

Product specification and dimensions

Condensate Drain Series EASYDRAIN

Type ED1000-O

Magnetically operated zero air loss
condensate drain

Maximum drainage capacity

Inlet connection

Outlet connection

Minimum system pressure

Maximum system pressure

Minimum medium temperature

Maximum medium temperature

Valve orifice

Type of operating valve

Valve seals

Housing material

Unlimited filter draining capacity 1/2"

BSP or NPT (please specific)

1/8"

0 bar

16 bar

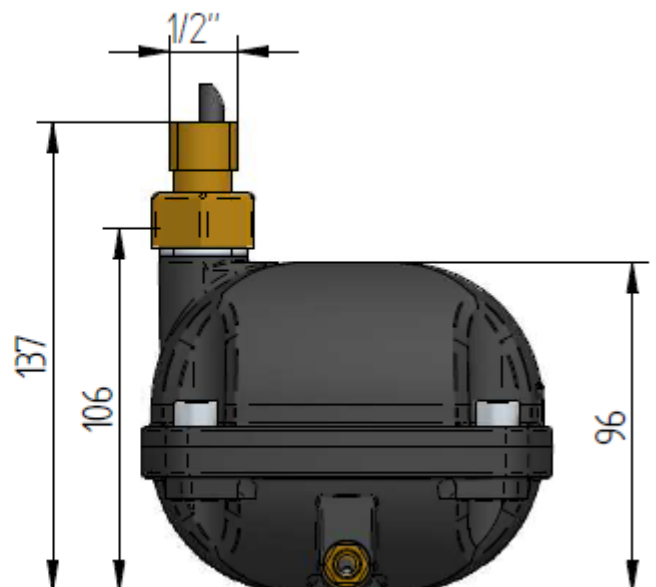
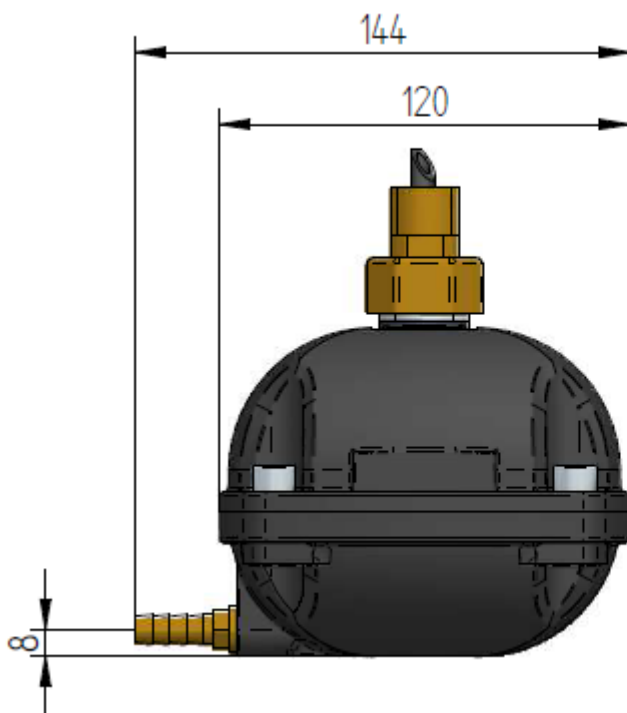
2° C

50° C

2.0 mm

Stainless steel direct acting valve
assembly Viton (FPM)

Corrosion resistant Aluminium (EP
coated)



pure! GmbH
Im Dachsstück 15, D-65549 Limburg
Telefon: +49 6431/4961240
Telefax: +49 6431/4961241
E-Mail: support@pure-gmbh.com