



PHB Single and Demi Filter Housing

Air / gas filtration

- Flow efficient range of air / gas housings specifically designed for food and beverage applications
- Demi (TRUESEAL) and K-30" (226) housings
- Designed for gas filtration, includes plenum chamber for condensate handling
- Full material traceability
- Food grade compliance to EC1935/2004



Specifications

Materials of Construction

Housing: 316L/1.4404

Surface Finish

Internal: Mechanical polishing <math><0.8\mu\text{m Ra}</math>
External: Mechanical mirror polishing

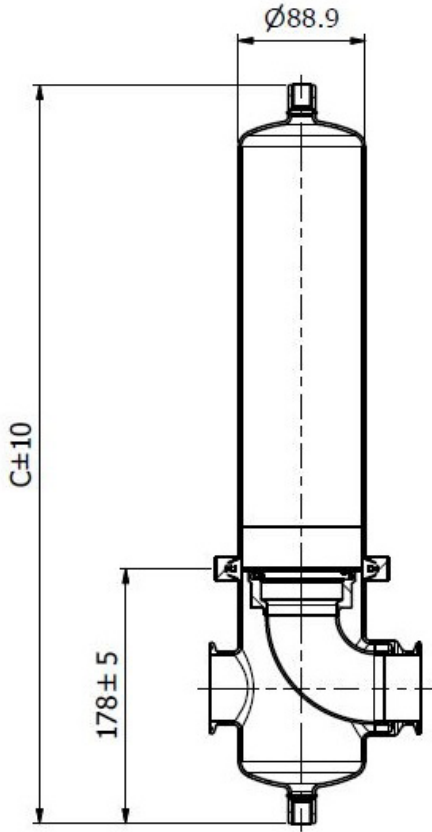
Cartridge Socket: C style (226), TRUESEAL
Number of Cartridges: 1

Technical Design Data

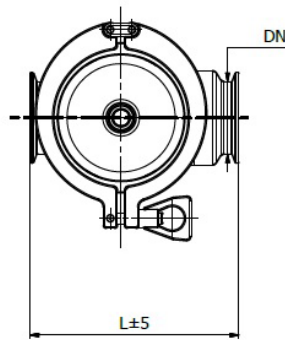
Directive: PED 2014/68/EU
ATEX 2014/34/EU
PED Category: Demi, K-20 - SEP (ART 4.3)
30" - CAT 1
PED Fluid Group: PHB Demi, Group 1&2
PHB K-30", Group 2 only
PED Fluid State: Gas
ATEX Regulation: Group 2, CAT 2, Gas & Dust
Fluid GR IIC, Zone 1 & 21
Design Pressure: -1 to 10 bar @ -20°C to 150°C

Certification: Supplied as standard with IOMI and vessel inspection certificate

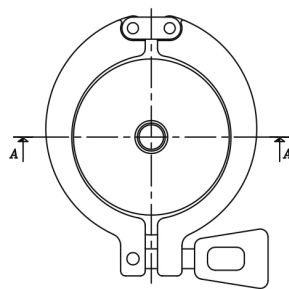
Dimensions



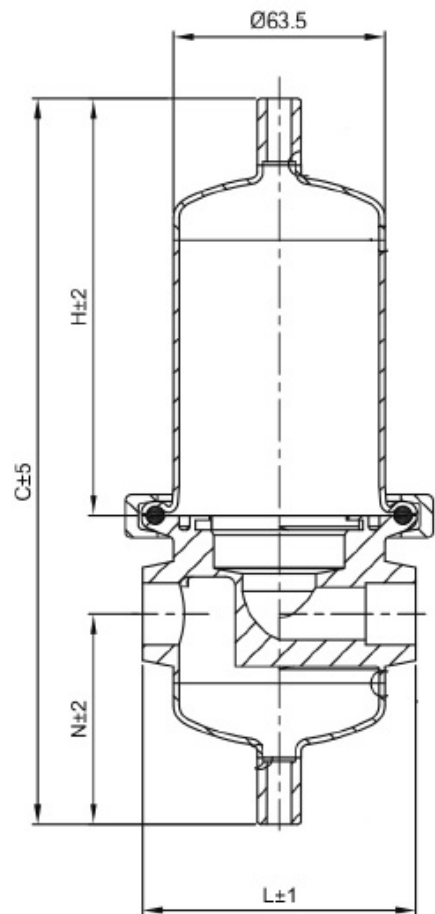
Model	K	10"	20"	30"
Cartridges number x Height (inches)	0.1 x 05"	01 x 10"	01 x 20"	01 x 03"
PED category	Art. 4.3	Art. 4.3	Art. 4.3	I
C mm (with vent)	380	500	750	1000
Total vessel volume litres	2.2	3.0	4.0	6.0
Bowl weight kg	0.7	1.1	1.9	2.7
Total net weight kg	2.6	3.0	4.0	5.0
Total weight packed kg	3.6	4.0	5.0	6.0



	Clamp ASME BPE	Weld ASME BPE	DIN11851
L mm (1.5"/ DN40)	139	262	188
L mm (2"/ DN50)	148	278	201



	Dimensional Data			
	BSPF 1/2"		BSPF 1.0"	
PED Category	Art 4.3		Art 4.3	
Cartridge height	2.5"	5"	2.5"	5"
C (mm)	198	254	212	268
H (mm)	111	167	111	167
N (mm)	59	59	67	67
L (mm)	82	82	92	92
Volume (Litres)	0.32	0.48	0.34	0.50



Parker has a continuous policy of product development and although the company reserves the right to change specifications, it attempts to keep customers informed of any alterations. This publication is for general information only and customers are requested to contact our sales department for detailed information and advice on a products suitability for specific applications. All products are sold subject to the company's standard of sale.

Ordering Information

PHB Gas Housing

Code	Cartridge Number	Code	Socket	Code	Closure	Code	Vent	Code	Internal Roughness *	Code	Plugs
01	1 cartridge	7	C-Style (226)	C	Standard Clamp ⁽¹⁾	7	1/4" BSPF ⁽¹⁾	4	Ra <0.4 micron	1	With plugs ⁽⁴⁾
H				H	Double Bolted Clamp	3	1/4" NPTF ⁽⁷⁾ (via adaptor)	8	Ra <0.8 micron ⁽¹⁾		

Code	Pressure rating	Code	Length (Nominal)	Code	Gasket Material	Code	Drain	Code	Finishing	Code	Inlet / Outlet
0	10 bar ⁽¹⁾	K	5" (125mm) ⁽¹⁾	S	Silicone ⁽¹⁾	7	1/4" BSPF ⁽¹⁾	M	Mechanical polish ⁽³⁾	T015	Tri-Clamp ASME BPE 1.5" ⁽¹⁾
6	16 bar ⁽²⁾	1	10" (250mm) ⁽¹⁾	E	EPDM	3	1/4" NPTF ⁽⁷⁾ (via adaptor)			T020	Tri-Clamp ASME BPE 2" ⁽¹⁾
		2	20" (500mm) ⁽¹⁾	V	Viton					A150	1.5" Flange ANSI 150 ⁽⁵⁾
		3	30" (750mm)	P	FEP enc. Silicone ⁽²⁾					A200	2" Flange ANSI 150 ⁽⁵⁾

Code	Inlet / Outlet
B015	1.5" BSP Female
B020	2" BSP Female
D040	DIN 11851 DN40 Male Part
D050	DIN 11851 DN50 Male Part
E040	DN40 Flange EN1092-1 PN16
G150	1.5" Flange ANSI 300
G200	2" Flange ANSI 300
H040	DN40 EN1092-1 PN25 Flange
N015	1.5" NPT Female
N020	2" NPT Female
W038	Weld ASME BPE 38.1 x 1.65mm
W051	Weld ASME BPE 50.8 x 1.65 mm

PHB Demi Gas Housing

Code	Cartridge Number	Code	Socket	Code	Closure	Code	Vent	Code	Internal Roughness *	Code	Plugs
01	1 cartridge	T	Truseal (126)	C	Clamp ⁽¹⁾	7	1/4" BSPF ⁽¹⁾	8	Ra >0.8 micron	1	With plugs ⁽⁴⁾
B				B	Bolted Clamp	3	1/4" NPT ⁽¹⁾ (via adaptor)				
H				H	Double Bolted Clamp						

Code	Pressure rating	Code	Length (Nominal)	Code	Gasket Material	Code	Drain	Code	Finishing	Code	Inlet / Outlet
0	10 bar ⁽¹⁾	A	5" (125mm)	S	Silicone ⁽¹⁾	7	1/4" BSP ⁽¹⁾	M	Mechanical polishing	B005	BSP Female 1/2" ⁽¹⁾
6	16 bar ⁽²⁾	B	2.5" (65mm)	E	EPDM	3	1/4" NPT ⁽⁷⁾ (via adaptor)			B010	BSP Female 1" ⁽¹⁾
				V	Viton					N005	1/2" NPT (via adaptor) ⁽⁷⁾
				P	FEP+ Silicone ⁽²⁾					N010	1" NPT (via adaptor) ⁽⁷⁾

Code	Inlet / Outlet
A005	1/2" ANSI 150 ⁽⁵⁾
A010	1" ANSI 150 ⁽⁵⁾
E015	DN15 EN1092-1 PN16 Flange ⁽⁵⁾
E025	DN25 EN1092-1 PN16 Flange ⁽⁵⁾
G005	1/2" ANSI 300 Flange ⁽⁶⁾
G010	1" ANSI 300 Flange ⁽⁶⁾
H015	DN15 EN1092-1 PN25 Flange ⁽⁶⁾
H025	DN25 EN1092-1 PN25 Flange ⁽⁶⁾

* Internal roughness 0.8µm Ra is guaranteed on downstream only.

⁽¹⁾ Standard Configuration (offers better lead-time)

⁽²⁾ Requires double bolt clamp

⁽³⁾ Mechanical Polish is specified as Fine Brush Satin Finish (internal surfaces)

⁽⁴⁾ Plug gasket material only available as viton

⁽⁵⁾ Available on 10 bar option only

⁽⁶⁾ Available on 16 bar option only

⁽⁷⁾ Vent and drain are NPT only with NPT inlet and outlet

