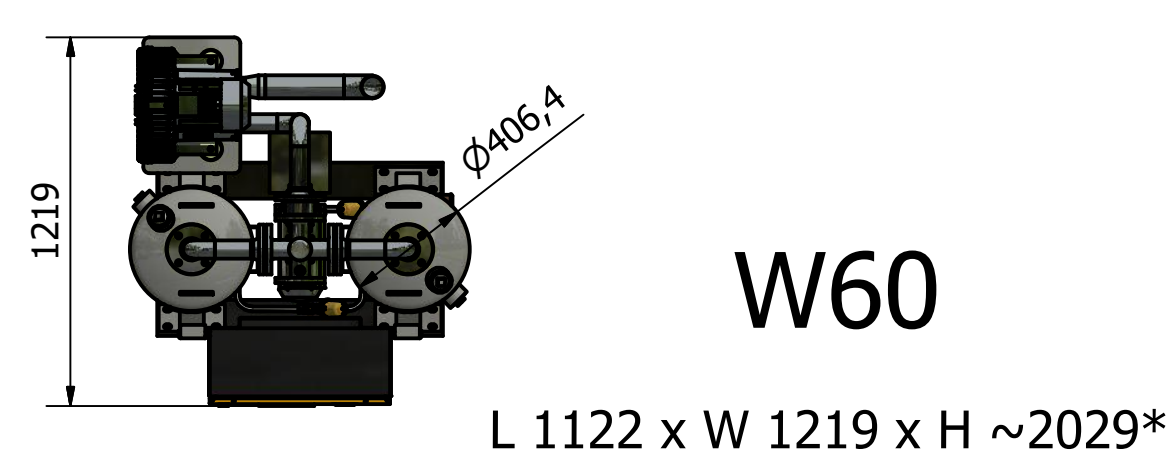


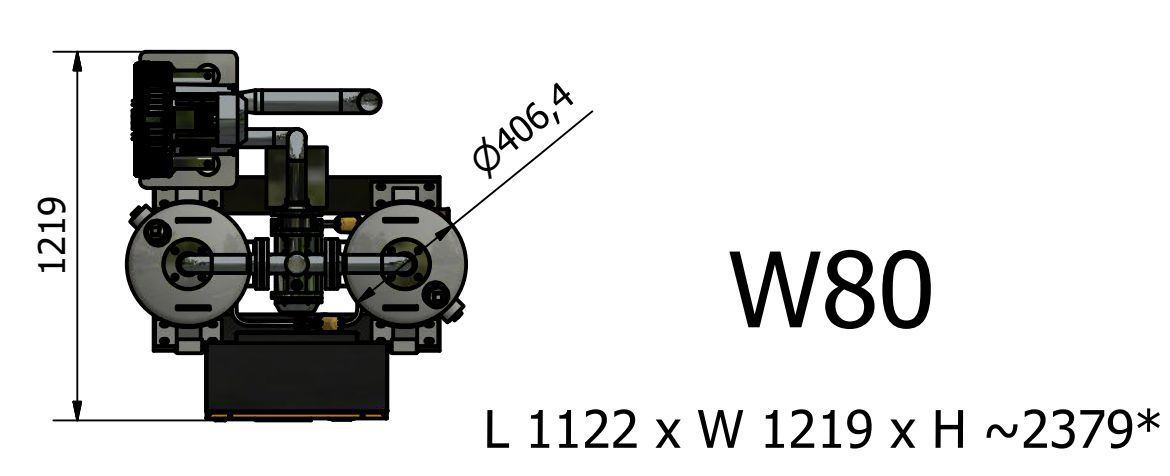
W45

L 1122 x W 1219 x H ~2029*



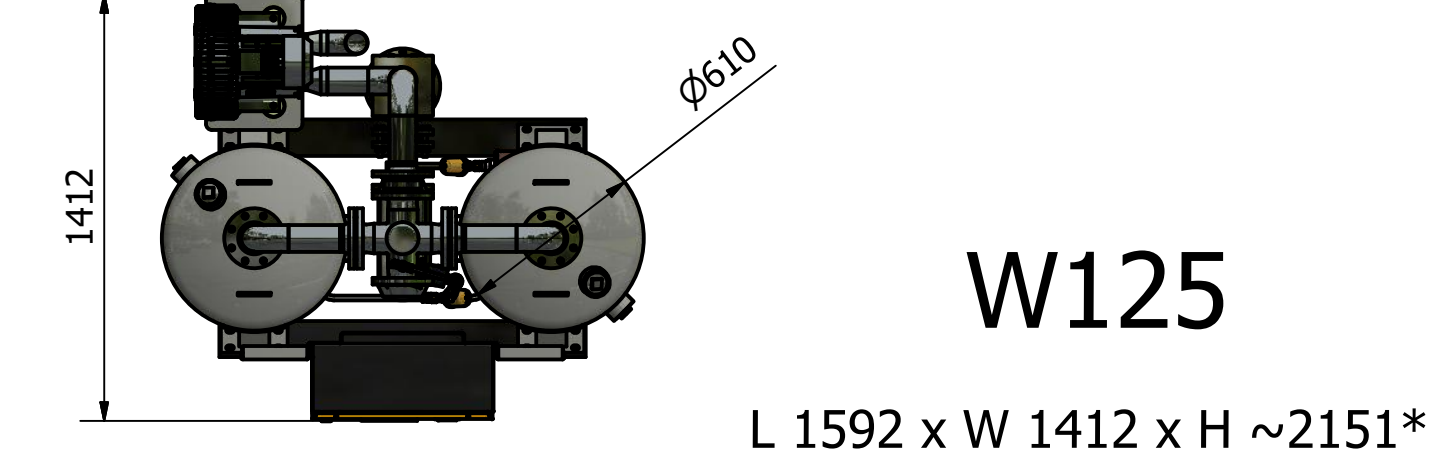
W60

L 1122 x W 1219 x H ~2029*



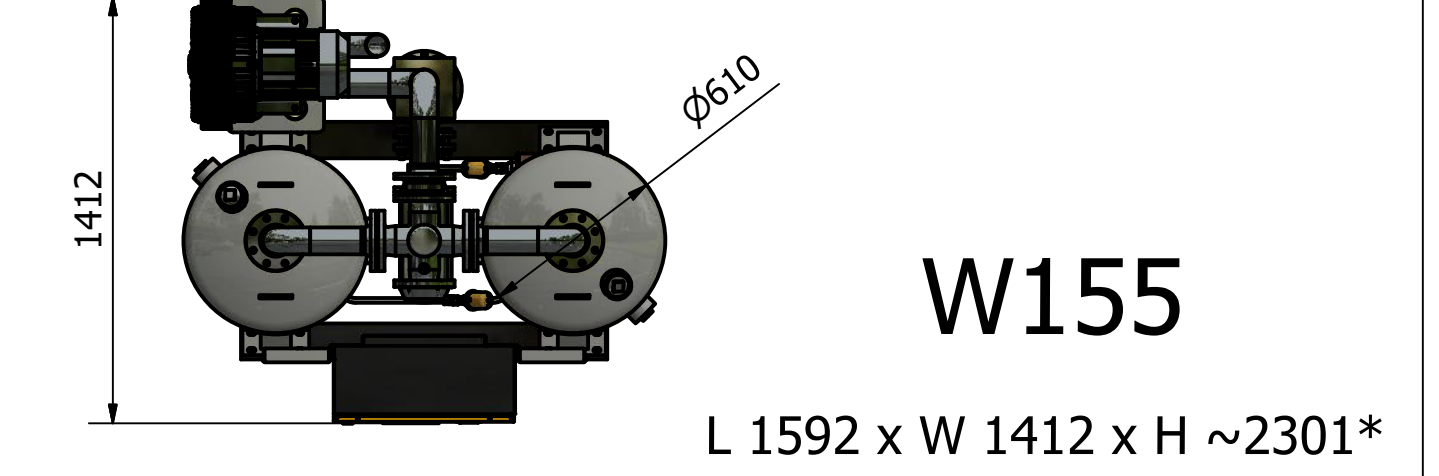
W80

L 1122 x W 1219 x H ~2379*



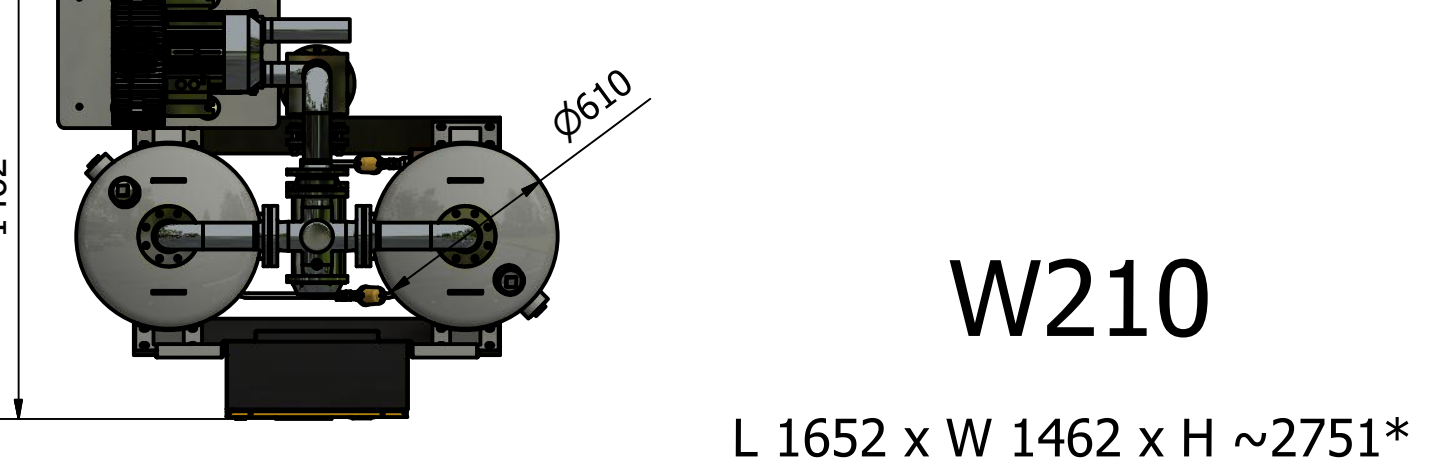
W125

L 1592 x W 1412 x H ~2151*



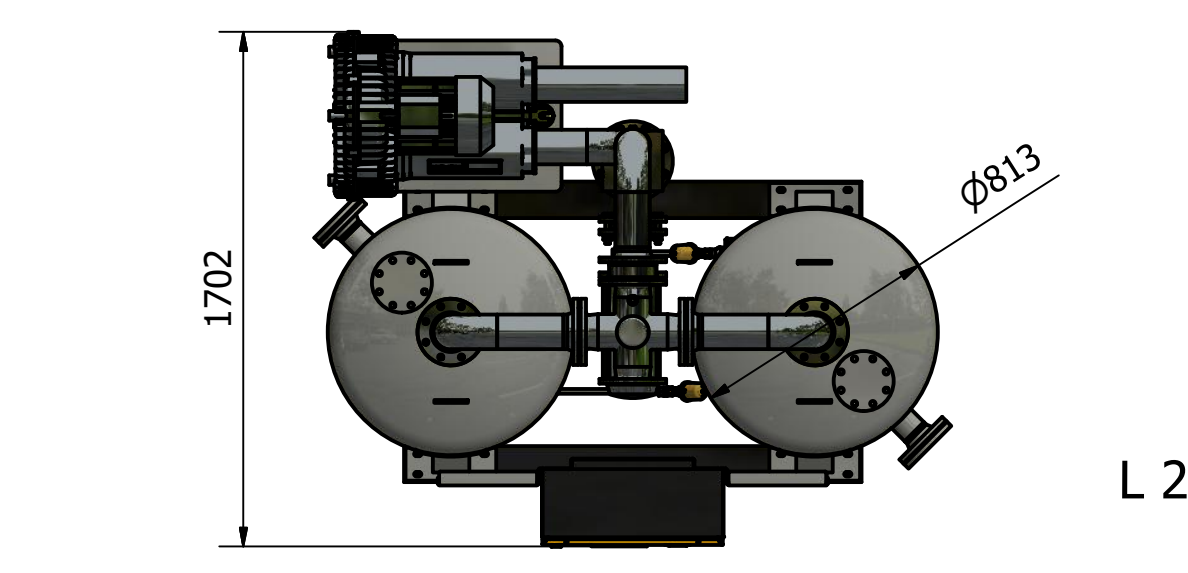
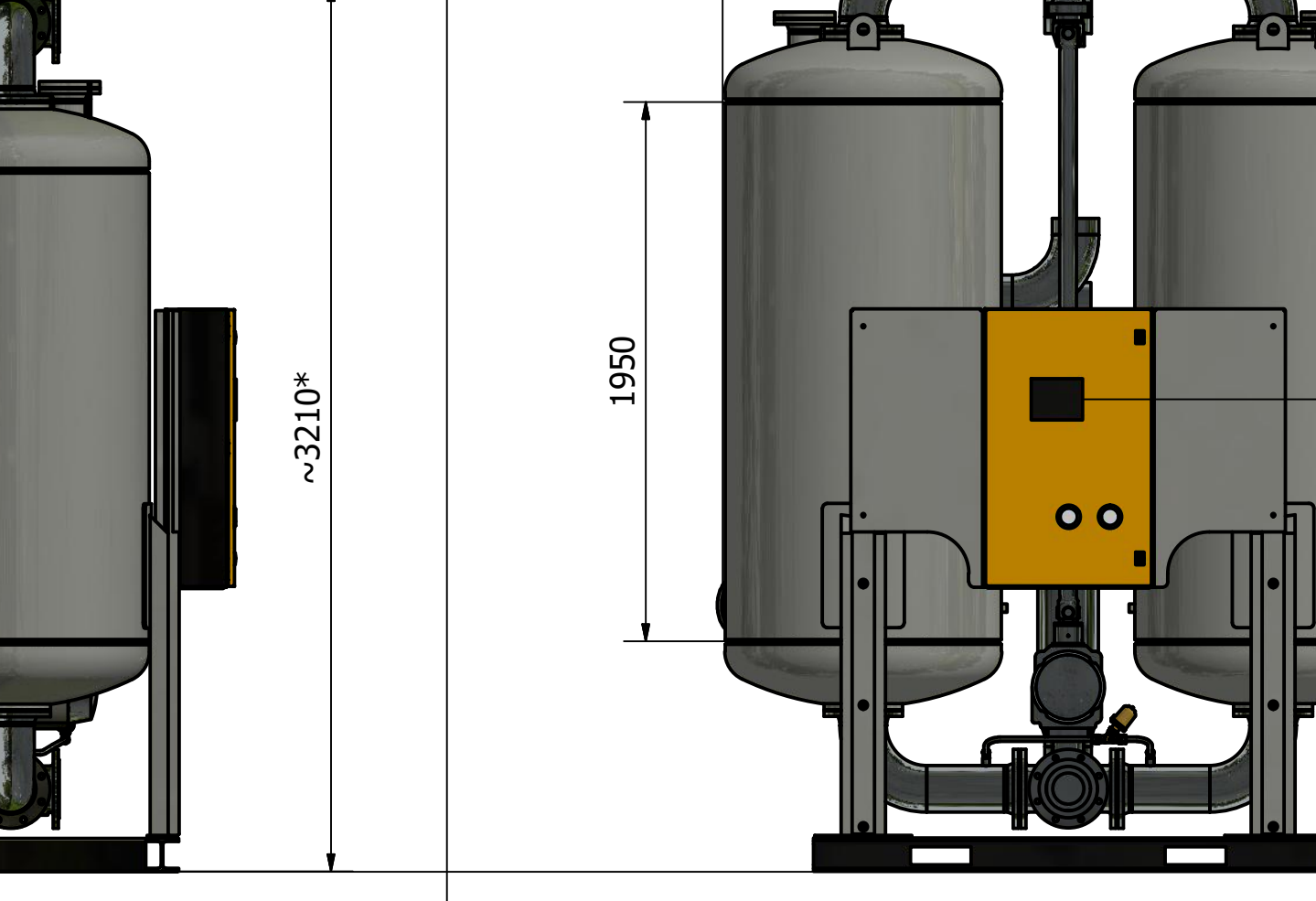
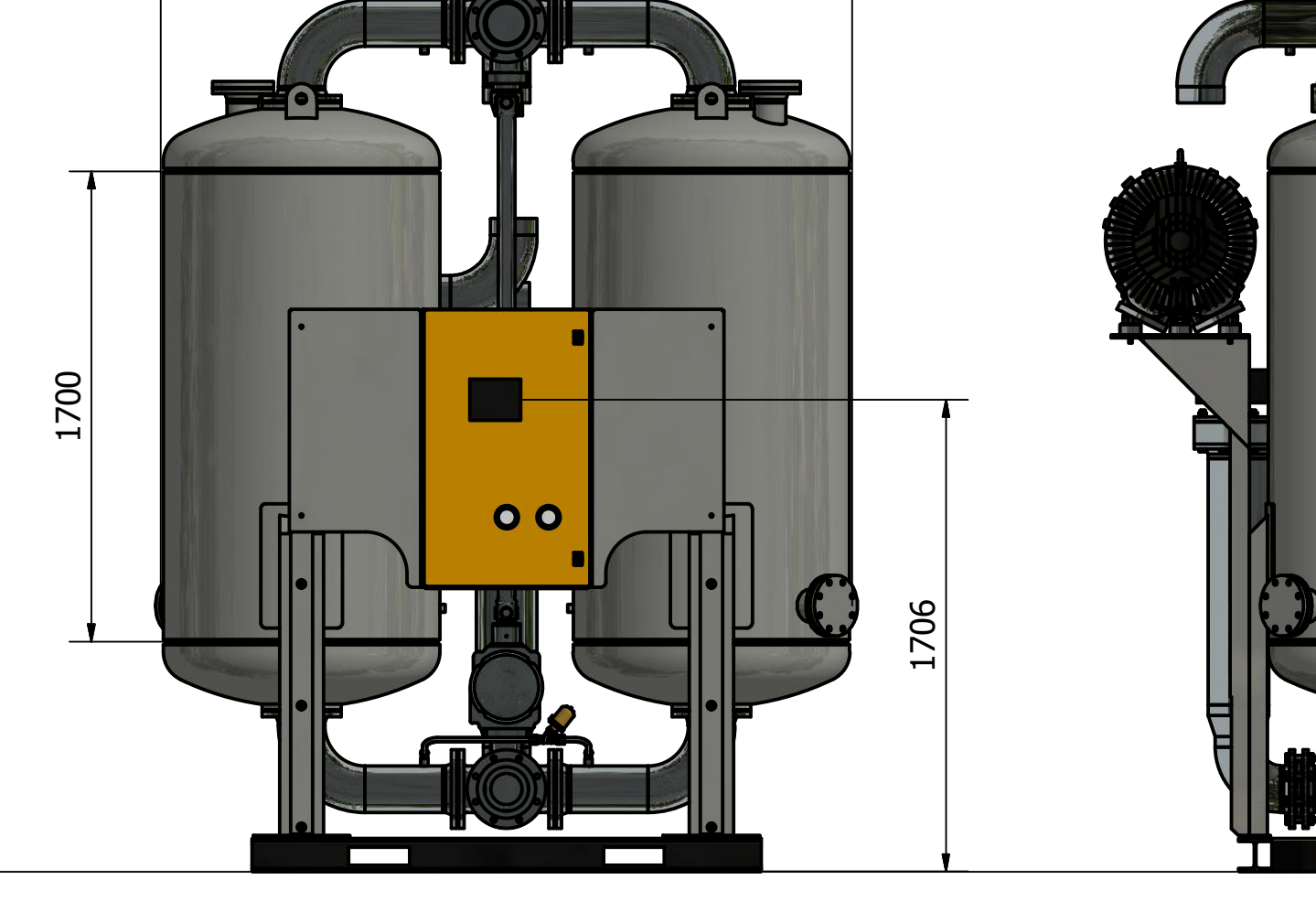
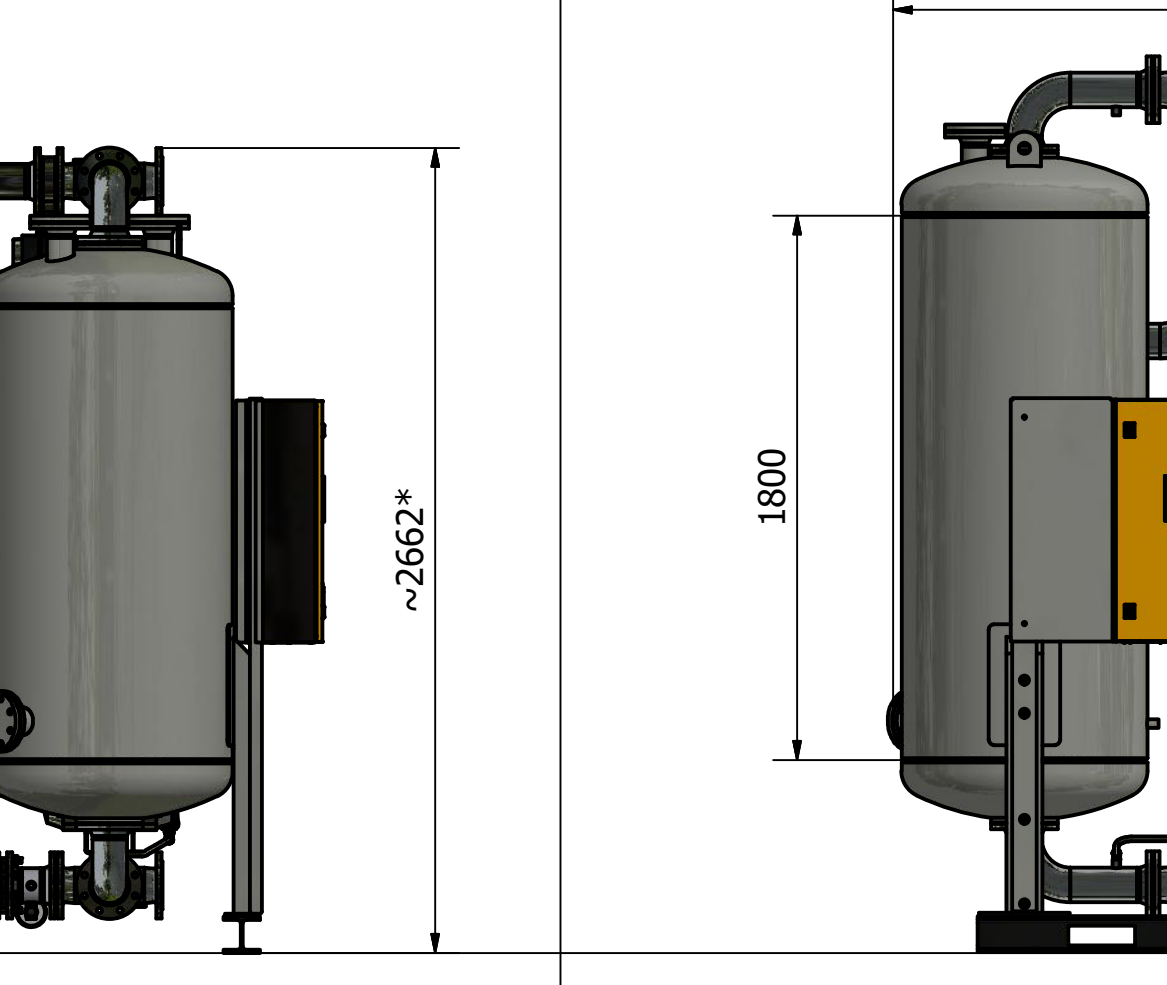
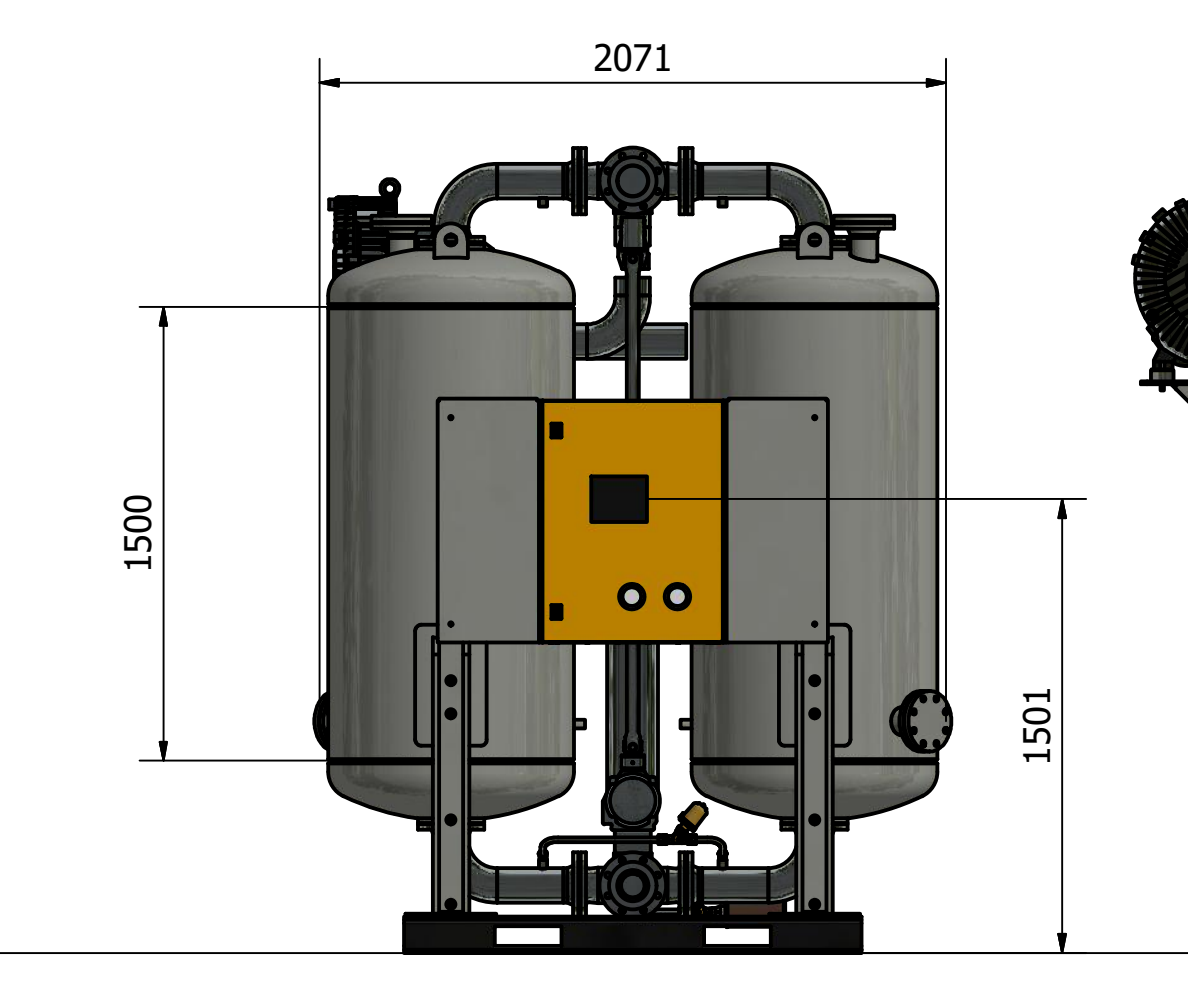
W155

L 1592 x W 1412 x H ~2301*



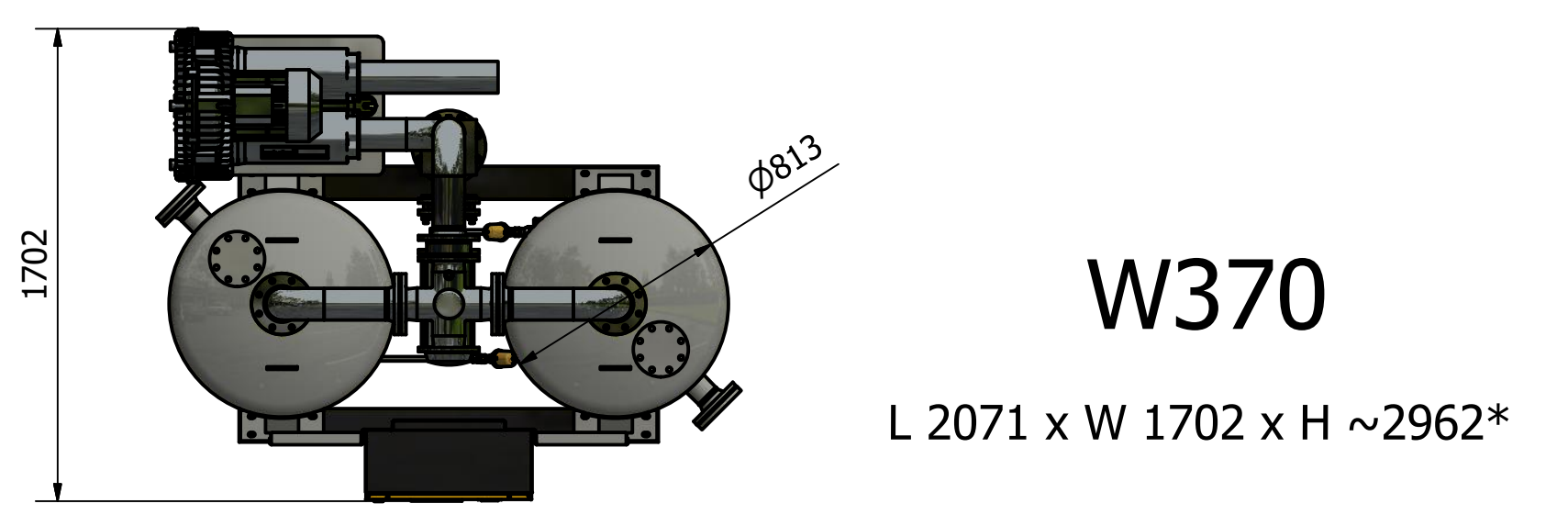
W210

L 1652 x W 1462 x H ~2751*



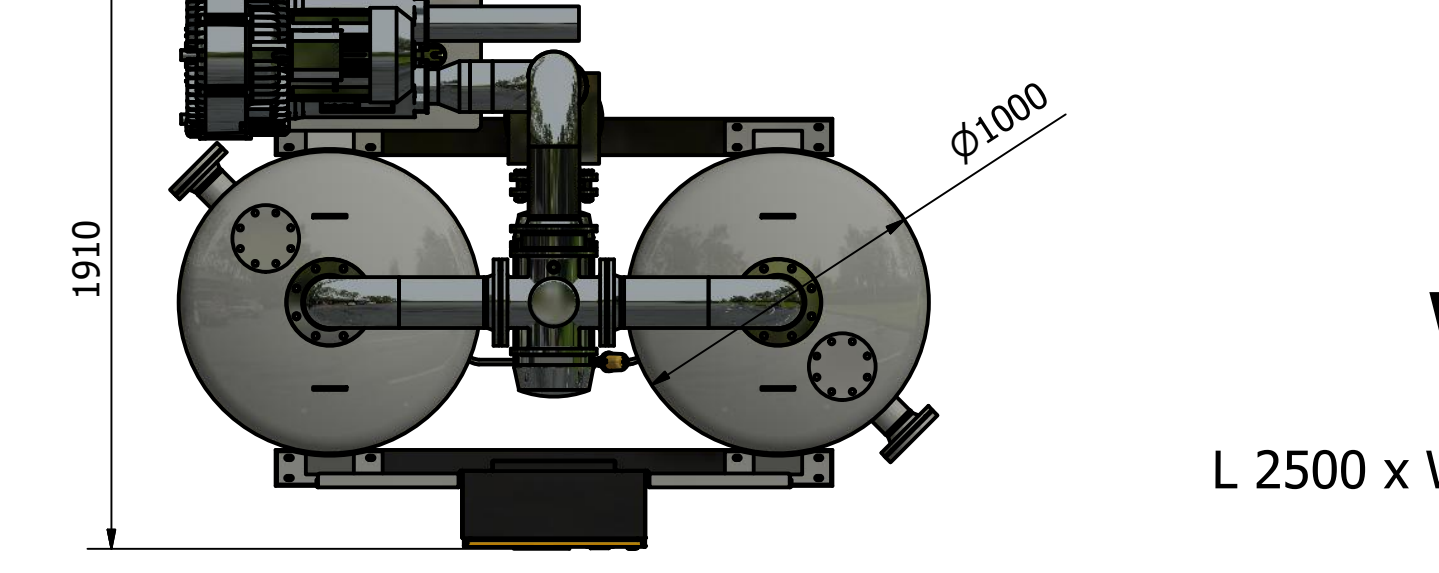
W310

L 2071 x W 1702 x H ~2662*



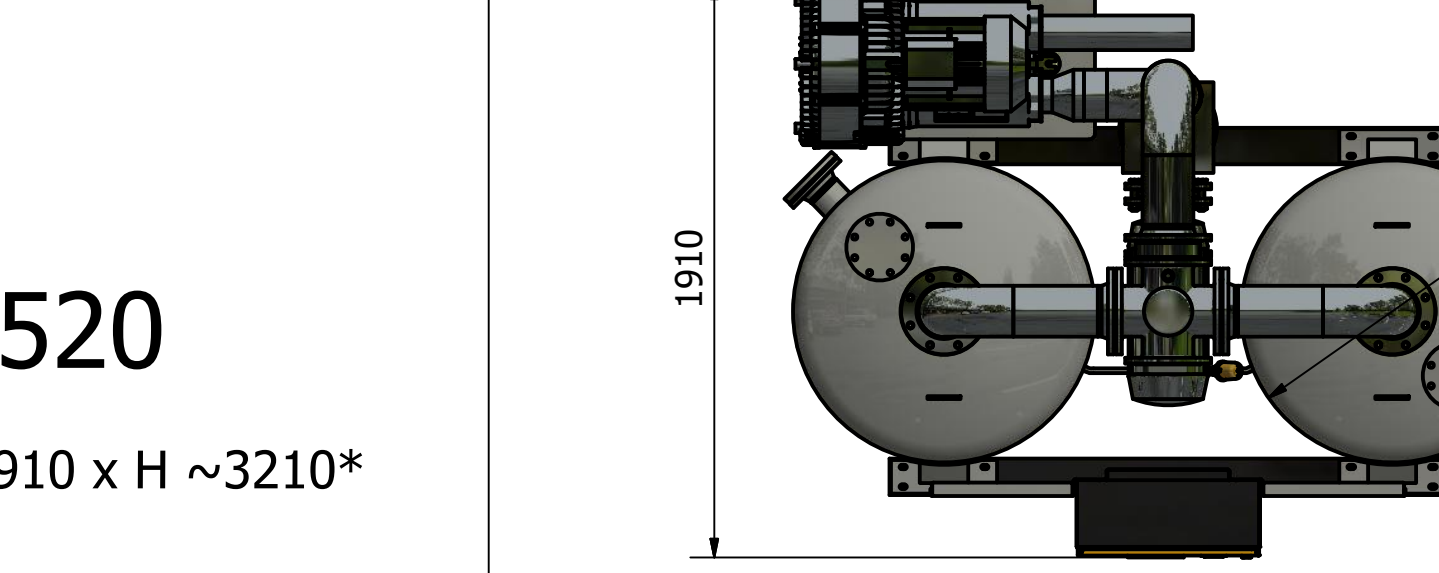
W370

L 2071 x W 1702 x H ~2962*



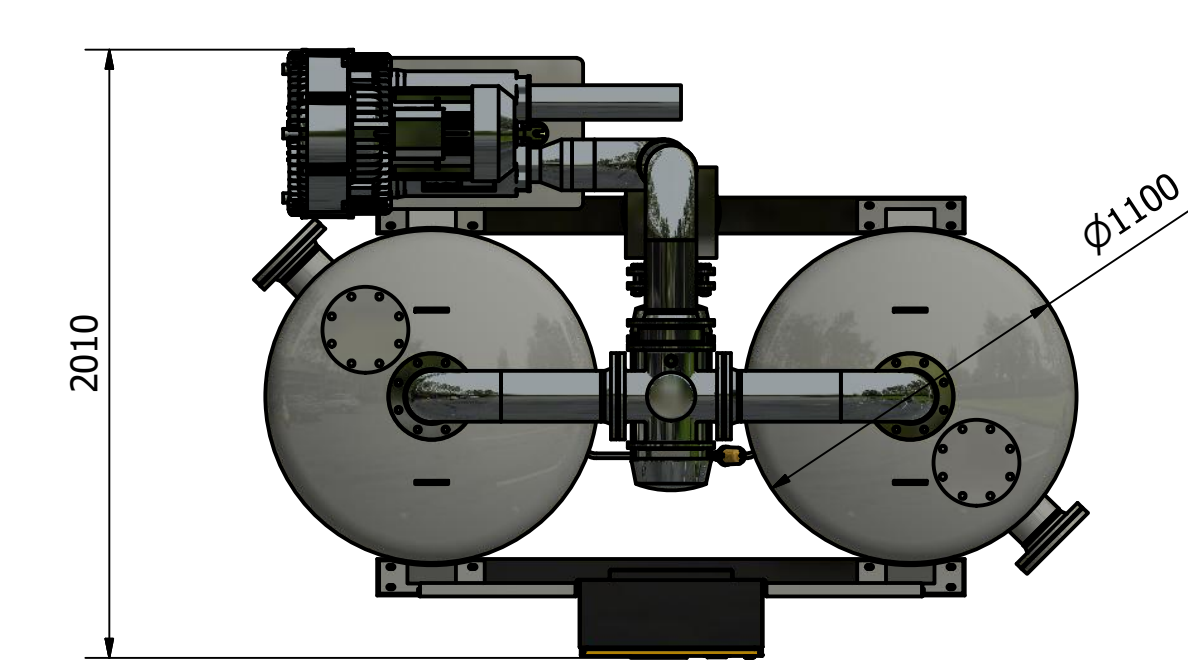
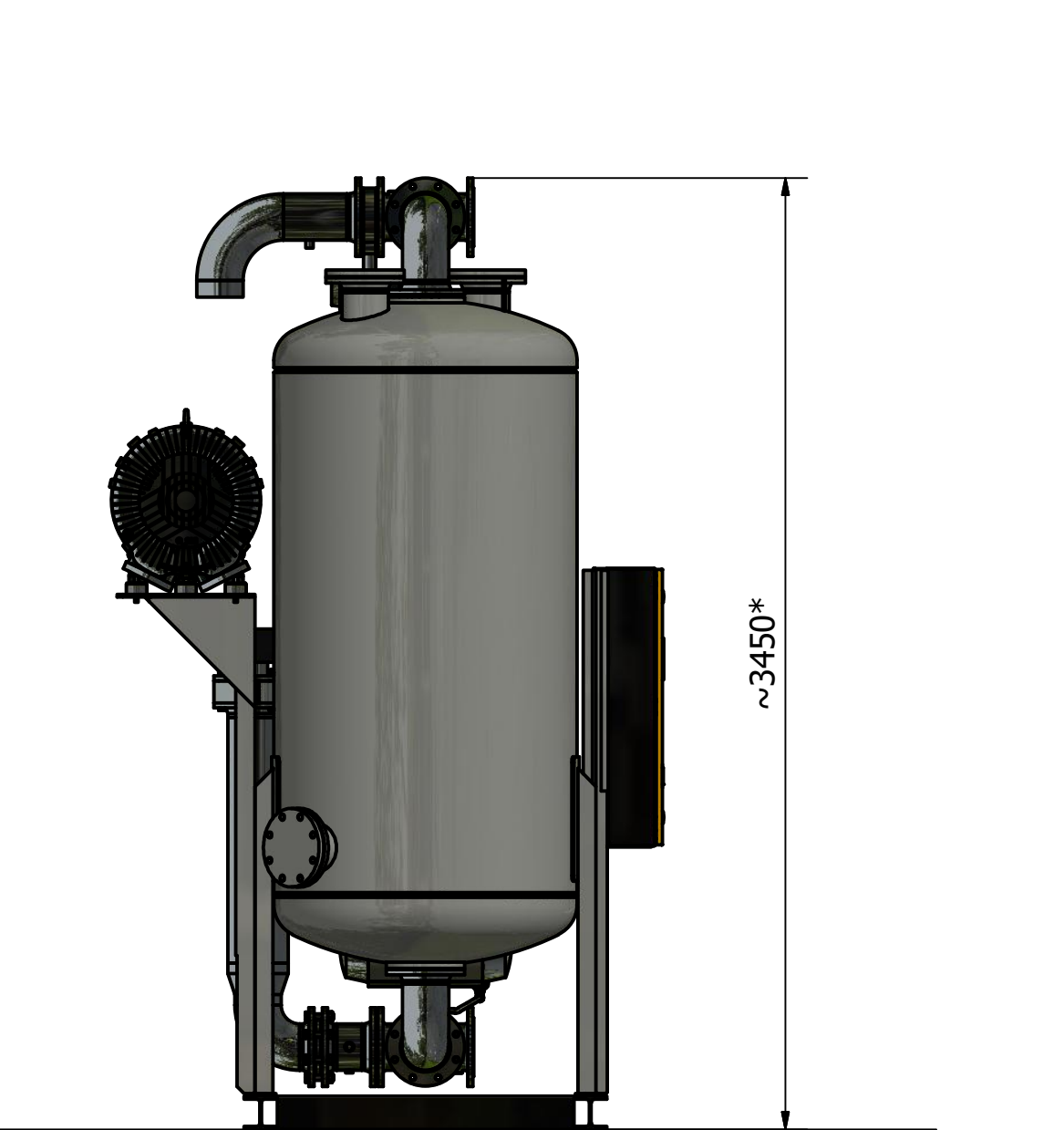
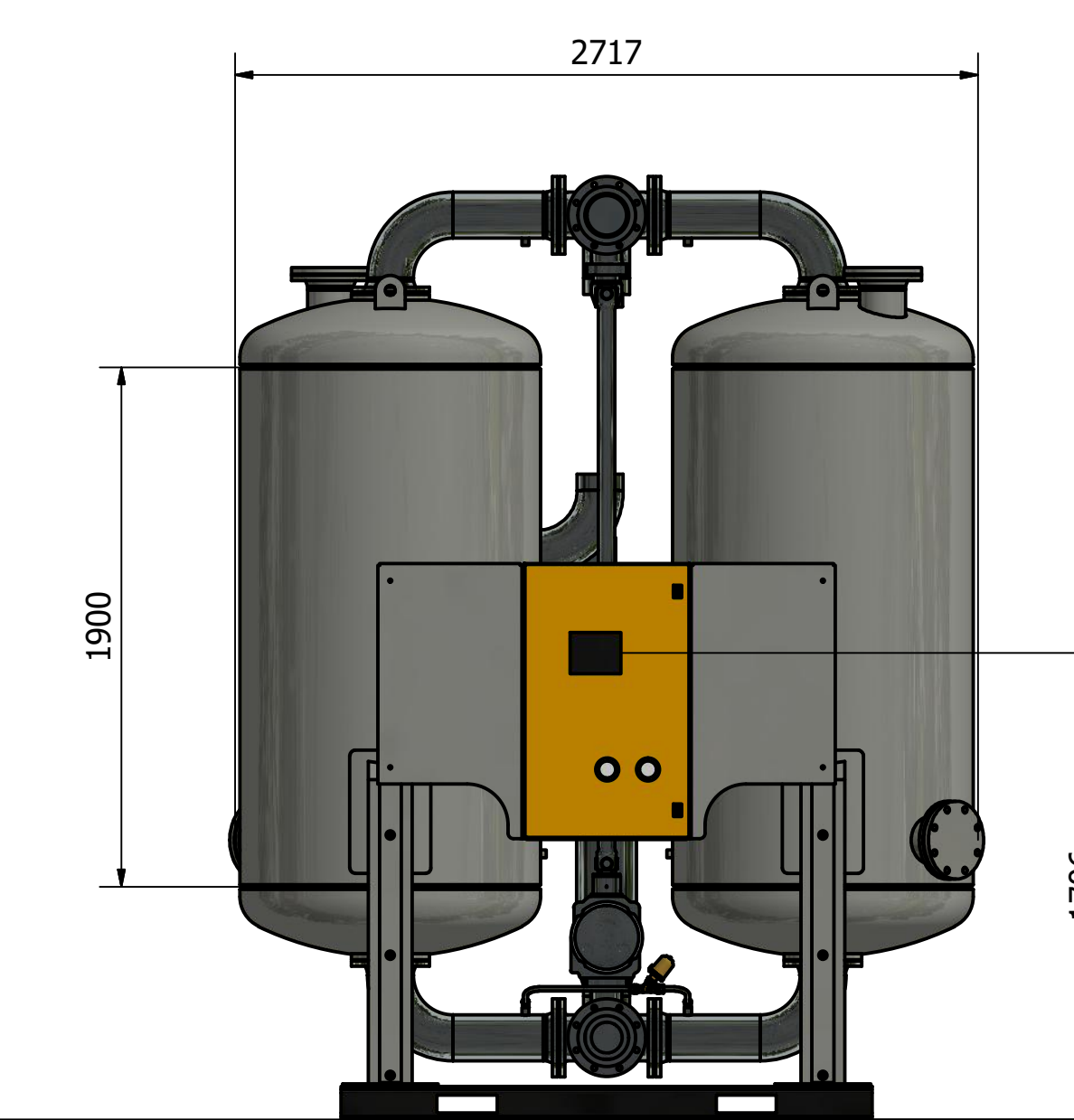
W520

L 2500 x W 1910 x H ~3210*



W615

L 2500 x W 1910 x H ~3460*



W750

L 2717 x W 2010 x H ~3450*

		Parker Hannifin Manufacturing S.r.l. Gas Separation and Filtration Division EMEA - Strada Zona Industriale* 2000 - S. Angelo di Po (PD) - ITALY	
Prospetto assiemi WVM 5th GEN			
LINE EN 22768 - mK UNI EN ISO 13628 - AE ISO 1302	Checked/Approved by ENOVA process	DATE 28/11/2012	DRAWING NO. MRO75398
ISO 128-30 Method 1	SCALE 1:25	MASS kg	REV. 1 / 1
MIM	MATERIAL	SPEC. AIR SYSTEMS	SHEET

*: Height may increase up to 30mm