

Product - Specification

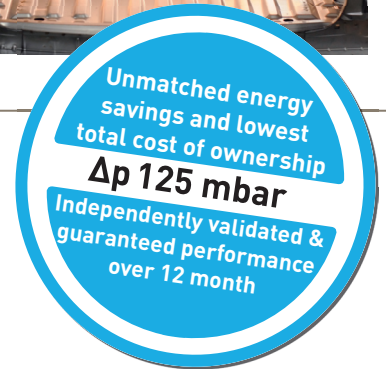
GL Plus Filter Series – Element Type ZLP



Parker domnick hunter, High-performance GL-series filters, containing ZL grade filter elements are designed as depth-filters for the reliable remove of 1 µm solid particulate and exhibit a filtration performance of 99,925% in compressed air or compressed nitrogen gas. Innovative filter housing and filter element design leads to optimum flow characteristics at minimum pressure drops: This results in cost savings throughout the operating lifetime of the filter element at reliable levels of filtration performance.

Highly-efficient, borosilicate nano-fibre media with a voids volume of 96% ensures high dirt-holding capacity at constantly low differential pressure. This efficiency is additionally supported by deep-pleating technology enabling 4.5 times more effective filtration surface area when compared with conventional filter elements.

The light-weight, compact construction, ensures a requirement for minimum clearance below the filter bowl for element removal. The simple method of installing the filter element into the filter bowl, in conjunction with a secure, airtight housing closure avoids installation errors and prevents by-pass between the contaminated and clean enclosures. The inlet-port is clearly marked by an aluminium feature above and below the opening signifying the correct direction of flow through the filter element.



Performance overview:

Model	Port Size ¹	Nominal ²	Element
GL2 ZLP	1/4	36	CP1008 ZLP
GL3 ZLPD	3/8	55	CP2010 ZLP
GL5 ZLPD	1/2	72	CP2010 ZLP
GL7 ZLPD	3/4	108	CP2020 ZLP
GL9 ZLPD	1	216	CP3025 ZLP
GL11 ZLPD	1 1/2	396	CP3040 ZLP
GL12 ZLPD	1 1/2	576	CP4040 ZLP
GL13 ZLPD	2	792	CP4050 ZLP
GL14 ZLPD	2 1/2	1188	CP4065 ZLP
GL17 ZLPD	2 1/2	1548	CP5065 ZLP
GL19 ZLPD	3	2232	CP5080 ZLP

1: Port size as per DIN ISO 228 (BSP-P) or ANSI B 1.20.1 (NPT-F)
2: Flow rates in m³/h related to 1 bar_a and 20 °C, compressed to 7 bar_e. Where the minimum operating pressure deviates, the actual flow rate must be multiplied with the respective correction factor f (see the respective table) to determine the required nominal flow rate and the appropriately required filter model.

Scope of supply:

Ready-to-install filter, complete with filter element and float drain PD15NO; optional available with differential pressure gauge ZD90GL, with manual drain HV15 or without a drain (in this case, not ready-to-install).

Product-Specification

GL Plus Filter Series – Element Type ZLP

Materials Housing

Upper/lower housing	Aluminium alloy with alochrome coating, outside powder coating
Sealing materials	NBR

Materials Element

Filter fleece	Borosilicate nanofibre, surface coated
Supporting net	Polypropylene
Outer sleeve	Polyester fibre, surface coated
Support screens	Stainless steel
End caps	Glass fibre reinforced polyamide
Adhesive	Epoxy resin
Sealing materials	NBR

Area of application Filter

Max. operat. pressure	16 bar _e	with float drain, with differential pressure gauge
	20 bar _e	with manual drain or without drain, without differential pressure gauge
Operating temperature	1.5 to 80 °C	with float drain, with differential pressure gauge
	1.5 to 100 °C	with manual drain or without drain, without differential pressure

Performance data Element

Flow medium	Compressed air and gaseous nitrogen
Filtration	Liquid and solid particulate
Flow direction	from inside to outside
Upstream filter required	WS (in case of wall flow)
Particle size	1 µm
Aerosol intake contents	40 mg/m ³
Residual aerosol cont.	0,5 mg/m ³
Filtration performance	99,925 %
Differential press., dry	< 70 mbar _e
Differential press., saturated	< 125 mbar _e

Quality assurance and warranty

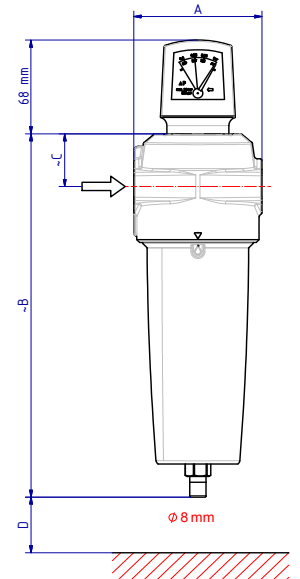
R&D, Manufacturing	DIN EN ISO 9001, DIN EN ISO 14001
Validation	ISO 12500-1, ISO 8573-2, ISO 8573-4, ISO 8573-1:2010 [2:-:3]
Element	12 months guaranteed filtration performance in line with filter element service-life
Housing	Corrosion warranty limited to the maximum housing lifetime of 10 years.

Product-Specification

GL Plus Filter Series – Element Type ZLP

Dimensions [mm] and weights [kg]

Size	A	B	C	D	Weight
GL2ZLP	67	207	23	40	0.55
GL3ZLPD	89	270	38	50	1.3
GL5ZLPD	89	270	38	50	1.3
GL7ZLPD	89	270	38	50	1.3
GL9ZLPD	130	309	46	70	3.0
GL11ZLPD	130	399	46	70	3.2
GL12ZLPD	164	471	57	100	6.9
GL13ZLPD	164	563	57	100	7.3
GL14ZLPD	164	563	57	100	7.1
GL17ZLPD	192	685	72	120	10.3
GL19ZLPD	192	875	72	120	15.3



Product key

Series	Size	Element type	Options ¹	Port ²	¹ deviating from the standard only ² or NPT-F only
GL	2 up to 19	ZLP	D H OA	-N	
Examples					
GL	7	ZLP	D		Standard design G3/4i (BSP-P) port with float drain, with differential pressure gauge
GL	3	ZLP	D H		G3/8i (BSP-P) port with differential pressure gauge and manual drain fitted
GL	17	ZLP	D OA	-N	2 1/2" NPT-F port, with differential pressure gauge, no drain (open port)

Replacement filter element

Type	Scope of delivery
CP1008ZLP up to CP5080ZLP	Contains respective spare element and suitable O-ring of the housing.

Correction factors f according to actual minimum operating pressure in bar_e

Minimum operating pressure in bar _e	1	1.5	2	2.5	3	3.5	4	4.5	5	5.5	6	6.5	7	7.5	8	8.5	9
Correction factor f	2.65	2.16	1.87	1.67	1.53	1.41	1.32	1.25	1.18	1.13	1.08	1.04	1.00	0.97	0.94	0.91	0.88
Minimum operating pressure in bar _e	9.5	10	10.5	11	11.5	12	12.5	13	13.5	14	14.5	15	16	17	18	19	20
Correction factor f	0.86	0.84	0.82	0.80	0.78	0.76	0.75	0.73	0.72	0.71	0.69	0.68	0.66	0.64	0.62	0.61	0.59

Example for a maximal flow rate of 285 m³/h for a minimum operating pressure of 4.3 bar_e:
285 m³/h x 1.32 = 376.2 m³/h – select size GL11 (see Table Performance overview).

Product - Specification

GL Plus Filter Series – Element Type ZLP

Accessories

Differential pressure gauge fitted			
Model	Function	suitable for	Product key
ZD90GL	Mechanical differential pressure gauge	GL3 up to GL19	D

Other differential pressure gauges available as loose accessories.

Drain fitted			
Model	Function	suitable for	Product key
PD15NO	Internal float drain	GL2 up to GL19	–
HV15	Manual drain	GL2 up to GL19	H
Open	Without drain	GL2 up to GL19	OA

Other drains available as loose accessories.

Mounting kits for drains				
Model	Filter port	Drain port	Suitable for filter	Suitable for drain
MK-G15-G10	G1/2a	G3/8a	GL2 up to GL19	Trap22
MK-G15-G10I	G1/2a	G3/8i	GL2 up to GL19	ED3002
MK-G15-G15	G1/2a	G1/2a	GL2 up to GL19	ED3004 up to ED3100

No mounting kit required for float drain ZB1D since G1/2a fitting is integrated.

Wall mounting (incl. combination accessories where applicable)		Fixing-kits	
Model	suitable for	Model	suitable for
BF/GL2	GL2, single stage	BFS/GL2/2	GL2, two-stage filter combination
BF/GL2/2	GL2, two-stage filter combination	BFS/GL2/3	GL2, three-stage filter combination
BF/GL2/3	GL2, three-stage filter combination	BFS/GL3-GL7/2	GL3 up to GL7, two-stage filter combination
BF/GL3-GL7	GL3 up to GL7, single stage	BFS/GL3-GL7/3	GL3 up to GL7, three-stage filter combination
BF/GL3-GL7/2	GL3 up to GL7, two-stage filter combination	BFS/GL9-GL11/2	GL9 up to GL11, two-stage filter combination
BF/GL3-GL7/3	GL3 up to GL7, three-stage filter combination	BFS/GL9-GL11/3	GL9 up to GL11, three-stage filter combination
BF/GL9-GL11	GL9 up to GL11, single stage	BFS/GL12-GL14/2	GL12 up to GL14, two-stage filter combination
BF/GL9-GL11/2	GL9 up to GL11, two-stage filter combination	BFS/GL12-GL14/3	GL12 up to GL14, three-stage filter combination
BF/GL9-GL11/3	GL9 up to GL11, three-stage filter combination	BFS/GL17-GL19/2	GL17 up to GL19, two-stage filter combination
BF/GL12-GL14	GL12 up to GL14, single stage	BFS/GL17-GL19/3	GL17 up to GL19, three-stage filter combination
BF/GL12-GL14/2	GL12 up to GL14, two-stage filter combination		
BF/GL12-GL14/3	GL12 up to GL14, three-stage filter combination		
BF/GL17-GL19	GL17 up to GL19, single stage		
BF/GL17-GL19/2	GL17 up to GL19, two-stage filter combination		
BF/GL17-GL19/3	GL17 up to GL19, three-stage filter combination		

EMEA Product Information Centre

Free phone: 00 800 27 27 5374

(from AT, BE, CH, CZ, DE, DK, EE, ES, FI, FR, IE, IL, IS, IT, LU, MT, NL, NO, PL, PT, RU, SE, SK, UK, ZA)

US Product Information Centre

Toll-free number: 1-800-27 27 537

www.parker.com