

*Spare parts*

*Polestar*

*PGN*

*(50/60Hz)*

*(Date 28.01.16)*



# Index

GENERAL TERMS OF SALES.....	2
SPARE PARTS PGN40-080 (50Hz).....	5
EXPLODED DRAWING PGN040 - 080.....	6
SPARE PARTS PGN110 - 450 (50Hz).....	7
EXPLODED DRAWING PGN110-180 (Ac).....	9
EXPLODED DRAWING PGN220-450 (Ac).....	10
SPARE PARTS PGN600-1100 (50Hz).....	11
EXPLODED DRAWING PGN600-1100 (Ac).....	13
EXPLODED DRAWING PGN 220-1100 (Wc).....	14
SPARE PARTS PGN40-070 (60Hz).....	15
EXPLODED DRAWING PGN040 - 070.....	16
SPARE PARTS PGN090 - 450 (60Hz).....	17
EXPLODED DRAWING PGN090-180 (Ac).....	19
EXPLODED DRAWING PGN220-450 (Ac).....	20
SPARE PARTS PGN600-1100 (60Hz).....	21
EXPLODED DRAWING PGN600-1100 (Ac).....	23
EXPLODED DRAWING PGN 220-1100 (Wc).....	24

**Introduction**

The following shall be regarded as the general terms of sale between Parker Hiross (Seller) and Purchaser. None of these terms may be added to, modified, superseded or otherwise altered by Purchaser, unless specifically agreed to, in writing and signed, by Seller. These terms shall, accordingly, supersede and modify any terms that may be contained in any letter or other from Purchaser. They also supersede any oral representations made by either party in connection with the transaction.

**Validity**

This "Parker Hiross Master Price List" cancels and supersedes all previous Parker Hiross Price Lists. Prices are valid starting from the date indicated in the Price List. This Price List is valid until written notice to the contrary, or the emission of a new Price List. Technical data contained in this publication is to be considered as indicative only. The manufacturer reserves the right to modify technical data at its own discretion and without prior notice.

**Quotation**

Seller has the right, at any time and even after the order, to make alterations to, or with draw (prior to order confirmation), its offers. Prices quoted shall always be regarded as indicative only.

**Acceptance of order**

Orders shall be regarded as accepted by Seller only after issuing the respective order confirmation. Seller's charges for cancelling booked and confirmed orders shall range up to 100% of the net order value, depending on completeness of the equipment and its reclamation value. Minimum accepted value for an individual order shall be Euro 200, or the equivalent in other currencies. Orders for lower values will be subject to a Euro 100 (or the equivalent in other currencies) order processing charge.

**Price**

Price shall be as stipulated in the order confirmation. All non Euro prices are nonetheless calculated from the Euro price, and then rounded to the nearest full digit. As a result there may be a minor difference between the listed and invoiced prices. In the event no price is stipulated, equipment shall be charged at Seller's prevailing Price list. Unless otherwise agreed, in writing, price shall be ex Seller's factory, with standard packing.

Seller reserves the right to modify prices at the confirmation of the order to Purchaser. If the confirmed price increase exceeds 5 (five) percentage points, Purchaser has the right to withdraw from the contract, upon written notice addressed to Seller within 2 (two) days from the date of the receipt of the communication concerning the price adjustment. Upon the expiration of such term, or with the acceptance of the goods' delivery by Purchaser, the adjustment is deemed to be accepted and binding between the parties.

The Price shall be valid for delivery as per the date agreed in the order confirmation. If Purchaser requests (in writing) any delay in shipping of the equipment, Seller will reserve the right to revise the price.

Changes to booked and confirmed orders shall be subject to a minimum net service charge corresponding to Euro 100 (or the equivalent in other currencies), to cover changes in documents. This charge may be increased, depending on order status and nature of requested modification.

**Delivery**

The delivery date shall be as indicated in the order confirmation. The delivery terms, indicated in the order confirmation, are to be considered as part of this General Terms of Sale. Acceptance of shipment by a common carrier or allocation of equipment to Purchaser shall constitute delivery. Thereupon responsibility shall pass to Purchaser, subject to Seller's right of stoppage in transit. Where a trade term has been agreed, it shall be interpreted in accordance with the INCOTERMS in force at time of contract. If no trade term is specifically agreed delivery shall be considered to be ExWorks. Unless expressly specified in the INCOTERMS, goods in transit always travel at Purchaser's risk. Purchaser will bear all costs involved in removing the goods from Seller's premises. Delivery of all or any part of the order is contingent upon Seller's ability to obtain supplies, raw materials and service through its regular sources of supply. Should Seller, temporally or permanently, be unable to deliver the products for reasons not imputable to the same such as force majeure, (e.g. earthquake, strikes, lockout, lack of means of transportation, authority ordinance, floods, etc.) it will be released from all delivery and indemnification obligations towards Purchaser for the entire duration of the period in which the impediment and its effects last. Upon the occurrence of such impediment, Seller will promptly inform Purchaser thereof. In the aforesaid cases, delays in delivery shall not give any right to Purchaser to claim for damages or to cancel the order. Delivery time shall commence from the date of the order confirmation, but not before Seller having received, from Purchaser, all necessary drawings and approvals, if any, or down payment. Partial deliveries shall not be refused by Purchaser and will be paid for at contract prices and terms. If the delay, not caused by an event of force majeure, exceeds 90 (ninety) days, Purchaser will be allowed to cancel the outstanding part of the order. Each party may terminate the purchase agreement in the event that its effects, due to events mentioned above, becomes excessively onerous and therefore the contract is no longer of interest for such party. If Seller performs the installation of goods, Purchaser will have to take care of and preserve the delivered goods, until the completion of installation. Purchaser shall pick up the purchased products at the dates agreed, unless otherwise agreed between the parties. Purchaser's requests in this regard shall be taken into consideration by Seller, provided that Purchaser has made its request at least 30 (thirty) days before the original delivery date. If Purchaser does not pick up the purchased goods at the agreed date, Seller will have the right to invoice and receive payment for any equipment not picked up. The costs of storage will be born by Purchaser.

**Reserve of property**

All goods supplied shall remain property of Seller until such time as full payment will have been received from Purchaser in settlement of all pertaining Seller's invoices. Cheques and bills of exchange issued by Purchaser will be considered as payment only after having been cashed by Seller's bank.

### **Claims and complains**

Purchaser shall inspect the delivered goods and notify Seller, in writing and within 8 (eight) days from the delivery date, of defects found or that may be found upon a preliminary inspection, or any other claim related to the goods. Should Purchaser fail to make such notification, the goods shall be deemed as definitely accepted and in compliance with what set forth in the contract, without being prejudicial to the possibility to report any hidden defect, assuming this is within the warranty period; in any case the notification of the defects must be communicated within 8 (eight) days from the discovery thereof. If the received goods have been damaged during transit, Purchaser will have to highlight this on the C.M.R. or on the Delivery note. Expenses related to the shipment of any eventual returns shall be borne by Purchaser. Possible objections concerning part of the goods delivered, or a single shipment of the same, shall have no effect on the rest of the order, nor on the payment of goods already received and not promptly challenged.

### **Payment**

Payment shall be upon those terms agreed to by Purchaser and Seller. In the event there is no agreement, payment shall be by Cash in Advance. Failure by Purchaser to effect payment at due date will result in Seller cancelling all express warranties, not with standing taking recourse to remedies provided by the law. In case of delayed payment, Purchaser will automatically be charged interest calculated pursuant to the Italian decree no. 231/2002, without the need for any notice of default. In the instance of equipment held subject to Purchaser's instructions, equipment for which Purchaser has failed to supply shipping instructions, or in any case where Seller, in its own sole discretion, determines any part of the equipment purchased by Purchaser should be held for Purchaser's account, Seller may invoice the equipment and Purchaser agrees to make payment at the maturity of the invoice so rendered. Equipment invoiced held at any location, for whatever reason, shall be at Purchaser's risk and Seller may charge for insurance and storage at prevailing rates.

### **Resolution of contract**

The terms of payment are fundamental elements, and any default in payments or any unilateral change constitutes the right of withdrawal for Seller to stop deliveries and consider any supply agreement as rescinded without notice, intimation or other. The same is valid for Seller in the event of changes in the economic-property conditions of Purchaser (Art. 1461 C.C.).

### **Drawings and installation details**

Drawings, models and instructions for the installation of equipment supplied are the exclusive property of Seller; Purchaser cannot pass these to any third party. Seller shall not warrant the correctness of drawings which have not been certified by Seller. Certified drawings shall only be available upon written request from Purchaser, and shall be charged at a price to be agreed upon. Seller reserves the right to, at any time prior to delivery of certified drawings to Purchaser, make any changes in model or design of equipment, including components thereof.

### **Warranty**

Seller warrants to Purchaser all equipment to be free from defects in material and workmanship for a period not exceeding 1 year from the date of installation of the equipment, but for a maximum of 18 months from the shipping date. This obligation is limited to repairing and replacing, at Seller's factory, any part found faulty during said period, with the following limitations:

- a) Warranty is effective only if equipment has been installed, commissioned and maintained in accordance with Seller's instructions (Parker Hiross User Manual) and, where necessary, connected to adequate electric, water and drain services, cleaned out correctly and placed into operation by a qualified technician. The effects of erosion, corrosion and normal wear-and-tear are specifically excluded from this warranty.
- b) Seller reserves the right to, for specific products grant warranty terms only on the condition that Commissioning has been performed by Seller's Service personnel or, failing this, Service personnel authorised by Seller beforehand. In the latter case the relevant Commissioning Report must be compiled by the authorised Service personnel and sent to Seller. Failure to adhere to this procedure will result in loss of warranty.
- c) Seller reserves the right to replace a product under warranty, and will accept no costs as to the removal and installation of the products.
- d) Seller reserves the right to change or improve the design of its products without assuming any obligation to modify any product previously manufactured.
- e) Poor maintenance or improper use will result in loss of warranty.
- f) Seller shall not assume responsibility for any labour expenses incurred by Purchaser in replacing or changing defective parts or equipment covered by this warranty.
- g) This warranty is granted to original Purchaser only and cannot be transferred, unless authorised in writing by Seller. Purchaser shall notify Seller of a defect within maximum 8 (eight) days from the discovery thereof, and in no case later than 8 (eight) days after expiry of the above stated warranty. Purchaser will notify fault by filling out the "Passport", as distributed by Seller.

Any claims against this warranty must be substantiated at the time the fault arises, and it will be at Seller's discretion to:

- h) Supply replacement parts ex-works Seller's factory,
  - or ii) repair parts locally, with travel/living/labour expenses at Purchaser's charge,
  - or iii) authorise Purchaser to have components repaired locally,
  - or iv) authorise Purchaser to buy replacement parts locally,
  - or v) require Purchaser to return damaged parts to Seller, prepaid, for repairs.

Seller has the right to ask for components, claimed as being faulty, to be returned to its factory, transport prepaid, for inspection, or to request Purchaser to keep these parts in stock for eventual inspection by Seller's representative. Seller is not obliged to make any guarantee payments before having had the opportunity to verify said claim in either manner described above. Any requests from Purchaser founded on the warranty clause or on asserted non-fulfilment thereof on the part of Seller or others shall not in any manner authorise Purchaser to delay or modify the agreed payment terms.

**Warranty waiver**

This is a written agreement between Seller and Purchaser, representing an alternative to the Warranty described previously. Should this agreement exist, Seller will grant Purchaser a 2% discount (included in the discount communicated by Seller to Purchaser) on the price of the products; in exchange Purchaser accepts to take over all costs which, according to the previous chapter, should be covered by Seller. QSR and LCD dryers, and eventually special products not listed in the present Master Price List, do not fall under the warranty waiver agreement, remaining with the previously described warranty. These costs include (but are not limited to):

- a) Costs arising from machine break down or malfunctioning due to faulty components (i.e. electrical defects on compressors, faulty pressure switches, defective control panels, etc.).
- b) Costs resulting from repair of isolated faults, not detected during quality controls, or any related secondary damage (i.e. incorrect wiring, leaks, etc.).

The only costs to be considered not covered by Warranty Waiver discount are the costs connected to rectifying clear defects resulting from design faults in equipment, as shown by recurring defect patterns on an international scale. In this case Seller will recognize to Purchaser the cost ExWorks of the faulty component, plus the labour cost to repair the equipment. Seller will evaluate the labour cost on a case-by-case basis.

**Liability for damage to property or other caused by goods**

Purchaser shall indemnify and hold Seller harmless for any damage caused by equipment to:

- a) any (movable or immovable) property, where damage occurs while equipment is in Purchaser's possession, or
- b) products manufactured by Purchaser, or products of which Purchaser's products form a part, or for loss or damage to any property, where damage is caused by these products because of properties in the equipment.

Seller shall under no circumstances be liable for loss of production, loss of profit, or any other consequential economic loss. The above is valid both within and after the warranty period.

**Invalidity of provisions**

If any of these terms shall be held invalid, illegal or unenforceable, the validity of remaining provisions shall not in any way be affected or impaired thereby.

**Individual contracts**

For all individual contracts stipulated between Seller and Purchaser, any terms within these General Terms of Sale which are not covered in the individual contract will remain valid.

**Privilege**

Seller reserves the faculty to, in case of extended payment (even partial), make use of the right of privilege (art. 2762 C.C.). The right of privilege maintains its full validity even in the event of a change in the agreed payment conditions or concessions or extension, given that these events, under explicit agreement of Purchaser, do not constitute an extension of credit, with the present terms of sale remaining unchanged. In any case, the effects of Purchaser do not affect the credit situation and are reserved and accepted for cash convenience and without any prejudice of Seller's rights.

**Intellectual property**

Trademarks, commercial names or other distinctive marks on the goods are of exclusive property of Seller, and will not be altered, changed, removed or cancelled in any manner. Purchaser can use, to the limited purpose of resale of the goods to the public, the trademarks, commercial names and other distinctive marks, as well as other industrial exclusive rights or Know-how associated with the goods, which nonetheless remain the exclusive property of Seller. Any other utilization of the Intellectual Property, if not expressly granted by Seller in writing, will be considered a violation of the aforementioned exclusive rights of Seller, also under the profile of the contractual responsibility, and will be prosecuted.

**Confidentiality**

These Conditions, all Orders and any other information or material supplied by (or on behalf of) one party to the other are strictly confidential and will not be disclosed (in whole or in part) to any other person without the disclosing party's prior written consent. The receiving party will not make use of the disclosing party's name, or any other information contained in these Conditions (or supplied pursuant to them), for publicity purposes without the disclosing party's prior written consent.

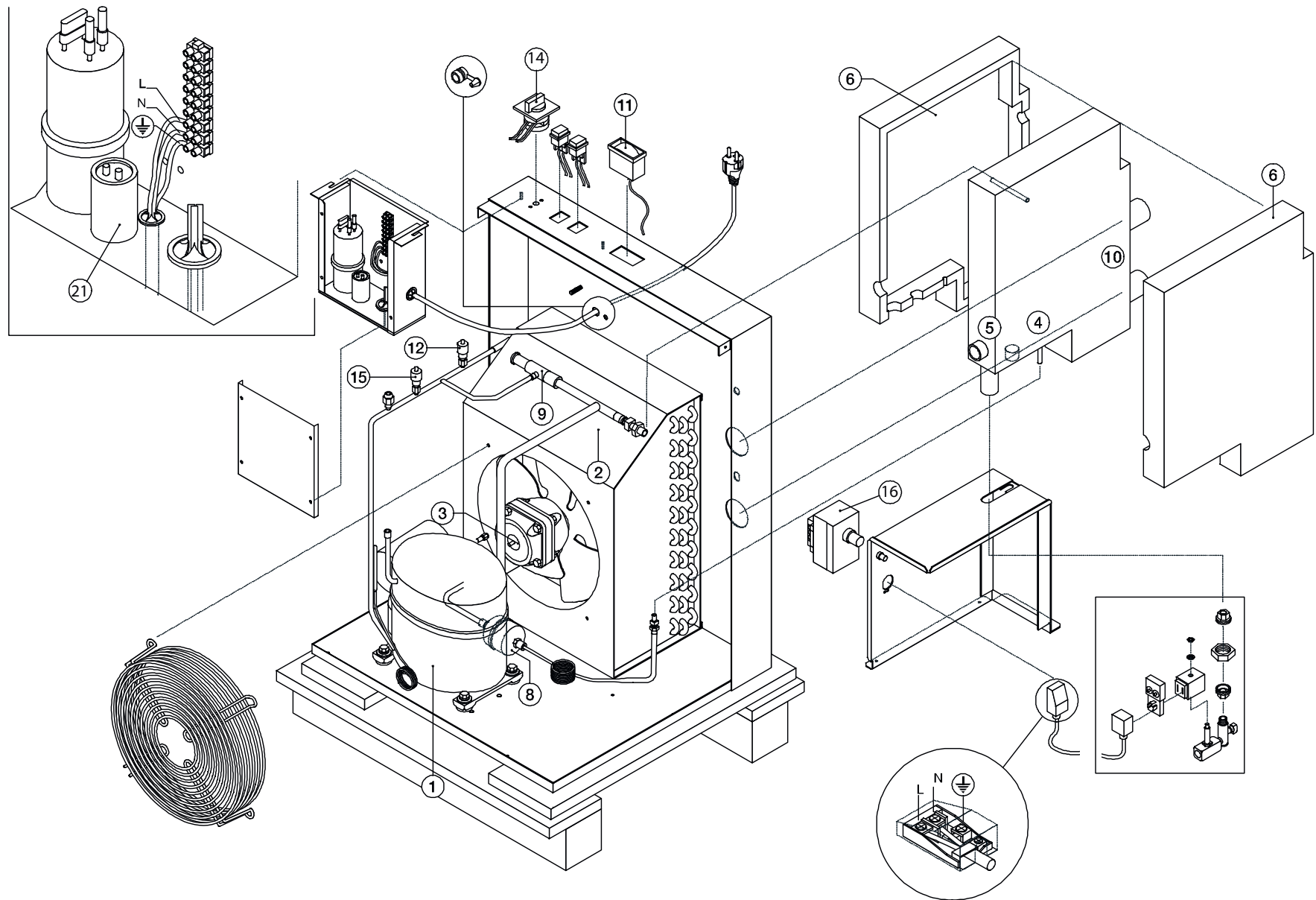
**Privacy**

Purchaser declares to be aware that all data communicated will be handled and utilized exD. Lgs. 196/2003, according to what better specified in the a later agreement of the sales contract.

**Disputes**

All disputes arising from or in connection to the contract shall be judged according to Italian law. The Court of Padua (Italy) shall have the exclusive jurisdiction.

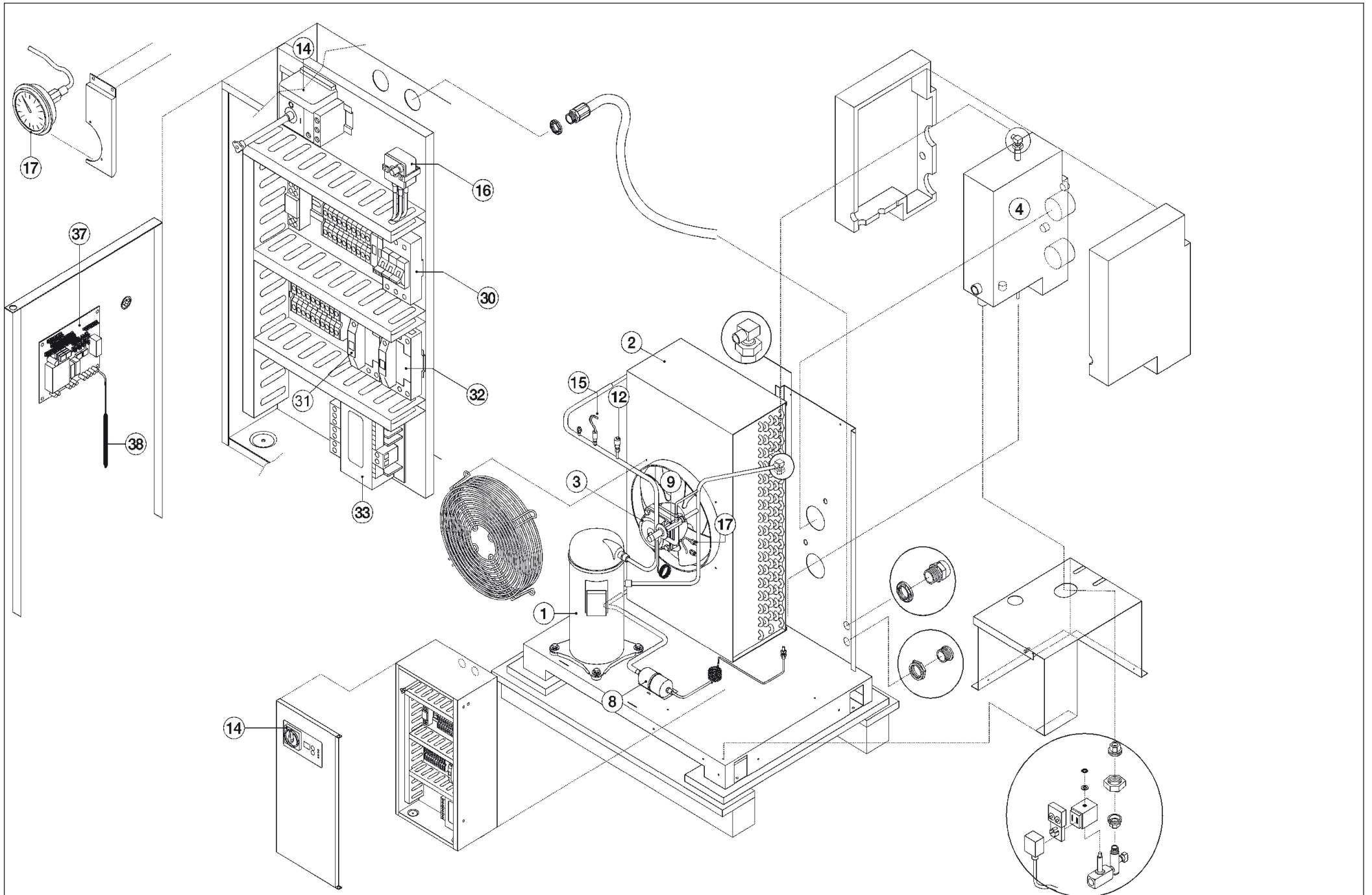
COMPONENTS	See par. 8.5	PGN040	PGN050	PGN060	PGN070	PGN080
3 years preventive maintenance kits	⑪ ⑮ ⑯ ⑰	398H473120				
Compressor kit	① ⑧	398H473122	398H473124		398H473125	398H473126
Fan kit	③	398H473474				
Hot gas valve kit	⑧ ⑨	398H473136		398H473137		
Refrigerant condenser	②	398H114736	398H114726	398H114791		
Evaporator / Separator / Air-air heat-exchanger	④	398H473507		398H473508		
Refrigerant filter	⑧	398H206219				
Dew point indicator	⑪	398H354317				
Fan pressure switch kit	⑫	398H473682				
Main disconnect switch	⑭	398H255041				
High pressure switch	⑮	398H354053				
High temperature safety thermostat	⑯	398H354242				
Condensate Drain	Drain maintenance should be performed every 12 months. For further information please see the Condensate drains Section.					



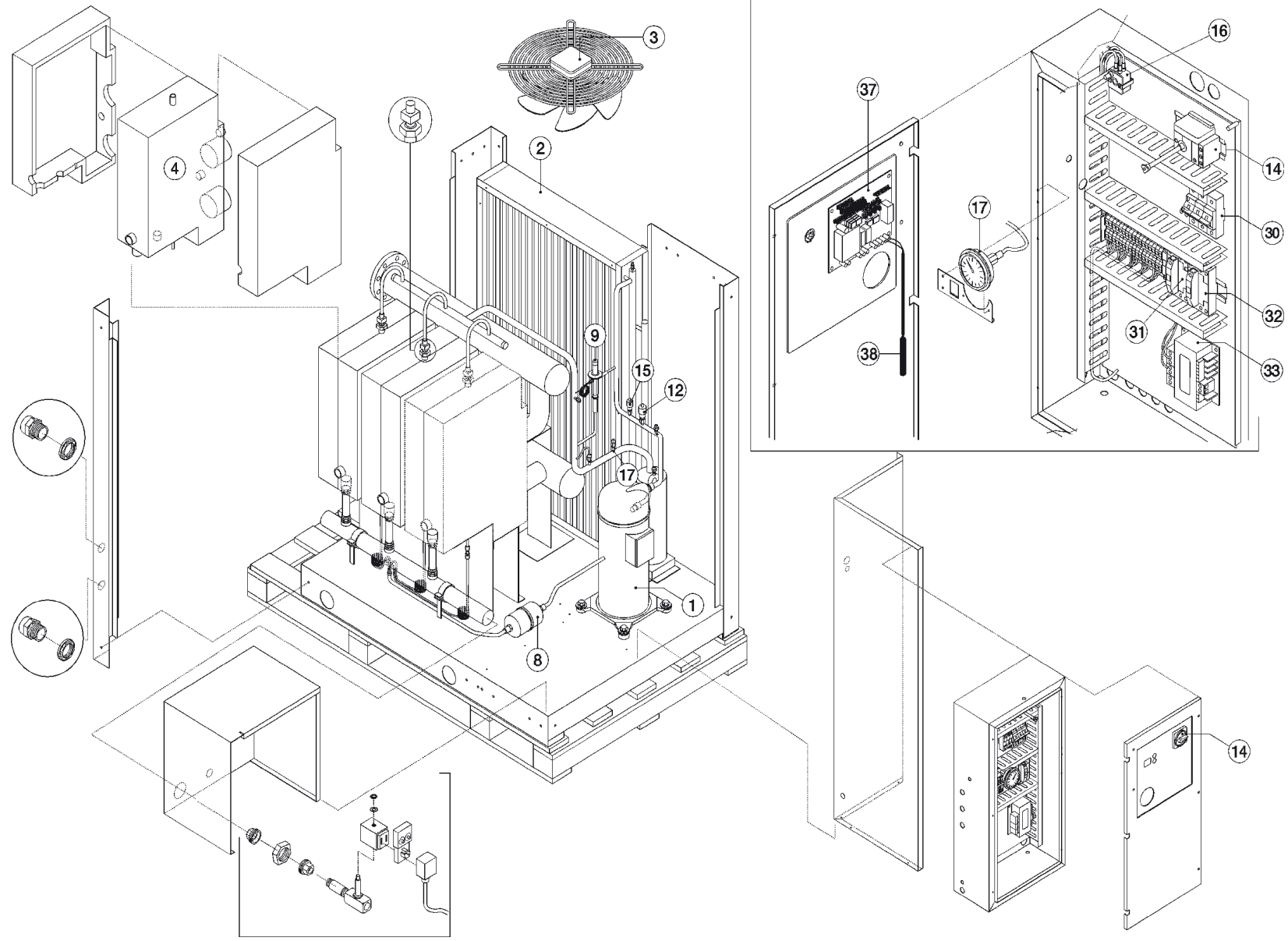


COMPONENTS		See par. 8.5	PGN110	PGN140	PGN180	PGN220	PGN270	PGN370	PGN450
3 years preventive maintenance kits	Ac	(15)(16)(31)	398H473121						
	Wc	(15)(16)	-			398H473150			
Compressor kit	Ac/Wc	(1)(8)(32)	398H473127	398H473128		398H473129	398H473130	398H473131	398H473132
Fan kit	Ac	(3)(31)	398H473143			398H473473		398H473145	
Hot gas valve kit	Ac/Wc	(8)(9)	398H473138			398H473139			
Water condenser kits	Wc	(2)(8)	-			398H473152		398H473153	
Refrigerant condenser	Ac	(2)	398H114728	398H114729		398H114730		398H114731	398H114732
Water - air exchanger / Separator / Air-air exchanger	Ac/Wc	(4)	398H473503	398H473504	398H473505	398H473503	398H473504	398H473505	398H473504
Refrigerant filter	Ac/Wc	(8)	398H206221			398H206223			
Fan pressure switch kit	Ac	(12)	398H473682						
Main disconnect switch	Ac/Wc	(14)	398H256416			398H256418			
High pressure switch	Ac	(15)	398H354052						
	Wc		-			398H354053			
High temperature thermostat	Ac/Wc	(16)	398H354242						
Low pressure manometer	Ac/Wc	(17)	398H354000						
Water pressostatic valve	Wc	(22)	-			398H378202			398H378203
Fan contactor	Ac	(31)	398H256066						
Compressor contactor	Ac/Wc	(32)	398H256066			398H256071			

COMPONENTS		See par. 8.5	PGN110	PGN140	PGN180	PGN220	PGN270	PGN370	PGN450
Auxiliary transformer	Ac/Wc	33	398H256261						
Control panel	Ac/Wc	37	398H275688						
Dew point temperature (6m-Carel)	Ac/Wc	38	398H275895						
Dew point temperature (4m-SGE)	Ac/Wc		398H275266						
Condensate Drain solenoid valve	Ac/Wc	Drain maintenance should be performed every 12 months. For further information please see the Condensate drains Section.							

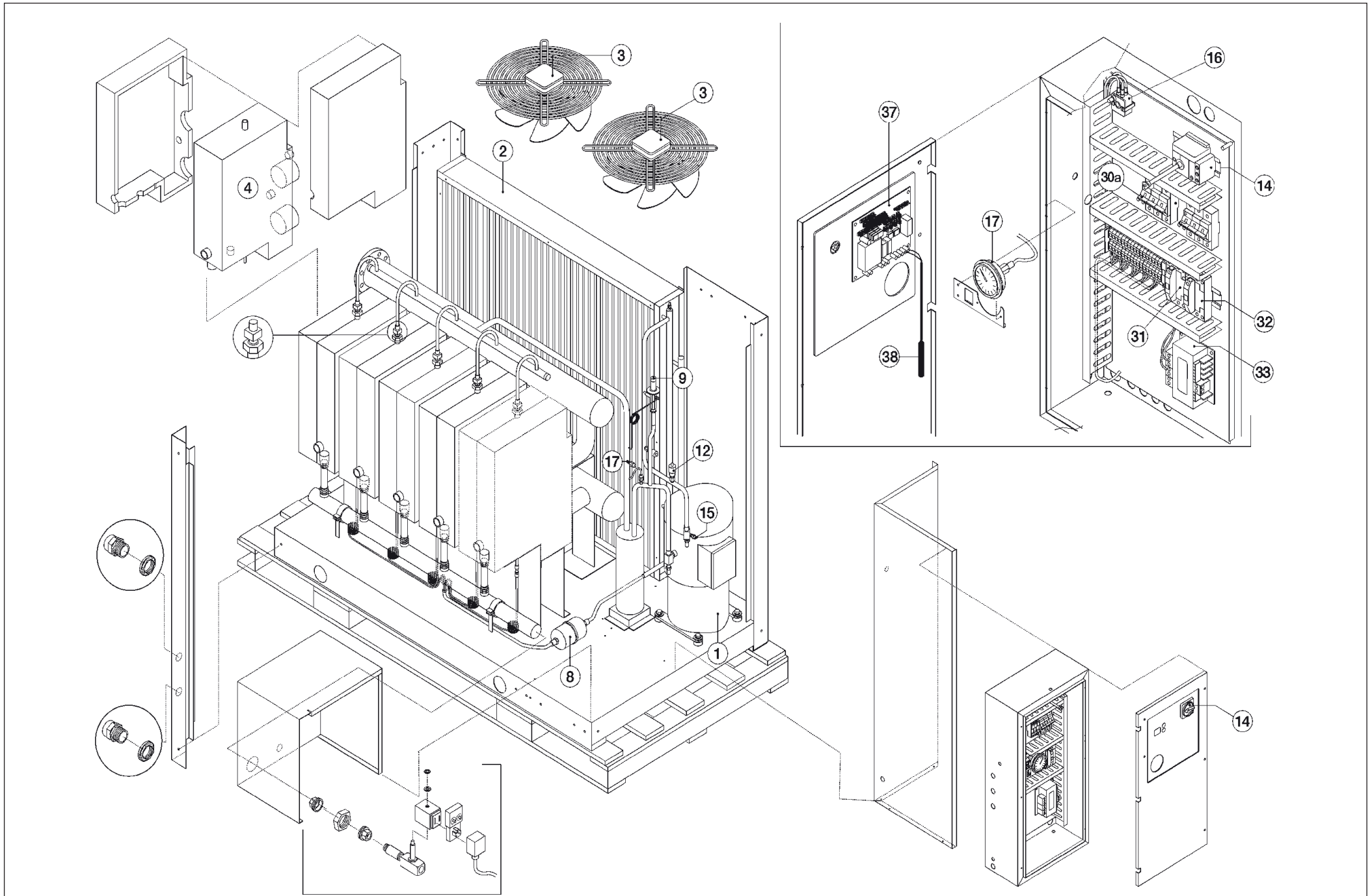


**EXPLODED DRAWING PGN110-180 (Ac)**

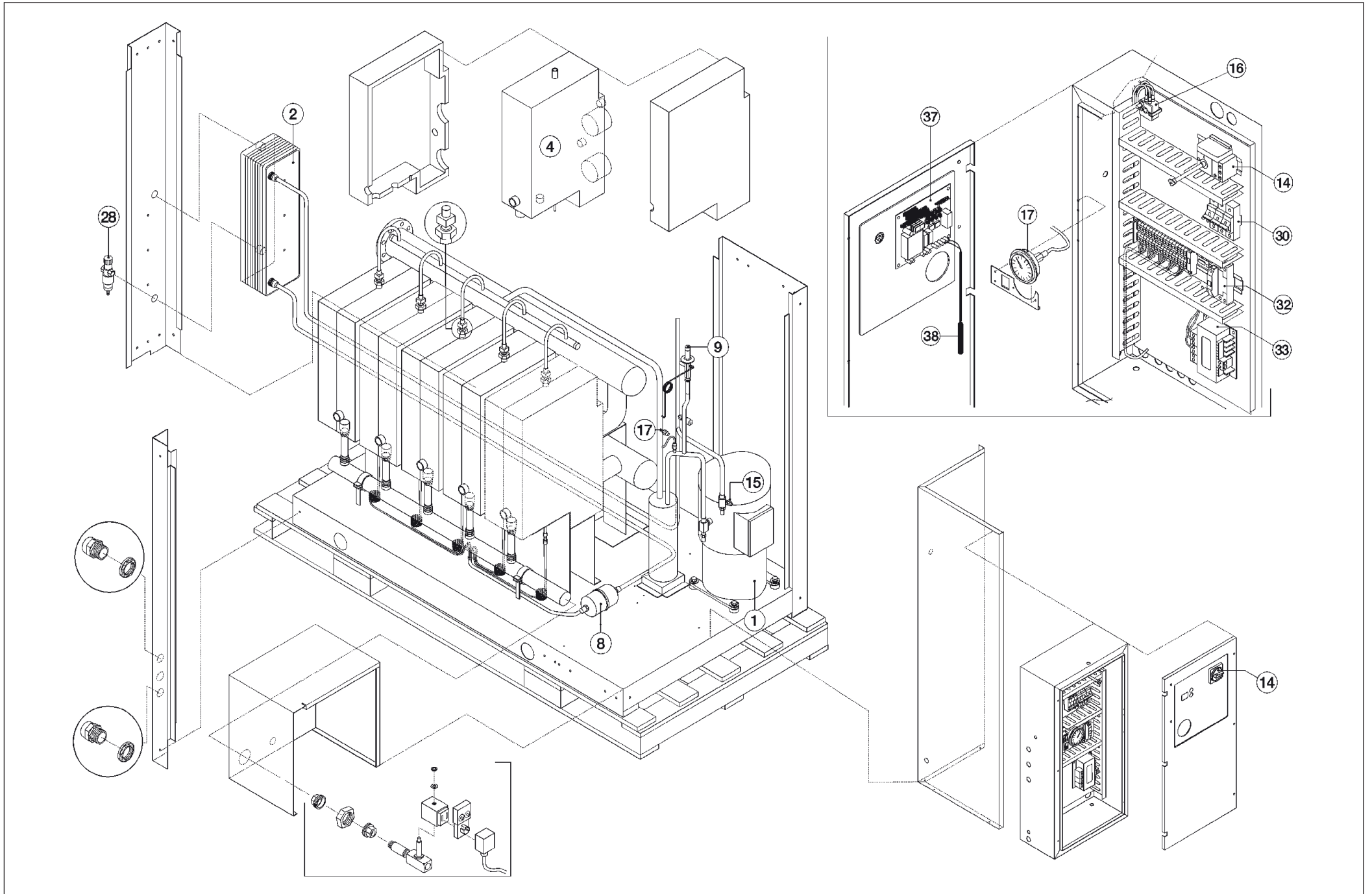


COMPONENTS		See par. 8.5	PGN600	PGN770	PGN900	PGN1100
3 years preventive maintenance kits	Ac	(15)(16)(31)	398H473121			
	Wc	(15)(16)	398H473151			
Compressor	Ac/Wc	(1)	398H147999Y025	398H147999Y023		398H147999Y022
Fan kit	Ac	(3)(31)	398H473145		398H473478	
Hot gas valve kit	Ac/Wc	(8)(9)	398H473141			
Water condenser kits	Wc	(2)(8)	398H473154	398H473155		398H473156
Refrigerant condenser	Ac	(2)	398H114733	398H114734	398H114735	
Water - air exchanger / Separator / Air-air exchanger	Ac/Wc	(4)	398H473504		398H473505	
Refrigerant filter	Ac/Wc	(8)	398H206223			
Fan pressure switch kit	Ac	(12)	398H473682			
Main disconnect switch	Ac/Wc	(14)	398H256421			398H256422
High pressure switch	Ac	(15)	398H354052			
	Wc		398H354053			
High temperature thermostat	Ac/Wc	(16)	398H354242			
Low pressure manometer	Ac/Wc	(17)	398H354000			
Water pressostatic valve	Wc	(22)	398H378205			
Fan contactor	Ac	(31)	398H256066			
Compressor contactor	Ac/Wc	(32)	398H256068			

COMPONENTS		See par. 8.5	PGN600	PGN770	PGN900	PGN1100
Auxiliary transformer	Ac/Wc	33	398H256261			
Control panel	Ac/Wc	37	398H275688			
Dew point temperature (6m-Carel)	Ac/Wc	38	398H275895			
Dew point temperature (4m-SGE)	Ac/Wc		398H275266			
Condensate Drain solenoid valve	Ac/Wc	Drain maintenance should be performed every 12 months. For further information please see the Condensate drains Section.				

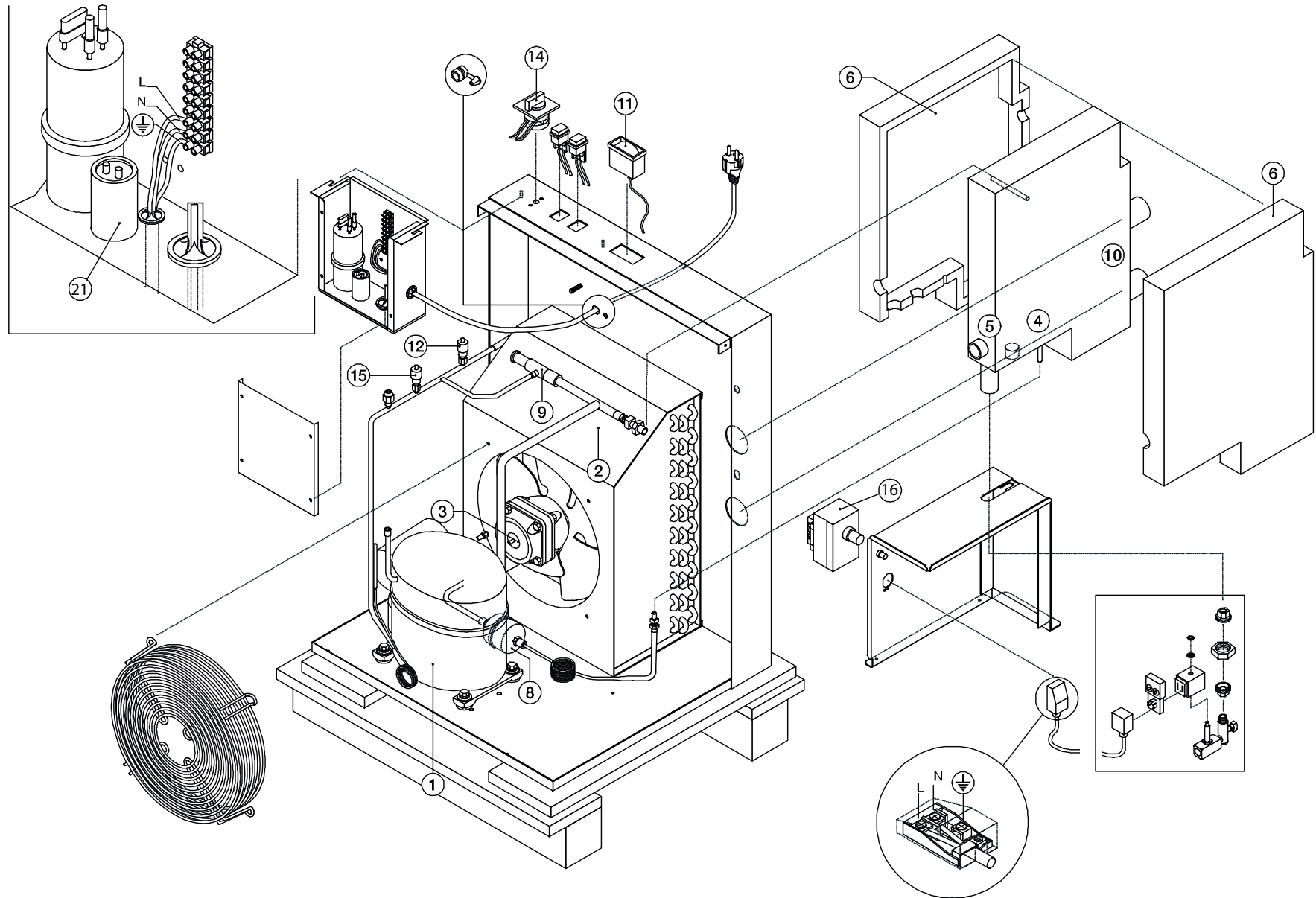


**EXPLODED DRAWING PGN600-1100 (Ac)**



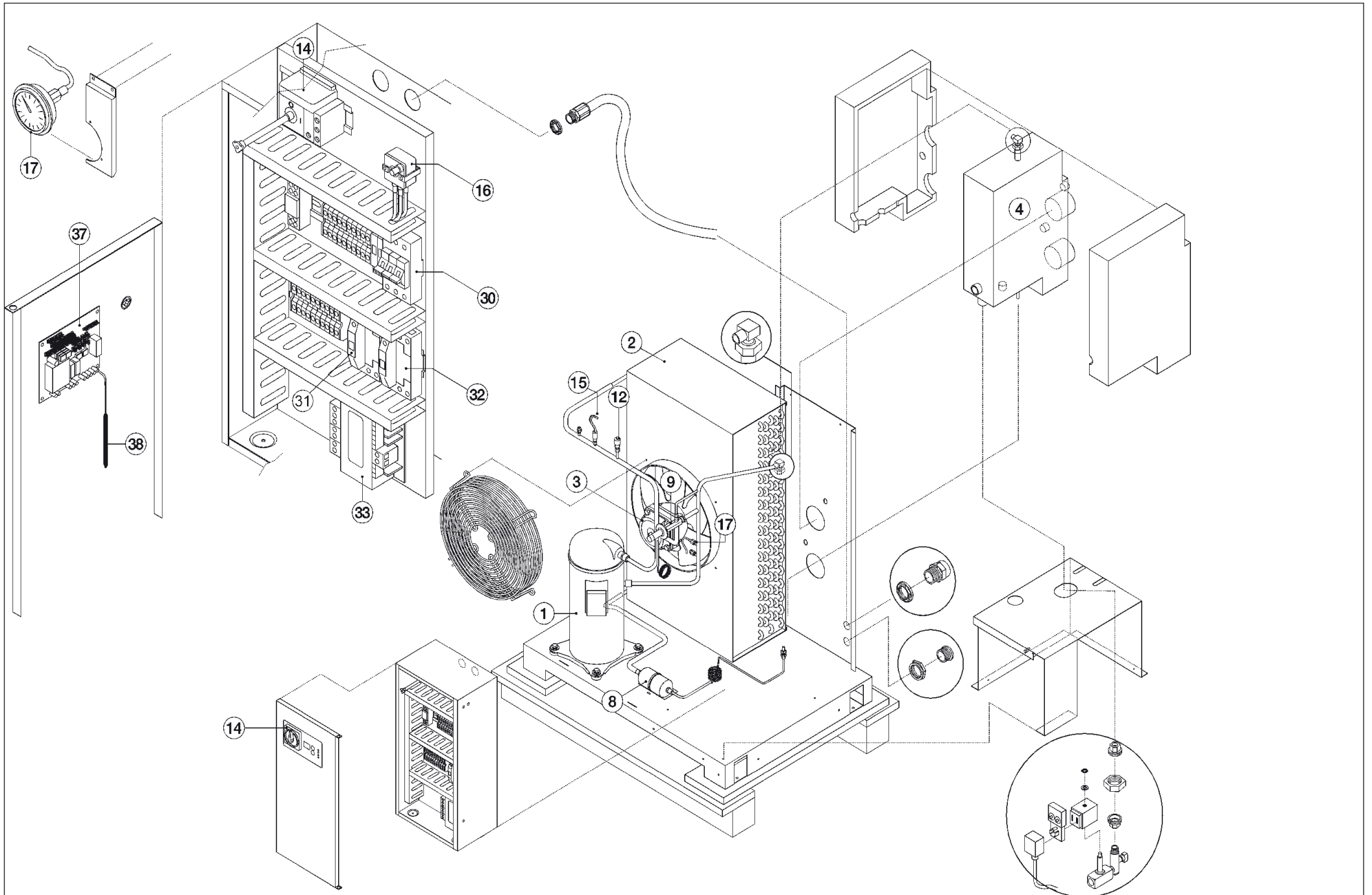


COMPONENTS		See par. 8.5	PGN040	PGN050	PGN060	PGN070
3 years preventive maintenance kits	115V/1Ph	⑪ ⑮ ⑯ ⑰	398H473157		-	
	230V/1Ph		-		398H473158	
Compressor kit	115V/1Ph	① ⑧	on request	on request	-	
	230V/1Ph		on request	on request	on request	on request
Fan kit	115V/1Ph	③	398H473186		-	
	230V/1Ph		398H473187			
Hot gas valve kit		⑧ ⑨	398H473136			on request
Refrigerant condenser	115V/1Ph	②	398H114736	398H114726	-	
	230V/1Ph		398H114726		on request	
Evaporator / Separator / Air-air heat-exchanger		④	398H473507		398H473508	
Refrigerant filter		⑧	398H206219			
Dew point indicator		⑪	398H354317			
Fan pressure switch kit		⑫	398H473683			
Main disconnect switch		⑭	398H255197			
High pressure switch		⑮	398H354053			
High temperature safety thermostat		⑯	398H354242			
Condensate Drain		Drain maintenance should be performed every 12 months. For further information please see the Condensate drains Section.				

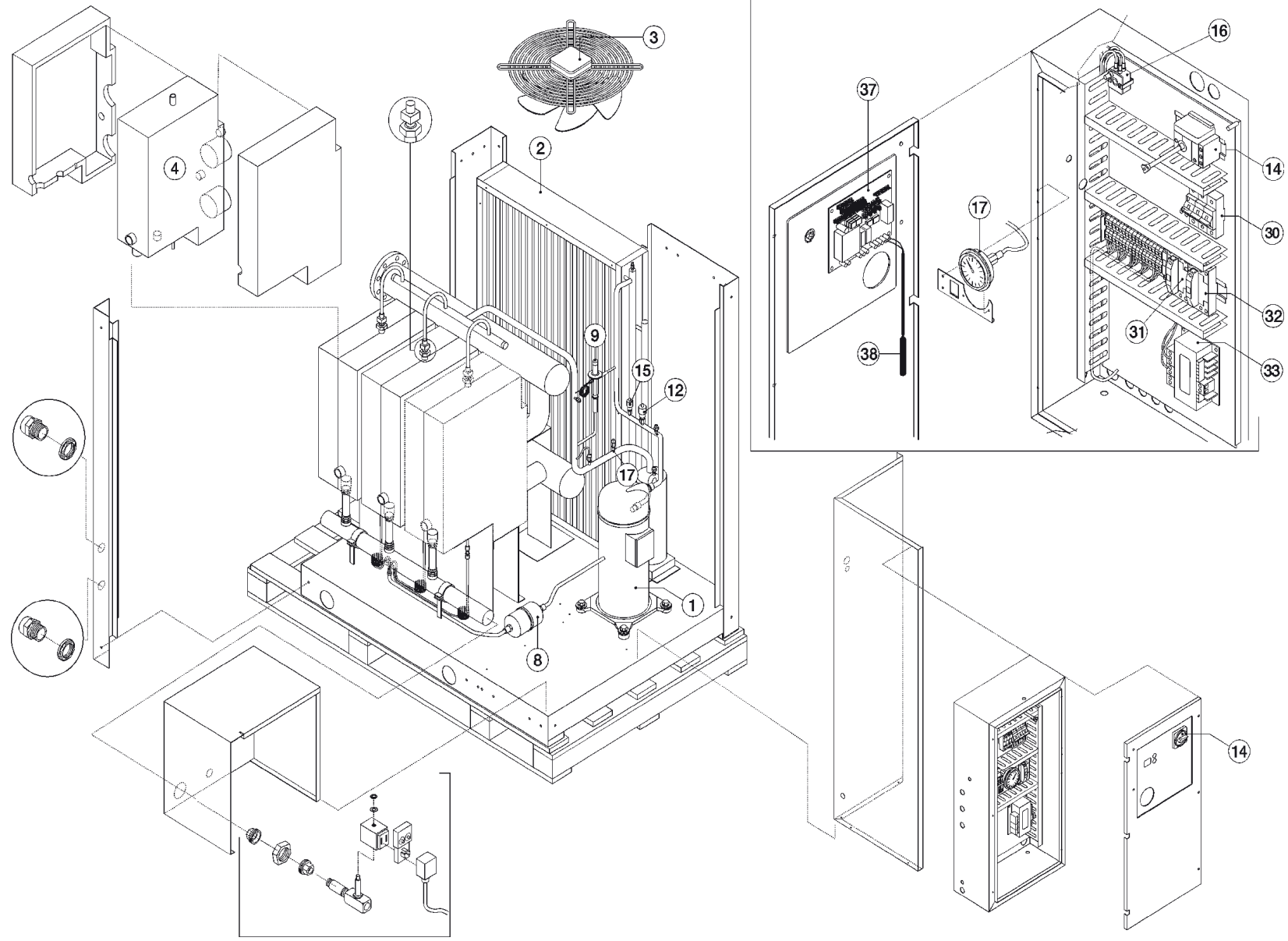


COMPONENTS			See par. 8.5	PGN090	PGN110	PGN140	PGN180	PGN220	PGN270	PGN370	PGN450
3 years preventive maintenance kits	Ac		⑮⑯⑳	398H473159							
	Wc		⑮⑯	-				398H473192			
Compressor kit	230V/1Ph	Ac/Wc	①⑧⑳	on request	on request	-		-		-	-
	230V/3Ph	Ac/Wc		on request	on request	on request		on request		-	-
	460V/3Ph	Ac/Wc		398H473170	398H473173	398H473175		398H473177		on request	398H473179
Fan kit	230V/1Ph	Ac	③⑳	on request		-					
	230V/3Ph	Ac		398H473189				-			
	460V/3Ph	Ac		-		398H473190				-	
	230V/3Ph	Ac		-		398H473191		398H473194			
460V/3Ph	Ac		-		398H473191		398H473194				
Hot gas valve kit	Ac/Wc		⑧⑨	398H473138				398H473139			
Water condenser kits	Wc		②⑧	-				398H473152		398H473153	
Refrigerant condenser	Ac		②	on request	398H114728	398H114729		398H114730		398H114731	398H114732
Water - air exchanger / Separator / Air-air exchanger	Ac/Wc		④	398H473508	398H473503	398H473504	398H473505	398H473503	398H473504	398H473505	398H473504
Refrigerant filter	Ac/Wc		⑧	398H206221				398H206223			
Fan pressure switch kit	Ac		⑫	398H473683							
Main disconnect switch	230V/1Ph	Ac/Wc	⑭	398H256419	-						
	230V/3Ph	Ac/Wc		398H256416				398H256418		-	
	460V/3Ph	Ac/Wc		398H256418							
High pressure switch	Ac		⑮	398H354052							
	Wc			-				398H354053			
High temperature thermostat	Ac/Wc		⑰	398H354242							

COMPONENTS		See par. 8.5	PGN090	PGN110	PGN140	PGN180	PGN220	PGN270	PGN370	PGN450
Low pressure manometer	Ac/Wc	⑰	398H354037							
Water pressostatic valve	Wc	⑳	-				398H378202			398H378203
Fan contactor	Ac	㉑	398H256066							
Compressor contactor	230V/1Ph	Ac/Wc	-	398H256115	-					
	230V/3Ph	Ac/Wc	㉒	-	398H256071		398H256115		-	
	460V/3Ph	Ac/Wc	-	398H256066			398H256115			
Auxiliary transformer	Ac/Wc	㉓	on request							
Control panel	Ac/Wc	㉔	398H275688							
Dew point temperature (6m-Carel)	Ac/Wc	㉕	398H275895							
Dew point temperature (4m-SGE)	Ac/Wc		398H275266							
Condensate Drain solenoid valve	Ac/Wc	Drain maintenance should be performed every 12 months. For further information please see the Condensate drains Section.								



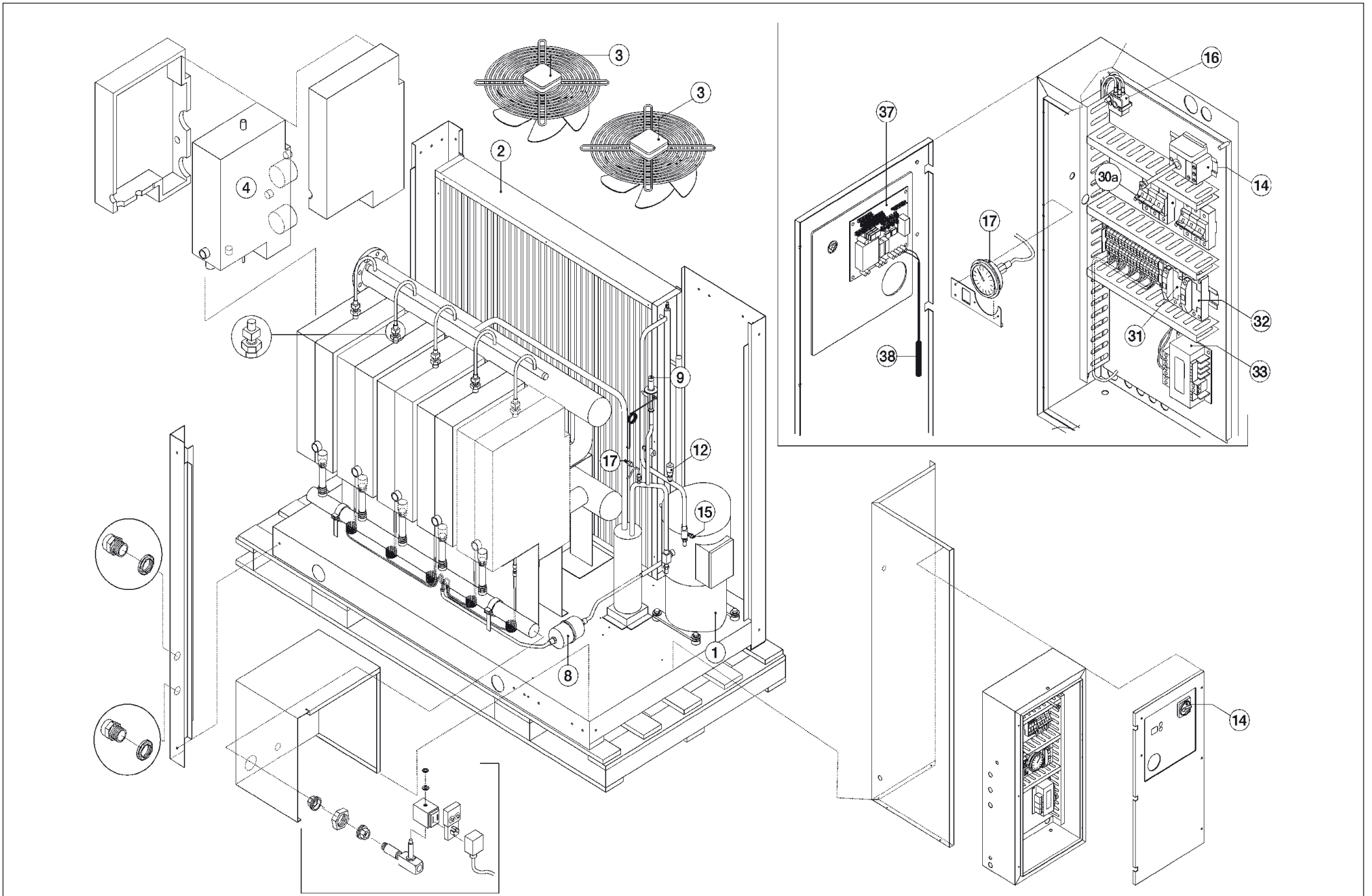
EXPLODED DRAWING PGN090-180 (Ac)



COMPONENTS		See par. 8.5	PGN600	PGN770	PGN900	PGN1100
3 years preventive maintenance kits		Ac	398H473159			
		Wc	398H473193			
Compressor	460V/3Ph	Ac/Wc	398H147999Y025	398H147999Y023		398H147999Y022
Fan kit	460V/3Ph	Ac	398H473194		398H473195	
Hot gas valve		Ac/Wc	398H473141			398H378709
Water condenser kits		Wc	398H473154	398H473155		398H473156
Refrigerant condenser		Ac	398H114733	398H114734	398H114735	
Water - air exchanger / Separator / Air-air exchanger		Ac/Wc	398H473504		398H473505	
Refrigerant filter		Ac/Wc	398H206223			
Fan pressure switch kit		Ac	398H473683			
Main disconnect switch	460V/3Ph	Ac/Wc	398H256421			
High pressure switch		Ac	398H354052			
		Wc	398H354053			
High temperature thermostat		Ac/Wc	398H354242			
Low pressure manometer		Ac/Wc	398H354037			
Water pressostatic valve		Wc	398H378205			
Fan contactor		Ac	398H256066			
Compressor contactor	460V/3Ph	Ac/Wc	398H256067			

COMPONENTS		See par. 8.5	PGN600	PGN770	PGN900	PGN1100
Auxiliary transformer	Ac/Wc	33	398H255896			
Control panel	Ac/Wc	37	398H275688			
Dew point temperature (6m-Carel)	Ac/Wc	38	398H275895			
Dew point temperature (4m-SGE)	Ac/Wc		398H275266			
Condensate Drain solenoid valve	Ac/Wc	Drain maintenance should be performed every 12 months. For further information please see the Condensate drains Section.				





**EXPLODED DRAWING PGN600-1100 (Ac)**

