

Spare Parts

Compressed Air Treatment

(Validity 01.10.10 – 31.12.11)



Index

General Terms of Sales 2

Refrigeration Dryers 50Hz

Starlette Plus (SPL) 5
Starlette (SGB) 8
Starlette Plus 50 barg (SPH) 9
PoleStar Smart (PST) 11
PoleStar (PGN) 29
PoleStar (PGB/PGE) 37
PoleStar Smart 50 barg (PSH) 46
PoleStar 50 barg (PHP) 55
Polair (NGB/NXB - NGC/NXC - NGH/NXH) 62
Drystar (MDH/MGH) 70
Quasar (QSR) 74

Refrigeration Dryers 60Hz

Starlette Plus (SPL) 82
Starlette (SGB) 85
PoleStar Smart (PST) 86
PoleStar (PGN) 107
PoleStar (PGB/PGE) 115
PoleStar 50 barg (PHP) 123

Adsorbtion Dryers

New Hyperdryer (HNS/HNMM/HNL) 130
Hyperdryer (AHL/AHM/AHB) 134

Filters

Hyperfilter (HFN/HFS/HFP) 138

Condensate Drains

Hyperdrain 146

General Terms of Sale

Introduction

The following shall be regarded as the general terms of sale between Parker Hiross (Seller) and Purchaser. None of these terms may be added to, modified, superseded or otherwise altered by Purchaser, unless specifically agreed to, in writing and signed, by Seller. These terms shall, accordingly, supersede and modify any terms that may be contained in any letter or other from Purchaser. They also supersede any oral representations made by either party in connection with the transaction.

Validity

This "Parker Hiross Master Price List" cancels and supersedes all previous Parker Hiross Price Lists. Prices are valid starting from the date indicated in the Price List. This Price List is valid until written notice to the contrary, or the emission of a new Price List. Technical data contained in this publication is to be considered as indicative only. The manufacturer reserves the right to modify technical data at its own discretion and without prior notice.

Quotation

Seller has the right, at any time and even after the order, to make alterations to, or withdraw (prior to order confirmation), its offers. Prices quoted shall always be regarded as indicative only.

Acceptance of order

Orders shall be regarded as accepted by Seller only after issuing the respective order confirmation. Seller's charges for cancelling booked and confirmed orders shall range up to 100% of the net order value, depending on completeness of the equipment and its reclamation value. Minimum accepted value for an individual order shall be Euro 200, or the equivalent in other currencies. Orders for lower values will be subject to a Euro 100 (or the equivalent in other currencies) order processing charge.

Price

Price shall be as stipulated in the order confirmation. All non Euro prices are nonetheless calculated from the Euro price, and then rounded to the nearest full digit. As a result there may be a minor difference between the listed and invoiced prices. In the event no price is stipulated, equipment shall be charged at Seller's prevailing Price list. Unless otherwise agreed, in writing, price shall be ex Seller's factory, with standard packing. Seller reserves the right to modify prices at the confirmation of the order to Purchaser. If the confirmed price increase exceeds 5 (five) percentage points, Purchaser has the right to withdraw from the contract, upon written notice addressed to Seller within 2 (two) days from the date of the receipt of the communication concerning the price adjustment. Upon the expiration of such term, or with the acceptance of the goods' delivery by Purchaser, the adjustment is deemed to be accepted and binding between the parties. The Price shall be valid for delivery as per the date agreed in the order confirmation. If Purchaser requests (in writing) any delay in shipping of the equipment, Seller will reserve the right to revise the price. Changes to booked and confirmed orders shall be subject to a minimum net service charge corresponding to Euro 100 (or the equivalent in other currencies), to cover changes in documents. This charge may be increased, depending on order status and nature of requested modification.

Delivery

The delivery date shall be as indicated in the order confirmation. The delivery terms, indicated in the order confirmation, are to be considered as part of this General Terms of Sale. Acceptance of shipment by a common carrier or allocation of equipment to Purchaser shall constitute delivery. Thereupon responsibility shall pass to Purchaser, subject to Seller's right of stoppage in transit. Where a trade term has been agreed, it shall be interpreted in accordance with the INCOTERMS in force at time of contract. If no trade term is specifically agreed delivery shall be considered to be Ex Works. Unless expressly specified in the INCOTERMS, goods in transit always travel at Purchaser's risk. Purchaser will bear all costs involved in removing the goods from Seller's premises. Delivery of all or any part of the order is contingent upon Seller's ability to obtain supplies, raw materials and service through its regular sources of supply. Should Seller, temporarily or permanently, be unable to deliver the products for reasons not imputable to the same such as force majeure, (e.g. earthquake, strikes, lockout, lack of means of transportation, authority ordinance, floods, etc.) it will be released from all delivery and indemnification obligations towards Purchaser for the entire duration of the period in which the impediment and its effects last. Upon the occurrence of such impediment, Seller will promptly inform Purchaser thereof. In the aforesaid cases, delays in delivery shall not give any right to Purchaser to claim for damages or to cancel the order. Delivery time shall commence from the date of the order confirmation, but not before Seller having received, from Purchaser, all necessary drawings and approvals, if any, or down payment. Partial deliveries shall not be refused by Purchaser and will be paid for at contract prices and terms. If the delay, not caused by an event of force majeure, exceeds 90 (ninety) days, Purchaser will be allowed to cancel the outstanding part of the order. Each party may terminate the purchase agreement in the event that its effects, due to events mentioned above, becomes excessively onerous and therefore the contract is no longer of interest for such party. If Seller performs the installation of goods, Purchaser will have to take care of and preserve the delivered goods, until the completion of installation. Purchaser shall pick up the purchased products at the dates agreed, unless otherwise agreed between the parties. Purchaser's requests in this regard shall be taken into consideration by Seller, provided that Purchaser has made its request at least 30 (thirty) days before the original delivery date. If Purchaser does not pick up the purchased goods at the agreed date, Seller will have the right to invoice and receive payment for any equipment not picked up. The costs of storage will be born by Purchaser.

Reserve of property

All goods supplied shall remain property of Seller until such time as full payment will have been received from Purchaser in settlement of all pertaining Seller's invoices. Cheques and bills of exchange issued by Purchaser will be considered as payment only after having been cashed by Seller's bank.

Claims and complains

Purchaser shall inspect the delivered goods and notify Seller, in writing and within 8 (eight) days from the delivery date, of defects found or that may be found upon a preliminary inspection, or any other claim related to the goods. Should Purchaser fail to make such notification, the goods shall be deemed as definitively accepted and in compliance with what set forth in the contract, without being prejudicial to the possibility to report any hidden defect, assuming this is within the warranty period; in any case the notification of the defects must be communicated within 8 (eight) days from the discovery thereof. If the received goods have been damaged during transit, Purchaser will have to highlight this on the C.M.R. or on the Delivery note. Expenses related to the shipment of any eventual returns shall be borne by Purchaser. Possible objections concerning part of the goods delivered, or a single shipment of the same, shall have no effect on the rest of the order, nor on the payment of goods already received and not promptly challenged.

Payment

Payment shall be upon those terms agreed to by Purchaser and Seller. In the event there is no agreement, payment shall be by Cash in Advance. Failure by Purchaser to effect payment at due date will result in Seller cancelling all express warranties, notwithstanding taking recourse to remedies provided by the law. In case of delayed payment, Purchaser will automatically be charged interest calculated pursuant to the Italian decree no. 231/2002, without the need for any notice of default. In the instance of equipment held subject to Purchaser's instructions, equipment for which Purchaser has failed to supply shipping instructions, or in any case where Seller, in its own sole discretion, determines any part of the equipment purchased by Purchaser should be held for Purchaser's account, Seller may invoice the equipment and Purchaser agrees to make payment at the maturity of the invoice so rendered. Equipment invoiced held at any location, for whatever reason, shall be at Purchaser's risk and Seller may charge for insurance and storage at prevailing rates.

Resolution of contract

The terms of payment are fundamental elements, and any default in payments or any unilateral change constitutes the right of withdrawal for Seller to stop deliveries and consider any supply agreement as rescinded without notice, intimation or other. The same is valid for Seller in the event of changes in the economic – property conditions of Purchaser (Art. 1461 C.C.).

Drawings and installation details

Drawings, models and instructions for the installation of equipment supplied are the exclusive property of Seller; Purchaser cannot pass these to any third party. Seller shall not warrant the correctness of drawings which have not been certified by Seller. Certified drawings shall only be available upon written request from Purchaser, and shall be charged at a price to be agreed upon. Seller reserves the right to, at any time prior to delivery of certified drawings to Purchaser, make any changes in model or design of equipment, including components thereof.

Warranty

Seller warrants to Purchaser all equipment to be free from defects in material and workmanship for a period not exceeding 1 year from the date of installation of the equipment, but for a maximum of 18 months from the shipping date. This obligation is limited to repairing and replacing, at Seller's factory, any part found faulty during said period, with the following limitations:

- a) Warranty is effective only if equipment has been installed, commissioned and maintained in accordance with Seller's instructions (Parker Hross User Manual) and, where necessary, connected to adequate electric, water and drain services, cleaned out correctly and placed into operation by a qualified technician. All dryers must be fitted with adequate pre-filtration upstream of the dryer itself. Seller is excluded any obligation of compensation or refund for any direct or indirect damage caused by its absence. The effects of erosion, corrosion and normal wear – and – tear are specifically excluded from this warranty.
- b) Seller reserves the right to, for specific products (including, but not limited to, Quasar and LCD dryers) grant warranty terms only on the condition that Commissioning has been performed by Seller's Service personnel or, failing this, Service personnel authorised by Seller beforehand. In the latter case the relevant Commissioning Report must be compiled by the authorised Service personnel and sent to Seller. Failure to adhere to this procedure will result in loss of warranty.
- c) Seller reserves the right to replace a product under warranty, and will accept no costs as to the removal and installation of the products.
- d) Seller reserves the right to change or improve the design of its products without assuming any obligation to modify any product previously manufactured.
- e) Poor maintenance or improper use will result in loss of warranty.
- f) Seller shall not assume responsibility for any labour expenses incurred by Purchaser in replacing or changing defective parts or equipment covered by this warranty.
- g) This warranty is granted to original Purchaser only and cannot be transferred, unless authorised in writing by Seller. Purchaser shall notify Seller of a defect within maximum 8 (eight) days from the discovery thereof, and in no case later than 8 (eight) days after expiry of the above stated warranty. Purchaser will notify fault by filling out the "Passport", as distributed by Seller. Any claims against this warranty must be substantiated at the time the fault arises, and it will be at Seller's discretion to:

- h) Supply replacement parts ex – works Seller's factory, or ii) repair parts locally, with travel/living/labour expenses at Purchaser's charge, or iii) authorise Purchaser to buy components repaired locally, or iv) authorise Purchaser to buy replacement parts locally, or v) require Purchaser to return damaged parts to Seller, prepaid, for repairs.

Seller has the right to ask for components, claimed as being faulty, to be returned to its factory, transport prepaid, for inspection, or to request Purchaser to keep these parts in stock for eventual inspection by Seller's representative. Seller is not obliged to make any guarantee payments before having had the opportunity to verify said claim in either manner described above. Any requests from Purchaser founded on the warranty clause or on asserted non – fulfilment thereof on the part of Seller or others shall not in any manner authorise Purchaser to delay or modify the agreed payment terms.

Warranty waiver

This is a written agreement between Seller and Purchaser, representing an alternative to the Warranty described previously. Should this agreement exist, Seller will grant Purchaser a 2% discount (included in the discount communicated by Seller to Purchaser) on the price of the products; in exchange Purchaser accepts to take over all costs which, according to the previous chapter, should be covered by Seller. QSR and LCD dryers, and eventually special products not listed in the present Master Price List, do not fall under the warranty waiver agreement, remaining with the previously described warranty. These costs include (but are not limited to):

- a) Costs arising from machine break down or malfunctioning due to faulty components (i.e. electrical defects on compressors, faulty pressure switches, defective control panels, etc.).
- b) Costs resulting from repair of isolated faults, not detected during quality controls, or any related secondary damage (i.e. incorrect wiring, leaks, etc.).

The only costs to be considered not covered by Warranty Waiver discount are the costs connected to rectifying clear defects resulting from design faults in equipment, as shown by recurring defect patterns on an international scale. In this case Seller will recognize to Purchaser the cost Ex Works of the faulty component, plus the labour cost to repair the equipment. Seller will evaluate the labour cost on a case-by-case basis.

Liability for damage to property or other caused by goods

Purchaser shall indemnify and hold Seller harmless for any damage caused by equipment to:

- a) any (movable or immovable) property, where damage occurs while equipment is in Purchaser's possession, or
- b) products manufactured by Purchaser, or products of which Purchaser's products form a part, or for loss or damage to any property, where damage is caused by these products because of properties in the equipment.

Seller shall under no circumstances be liable for loss of production, loss of profit, or any other consequential economic loss. The above is valid both within and after the warranty period.

Invalidity of provisions

If any of these terms shall be held invalid, illegal or unenforceable, the validity of remaining provisions shall not in any way be affected or impaired thereby.

Individual contracts

For all individual contracts stipulated between Seller and Purchaser, any terms within these General Terms of Sale which are not covered in the individual contract will remain valid.

Privilege

Seller reserves the faculty to, in case of extended payment (even partial), make use of the right of privilege (art. 2762 C.C.). The right of privilege maintains its full validity even in the event of a change in the agreed payment conditions or concessions or extension, given that these events, under explicit agreement of Purchaser, do not constitute an extension of credit, with the present terms of sale remaining unchanged. In any case, the effects of Purchaser do not affect the credit situation and are reserved and accepted for cash convenience and without any prejudice of Seller's rights.

Intellectual property

Trademarks, commercial names or other distinctive marks on the goods are of exclusive property of Seller, and will not be altered, changed, removed or cancelled in any manner. Purchaser can use, to the limited purpose of resale of the goods to the public, the trademarks, commercial names and other distinctive marks, as well as other industrial exclusive rights or Know-how associated with the goods, which nonetheless remain the exclusive property of Seller. Any other utilization of the Intellectual Property, if not expressly granted by Seller in writing, will be considered a violation of the aforementioned exclusive rights of Seller, also under the profile of the contractual responsibility, and will be prosecuted.

Confidentiality

These Conditions, all Orders and any other information or material supplied by (or on behalf of) one party to the other are strictly confidential and will not be disclosed (in whole or in part) to any other person without the disclosing party's prior written consent. The receiving party will not make use of the disclosing party's name, or any other information contained in these Conditions (or supplied pursuant to them), for publicity purposes without the disclosing party's prior written consent.

Privacy

Purchaser declares to be aware that all data communicated will be handled and utilized ex D. Lgs. 196/2003, according to what better specified in the a latere agreement of the sales contract.

Disputes

All disputes arising from or in connection to the contract shall be judged according to Italian law. The Court of Padua (Italy) shall have the exclusive jurisdiction.

SPL002-030 50HZ

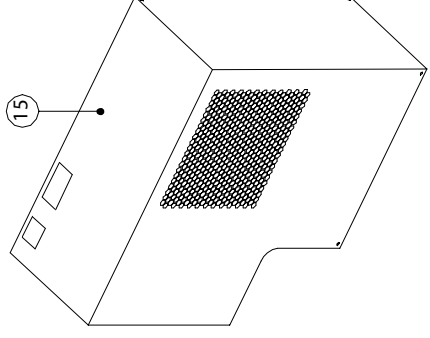
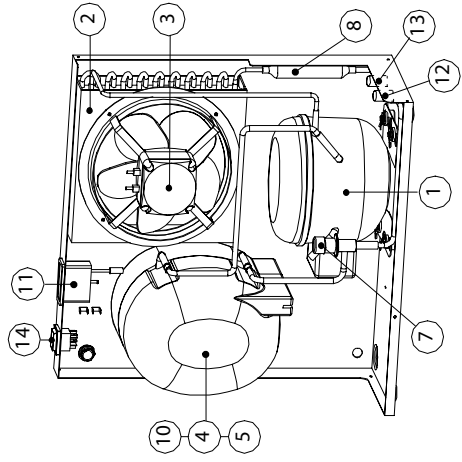
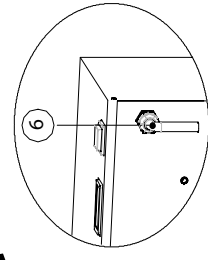
	Pos.	SPL002	SPL004	SPL006	SPL009	SPL012	SPL018	SPL024	SPL030
Kits	Compressor kit	① ⑧	473116		473117	473119	473148	473106	473106 74488
	Fan kit	③	473110		473118		473119	473109	
	Automatic expansion valve kit	⑦ ⑧			473108				473109
Individual spare parts	Refrigerant condenser	②	114800			114800	1480	14803	114752
	Evaporator / Separator / Air-air heat-exchanger	④ ⑤ ⑩	472157			472158			
	Power cable	⑥				3550			
	Refrigerant filter	⑧							
	Dewpoint indicator	⑪				354317			
	Fan thermostat switch	⑫				354324			
	High temperature thermostat	⑬				473399			
	Main power switch	⑭				255132			
	Cover	⑮				137823 *	137825 *	137827 *	
	Condensate drains	⑯				137926 **	137928 **	137931 **	

Drain maintenance should be performed every 12 months. For further information please see the Condensate drains Section.

* Black

** Light grey

SEE



SPL040—060 50HZ

(Sheet 1 of 2)

	Pos.	SPL040	SPL050	SPL060
Compressor kits	(1) (8)	474424 474489	474425	474426
Fan kits	(3)		474421	
Automatic expansion valve kit	(7) (8)	474432		
Hot gas valve kits	(8) (9)			474433
Refrigerant condenser	(2)	114808	114809	114810
Evaporator / Separator / Air—air heat—exchanger	(4) (5) (10)		472143	
Power cable	(6)		256350	
Refrigerant filter	(8)		206218	
Dewpoint indicator	(11)		354317	
Fan pressure switch	(12)		354376	
High temperature thermostat	(13)	473399		474434
High pressure switch	(15)			354053
Fan thermostat	(16)		354324	
Main power switch	QS	255132		255211
Power supply	HL			255229
Cover	A	139139 * 139151 **		139147 * 139152 **
Condensate drains				

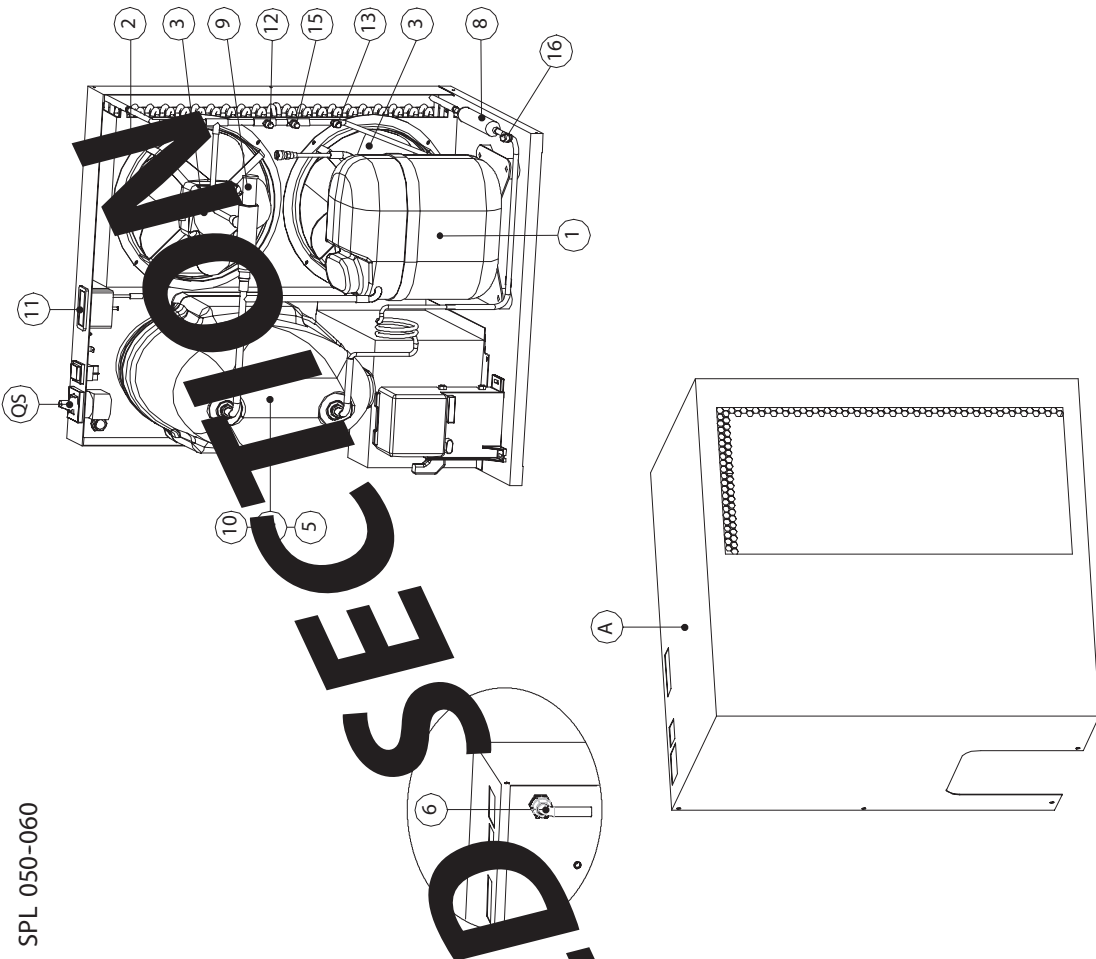
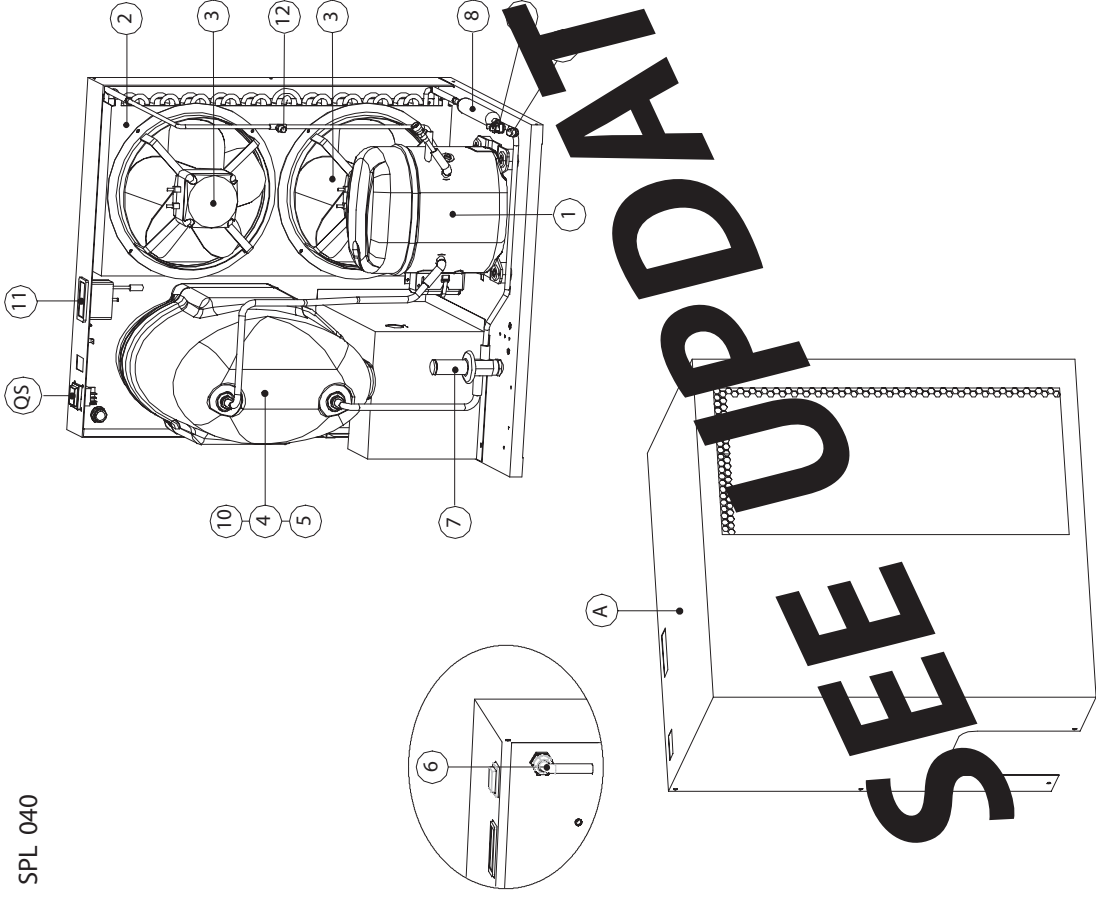
Individual spare parts

Drain maintenance should be performed every 12 months. For further information please see the Condensate drains Section.

* Black

** Light grey

SEE UPDATED SECTION

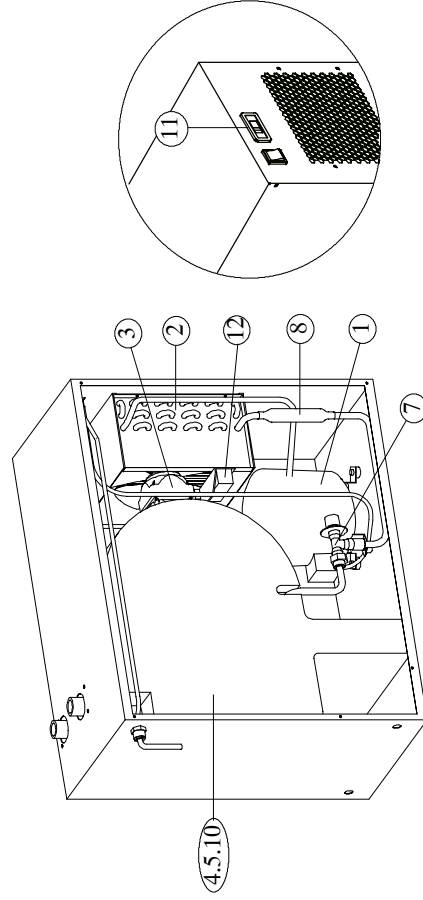


SEE UPD SECTION

SGB002 – 030 50Hz

	Pos.	SGB002	SGB004	SGB006	SGB009	SGB012	SGB018	SGB024	SGB030
3 year preventive maintenance kits	(11) (12)		-				473101		
Compressor kit	(1) (8)		473102		473103	473104		473105	473106
Fan kit	(3)		473110		473111	473112		473113	473114 473113
Automatic expansion valve kit	(7) (8)		473107 473108			473107			473109
Refrigerant condenser	(2)		114722		114723		114724	114725	114737 114752
Evaporator / Separator / Air – air heat – exchanger	(4) (5) (10)		472049	472050	472051		472052		472054
Refrigerant filter	(8)				206214				
Dewpoint indicator	(11)				354317				
Fan thermostat switch	(12)		-				354244		
Condensate drains									

Drain maintenance should be performed every 12 months. For further information please see the Condensate drains Section.



SPH004 – 018 50HZ

(Sheet 1 of 2)

	Pos.	SPH004	SPH006	SPH012	SPH018
Kits	(1) (8)	473116		473117	473148
	(3)	473110			473149
	(7) (8)		473108		
Individual spare parts	(2)	114800		114800	114800
	(4) (5)	512190		512190	512192
	(8)		06214		
	(9)				
	(11)		354317		
	(12)		354376		
	(13)		473399		
	(14)		378353		
	QS		255132		
	A		137926		139151
	Condensate drains				

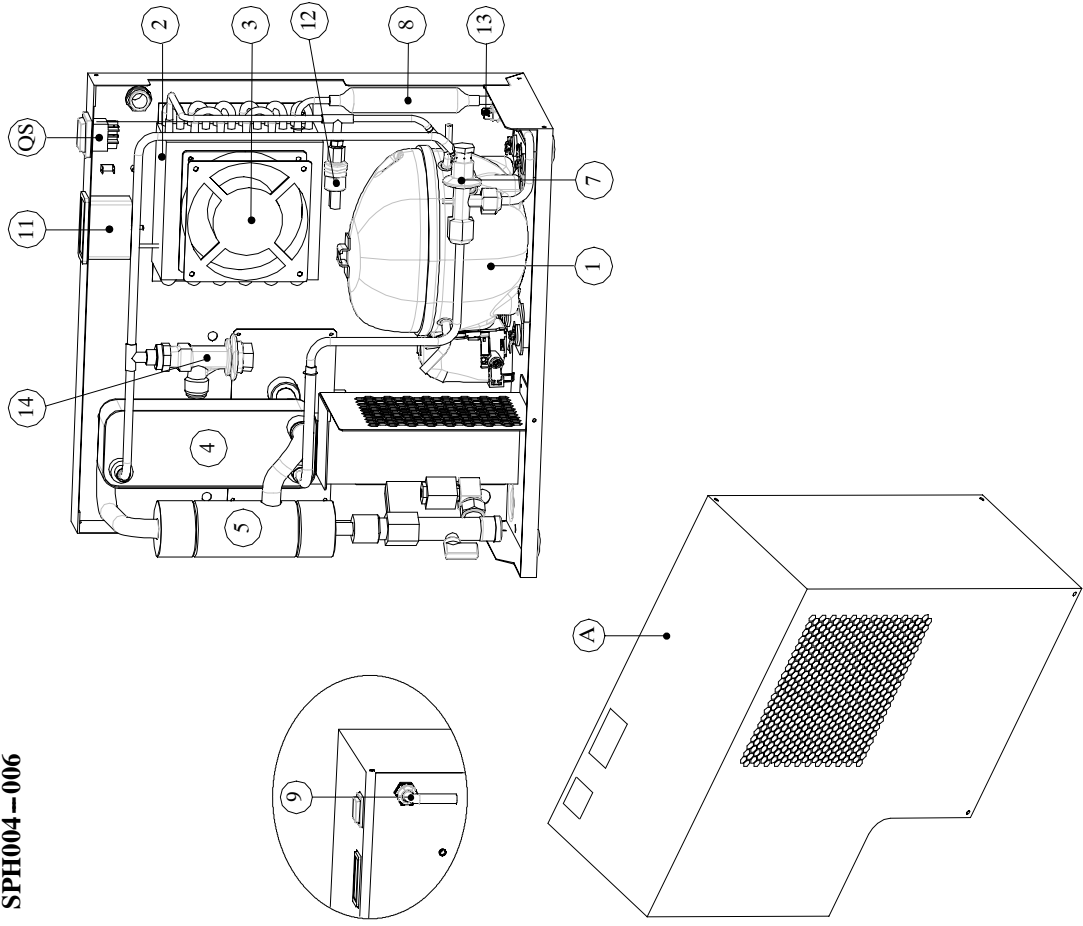
Drain maintenance should be performed every 12 months. For further information please see the Condensate drains Section.

SEE UPDATED SECTION

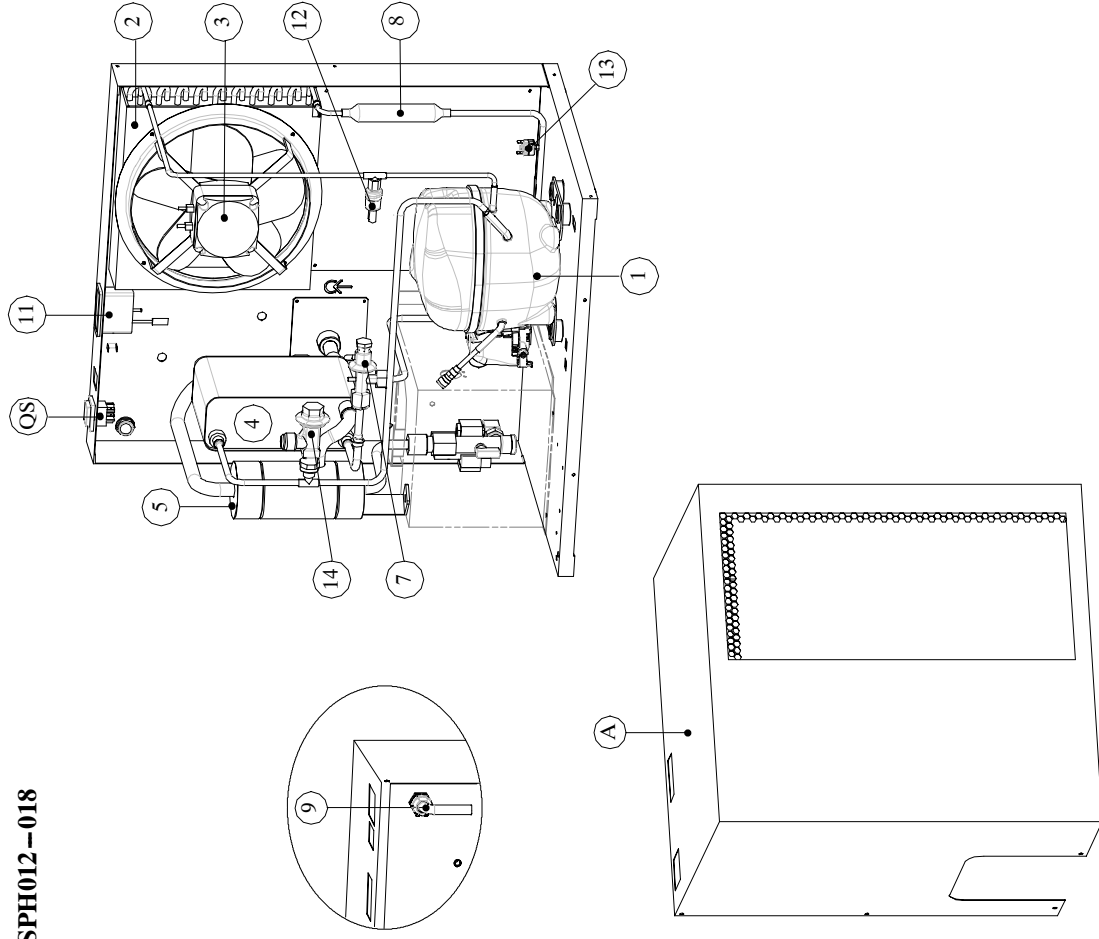
SPH004-018 50Hz

(Sheet 2 of 2)

SPH004-006



SPH012-018



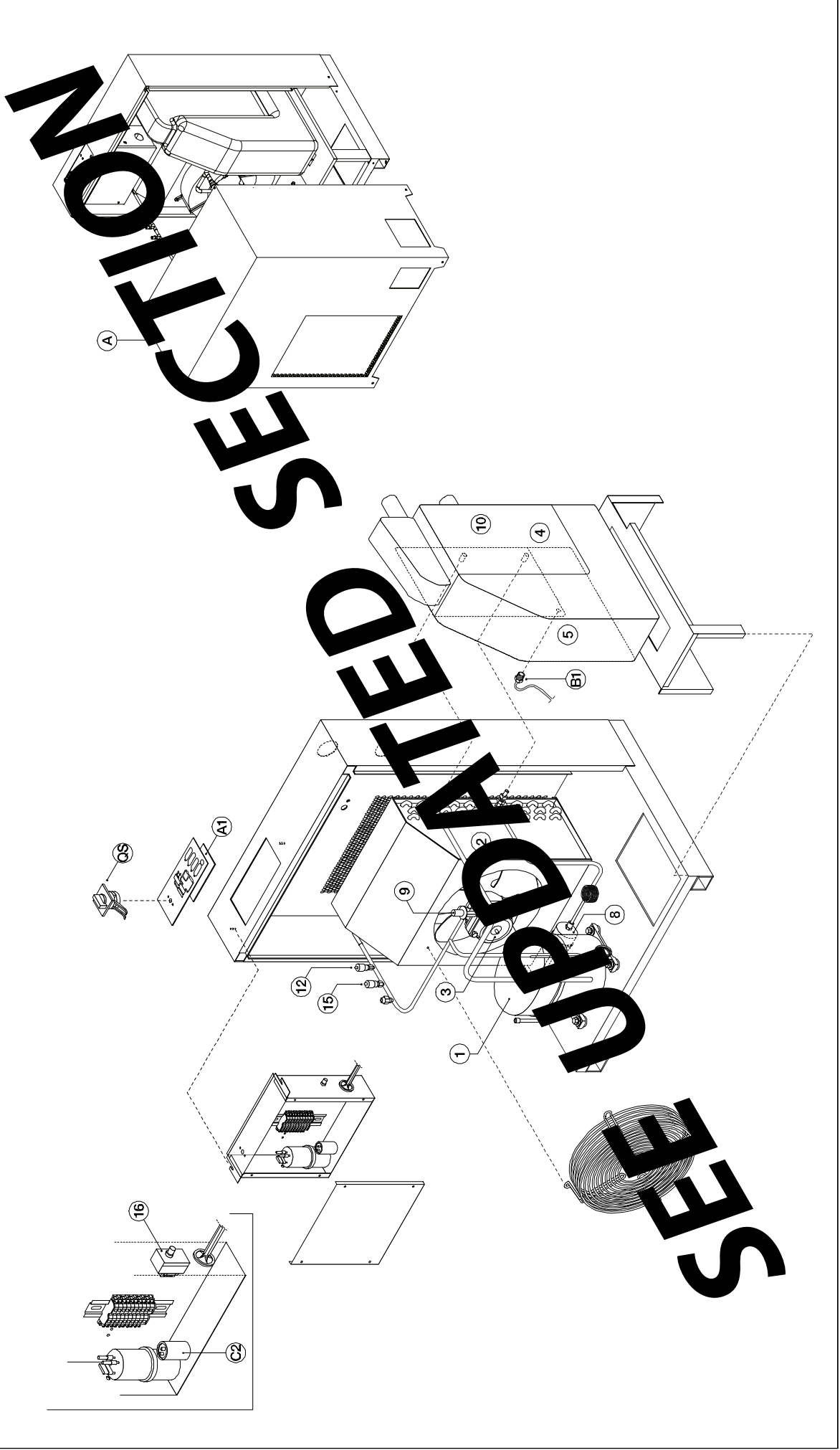
	Pos.	PST075	PST095
3 year preventive maintenance kits	(12) (15) (16) B1 C2	473000	
Compressor kits	(1) (8)	473004	
Fan kits	(3) C2	473252	
Hot gas valve kits	(8) (9)	473136	
Refrigerant condenser	(2)		
Evaporator / Separator / Air –air heat –exchanger	(4) (5) (10)		
Refrigerant filter	(8)	206219	
Fan pressure switch kit	(12)	473682	
High pressure switch		354053	
High temperature thermostat	(16)	354242	
Electronic controller		275763	
Dew point temperature sensor (3m)	B1	275894	
Major connections kit	QS	255211	
Fan caps	C2	254282	
Cover	A	137434 *	
Electrovalve for timer drain	-	137742 **	
Electrovalve for timer drain		698201	
Condensate drains	Drain maintenance should be performed every 12 months. For further information please see the Condensate drains Section.		

* Black

** Light grey

SEE UPDATED SECTION

Individual spare parts



	Pos.	PST120	PST140	PST180	PST220	PST260	PST300	PST350
3 year preventive maintenance kits	Ac	(6) (12) (15) B1 B2 B3 KM2			473001			
	Wc	(6) (15) B1 B2 B3	-			473008	473009	473702
Compressor kits	Ac/Wc	(1) (8) KM1	473005					
Fan kits	Ac	(3) KM2	473041	473042				473043
Hot gas valve kits	Ac/Wc	(8) (9)	473066			473139		
Water condenser kits	Wc	(2) (8)			473266		473267	
Refrigerant condenser	Ac	(2)	114797			114796		114797
Evaporator / Separator / Air - air heat - exchanger	Ac/Wc	(1) (6) (8) (9)	473066	473067			473068	
Low pressure switch	Ac/Wc	(6)			354054			
Refrigerant filter	Wc	(12)	206221					206223
Fan pressure switch kit	Ac/Wc	(15)			473682			
High pressure switch kit	Ac/Wc	(17)			354052			
Liquid line solenoid valve	Ac/Wc	(18)			378734			
Hot gas solenoid valve	Ac/Wc	(18)			378734			
Water pressure static valve	Wc	(22)	-					378206
Electronic controller	Ac/Wc	A1			275765			

Individual spare parts

SEE UPDATED SECTION

PST120—350 (Ac/Wc) 50HZ

(Sheet 2 of 5)

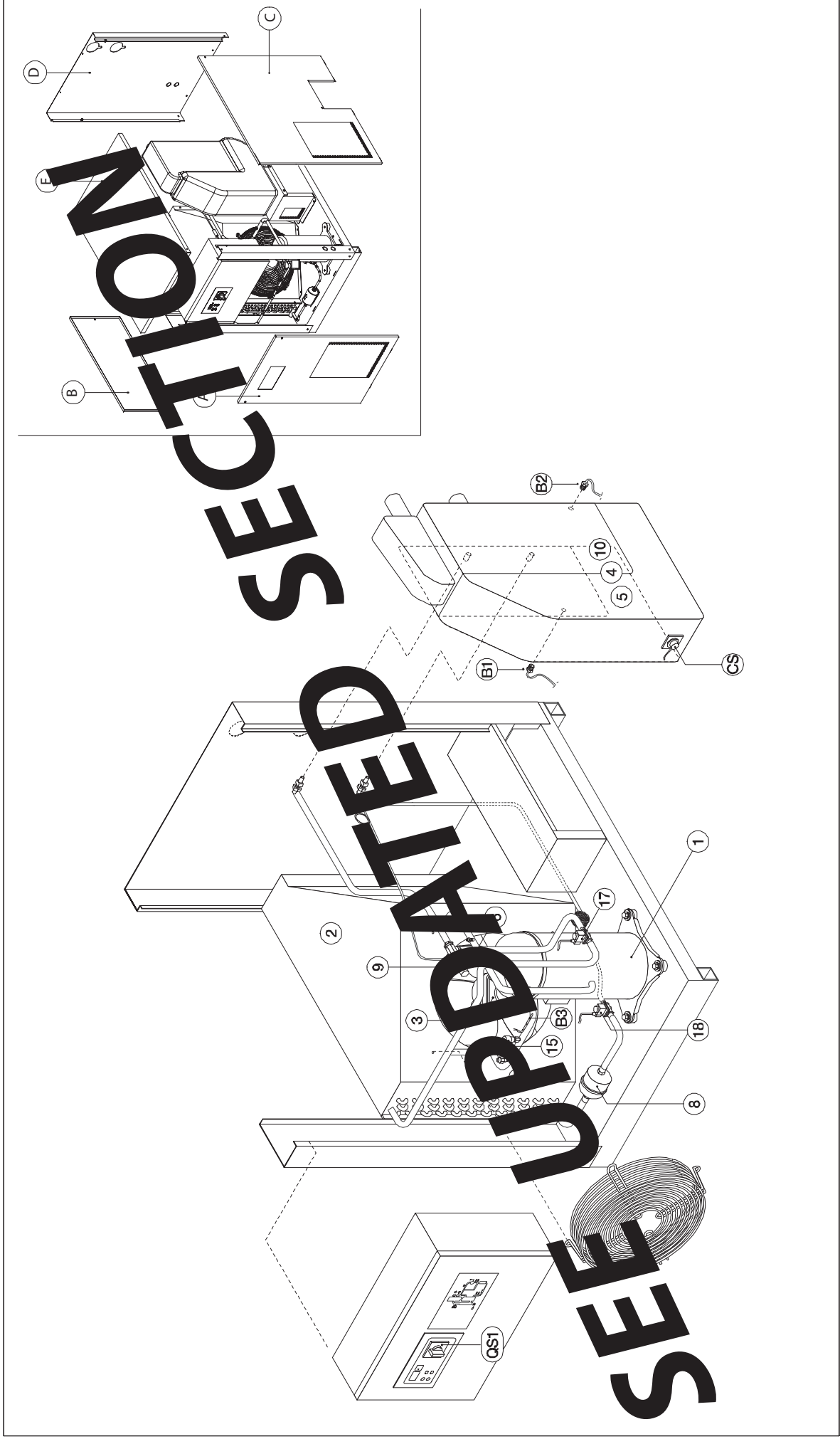
	Pos.	PST120	PST140	PST180	PST220	PST260	PST300	PST350
Dew point temperature sensor (3m)	B1				275894			
Evaporation temperature sensor (3m)	B2				275894			
Discharge temperature sensor (2.5m)	B3				275894			
Condensate level sensor	CS				275752			
Main disconnect switch	QS1		256416			256418		
Automatic switch	QF1		256231			256235		
Auxiliary transformer	TC1				255904			
Fuses	FU1-2-3-4				473070			
Compressor contactor	KM1		256266			256248		
Fan contactor	KM2				256266			
High pressure alarm relay	KAT				256152			
Panels	A	Ac/Wc	137477 *			137368 *		
		Ac	137735 **			137743 **		
		Wc	137480			-		
Panels	B	Ac/Wc	-			137374 *		
		Ac				137745 **		
		Wc						
Panels	C	Ac/Wc	137479 *			137370 *		
		Ac	137736 **			137744 **		
		Wc						
Panels	D	Ac/Wc	137489			137485		
		Ac	137478			137369		
		Wc	-			137806		
Element valve for timer drain	-				698218			
Condensate drains		Drain maintenance should be performed every 12 months. For further information please see the Condensate drains Section.						

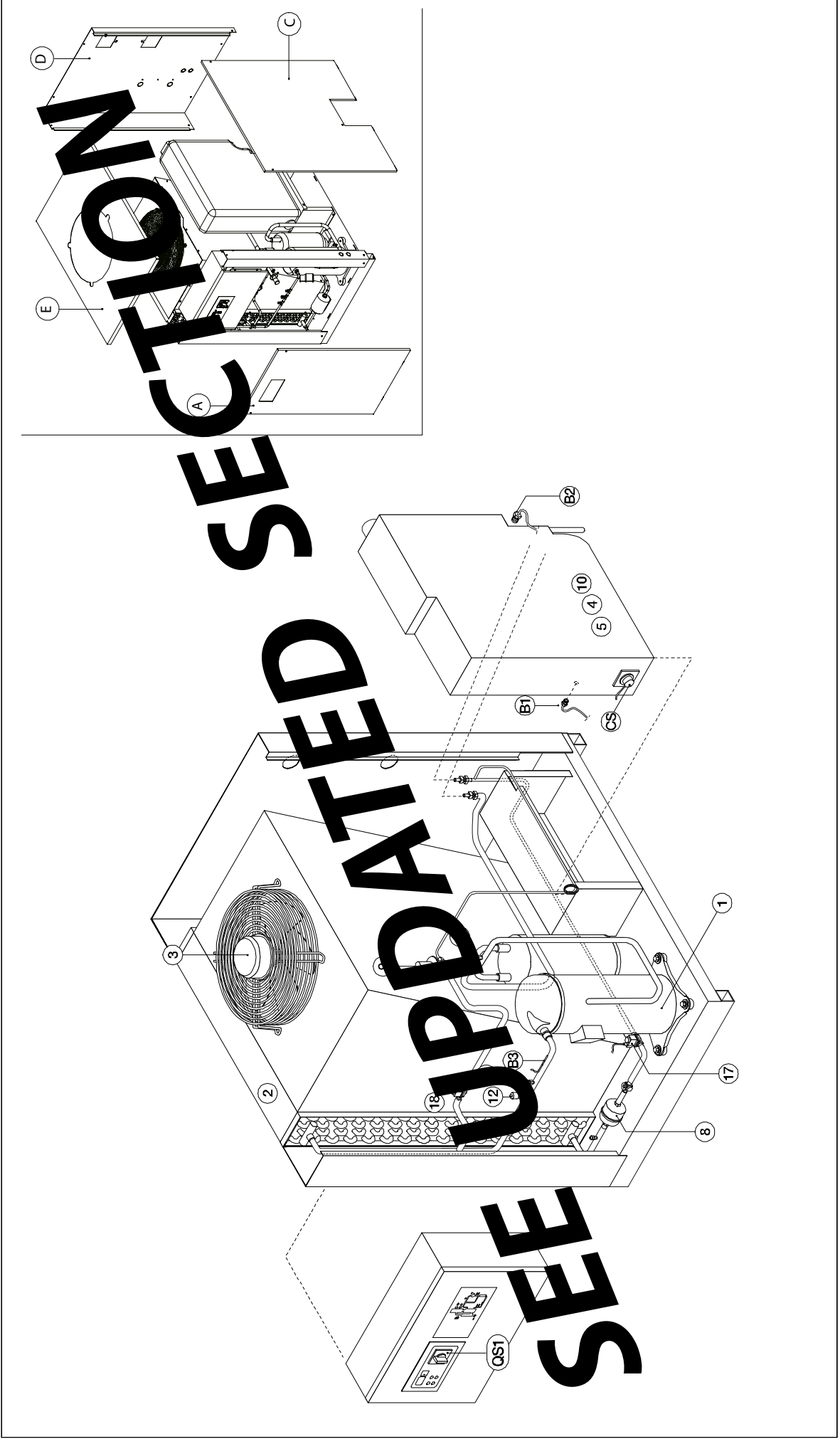
Individual spare parts:

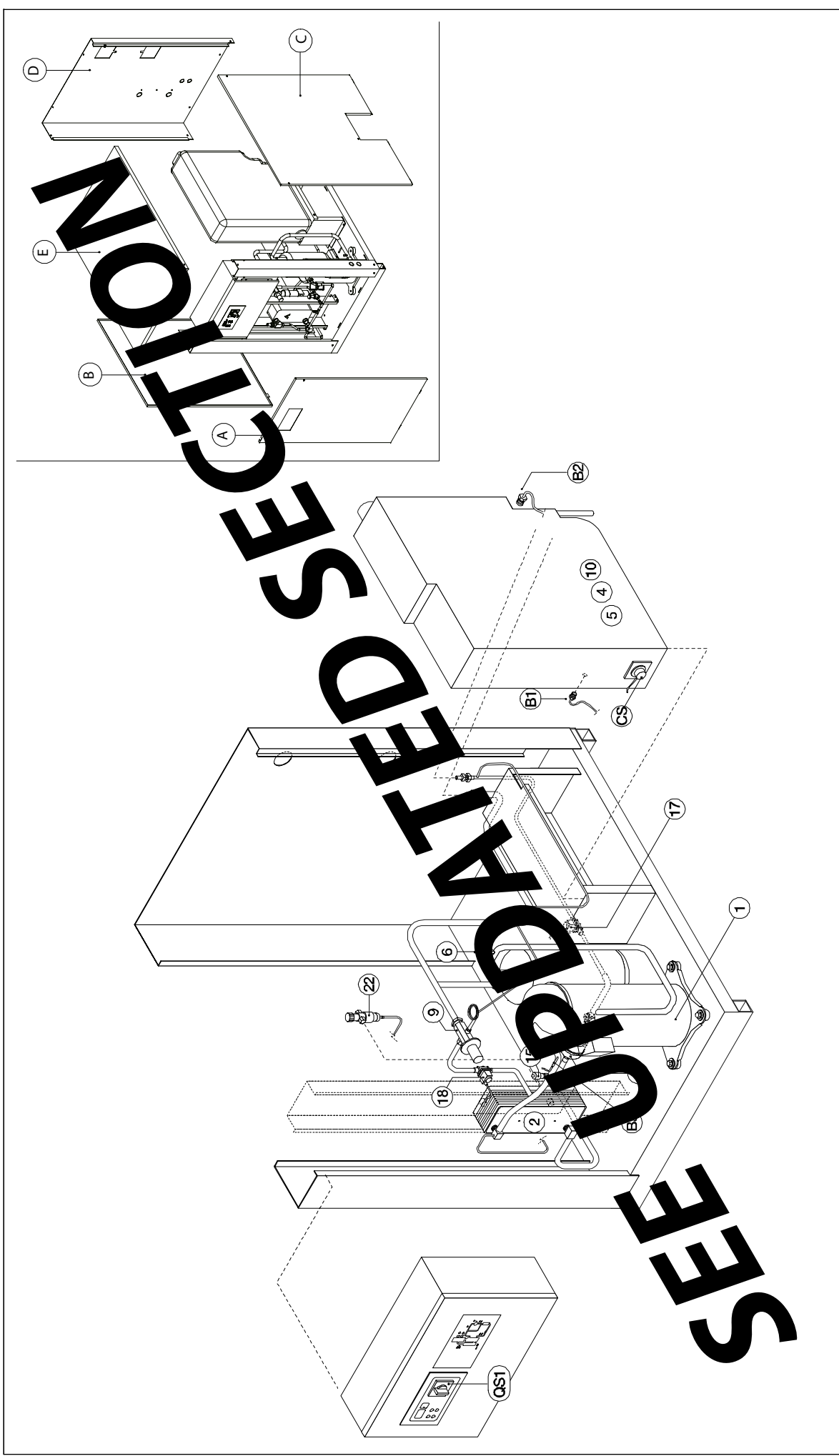
* Black

** Light grey

SEE UPDATED SECTION







PST460—1800 (Ac/Wc) 50HZ

(Sheet 1 of 9)

	Pos.	PST460	PST520	PST630	PST750	PST900	PST1200	PST1500	PST1800	
3 year preventive maintenance kits	Ac	(6) (12) (15) B1 B2 B3 KM2	473001							
	Wc	(6) (15) B1 B2 B3	473269							
Compressor kits	Ac/Wc	(1) (8) KM1	473010	473011	473012	473013	473014	473015	473016	
	Ac	(3) KM2	473043	473398	473044	473045				
Hot gas valve kits	Ac/Wc	(8) (9)	473139		473140	473672	473018			
Water condenser kits	Wc	(2) (8)	270		473271	473268				
Refrigerant condenser	Ac	(2)	114	114819	114815	114816	114817			
Evaporator / Separator / Air-air heat-exchanger	Ac/Wc	(4) (5) (10)	473068							
Low pressure switch	Ac/Wc	(6)	354054							
Refrigerant filter	Ac/Wc	(8)	206223							
Fan pressure switch kit	Ac	(12)	473682							
High pressure switch	Wc	(15)	354052							
Liquid line solenoid valve	Ac/Wc	(17)	378734							
Hot gas solenoid valve	Ac/Wc	(18)	378735	378736						
Water pressure valve	Wc	(22)	378201	378202	378203	378204				
Capillary tube	Ac/Wc	(26)	240570	240595					-	
Electronic thermostat	Ac/Wc	A1	275765							
Dewpoint / Evaporation temperature sensor (3m)	Ac/Wc	B1-B4	275894							
Evaporation temperature sensor (6m)	Ac/Wc	B2	275895							
Discharge temperature sensor (2.5m)	Ac/Wc	B3	275731							
Condensate level sensor	Ac/Wc	C5	275752							

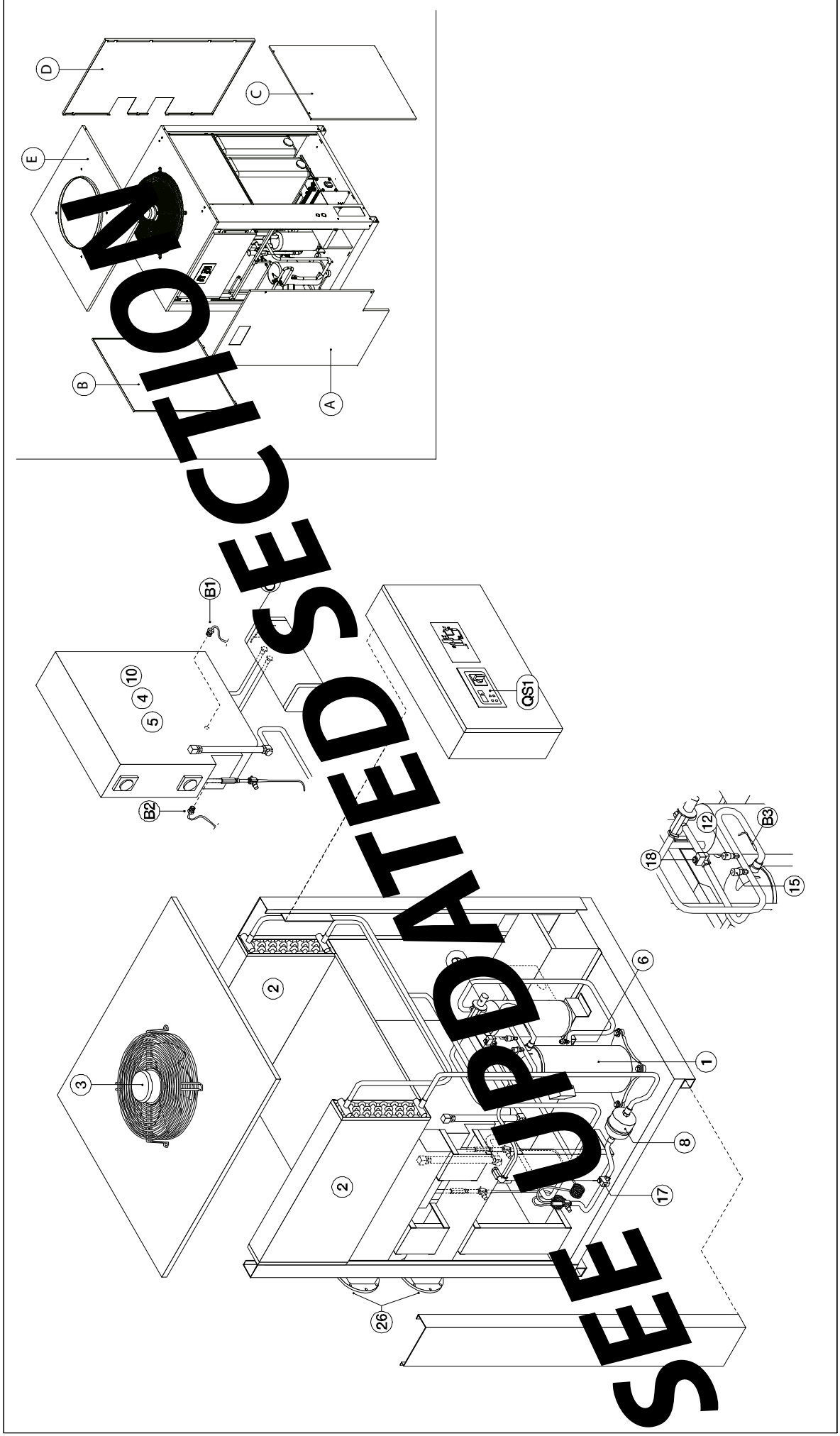
Individual spare parts

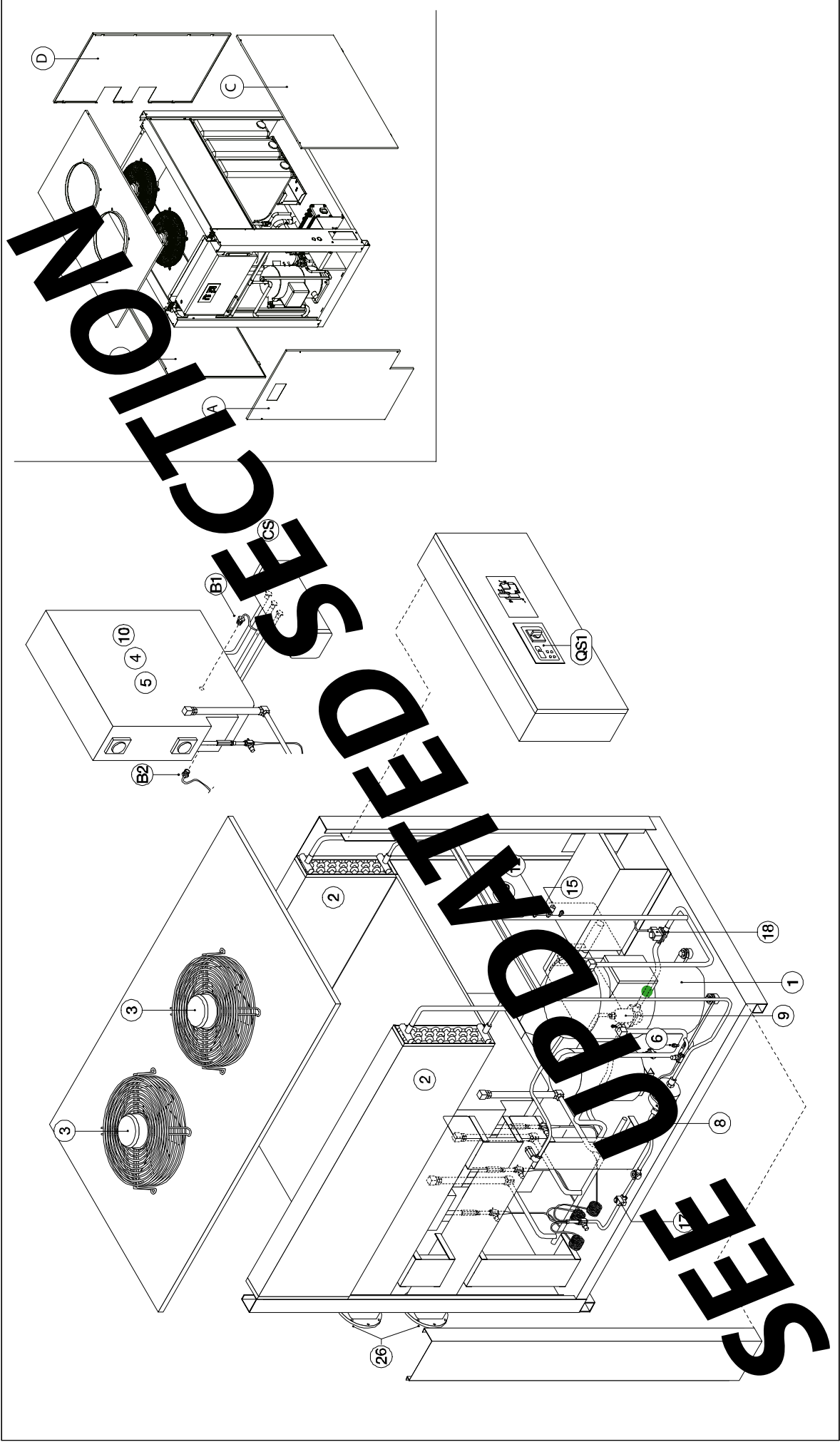
SEE UPDATED SECTION

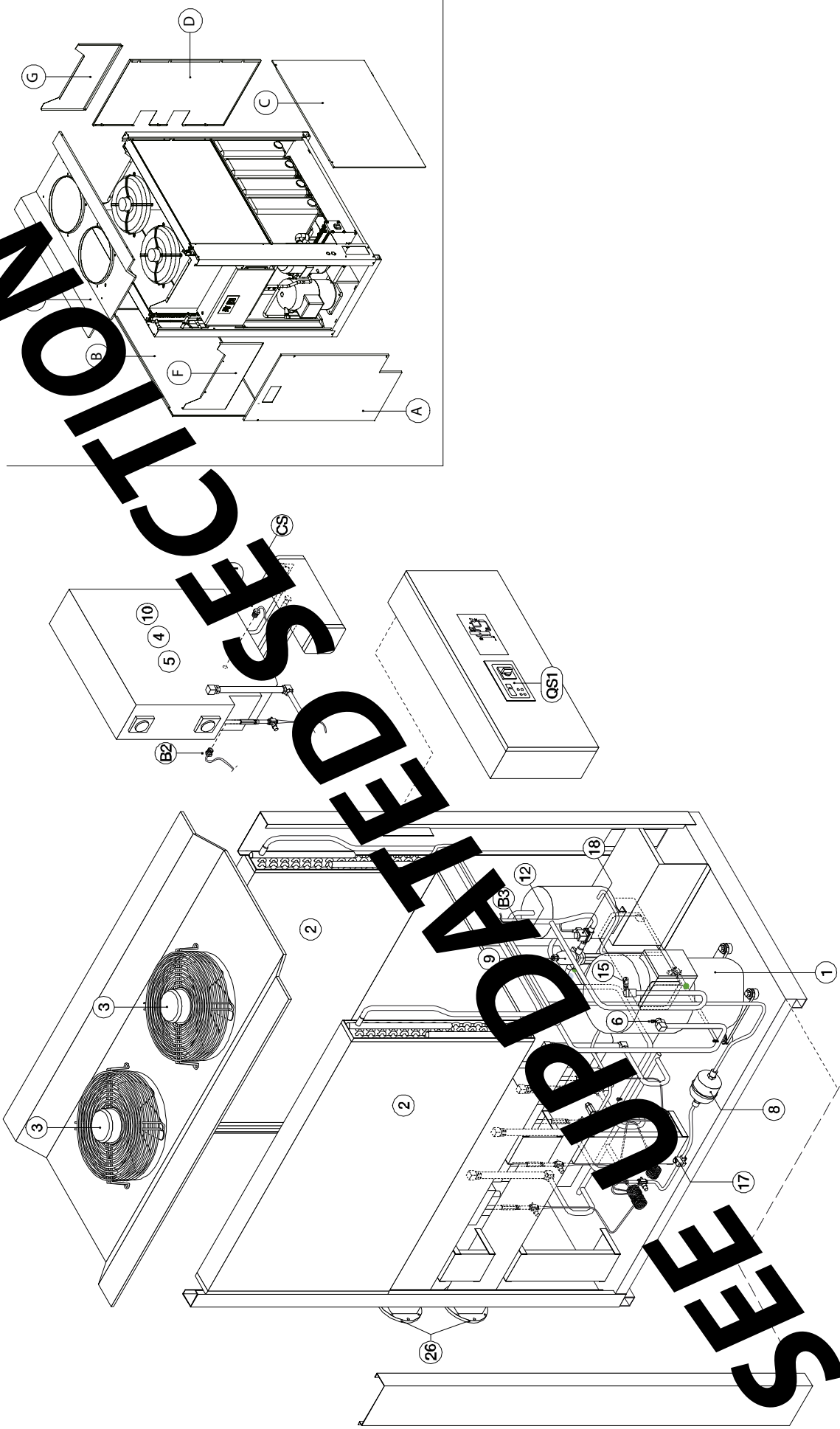
	Pos.	PST460	PST520	PST630	PST750	PST900	PST1200	PST1500	PST1800
Crankcase heater	EH1	328247			328244			328243	328242
Main disconnect switch	QS1	256418			256421	256421		256423	
Compressor/Fan automatic switch	QF1	256235		256241		256235		256459	
Fan automatic switch	QF2	-				2562			
Auxiliary transformer	TC1				25590				
Fuses	FU1-2-3-4				73070				
	FU11-21				254694				
Compressor contactor	KM1	256325			256325			256376	
Fan contactor	KM2	256266			256266				
Crankcase heater contactor	KM3							256266	
High pressure alarm relay	KAP				256152				
Timed crankcase heater relay	KT							255367	
Individual spare parts	Ac/Wc				137385 *				
	Wc				137747 **				
	Wc	127374* 137745**			137394 * 137746 **			137792	
	Wc	127374* 137745**			137394 * 137746 **				
	Wc	127374* 137745**			137394 * 137746 **			137791	
	Ac				137386				137795
Panels	Ac	137375	139068	137380	137388	137396	137396	137790	
	Wc		139280		139277			137943	
Electrovalve for timer drain	Ac						137397	137794 *	
	Wc							137748 **	
Condensate drains	Ac		137810		137813		137817	137817	
	Wc		137810		137813		137397	137794	
								137818	
Drain maintenance should be performed every 12 months. For further information please see the Condensate drains Section.					698218				

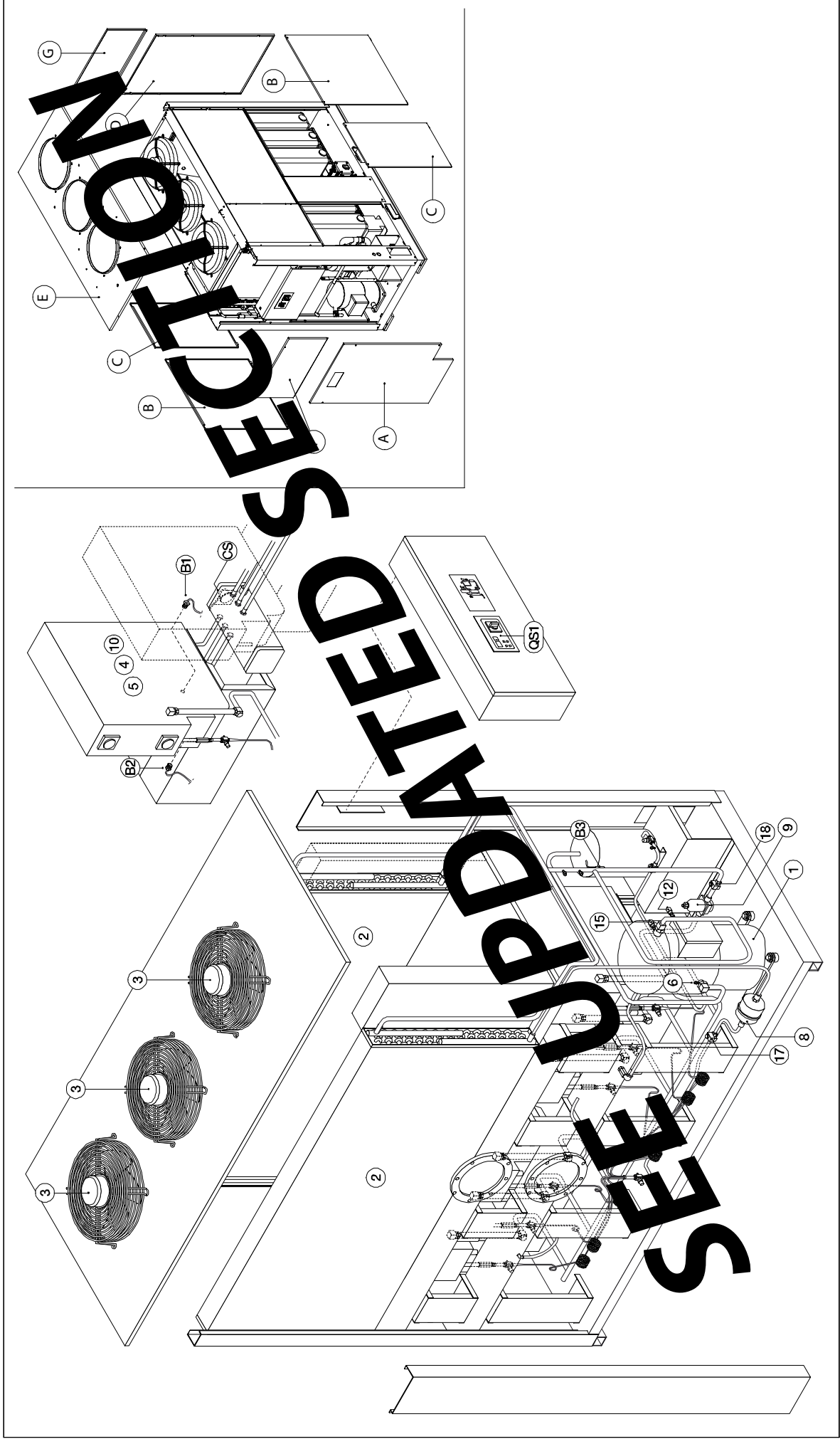
* Black

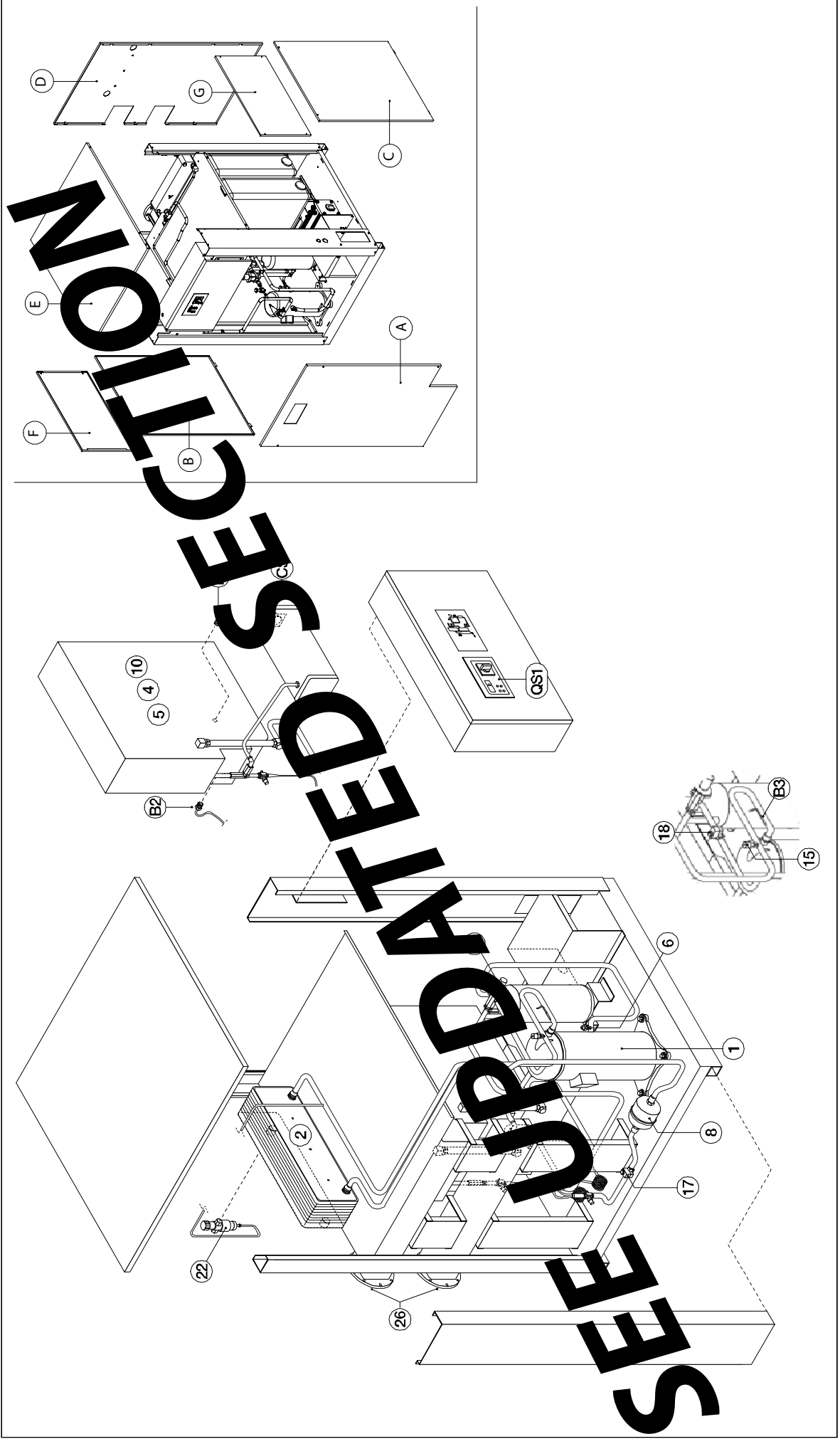
** Light grey

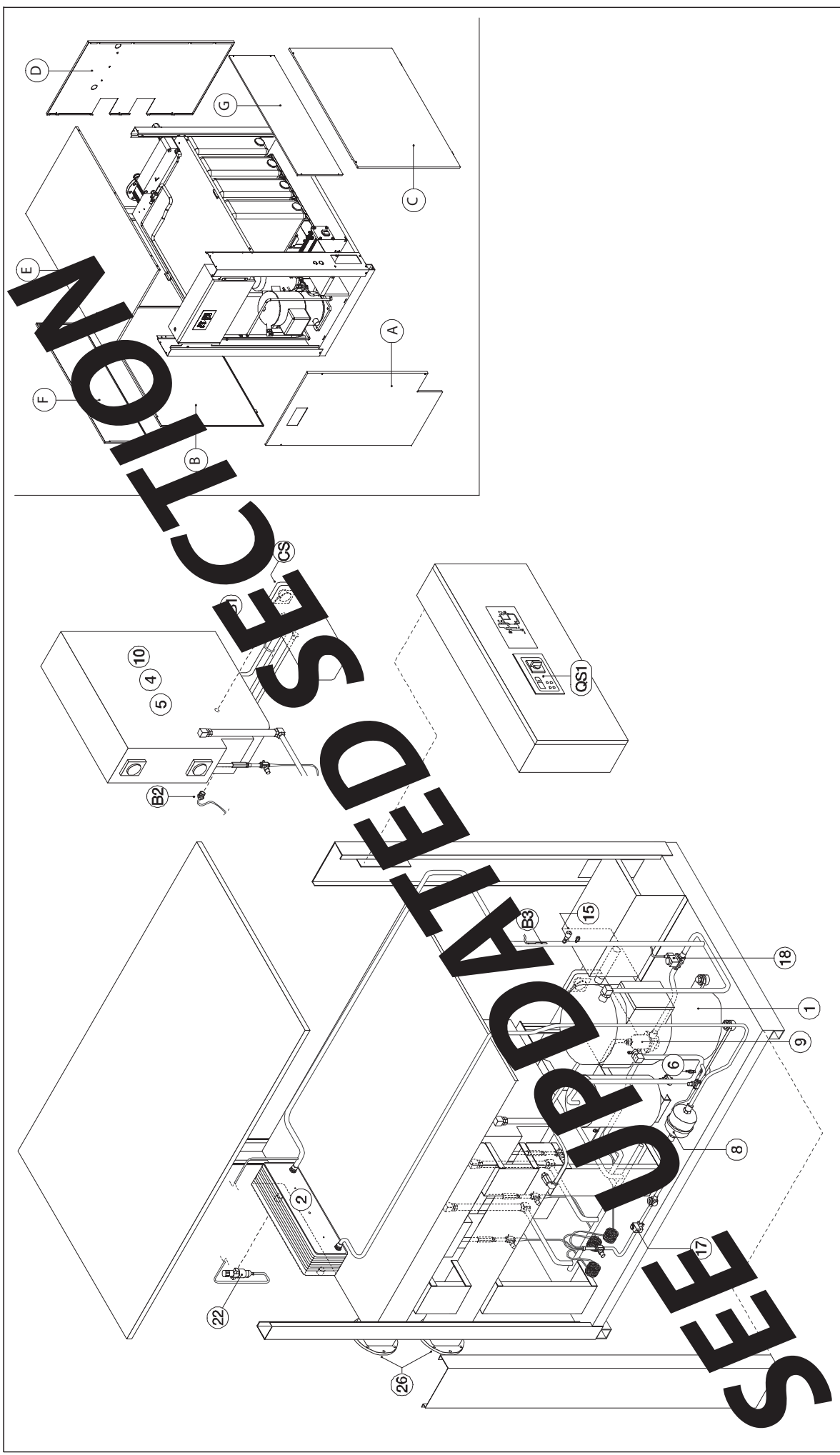


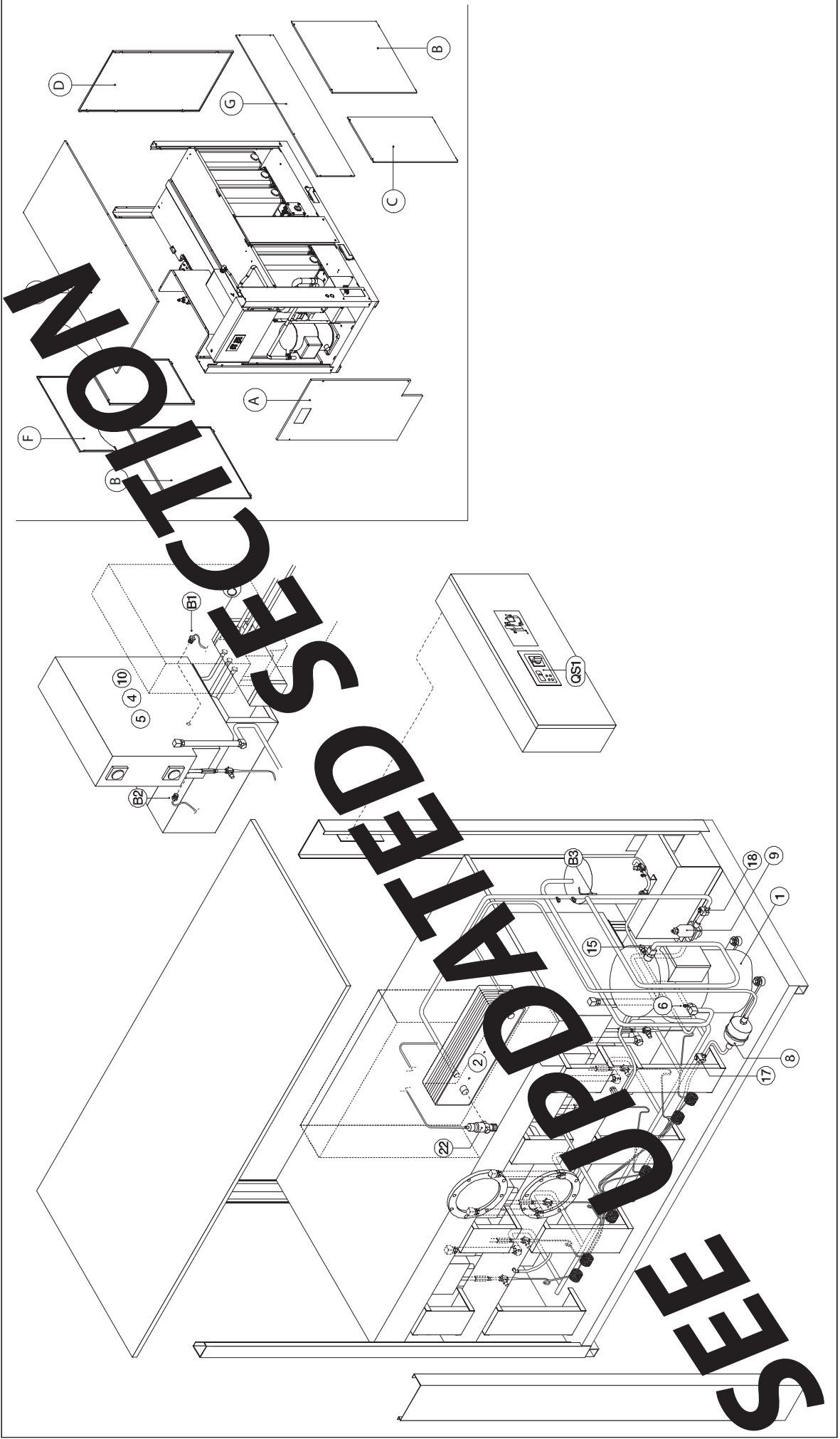








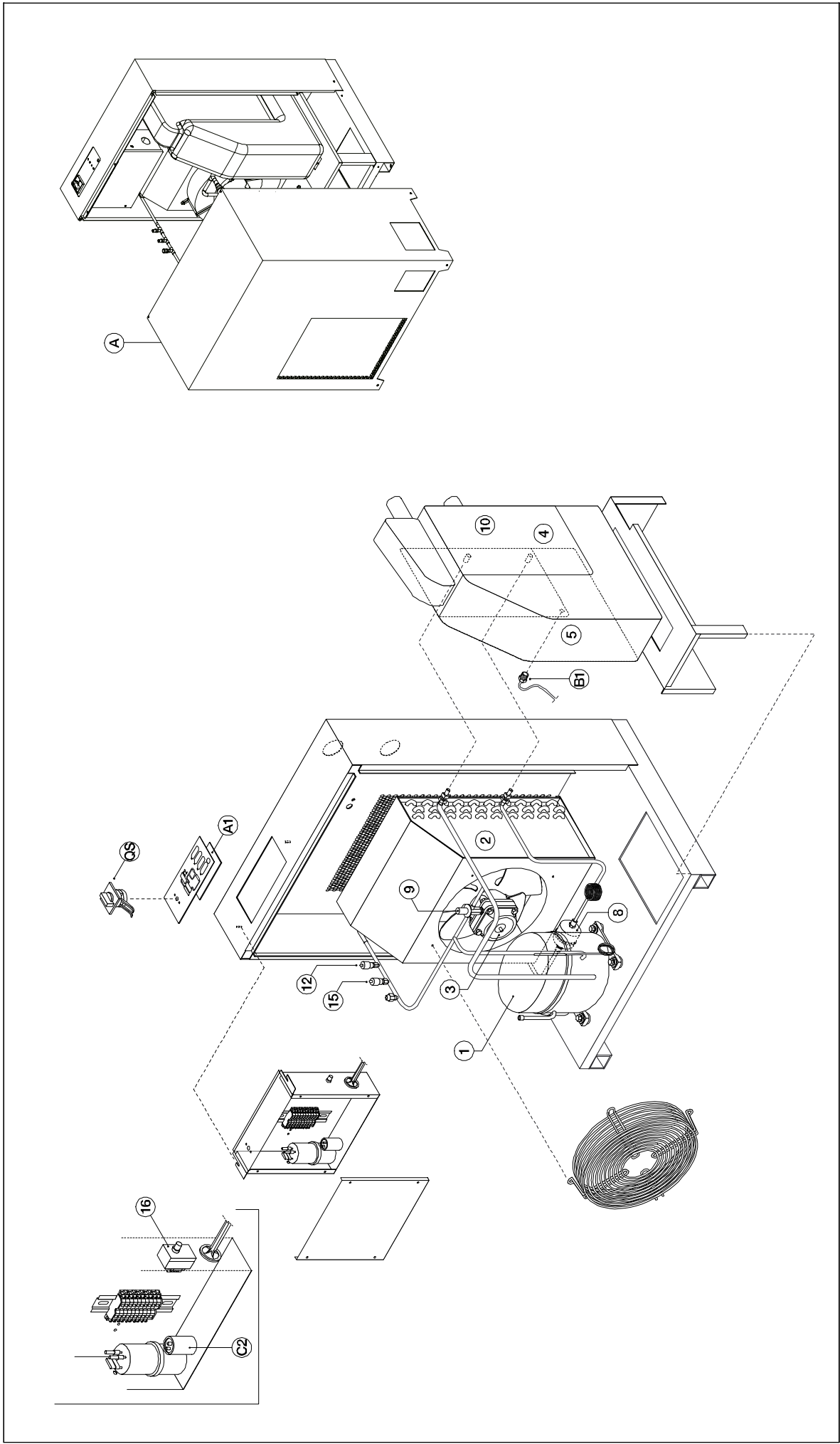




PST040 –060 50Hz

(Sheet 1 of 2)

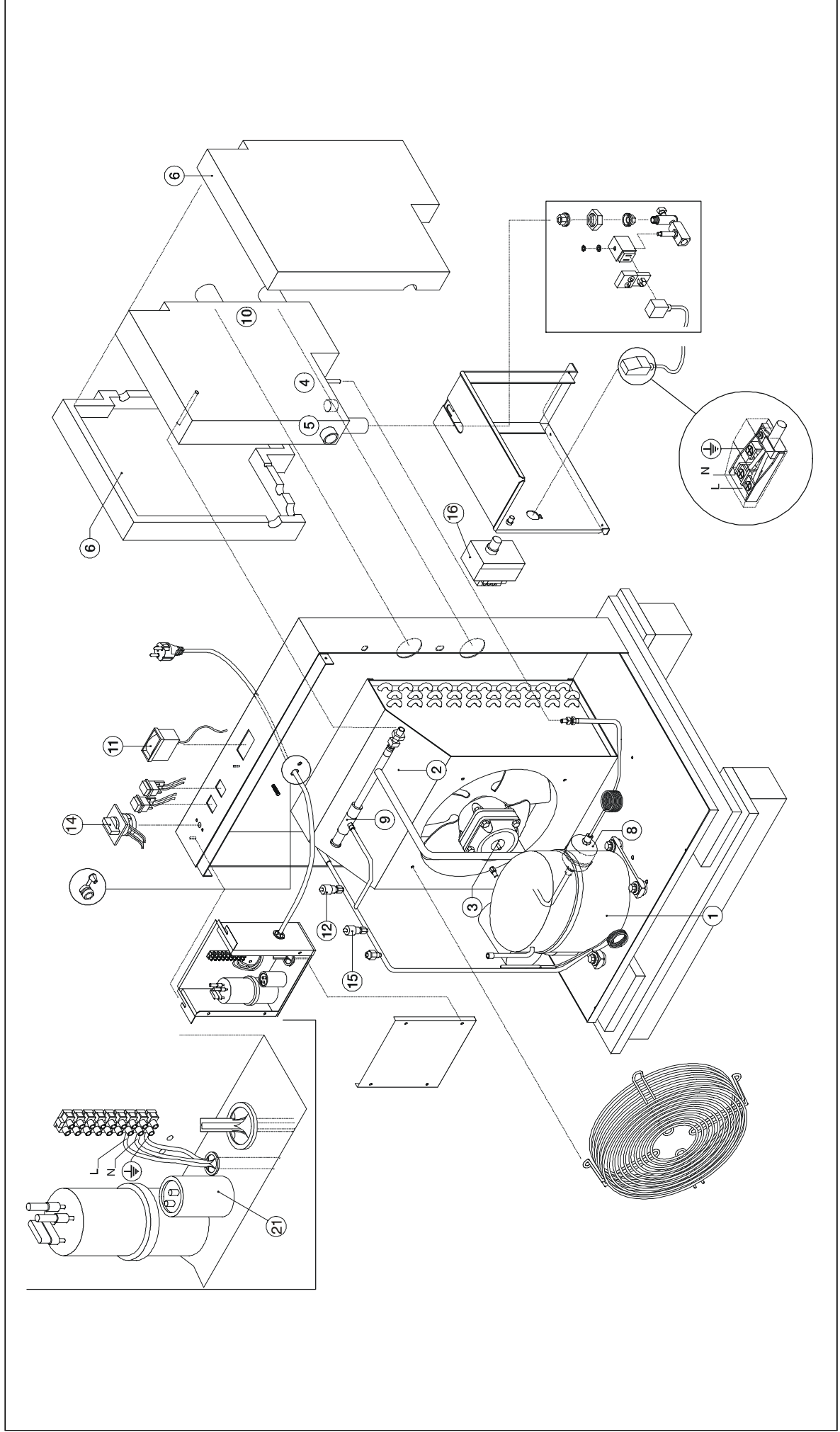
	Pos.	PST040	PST050	PST060
3 year preventive maintenance kits	(12) (15) (16) B1 C2		473000	
Compressor kits	(1) (8)	473122	473123	473124
Fan kits	(3) C2		473984	
Hot gas valve kits	(8) (9)		473136	
Refrigerant condenser	(2)	114736	114726	114791
Evaporator / Separator / Air – air heat – exchanger	(4) (5) (10)	473507		473508
Refrigerant filter	(8)		206219	
Fan pressure switch	(12)		354055	
High pressure switch	(15)		354053	
High temperature thermostat	(16)		354242	
Electronic controller	A1		275763	
Dew point temperature sensor (3m)	B1		275894	
Main disconnect switch	QS		255211	
Fan capacitor	C2		254282	
Fan relay	KMI		255944	
Cover	A		137309	
Electrovalve for timer drain	-		698201	
Condensate drains	Drain maintenance should be performed every 12 months. For further information please see the Condensate drains Section.			



PGN040--080 50Hz

(Sheet 1 of 2)

	Pos.	PGN040	PGN050	PGN060	PGN070	PGN080
3 year preventive maintenance kits	(11) (12) (15) (16) (21)			473120		
Compressor kits	(1) (8)	473122	473124 473123	473124	473125	473126
Fan kits	(3) (21)			473984		
Hot gas valve kits	(8) (9)		473136			473137
Refrigerant condenser	(2)	114736	114726		114791	
Evaporator / Separator / Air – air heat – exchanger	(4) (5) (6) (10)		473507			473508
Refrigerant filter	(8)			206219		
Dewpoint indicator	(11)			354317		
Fan pressure switch	(12)			354055		
Main disconnect switch	(14)			255041		
High pressure switch	(15)			354053		
High temperature thermostat	(16)			354242		
Fan capacitor	(21)			254282		
Condensate drains	Drain maintenance should be performed every 12 months. For further information please see the Condensate drains Section.					



PGN110--1100 (Ac/Wc) 50Hz

(Sheet 1 of 6)

	Pos.	PGN110	PGN140	PGN180	PGN220	PGN270	PGN370	PGN450	PGN600	PGN770	PGN900	PGN1100
3 year preventive maintenance kits	Ac	(12) (15) (16) (31)					473121					
	Wc	(15) (16)	--			473150				473151		
Compressor kits	Ac/Wc	(1) (8) (32)	473127	473128	473129	473130	473131	473132	473133	473134		473135
	Ac	(3) (31)		473143		473144		473145		--		
Fan kits	Ac	(3) (31) (30a)			--				473146		473147	
	Ac/Wc	(8) (9)		473138		473139			473140			--
Hot gas valve kits	Ac/Wc		473138			473139				473141		
	Wc	(2) (8)				473152		473153	473154	473155		473156
Refrigerant condenser	Ac	(2)	114728	114729	114730	114731	114732		114733	114734		114735
Evaporator / Separator / Air-air heat-exchanger	Ac/Wc	(4)	473503	473504	473503	473504	473505		473504			473505
Refrigerant filter	Ac/Wc	(8)		206221				206223				
Fan pressure switch	Ac	(12)					354055					
Main disconnect switch	Ac/Wc	(14)		256416		256418				256421		256422
High pressure switch	Ac	(15)					354052					
	Wc			--				354053				
High temperature thermostat	Ac/Wc	(16)					354242					
Low pressure manometer	Ac/Wc	(17)					354000					
Water pressostatic valve	Wc	(28)		--		378202		378203			378205	

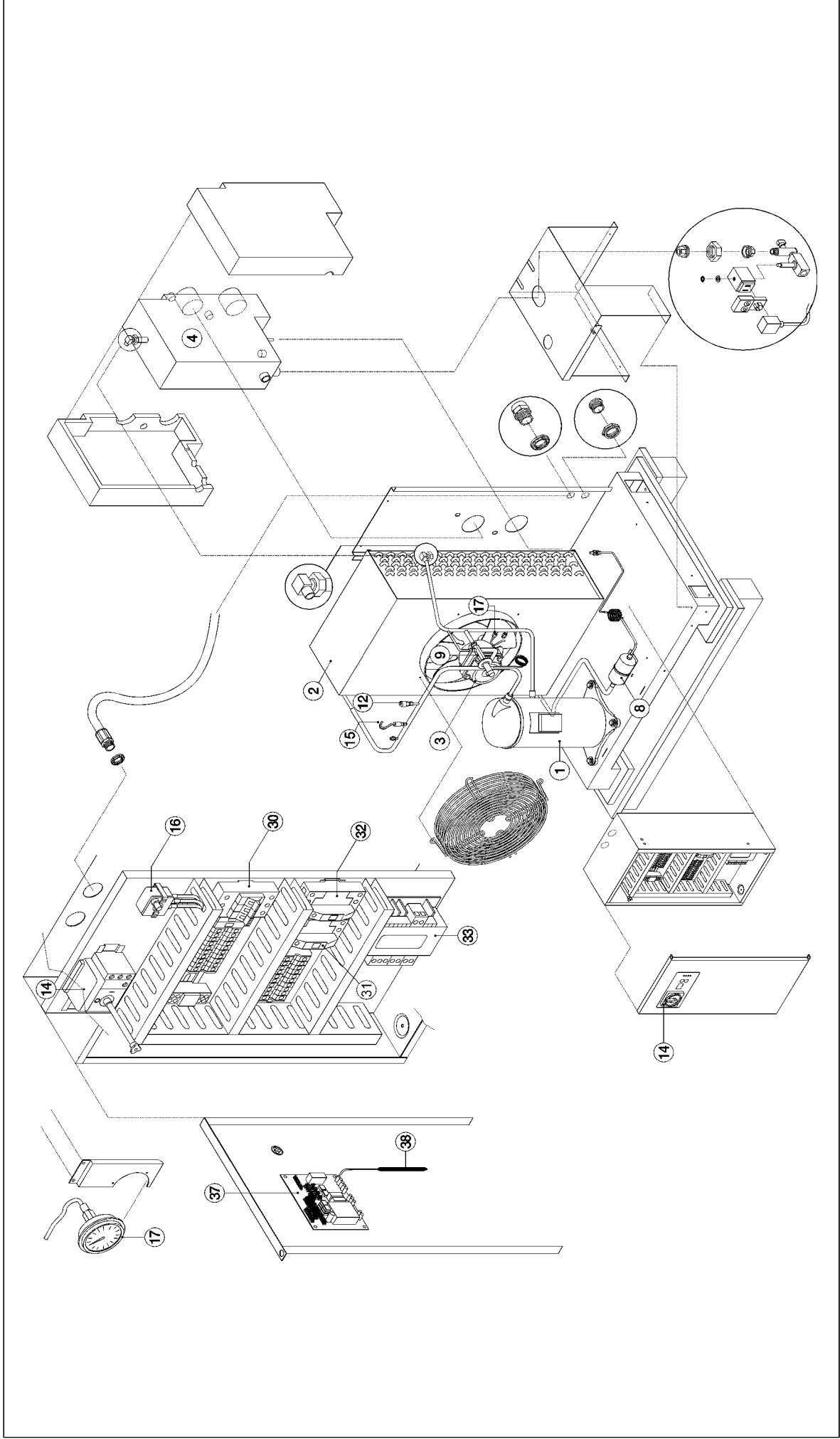
Individual spare parts

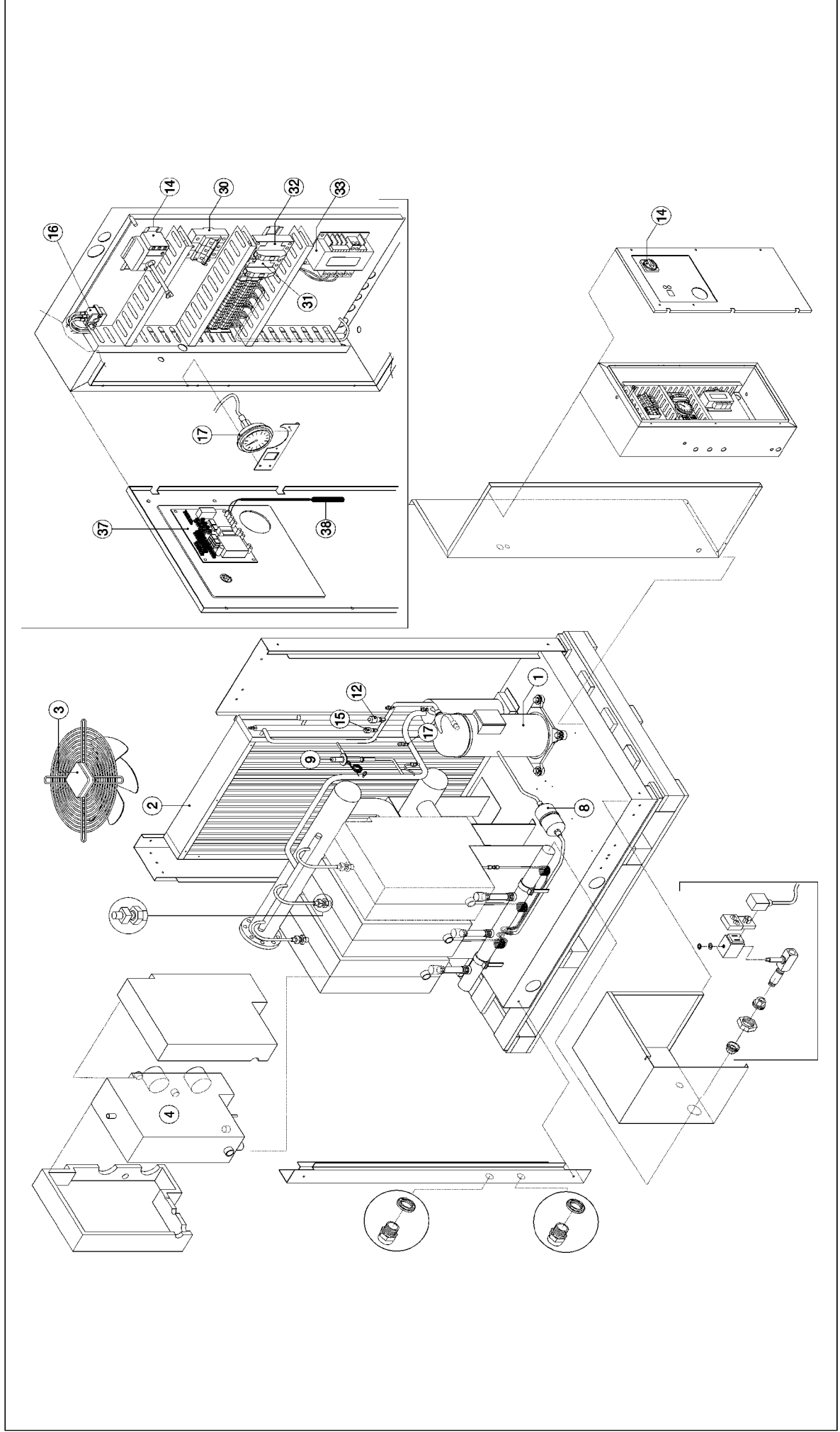
PGN110--1100 (Ac/Wc) 50Hz

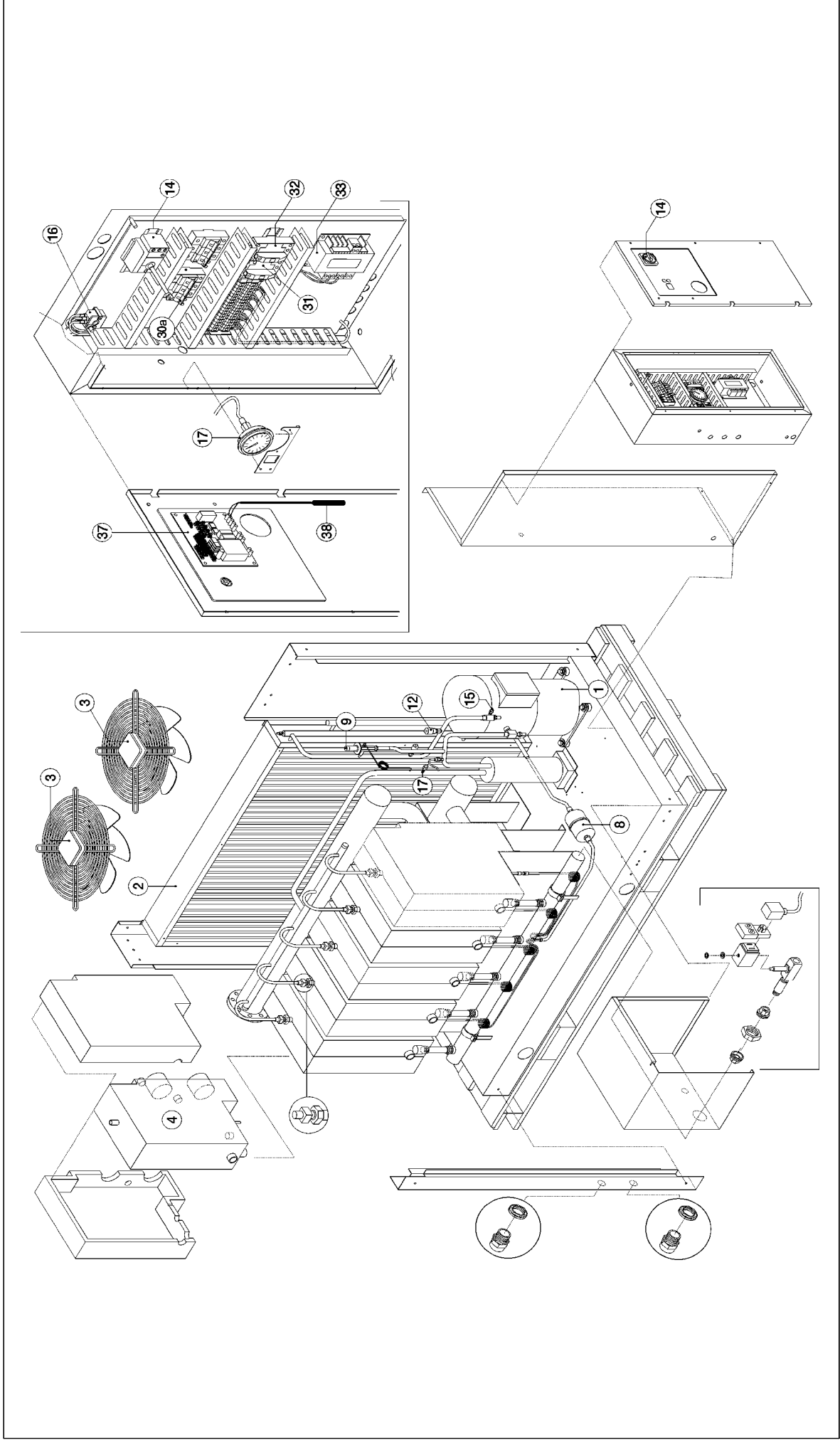
(Sheet 2 of 6)

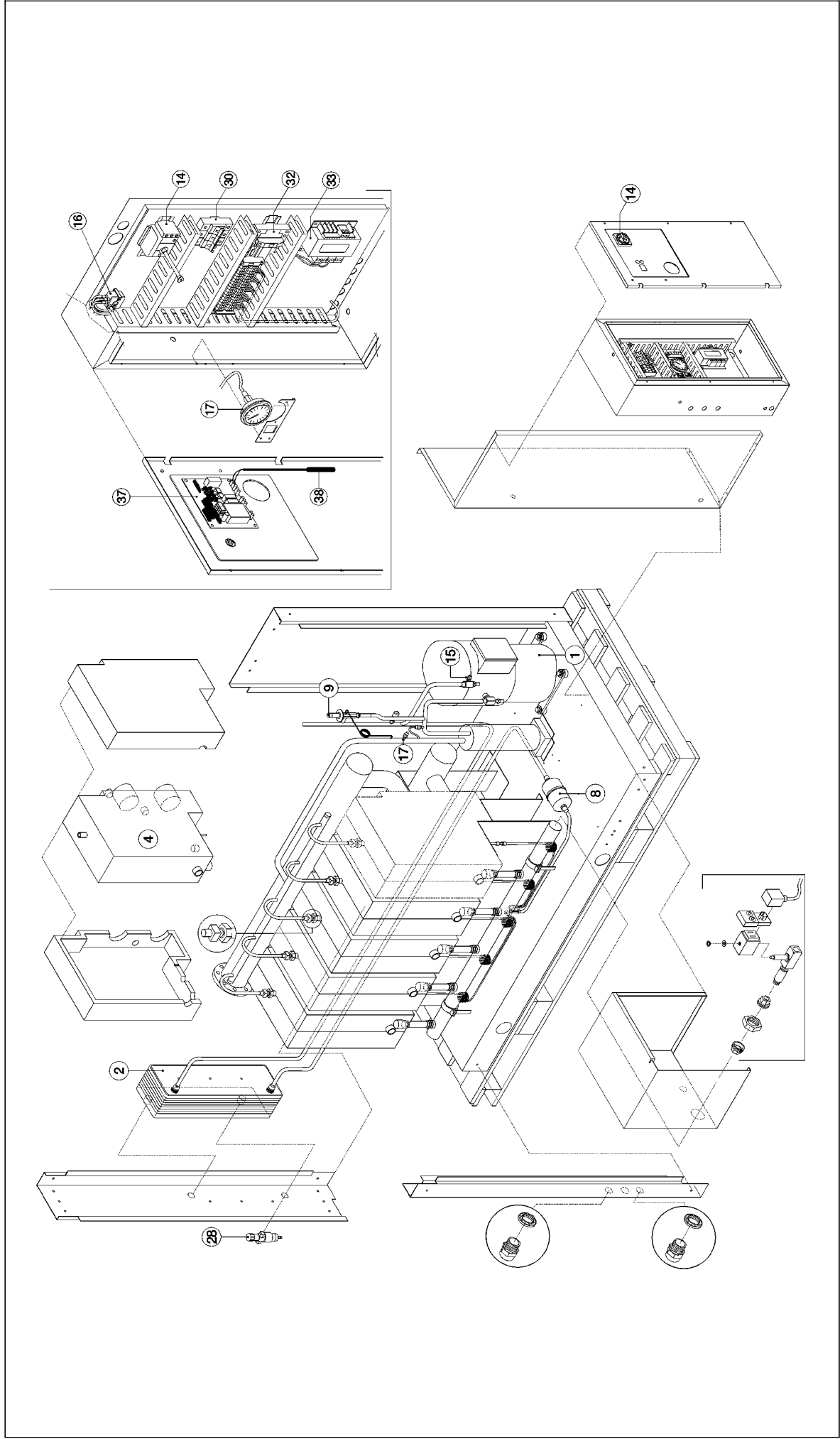
	Pos.	PGN110	PGN140	PGN180	PGN220	PGN270	PGN370	PGN450	PGN600	PGN770	PGN900	PGN1100
Automatic switch	(30)		256167			256195					-	
	(30a)				-						256218	
Fan contactor	(31)						256066					
Compressor contactor	(32)		256066			256071					256068	
Auxiliary transformer	(33)						256261					
Control panel	(37)						275688					
Dew point temperature sensor (6m -- CAREL)	(38)						275895					
Dew point temperature sensor (4m -- SGJE)								275266				
Condensate drains	Drain maintenance should be performed every 12 months. For further information please see the Condensate drains Section.											

Individual spare parts







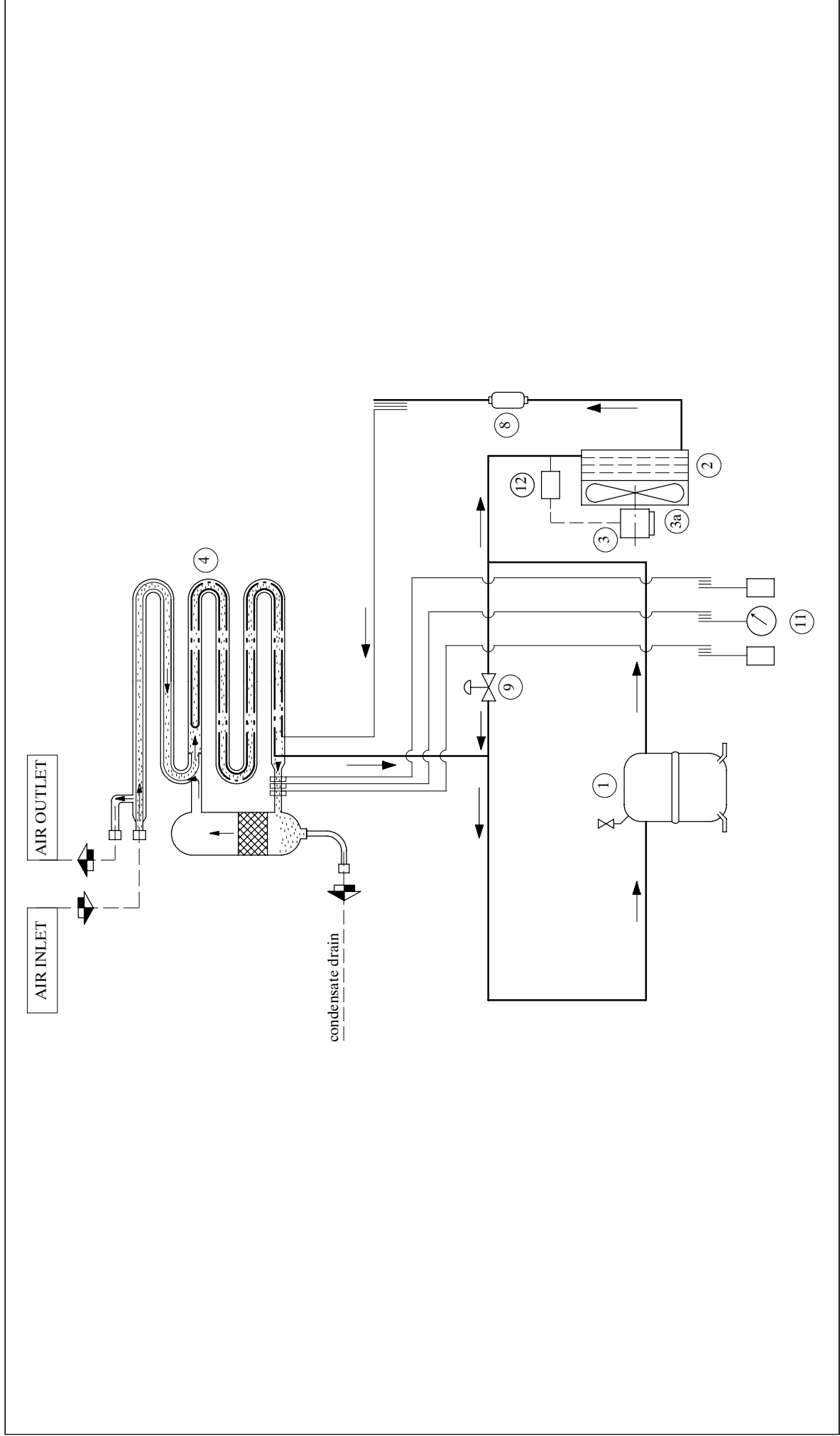


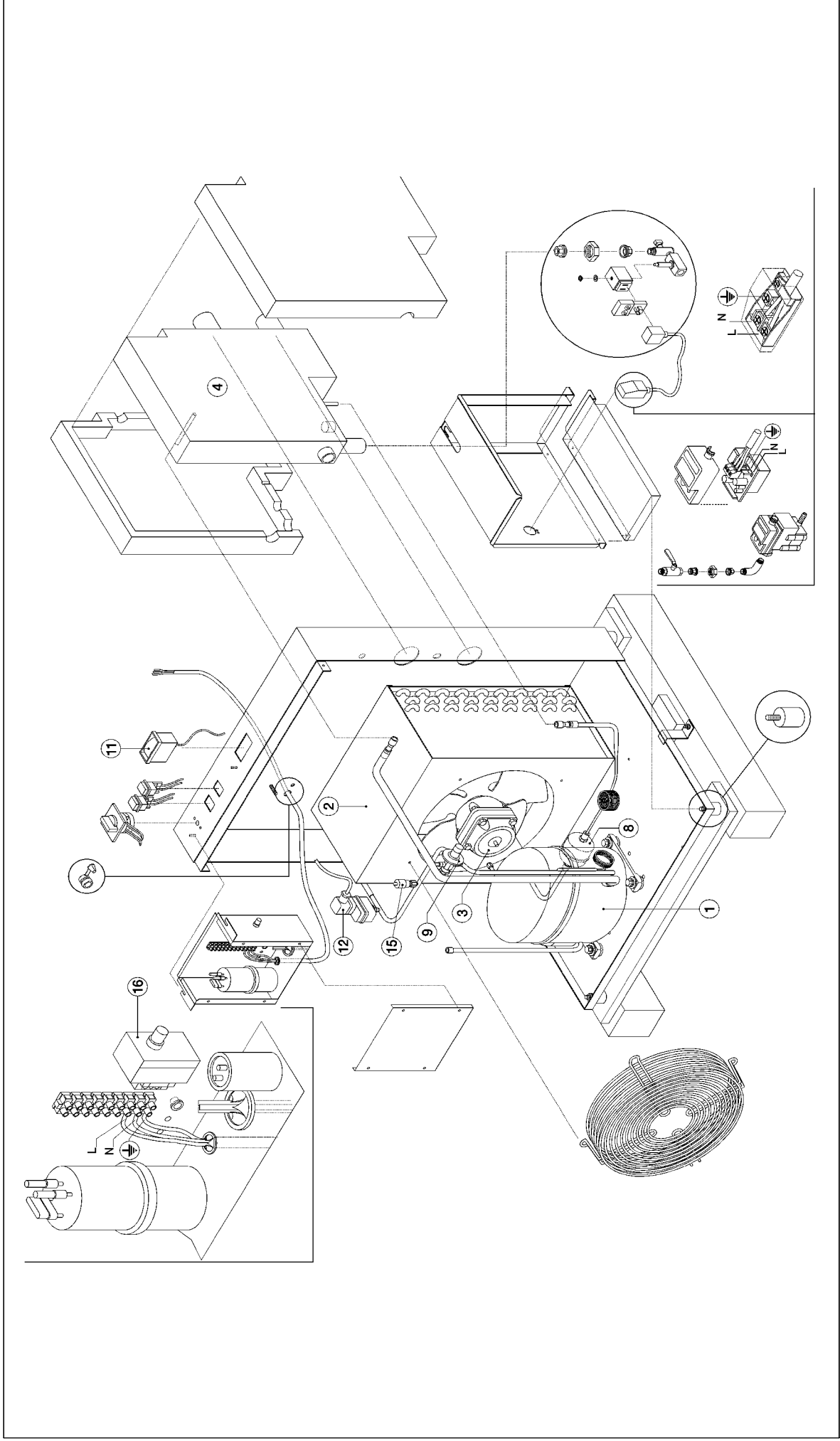
PGB006 – 080 50Hz

(Sheet 1 of 3)

	Pos.	PGB006	PGB012	PGB018	PGB022	PGB030	PGB040	PGB050	PGB060	PGB070	PGB080
Compressor	①	147088	147124	147143	147144	147143	147067	147719	147165	147166	147167
Refrigerant condenser	②	114327	114308		114700	114701	114702	114703		114721	
Fan motor	③	381664		381731				381402		381402	381744
Fan blade	③a	384016									
Evaporator / Separator / Air – air heat – exchanger	④		–		473506		473507			473508	
			473491	473493	473494		473495			473496	
Refrigerant filter	⑧			206209						206219	
Hot gas valve	⑨			378710						378613	
Dewpoint indicator	⑪					354317					
Fan pressure switch	⑫			473470						354055	
High pressure switch	⑮									354053	
High temperature thermostat	⑯		–					354242			
Main disconnect switch	HL			255104						–	
	QS			–						255041	
Condensate drains											

Drain maintenance should be performed every 12 months. For further information please see the Condensate drains Section.





PGE110 – 1100 (Ac/Wc) 50Hz

(Sheet 1 of 6)

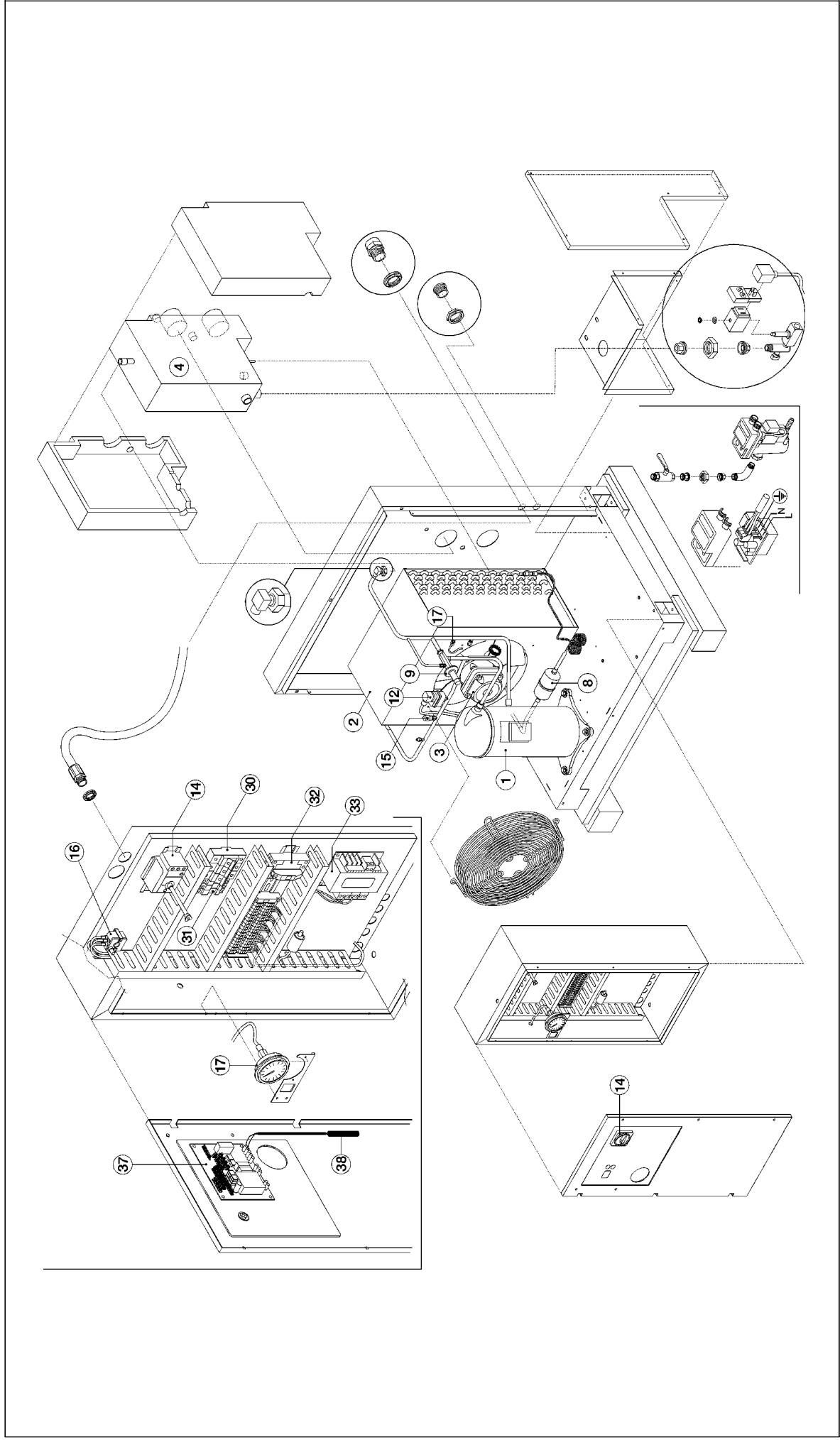
	Pos.	PGE110	PGE140	PGE180	PGE220	PGE270	PGE370	PGE450	PGE600	PGE770	PGE900	PGE1100
Compressor	①	Ac/Wc	147177	147173	147184	147183	147393	147180	147261	147262	147263	147264
Refrigerant condenser	②	Ac	114705	114706	114707	114708	114708	114732	114710	114711	114712	114716
		Wc	-	-	186101	186103	186106	186107	186107	186106	186107	186107
Fan motor	③	Ac	381733	381734	381734	381735	381735	381735	381735	381735	381735	381758
Evaporator / Separator / Air – air heat – exchanger	④	12 barg Ac/Wc	473503	473504	473505	473503	473504	473505	473504	473504	473504	473505
		16 barg Ac/Wc	473497	473498	473499	473497	473498	473499	473498	473498	473498	473498
Refrigerant filter	⑧	Ac/Wc	206226	206226	206226	206226	206226	206226	206226	206226	206226	206226
Hot gas valve	⑨	Ac/Wc	378607	378610	378610	378610	378610	378610	378610	378610	378610	378709
Fan pressure switch	⑫	Ac	354055	354055	354055	354055	354055	354055	354055	354055	354055	354055
Main disconnect switch	⑭	Ac/Wc	256416	256416	256416	256416	256416	256416	256416	256416	256416	256421
High pressure switch	⑮	Ac/Wc	354053	354053	354053	354053	354053	354053	354053	354053	354053	354053
High temperature thermostat	⑯	Ac/Wc	354242	354242	354242	354242	354242	354242	354242	354242	354242	354242
Low pressure manometer	⑰	Ac/Wc	354000	354000	354000	354000	354000	354000	354000	354000	354000	354000
Water pressostatic valve	⑳	Wc	-	-	378202	378202	378202	378203	378203	378203	378203	378205
		Ac	255036	255036	256217	256217	256217	256217	256217	256217	256217	256148
Automatic switch	㉑	Ac	-	-	256217	256217	256217	256217	256217	256217	256217	256198
		Wc	-	-	256217	256217	256217	256217	256217	256217	256217	256198
Auxiliary automatic switch	㉓	Ac/Wc	255033	255033	255033	255033	255033	255033	255033	255033	255033	255033
Compressor contactor	㉔	Ac/Wc	256033	256071	256071	256071	256071	256071	256071	256071	256071	256068

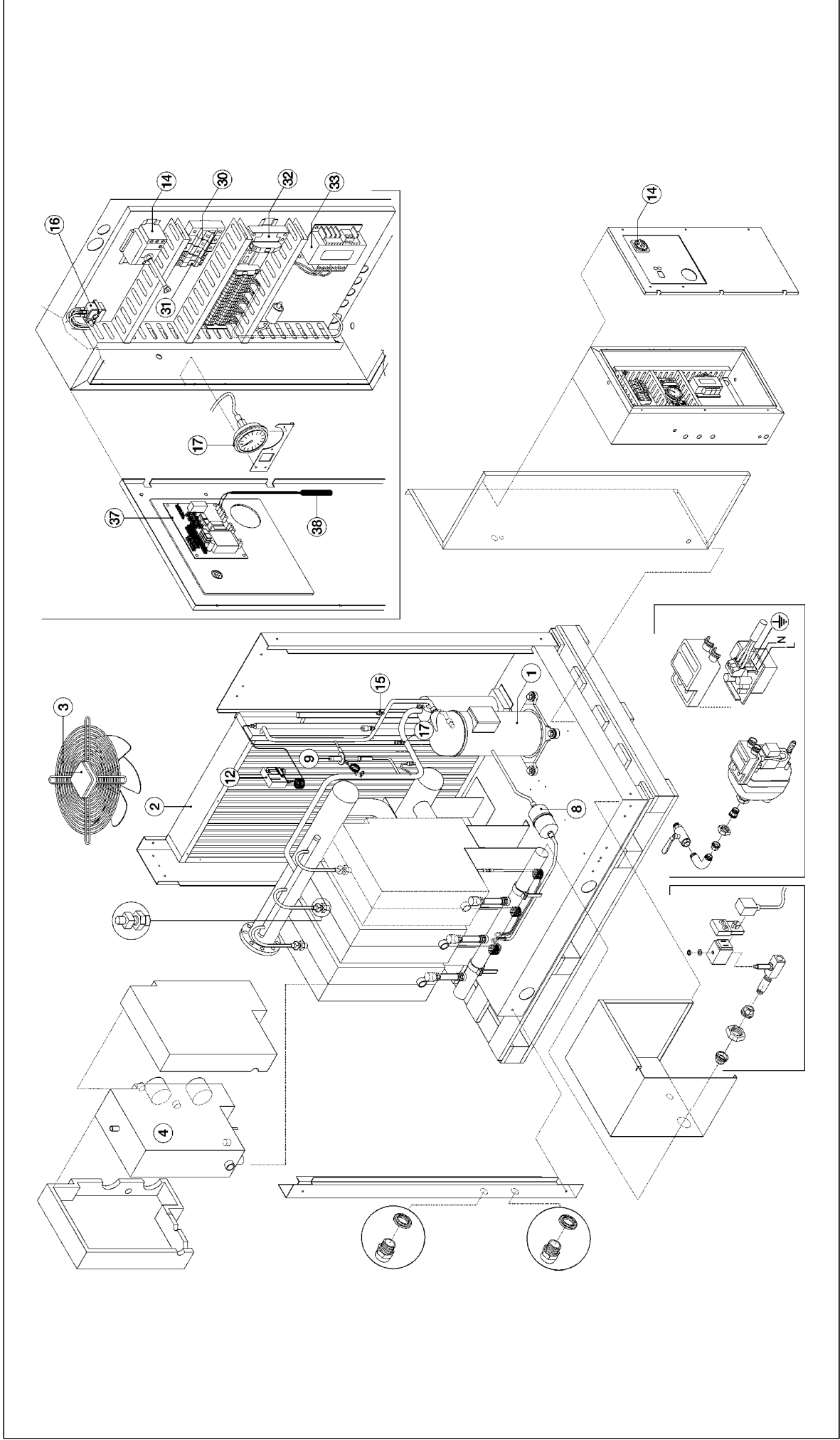
Individual spare parts

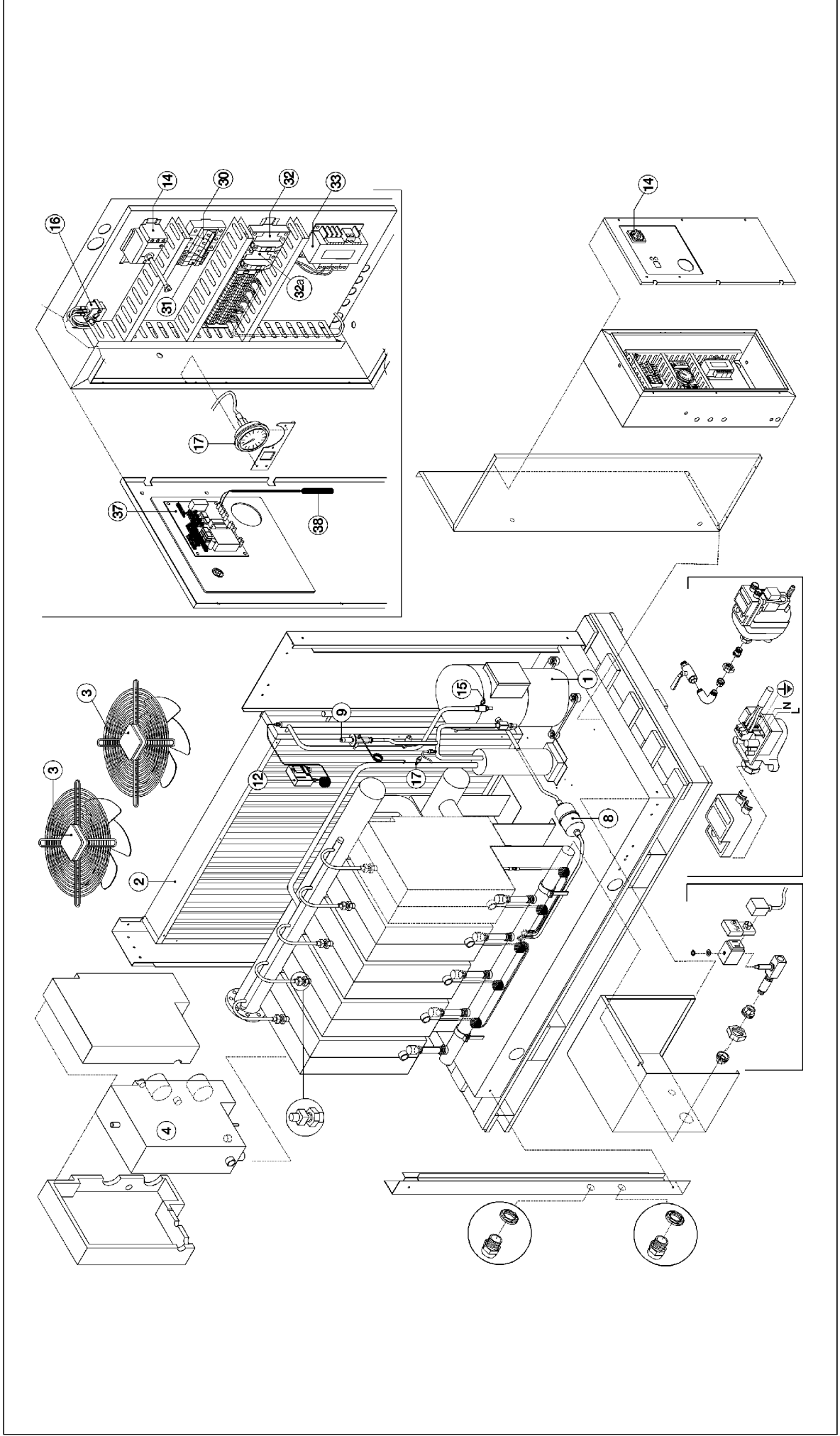
PGE110 -- 1100 (Ac/Wc) 50Hz

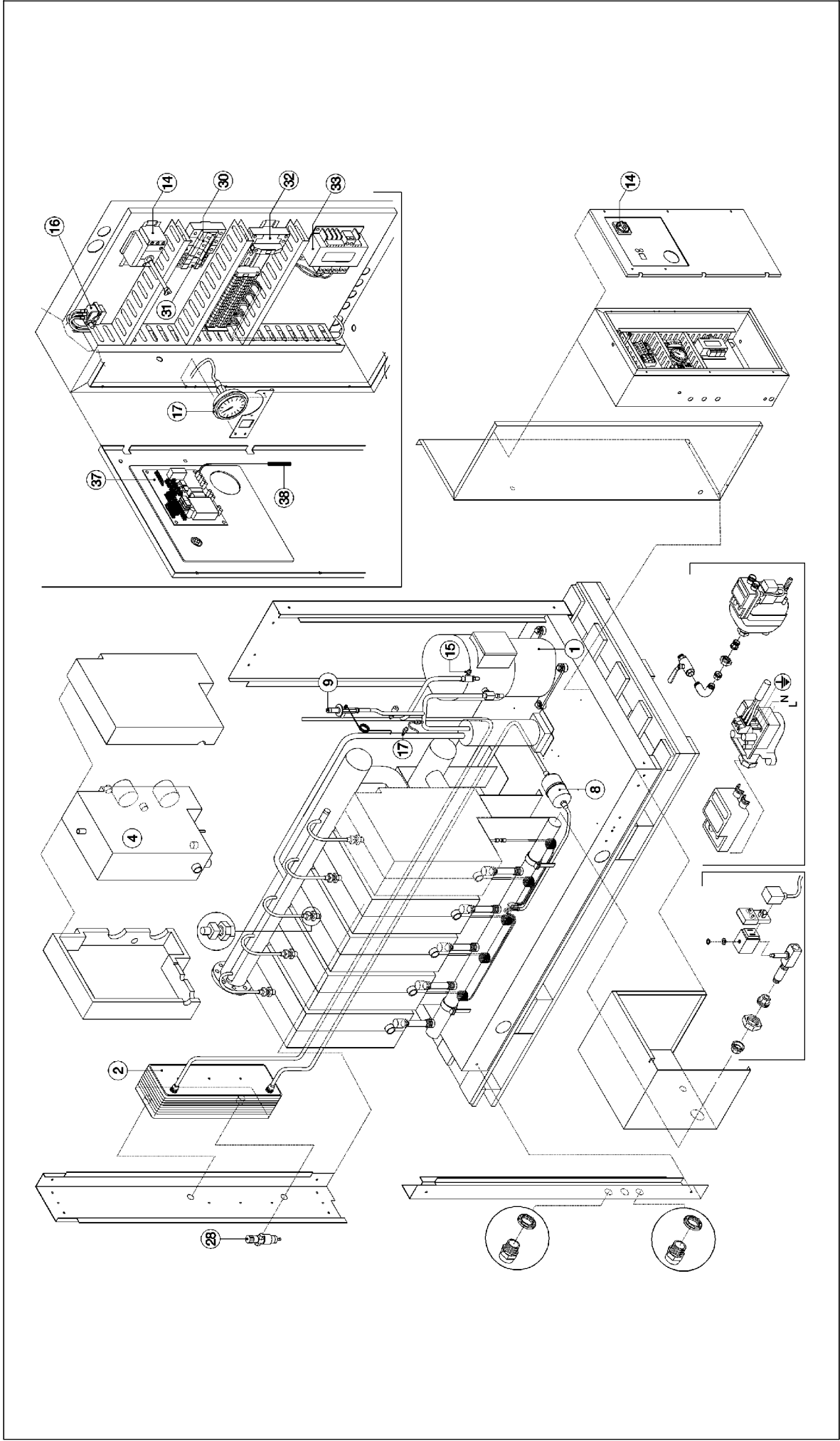
(Sheet 2 of 6)

	Pos.	PGE110	PGE140	PGE180	PGE220	PGE270	PGE370	PGE450	PGE600	PGE770	PGE900	PGE1100
Fan contactor	(32a)					-						256066
Auxiliary transformer	Ac		255884			255885		255886		255887		255888
	Wc		-					255888				
Control panel	(37)						275688					
Dew point temperature sensor (6m - CAREL)							275895					
Dew point temperature sensor (4m - SGE)	(38)						275266					
Condensate drains	Drain maintenance should be performed every 12 months. For further information please see the Condensate drains Section.											









PSH030 – 090 50HZ

(Sheet 1 of 2)

	Pos.	PSH030	PSH045	PSH065	PSH090
3 year preventive maintenance kits	(12) (15) (16) B1 C2		474104		
Compressor kits	(1) (8)	473122		473079	
Fan kits	(3) C2		473252		
Hot gas valve kits	(8) (9)	473136			
Refrigerant condenser	(2)	114736			
Evaporator – Air-air heat-exchanger / Separator	(4) (5)	512158			
Refrigerant filter	(8)			206219	
Fan pressure switch	(12)			473682	
High pressure switch	(15)			354053	
High temperature thermostat	(16)			354242	
Safety valve	(17)			378388	
Electronic controller				275763	
Dew point temperature sensor (3m)	B1			275894	
Main disconnect switch	QS			255211	
Y capacitor	C2			254282	
Cover	A			137434 *	
				137742 **	
Condensate drains					

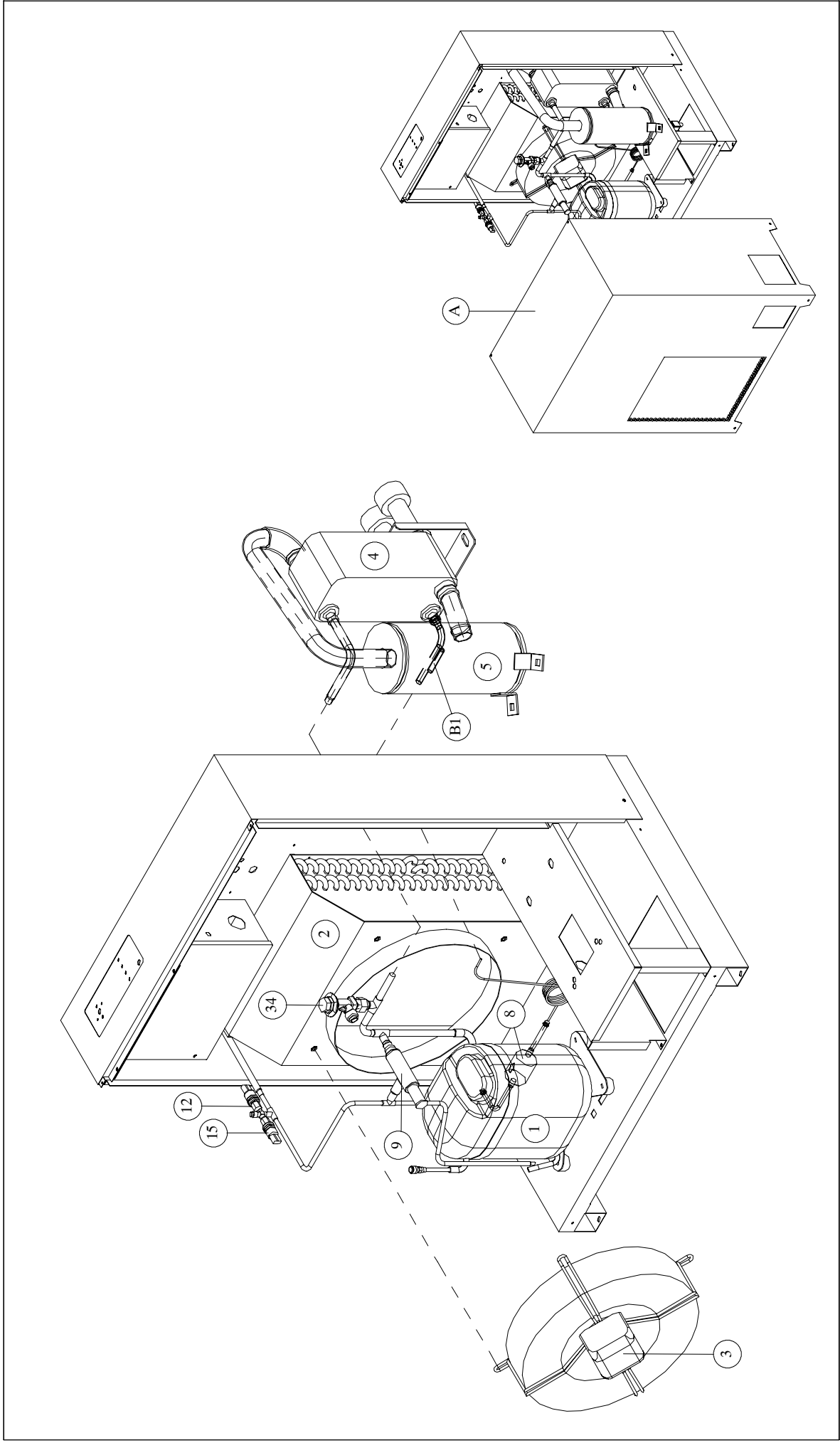
SEE UPDATED SECTION

Individual spare parts

Drain maintenance should be performed every 12 months. For further information please see the Condensate drains Section.

* Black

** Light grey



PSH120 – 630 (Ac) 50Hz

(Sheet 1 of 7)

	Pos.	PSH120	PSH160	PSH200	PSH230	PSH290	PSH380	PSH460	PSH630
3 year preventive maintenance kits	Ac	(12) (15) B1 B3 KM2			474106				
	Wc	(15) B1 B3		-			474127		
Kits	Ac/Wc	(1) (8) KM1	473006				473010		474105
	Ac	(3) KM2	473042				473010		
	Ac/Wc	(8) (9)	473138				473010		
	Wc	(2) (8)					473270		
	Ac	(2)	11476				114790		114820
	Ac/Wc	(4) (5)	50138					512159	
	Ac/Wc	(1)	206221					206223	
	Ac	(2)				473682			
	Ac	(15)				354052			
	Wc	(22)						378201	378202
Ac/Wc	(34)				378388				
Ac/Wc	AI				275765				
Ac/Wc	B1				275894				
Ac/Wc	B3				275731				
Individual spare parts	Ac/Wc								
	Ac/Wc								
	Ac/Wc								
	Ac/Wc								
	Ac/Wc								
	Ac/Wc								
	Ac/Wc								
	Ac/Wc								
	Ac/Wc								
	Ac/Wc								

SEE UPDATED SECTION

PSH120-630 (Ac) 50Hz

(Sheet 2 of 7)

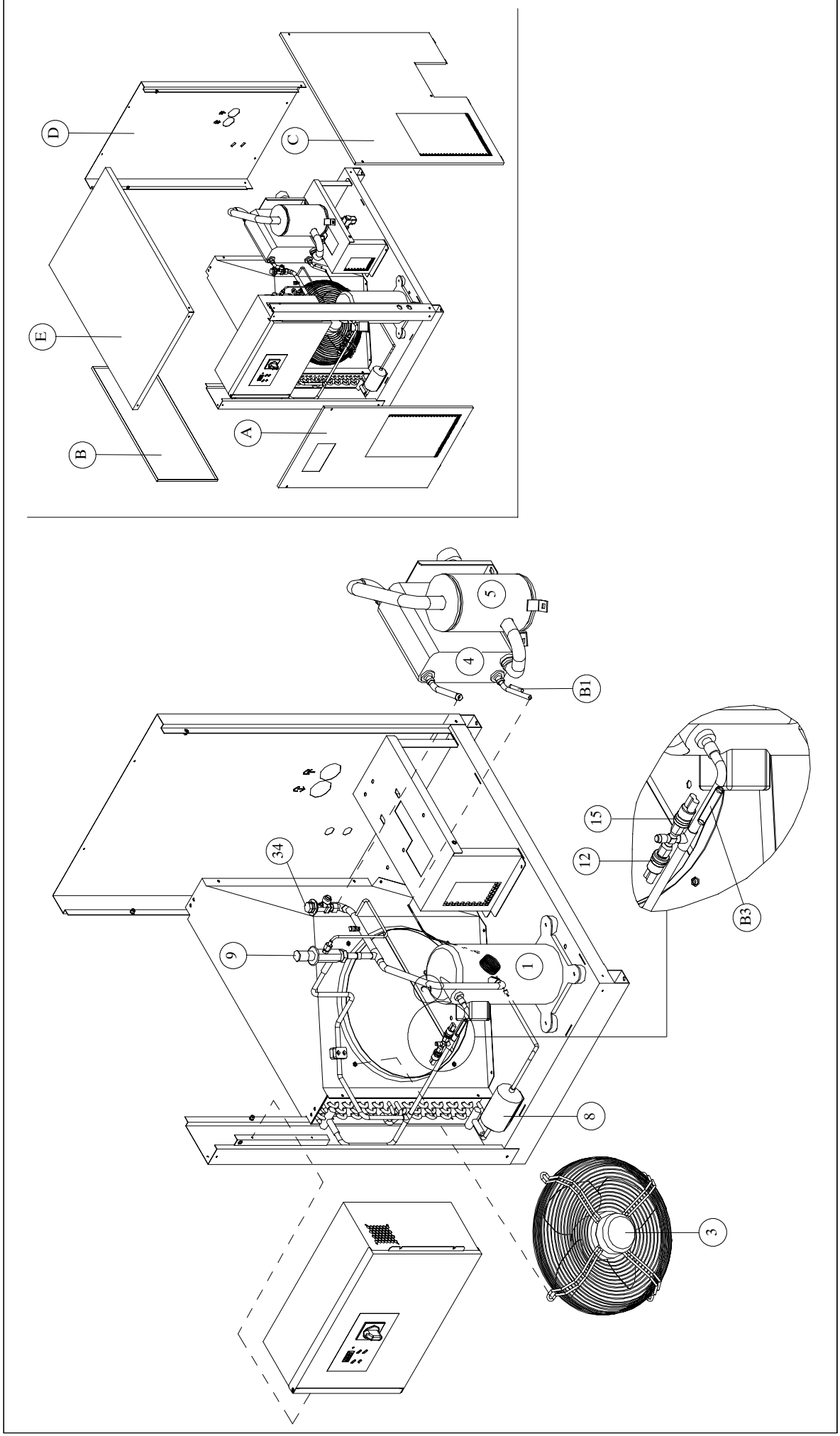
	Pos.	PSH120	PSH160	PSH200	PSH230	PSH290	PSH380	PSH460	PSH630
Crankcase heater	EHI			-				328247	328244
Main disconnect switch	QSI		256416				256418		256421
Automatic switch	QF1		256231				256235		256241
Fan automatic switch	QF2								256230
Auxiliary transformer	TC1				255904				
Fuses	FU1-2-3-4				4730				
Compressor contactor	FU11							254694	
Fan contactor	KM1		256266				256248		256325
High pressure alarm relay	KM2				256266				
	KAI1				256152				
			137477 *				137385 *		
			137735 **				137747 **		
	B		137480				137374 *	137394 *	137394 *
							137745 **	137746 **	137746 **
	C		137479 *				137374 *	137394 *	137394 *
			137736 **				137745 **	137746 **	137746 **
	D		139224				139229		
	E		137478				137375	137380	137380
	F		-				139280	139277	139277
	F		-				137810	137813	137813
	G		-				137810	137813	137813
Condensate drains									

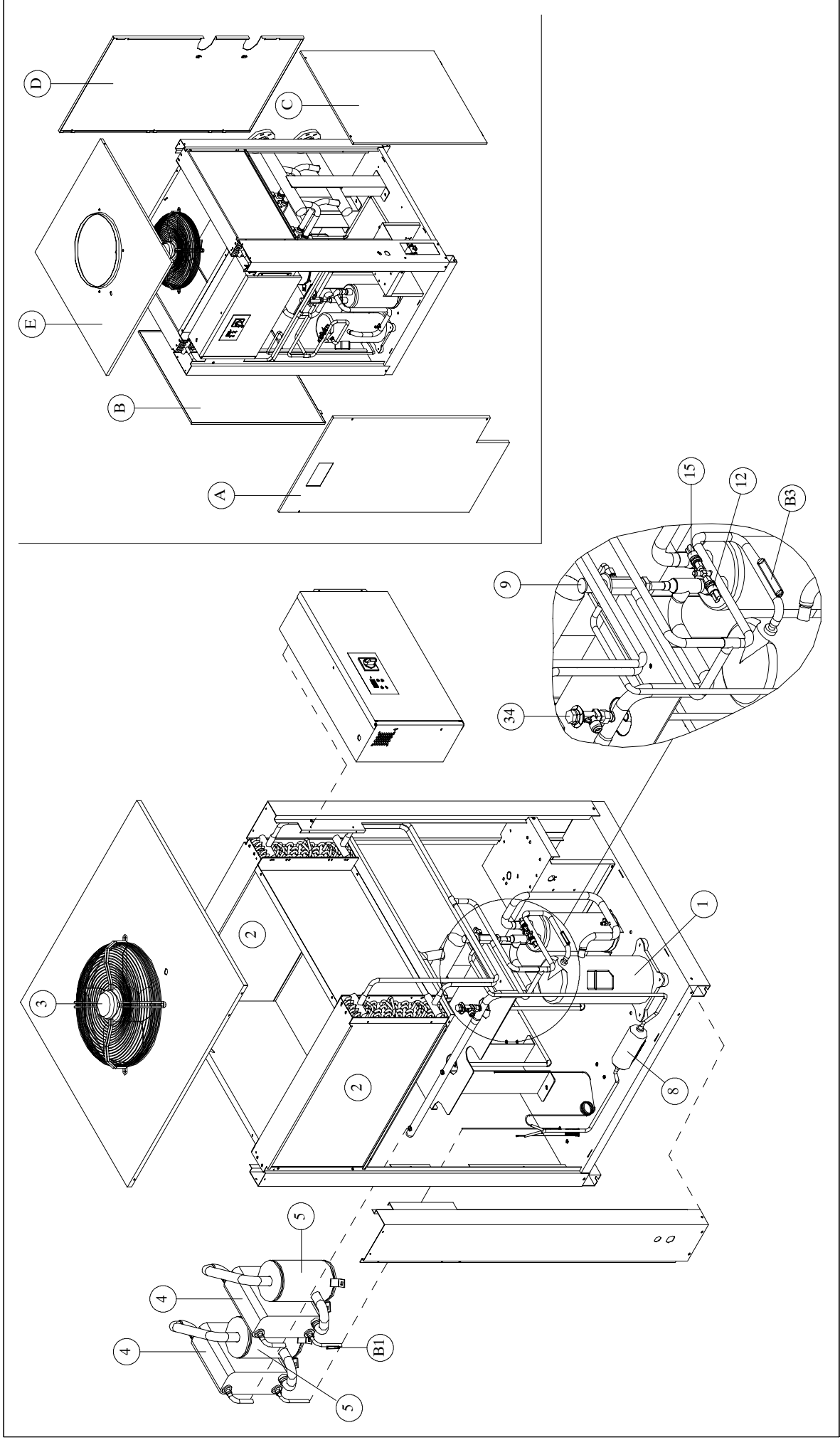
Individual spare parts

Drain maintenance should be performed every 12 months. For further information please see the Condensate drains Section.

* Black

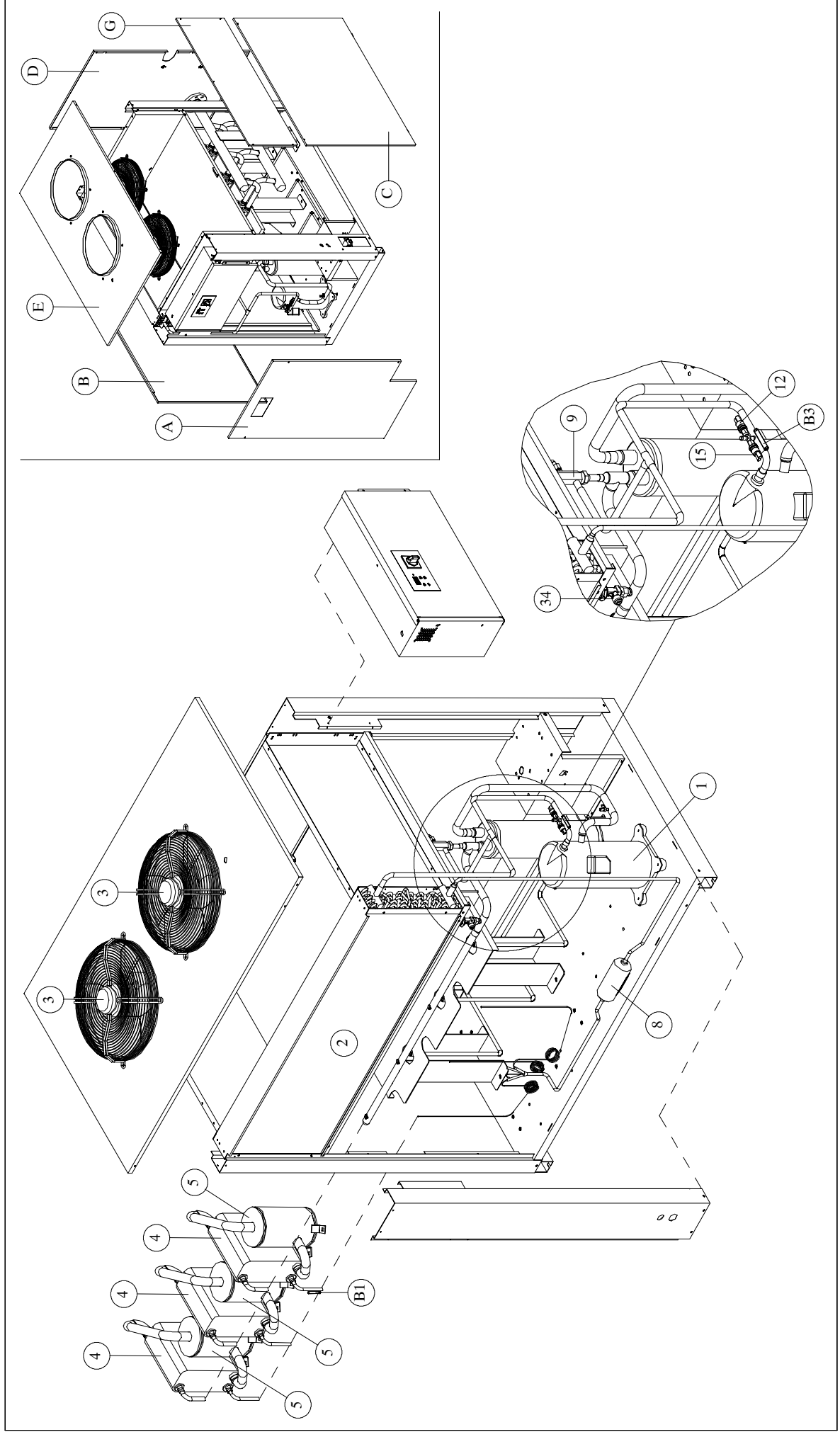
** Light grey

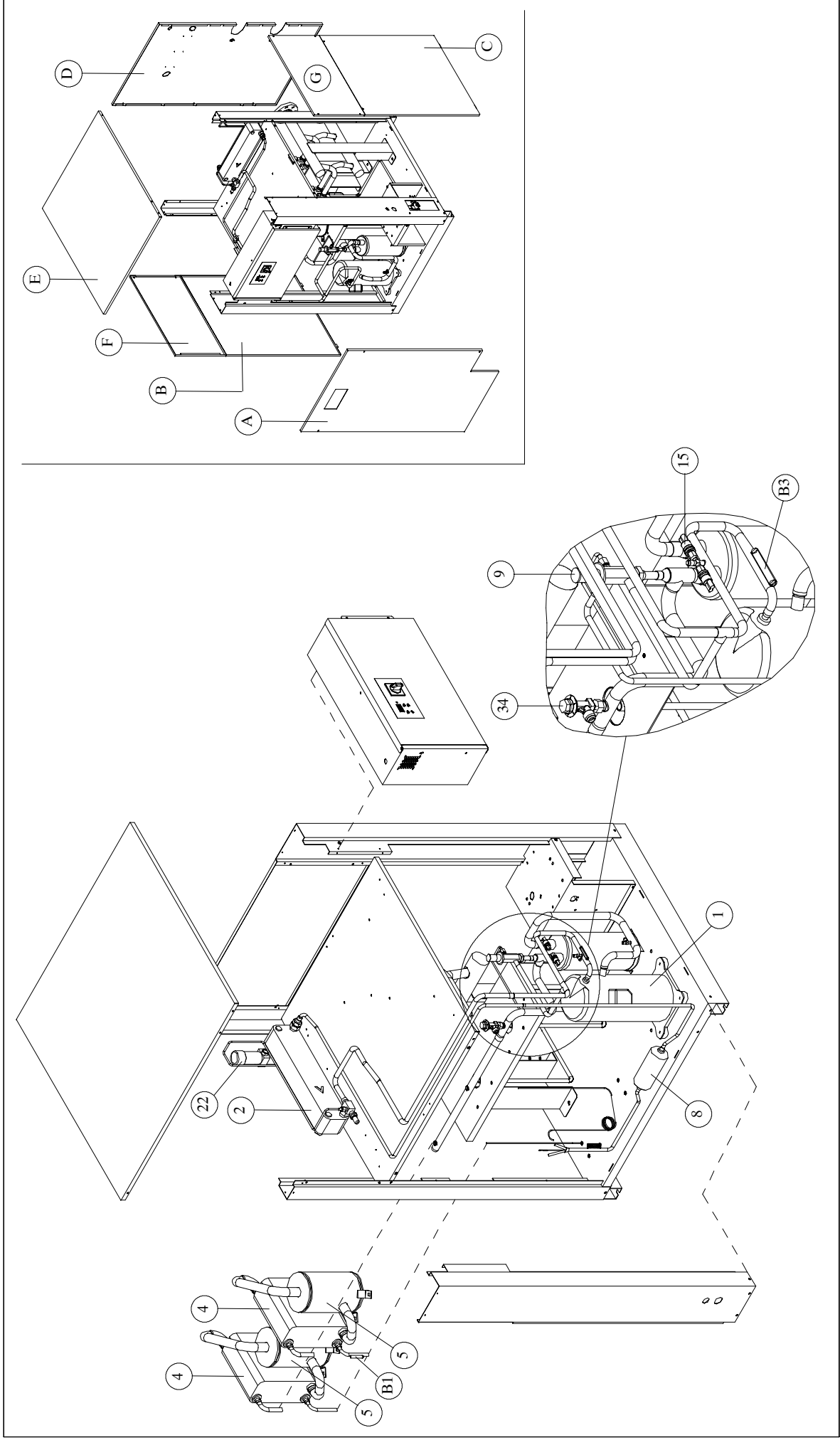




PSH630 (Ac) 50Hz

(Sheet 5 of 7)



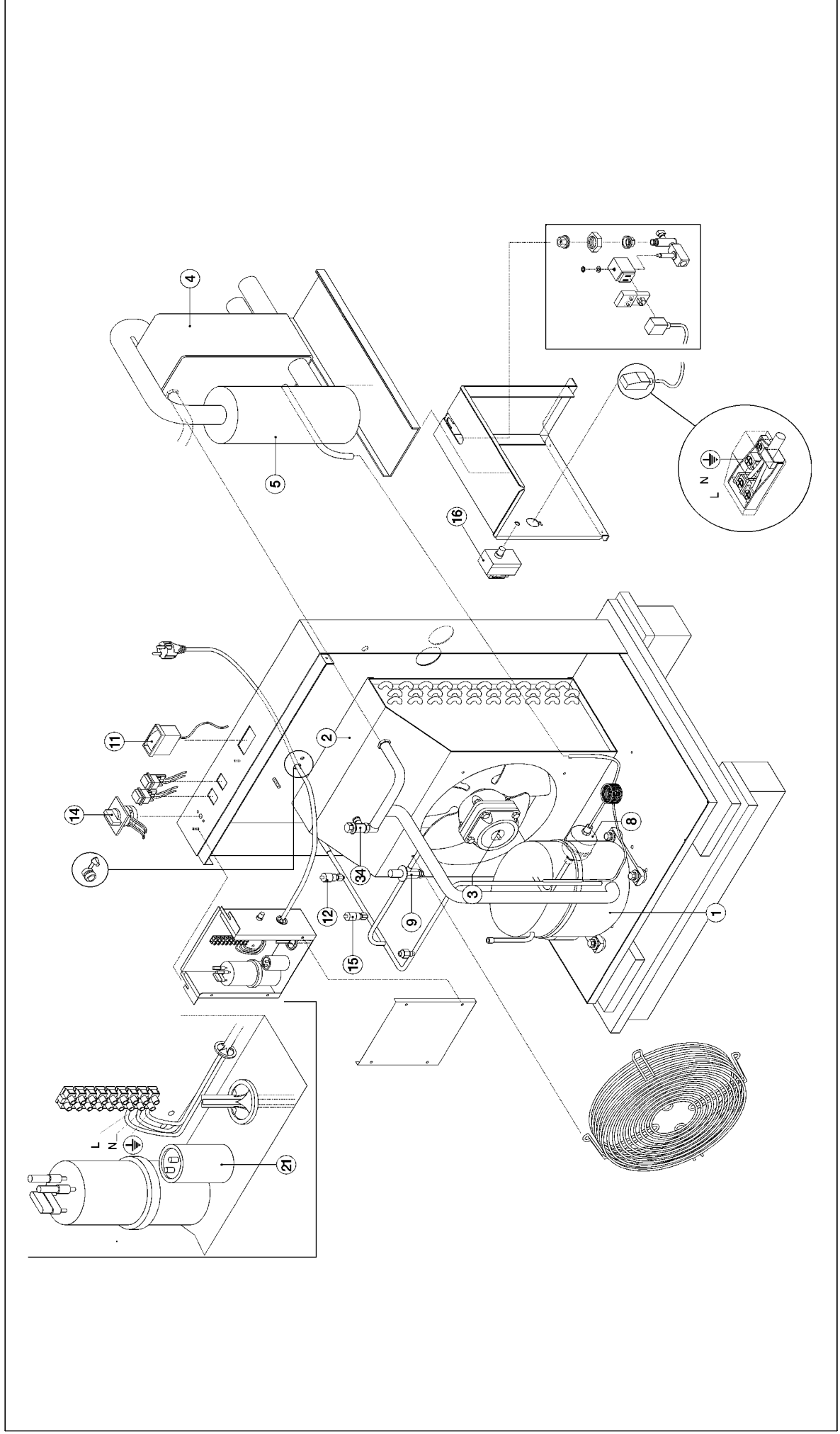


PHP030 – 090 50Hz

(Sheet 1 of 2)

	Pos.	PHP030	PHP045	PHP065	PHP090
3 year preventive maintenance kits	(11) (12) (15) (16) (21)		473120		
Compressor kits	(1) (8)	473122		473125	
Fan kits	(3) (21)		473984		
Hot gas valve kits	(8) (9)	473136		473137	
Refrigerant condenser	(2)	114736		114791	
Evaporator – Air-air heat-exchanger / Separator	(4) (5)	512010		512011	
Separator	(5)	339026		339027	
Refrigerant filter	(8)		206221		
Dewpoint indicator	(11)		354317		
Fan pressure switch	(12)		354055		
Main disconnect switch	(14)		255041		
High pressure switch	(15)		354053		
High temperature thermostat	(16)		354242		
Fan capacitor	(21)		254282		
Safety valve	(34)		378388		
Condensate drains	Drain maintenance should be performed every 12 months. For further information please see the Condensate drains Section.				

Individual spare parts



PHP120 – 630 (Ac/Wc) 50Hz

(Sheet 1 of 5)

	Pos.	PHP120	PHP160	PHP200	PHP250	PHP290	PHP380	PHP460	PHP630
3 year preventive maintenance kits	Ac	(12) (15) (16) (31)			473121				
	Wc	(15) (16)	-		473150				
Compressor kits	Ac/Wc	(1) (8) (32)	473127	473128	473129	473131	473132	473145	
Fan kits	Ac	(3) (31)	473143		473144	473145			
Hot gas valve kits	Ac/Wc	(8) (9)	473138		473139				
Water condenser kits	Wc	(2) (8)	-		473152	473153			
Refrigerant condenser	Ac	(2)	114728	114729	114730	114731	114732		
Evaporator – Air -air heat-exchanger / Separator	Ac/Wc	(4) (5)	512012	512013	512012	512013			
Separator	Ac/Wc	(5)	339027	339028	339027	339028			
Refrigerant filter	Ac/Wc	(8)	206221		206223				
Fan pressure switch	Ac	(12)	354055						
Main disconnect switch	Ac/Wc	(14)	256416		256418				
High pressure switch	Ac	(15)	354052						
	Wc		354053						
High temperature thermostat	Ac/Wc	(16)	354242						
Low pressure manometer	Ac/Wc	(17)	354000						
Water pressostatic valve	Wc	(28)	-		378202	378203			

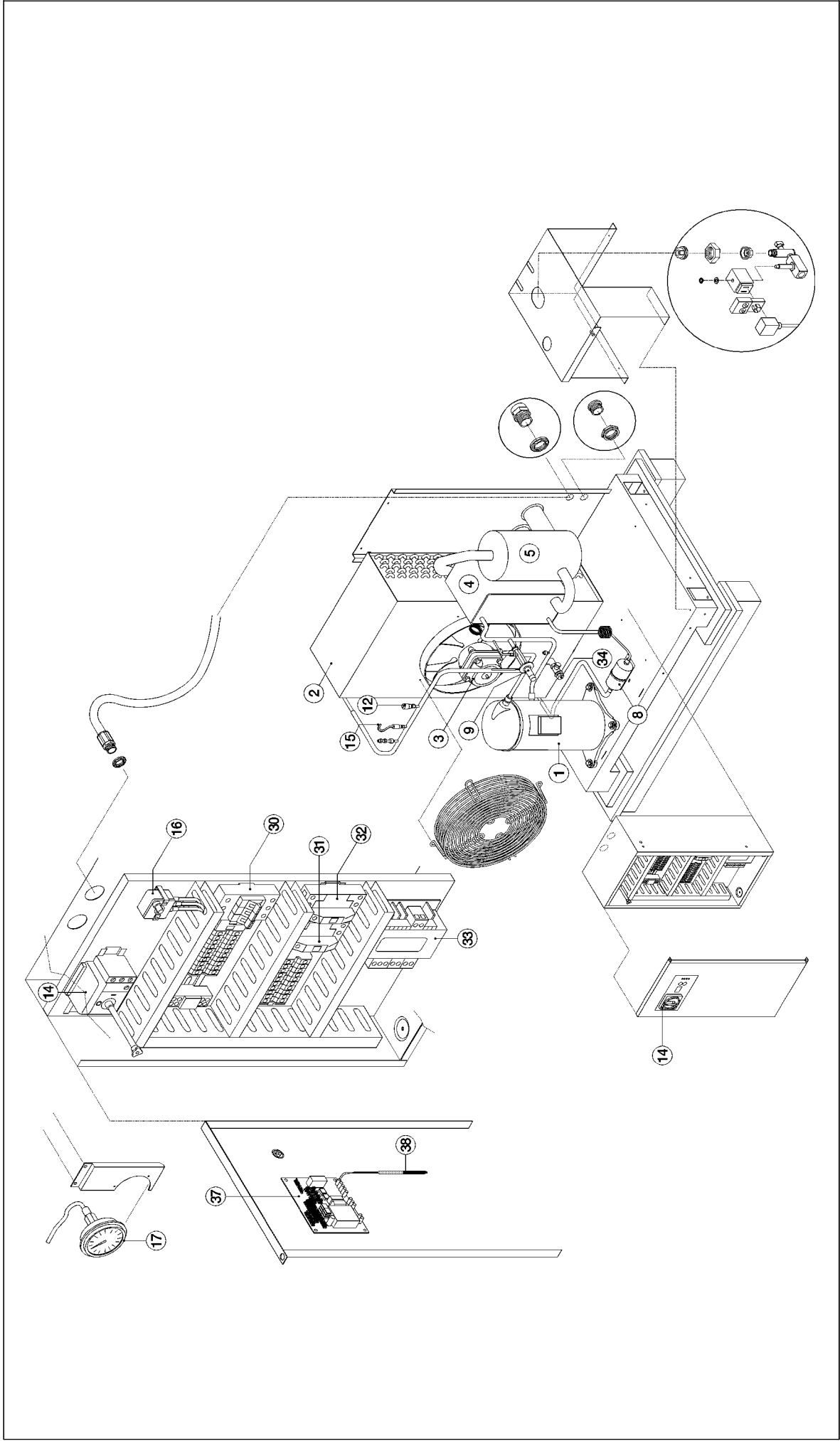
Individual spare parts

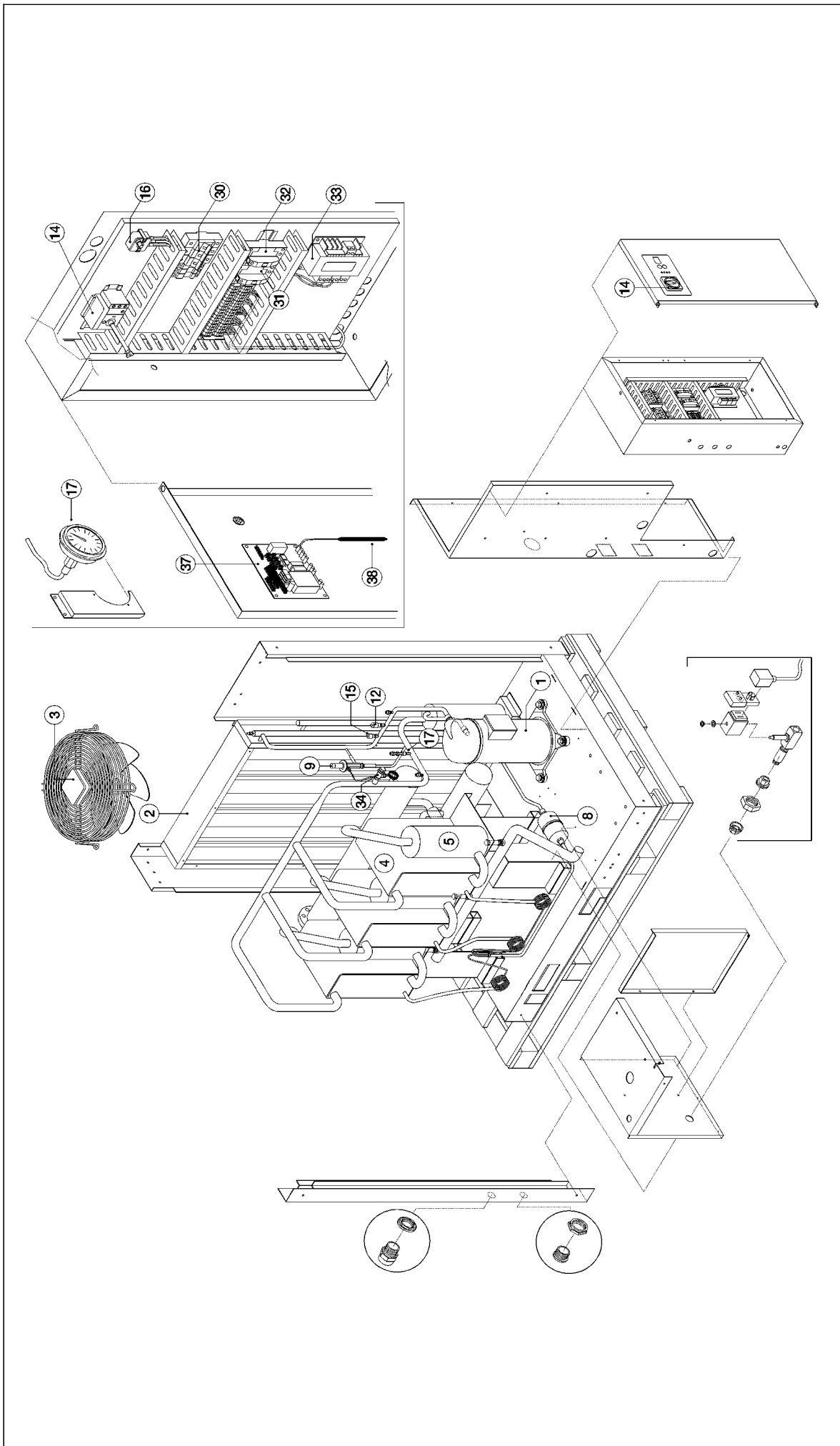
PHP120 – 630 (Ac/Wc) 50Hz

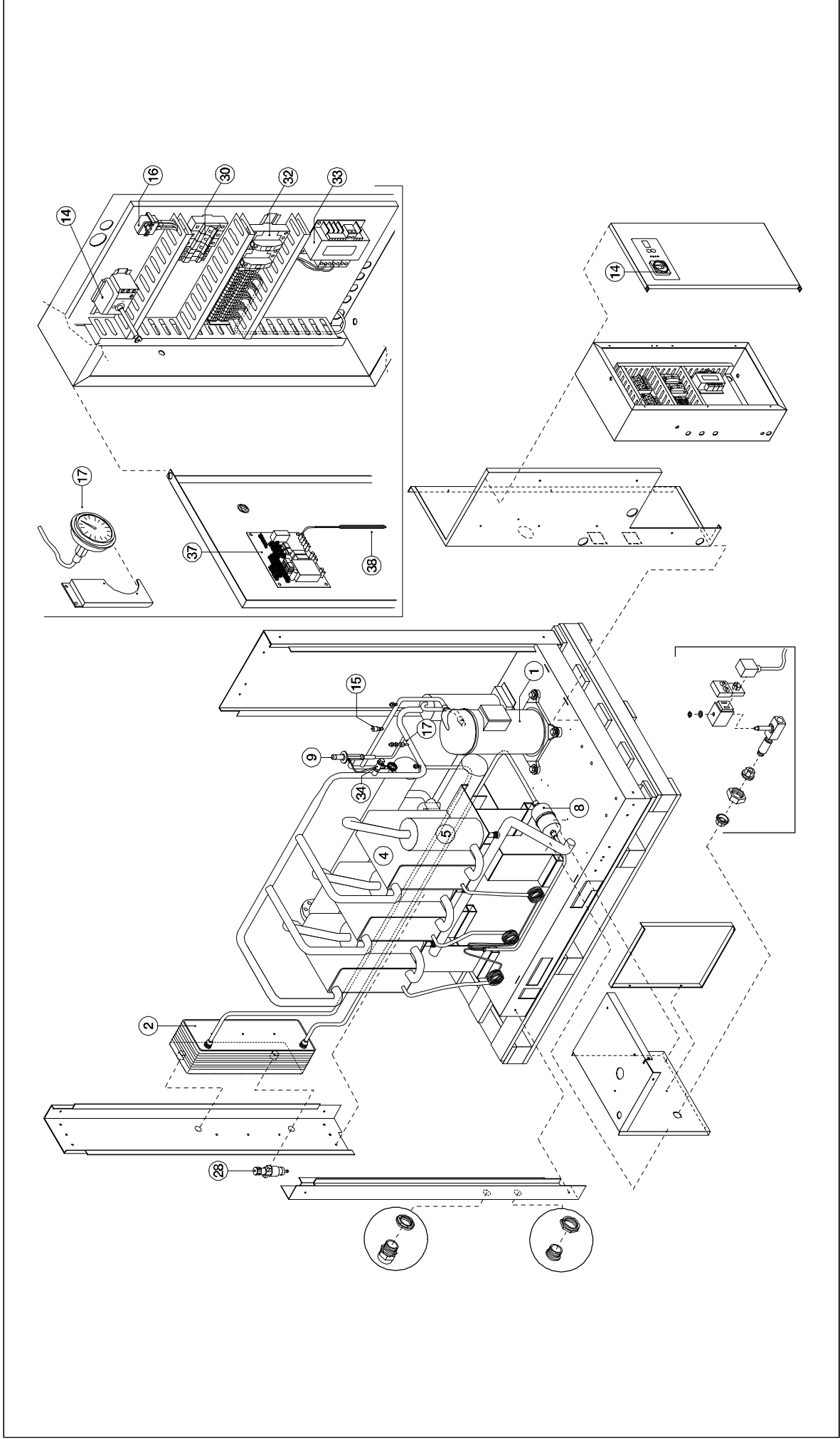
(Sheet 2 of 5)

	Pos.	PHP120	PHP160	PHP200	PHP250	PHP290	PHP380	PHP460	PHP630
Automatic switch Ac/Wc	(30)		256167				256195		
Fan contactor Ac	(31)				256066				
Compressor contactor Ac/Wc	(32)		256066				256071		
Auxiliary transformer Ac/Wc	(33)				256261				
Safety valve Ac/Wc	(34)				378388				
Control panel Ac/Wc	(37)				275688				
Dew point temperature sensor (3m – CAREL) Ac/Wc	(38)				275894				
Dew point temperature sensor (4m – SGE)					275266				
Condensate drains	Drain maintenance should be performed every 12 months. For further information please see the Condensate drains Section.								

Individual spare parts





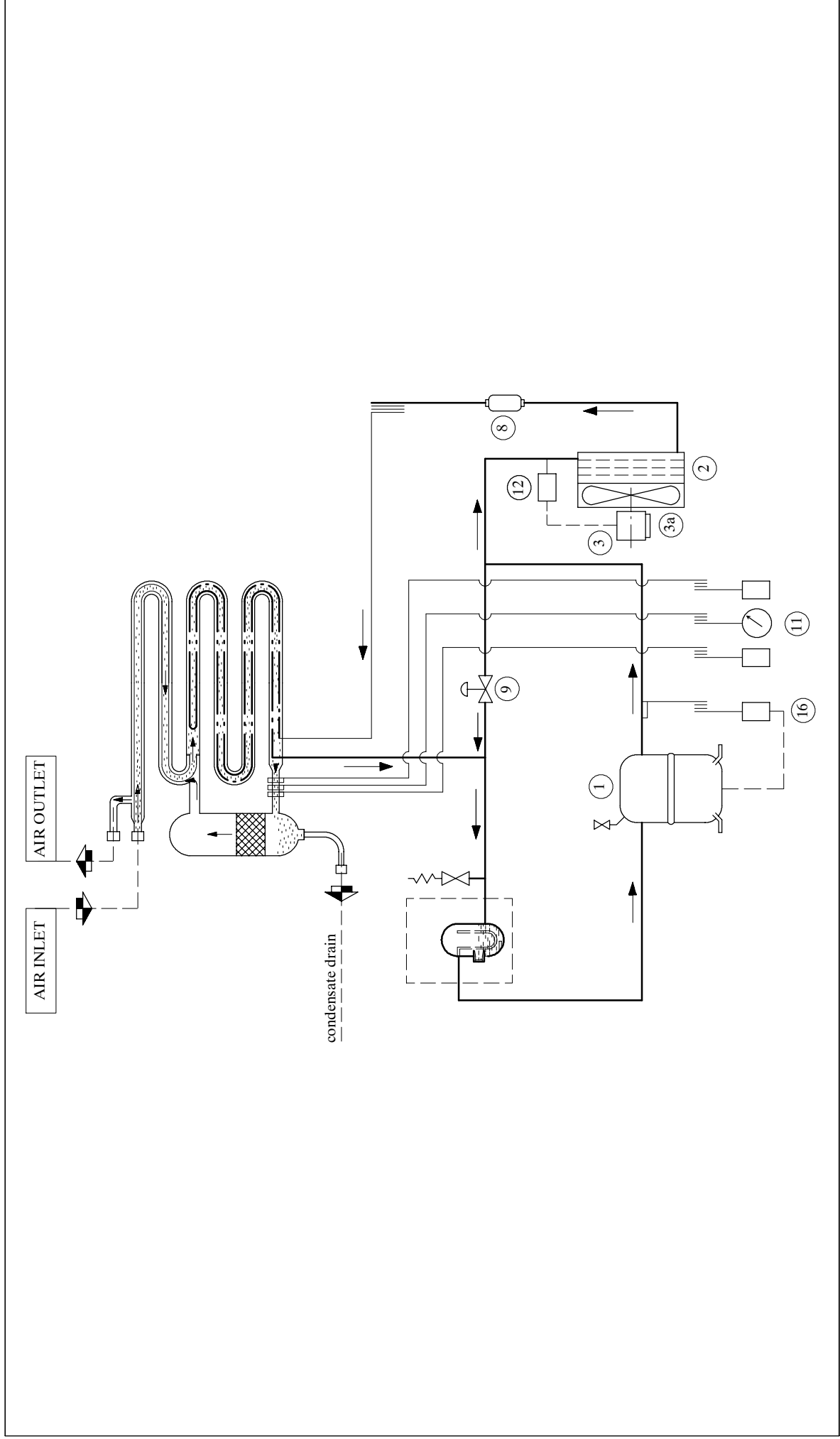


NGB004--071/NXB012--071 50Hz

(Sheet 1 of 2)

	Pos.	NGB 004	NGB 006	NGB/NXB 012	NGB/NXB 018	NGB/NXB 022	NGB/NXB 030	NGB/NXB 045	NGB/NXB 060	NGB/NXB 071
Compressor	①	147750	147093	147094	147095	147097	147097	147097	147150	
		--		147132	147362	147113	147364	147113		
Refrigerant condenser	②	114327		114308		114309	114315	114315	114317	114318
Fan motor	③	381664		381731					381674	
Fan blade	③a	384016		--						
Refrigerant filter	⑧			206206				206219	206226	
Hot gas valve	⑨			378710					378608	378607
		--			378710				378613	378608
Dewpoint indicator	⑪			354317				354316		
Fan pressure switch	⑫			473518						354119
		--			473519					354120
High temperature thermostat	⑯			--					354206	
Main disconnect switch	QS			255104					255041	

Individual spare parts

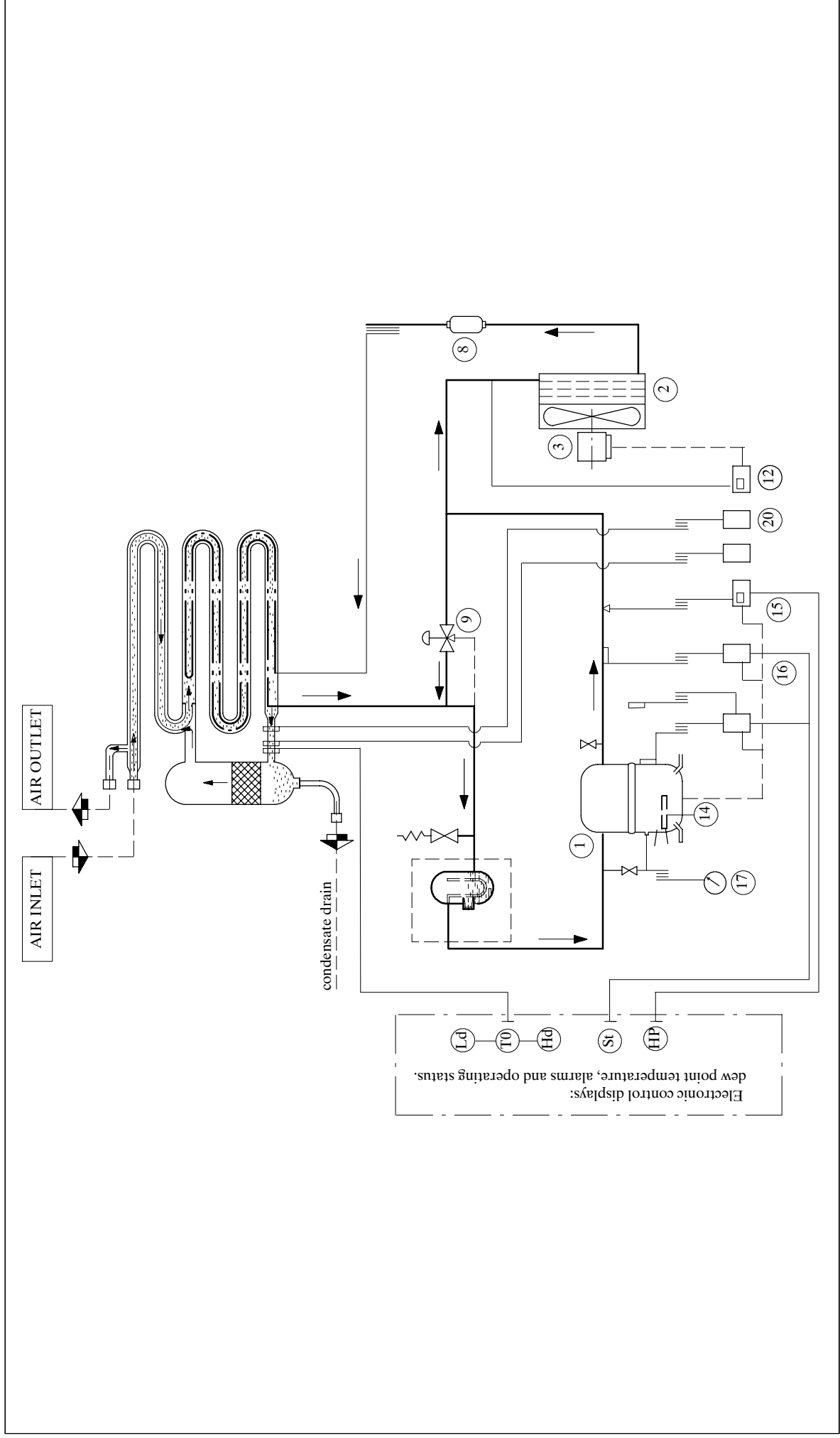


NGC/NXC080--150 50Hz

(Sheet 1 of 2)

	Pos.	NGC/NXC080	NGC/NXC110	NGC/NXC150
Compressor	①	R134a	147603	147600
		R22	147036	147037
Refrigerant condenser	②	114319	114328	
Fan motor	③		381673	
Refrigerant filter	⑧	R134a	206243	
		R22	206226	
Hot gas valve	⑨		378607	
Fan pressure switch	⑫	R134a	354119	
		R22	354120	
Crankcase heater	⑭		328205	
High pressure switch	⑮		354179	
High temperature thermostat	⑯		354206	
Low pressure manometer	⑰	R134a	354003	
		R22	354000	
Dew point thermostat	⑳		354225	
Auxiliary transformer	TC/TC1		255833	
Electronic control + sensor	-		on request	
Dew point temperature sensor (4m)	-		275266	

Individual spare parts



NGH/NXH080 – 300 50Hz

(Sheet 1 of 4)

		Pos.	NGH/NXH080	NGH/NXH110	NGH/NXH150	NGH/NXH220	NGH/NXH300
Compressor	R134a	①	147601	147603	147600	147702	147607
	R22		147034	147036	147037	147051	on request
Refrigerant condenser		②	114319		114328		
Fan motor		③			381673		
Electrovalve kit		⑥			473384		
Refrigerant filter	R134a	⑧	-	206243	206243	206225	206225
	R22		206226		206225		
Hot gas valve		⑨			378607		
Fan pressure switch	R134a	⑫		354119			-
	R22				354120		
Crankcase heater		⑭			338205		
High pressure switch		⑮		354179			354121
High temperature thermostat		⑯			354206		
Low pressure manometer	R134a	⑰		354003			-
	R22				354000		
Dew point thermostat		⑳			354225		
Transducer PA21M 0..10bar/4 – 20mA		㉑			275304		
Transducer PA21M 0...30bar/4 – 20mA		㉒			275306		
Low pressure switch		㉔		-			354115

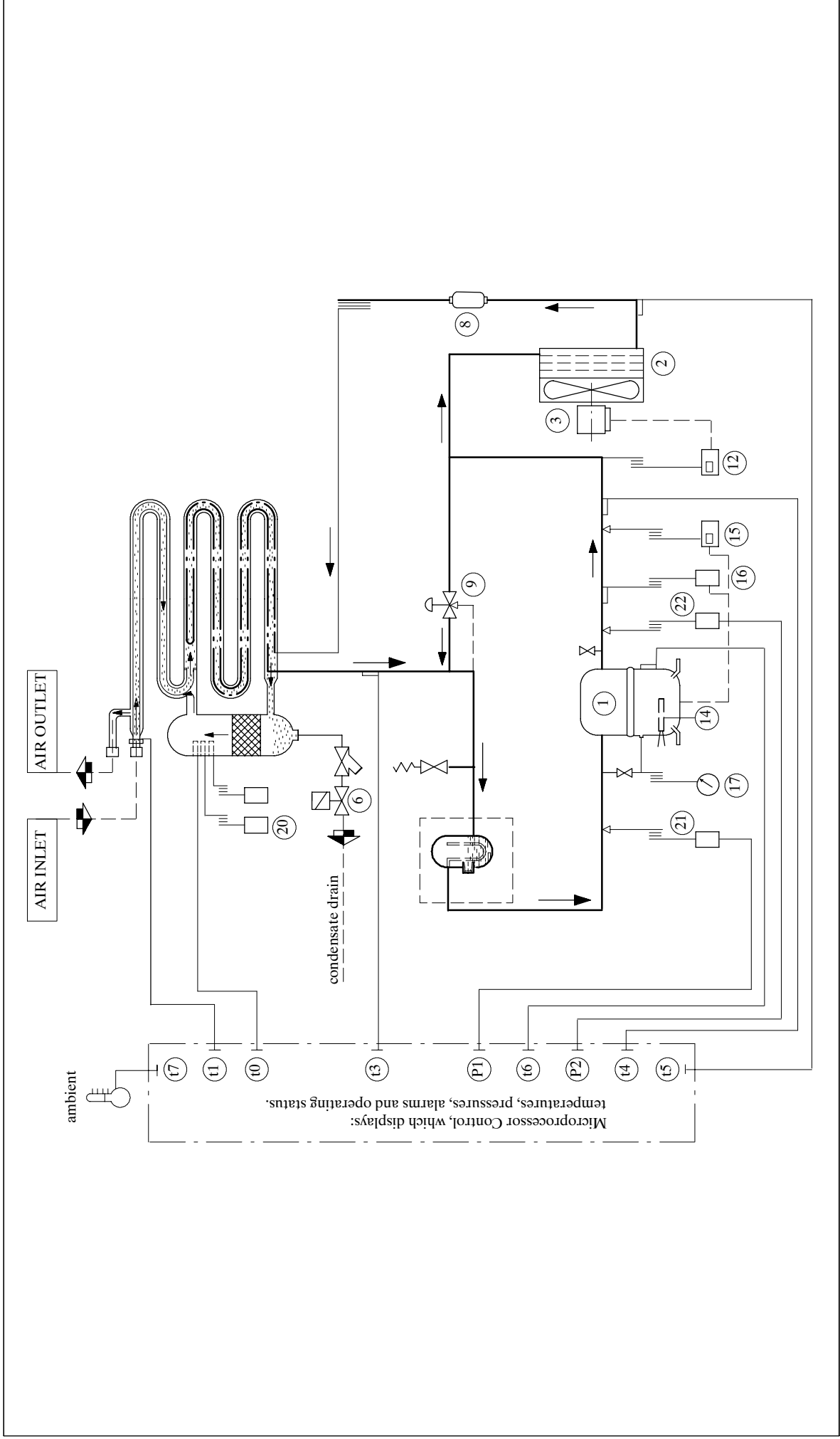
Individual spare parts

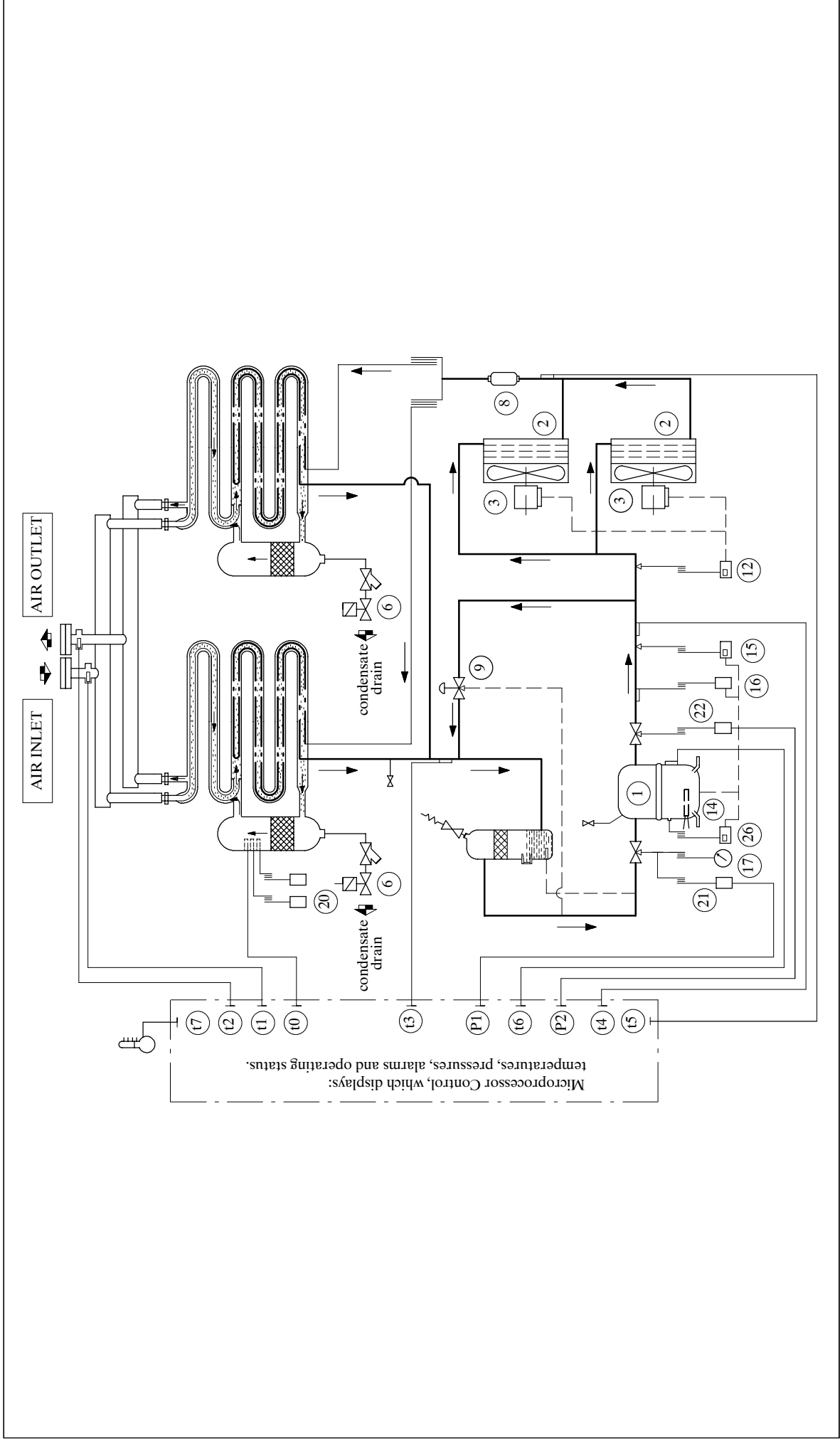
NGH/NXH080 --300 50Hz

(Sheet 2 of 4)

	Pos.	NGH/NXH080	NGH/NXH110	NGH/NXH150	NGH/NXH220	NGH/NXH300
Temperature sensor (3.5m)	t0 - t7			275213		
Auxiliary transformer	TC/TC1		255833		255834	
Hiromatic replacement kit	-			on request		
Hiromatic Interface board	-			275142		
Eprom Hiromatic	-			275440		

Individual spare parts





MDH/MGH20--90 (Ac/Wc) 50Hz

(Sheet 1 of 4)

		MDH/MGH20	MDH/MGH25	MDH/MGH33	MDH/MGH45	MDH/MGH58	MDH/MGH65	MDH/MGH90
Compressor	R22 Ac/Wc	114322	114190	114192	114194	186103	186104	114196
	R407C Ac/Wc							
Refrigerant condenser	Ac	186101	186102	186103	186104	186105	186106	186106
	Wc							
Fan motor	Ac	381673			381710			
Electrovalve kit	Ac/Wc				473384			
Refrigerant filter	Ac/Wc	206243			206244			
Hot gas valve	R22 Ac/Wc	378607	378607	378610	378610	378610	378610	378601
	R407C Ac/Wc							
Fan pressure switch	Ac				354120			
Crankcase heater	Ac/Wc				338205			
High pressure switch	Ac/Wc				354121			
High temperature thermostat	Ac/Wc				354206			
Low pressure manometer	Ac/Wc				354000			
Dew point thermostat	Ac/Wc				354225			
Transducer PA21M 0..10bar/4-20mA	Ac/Wc				275304			
Transducer PA21M 0..30bar/4-20mA	Ac/Wc				275306			
Low pressure switch	Ac/Wc				354115			

Individual spare parts

on request

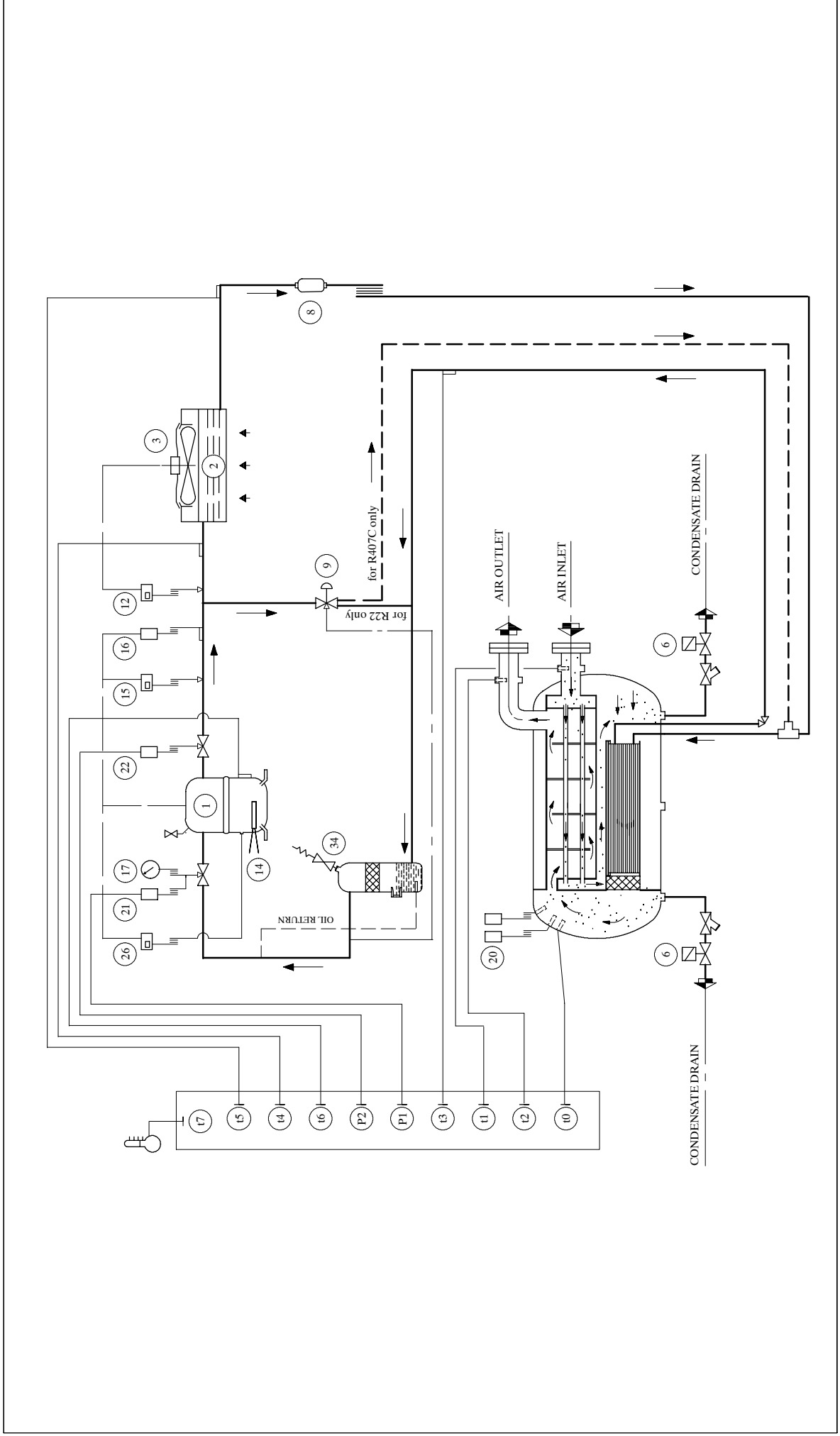
on request

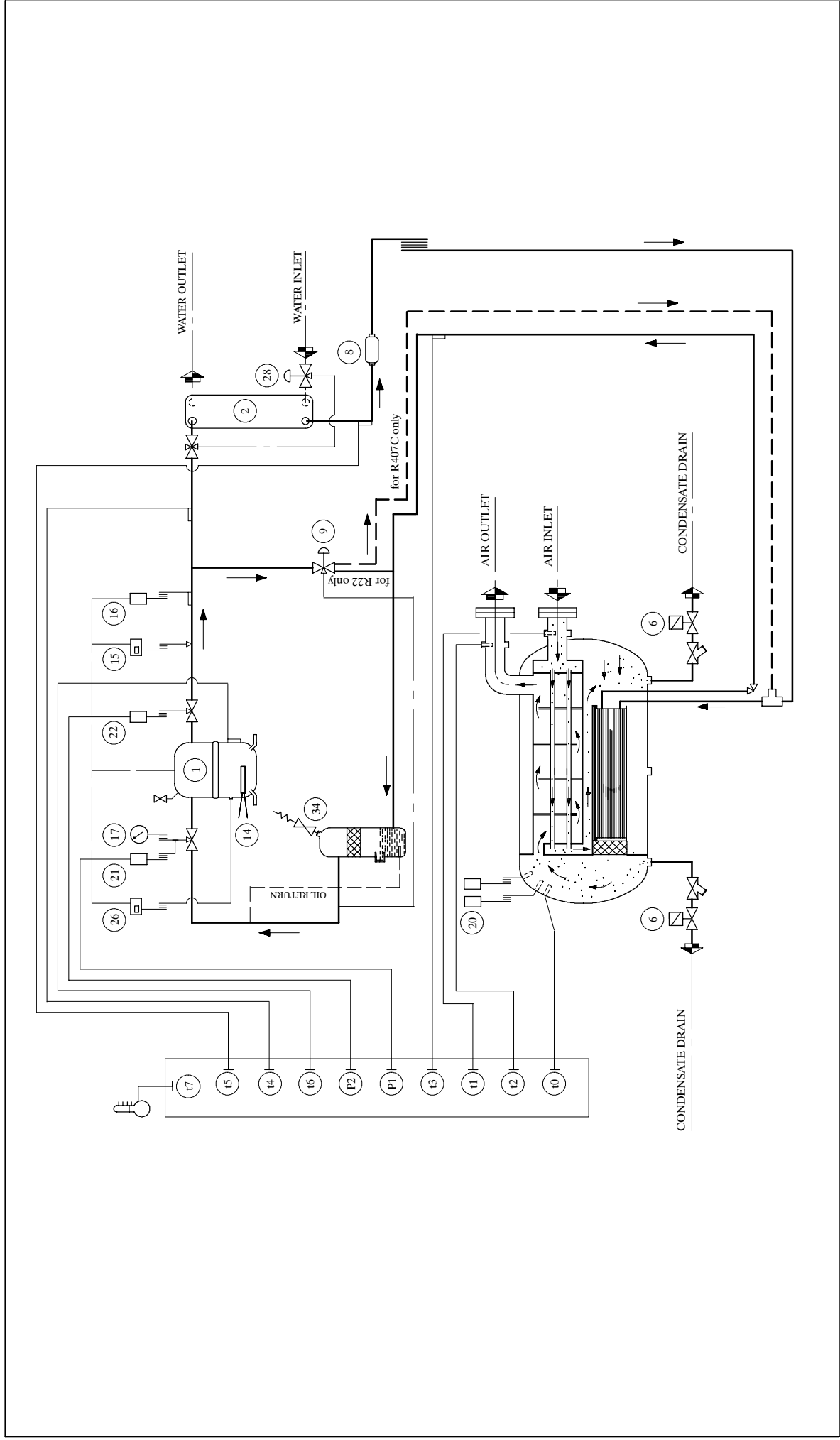
MDH/MGH20--90 (Ac/Wc) 50Hz

(Sheet 2 of 4)

	Pos.	MDH/MGH20	MDH/MGH25	MDH/MGH33	MDH/MGH45	MDH/MGH58	MDH/MGH65	MDH/MGH90
Water pressostatic valve	(28)		378202		378203		378205	
Bellow for water pressostatic valve	--		271360				271362	
Capillary for pressure switch and manometer	--				271070			
Relief valve (23.3 barg)	(34)				378378			
Temperature sensor (3.5m)	10 - 17				275213			
Temperature sensor (10m)	10 - 17				275155			
Main disconnect switch	QS	255014				256403		
Automatic switch	QF1	255062		255053			255050	
Hiromatic replacement kit	--				on request			
Hiromatic Interface board	--				275142			
Eprom Hiromatic	--				275440			

Individual spare parts





QSR130--350 (Ac/Wc) 50Hz

(Sheet 1 of 8)

		Pos.	QSR130 (Ac/Wc)	QSR170 (Ac/Wc)	QSR225 (Ac/Wc)	QSR280 (Wc)	QSR350 (Wc)
Compressor	Ac/Wc	①			on request		
Refrigerant condenser	Ac	②	on request				
	Wc		186179	186180	186181	186182	186183
Fan motor	Ac	③	on request				
Evaporator / air-air heat exchanger	Ac/Wc	④ ⑩	on request				
Condensate drain solenoid valve (without coil)	Ac/Wc	⑥	183165				
Refrigerant filter	Ac/Wc	⑧	206270			206276	
Refrigerant filter cartridge	Ac/Wc		206050				
Hot gas valve	Ac/Wc	⑨	378610	378602 378709	378709	378645	
Pilot valve for hot gas valve	Ac/Wc		-			378636	
Oil differential pressure switch	Wc	⑪	-			275947	
Fan pressure switch	Ac	⑫	354156				
Liquid separator	Ac/Wc	⑬	339095			339096	
Crankcase heater	Wc	⑭	-			328270	
High pressure switch	Ac/Wc	⑮ ⑮a			354121 354179		
					354206		
High temperature thermostat	Ac/Wc	⑯			354047		
Low pressure manometer	Ac/Wc	⑰					
Refrigerant solenoid valve	Ac/Wc	⑲	183135			183138	
			-			254064	
Coil	Ac/Wc						

Individual spare parts

QSR130 – 350 (Ac/Wc) 50Hz

(Sheet 2 of 8)

	Pos.	QSR130 (Ac/Wc)	QSR170 (Ac/Wc)	QSR225 (Ac/Wc)	QSR280 (Wc)	QSR350 (Wc)
Pre – filter	20	–			on request	
Transducer PA21M 0..10bar/4 – 20mA	21		275304			
Transducer PA21M 0..30bar/4 – 20mA	22		275306			
Refrigerant sight glass	24		348022		348023	
Inlet evaporator valve	25		334039			
Low pressure switch	26		354188			
Condensate drain filter	27		206407			
Water pressostatic valve	28	378203	378205		378210	
Outlet condenser valve	29		334117		–	
		334036	334044	334040	334042	
Inlet condenser valve	29a		334115		–	
Refrigerant charge valve	30		378746			
Ball shut – off valve (condenser)	39		334330			
Condenser safety valve	40		378380			
Thermostatic valve	41	–	378413	378435	378413	378435
No return valve	44		–		378276	
Compressor unloading pressure switch	58		354115			
Seal	–			240550		

Individual spare parts

QSR130--350 with Control pCO1M 50Hz

(Sheet.3 of 8)

	Pos.	QSR130 (Ac/Wc)	QSR170 (Ac/Wc)	QSR225 (Ac/Wc)	QSR280 (Wc)	QSR350 (Wc)
Main disconnect switch	QS		256424			256414
Automatic switch	QF1-2		256215			-
Transformer automatic switch	QF3			256141		
Fan automatic switch	QF6		256149			-
Auxiliary transformer 24V / 230V	TC1			256264		
Compressor contactor	KM1-2	Ac/Wc	256068			-
	KM1	Wc	-			256070
Fan contactor	KM5-6-7	Ac	256066			-
Temperature sensor (6m)	B0-B7	Ac/Wc		275224		
Electronic controller	A1	Ac/Wc		275697		
Local Display	A2	Ac/Wc		275754		
Refrigerant temperature sensor in discharge	-	Ac/Wc		275559		
6-way telephone cable (1.5m)	-	Ac/Wc		275277		
RS485 Serial card (opt.)	-	Ac/Wc		275689		

Individual spare parts

QSR130 – 350 with Control pCO 50Hz

(Sheet 4 of 8)

	Pos.	QSR130 (Ac/Wc)	QSR170 (Ac/Wc)	QSR225 (Ac/Wc)	QSR280 (Wc)	QSR350 (Wc)
Main disconnect switch	QS		256424			256414
Automatic switch	QF1-2		256215			-
Transformer automatic switch	QF3			256141		
Fan automatic switch	QF6		256149			-
Auxiliary transformer 24V / 230V	TC1			256264		
Compressor contactor	KM1-2		256068			-
	KM1		-			256070
Fan contactor	KM5-6-7		256066			-
Temperature sensor (6m)	t0-17			275224		
Control board	A1			275671		
Differential thermostat	A2			354263		
Front panel	-			275672		
Addressing card	-			275673		
EPROM (English)	-			275694		
EPROM (Italian)	-			275695		
EPROM (German)	-			275696		
EPROM (French)	-			275723		
EPROM (Spanish)	-			275724		
6 – way telephone cable (1.5m)	-			275277		
RS485 Serial card (opt.)	-			275679		

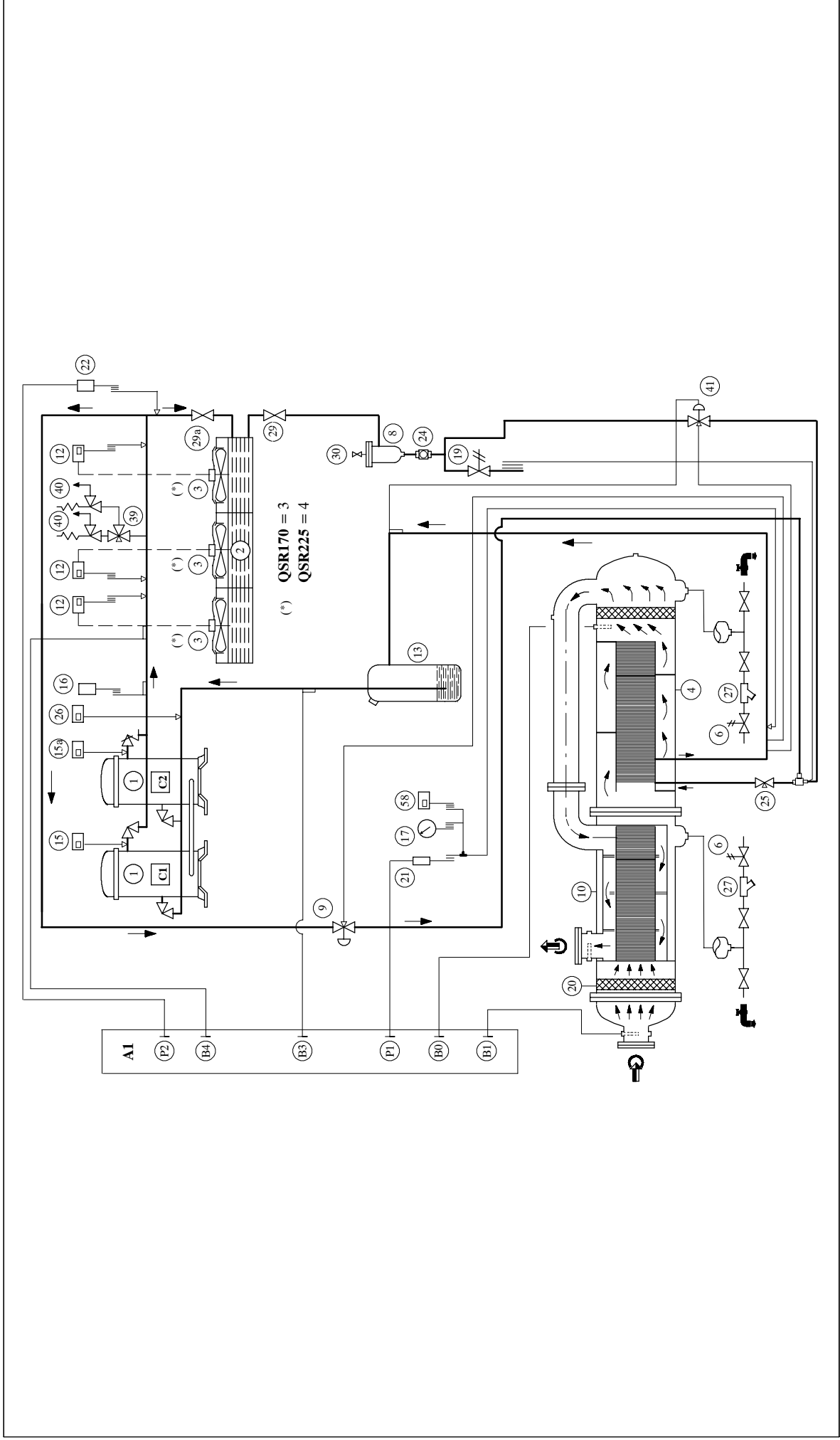
Individual spare parts

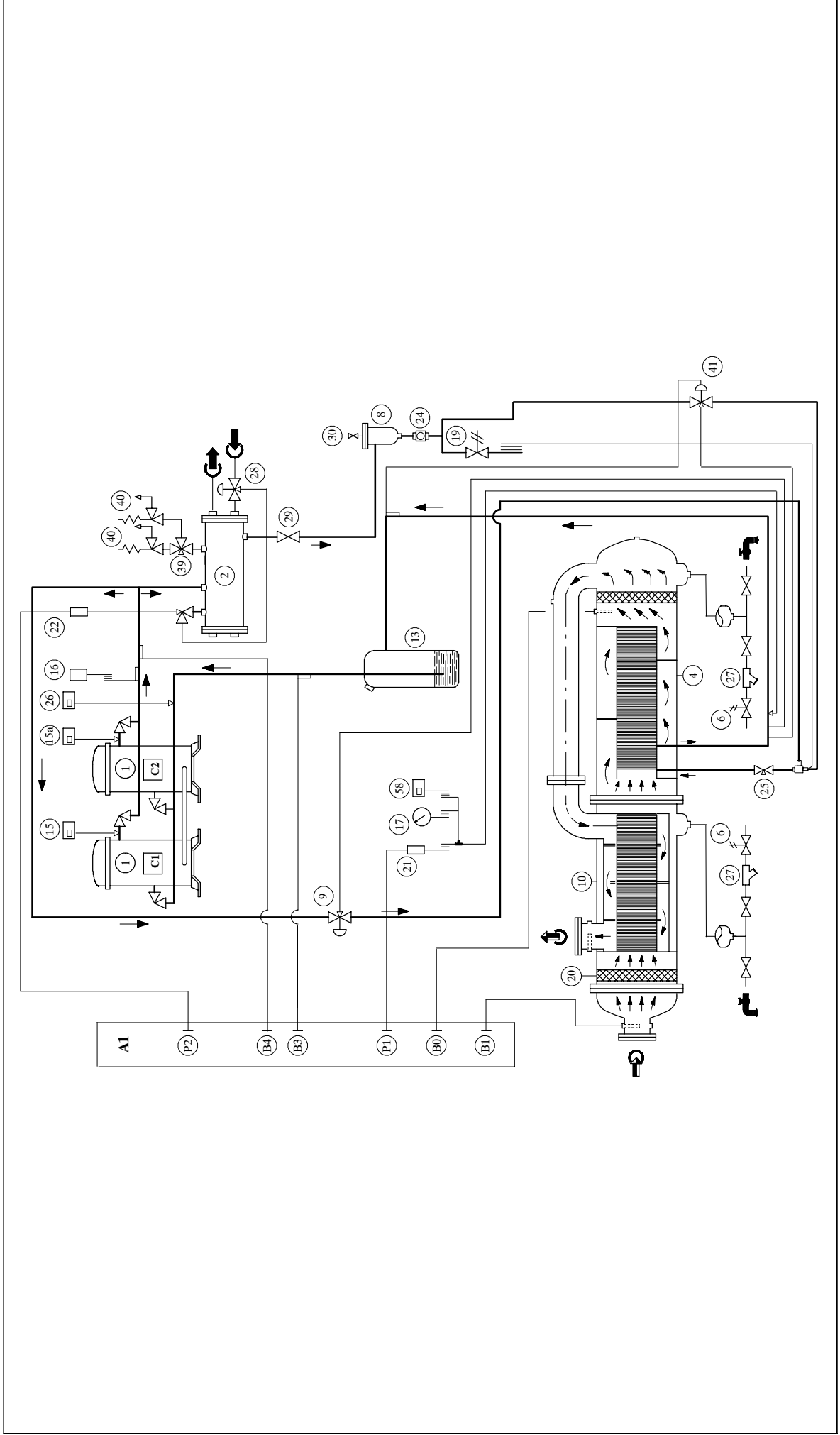
QSR130--350 with Control Hiromatic 50Hz

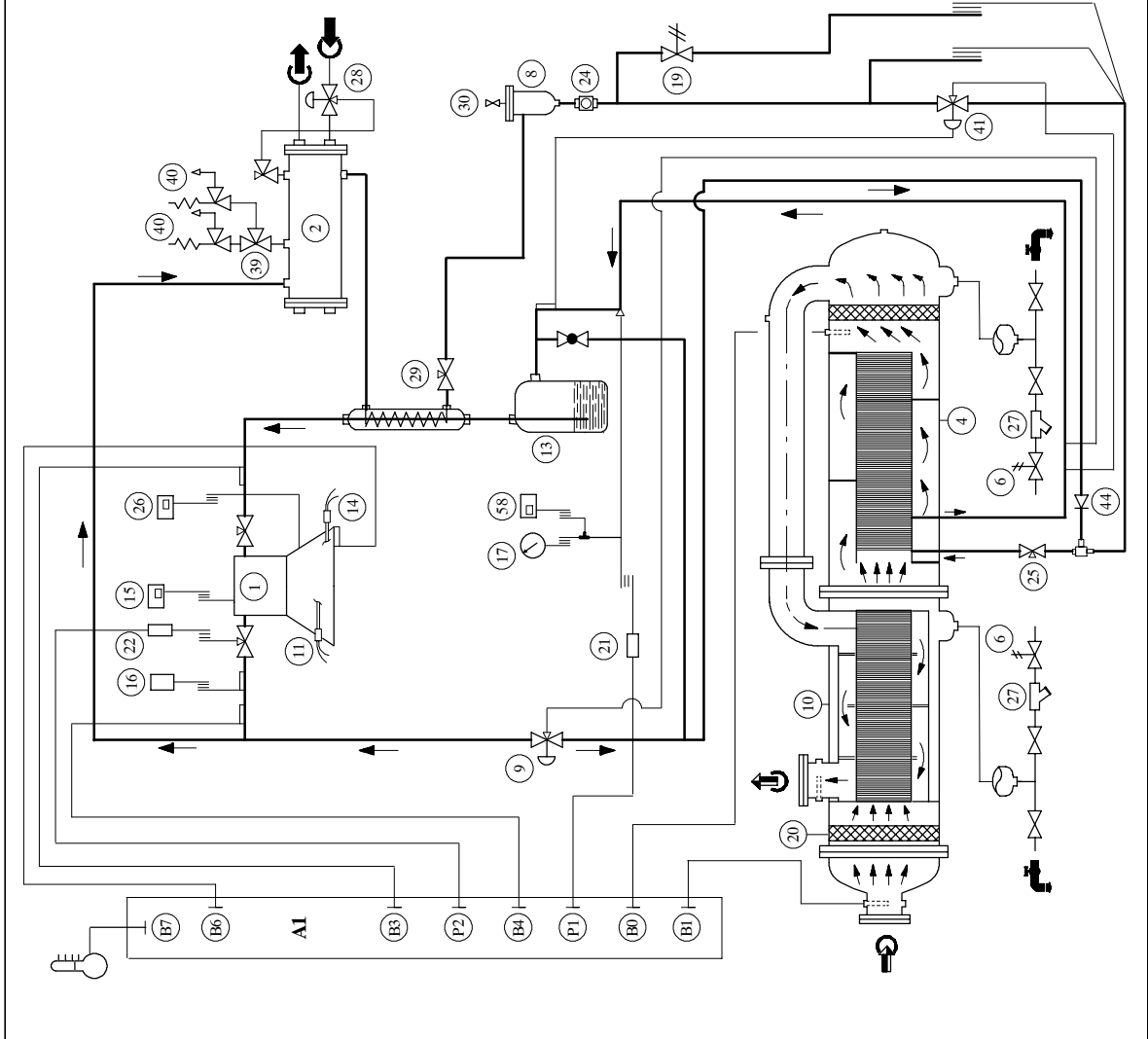
(Sheet 5 of 8)

	Pos.	QSR130 (Ac/Wc)	QSR170 (Ac/Wc)	QSR225 (Ac/Wc)	QSR280 (Wc)	QSR350 (Wc)
Compressor contactor	KM1-2		256068			-
	KMI		-			256070
Fan contactor	KM3-4-5		256066			-
Auxiliary transformer 24V / 230V	TC			256264		
Temperature sensor (5.5m)	t0-t7			275204		
Spikes suppressor filter	RC2			254656		
Varistor	RV1-2			255988		
Relay	KAI-8			256152		
Power supply 24VAC/DC 5A	GS			275908		
Hiromatic replacement kit	-			474041		
Eprom Hiromatic	-			275440		
Hiromatic Interface board	-			275142		
Set of connectors for Interface	-			275618		
BUS CARD RS422 kit	-			482992		

Individual spare parts







SPL002 --030 60Hz

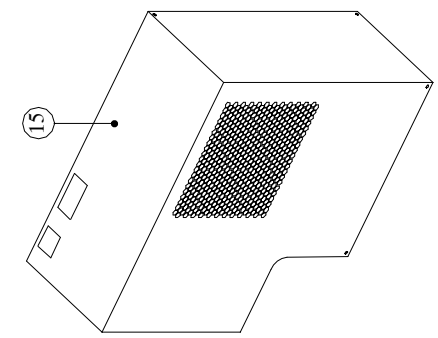
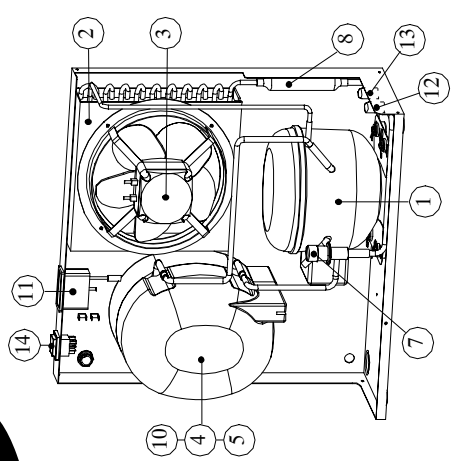
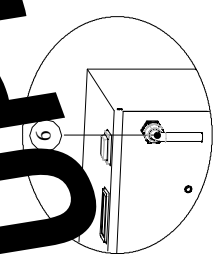
	Pos.	SPL002	SPL004	SPL006	SPL009	SPL012	SPL018	SPL024	SPL030
Compressor kit	① ⑧		473196			473197	473198	473199	473052
		115V/1Ph 230V/1Ph			-				473053
Fan kit	③		473056			473261		473262	474422
		115V/1Ph 230V/1Ph			-				474423
Automatic expansion valve kit	⑦ ⑧				473055				473109
Refrigerant condenser	②		114800			114801	114802		114804
Evaporator / Separator / Air - air heat - exchanger	④ ⑤ ⑩		472157			472158			
Power cable	⑥				255132				
Refrigerant filter	⑧				06214				
Dewpoint indicator	⑪				54317				
Fan thermostat switch	⑫				33924				
High temperature thermostat	⑬				473399				
Main power switch	⑭				255132				
Cover	⑮							137827 *	137931 **
Condensate drains								137926 **	

* Black

** Light grey

Drainage should be performed every 12 months. For further information please see the Condensate drains Section.

SEE UPDATED SECTION



SPL040 – 060 60Hz

(Sheet 1 of 2)

	Pos.	SPL040	SPL050	SPL060
Compressor kits	(1) (8)	474427	474429	-
		474428	474430	474431
Fan kits	(3)		474422	-
			474423	
Automatic expansion valve kit	(7) (8)	474432		
Hot gas valve kits	(8) (9)	-		433
Refrigerant condenser	(2)	114808	11480	114810
Evaporator / Separator / Air – air heat – exchanger	(4) (5) (10)		472143	
Power cable	(6)	556347		-
Refrigerant filter	(8)		206218	
Dewpoint indicator	(11)		354317	
Fan pressure switch	(12)		354376	
High temperature thermostat	(13)	473399		474434
High pressure switch	(15)	-		354053
Fan thermostat with fan power switch	(16)		354324	
Power switch	QS	255132		255211
	HL	-	255239	-
Compressor relay	KM	-	255943	255229
		-		-
Cover	A	139139 *		255944
		139151 **		139147 *
				139152 **
Condensate drains	Drain maintenance should be performed every 12 months. For further information please see the Condensate drains Section.			

* Black

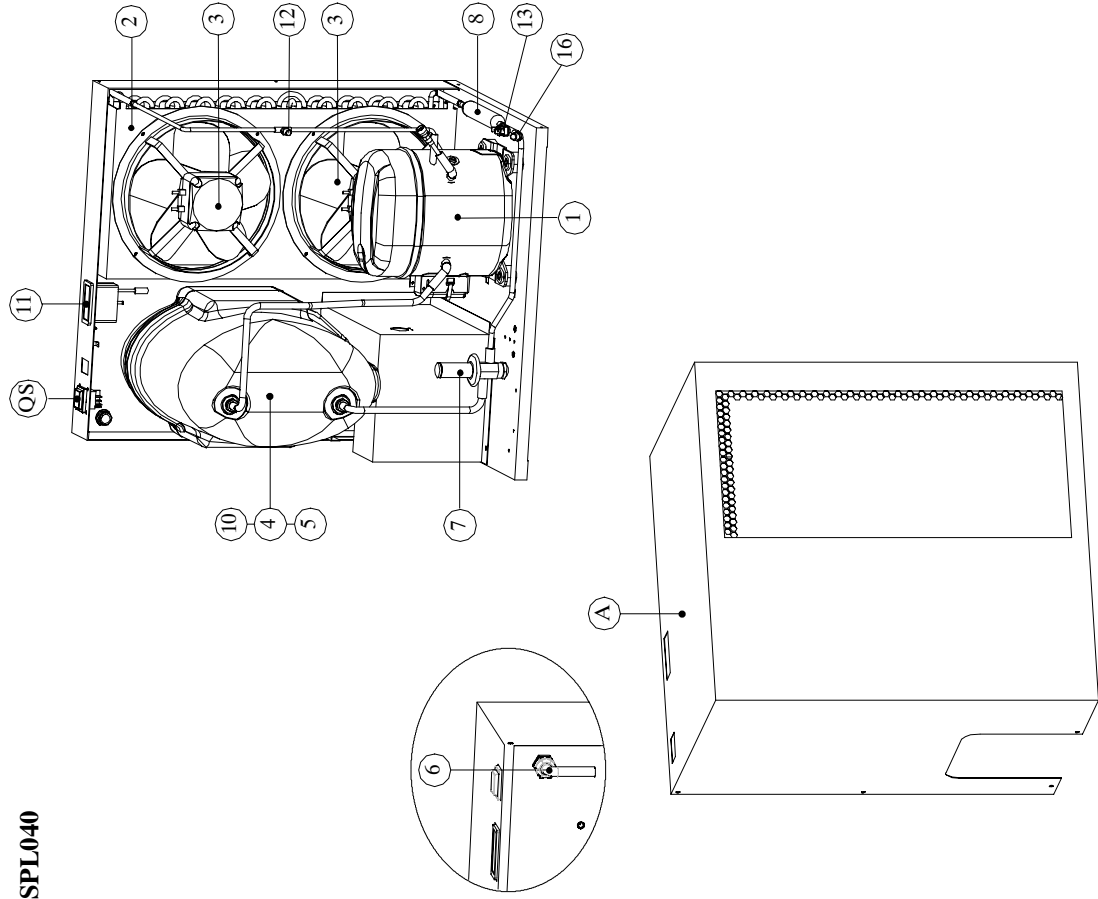
** Light grey

SEE UPDATED SECTION

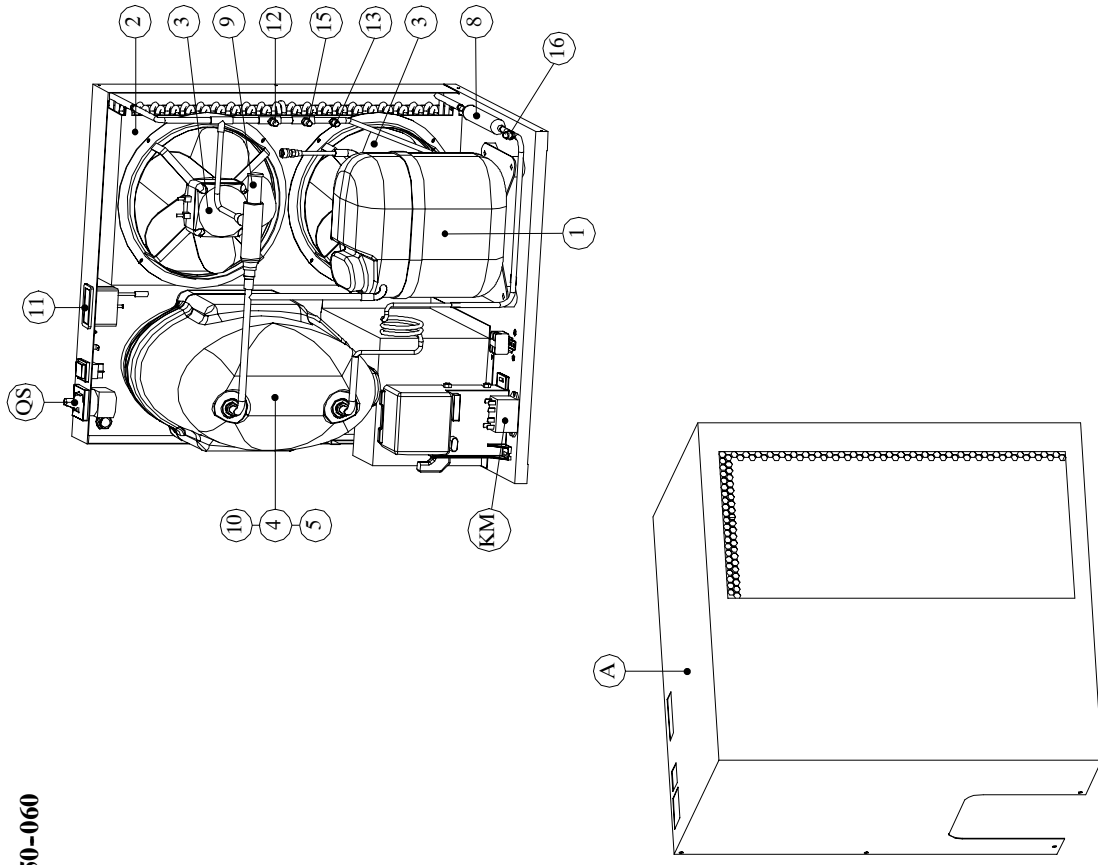
SPL040 --060 60Hz

(Sheet 2 of 2)

SPL040



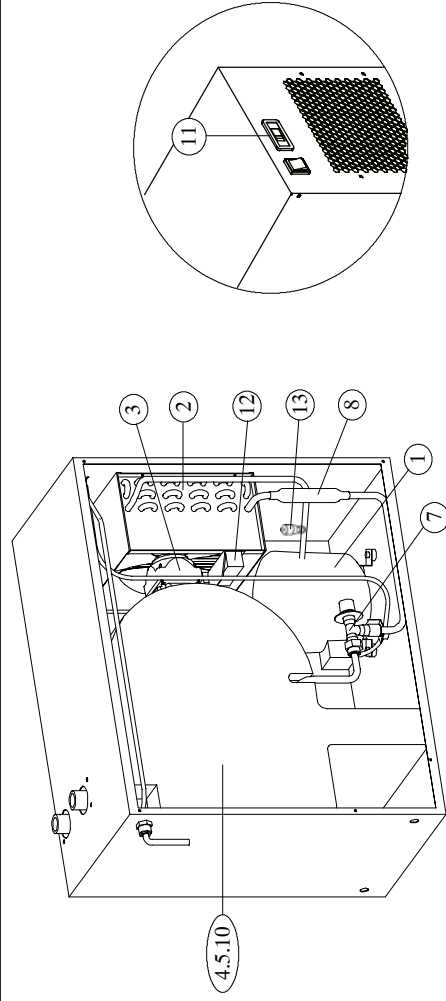
SPL050-060



SGB002 – 030 60Hz

	Pos.	SGB002	SGB004	SGB006	SGB009	SGB012	SGB018	SGB024	SGB030
3 year preventive maintenance kits	(11) (12)		--				473101		
Compressor kit	115V/1Ph	473046		473047	473048	473049	473050	473051	473052
	230V/1Ph								
Fan kit	115V/1Ph		473056			473057		473058	473053
	230V/1Ph								473059
Automatic expansion valve kit	(7) (8)		473055 473054				473055		473109
Refrigerant condenser	(2)		114722			114723	114724	114725	114737 114752
Evaporator / Separator / Air – air heat – exchanger	(4) (5) (10)		472049	472050		472051	472052		472054
Refrigerant filter	(8)					206214			
Dewpoint indicator	(11)						354317		
Fan thermostat switch	(12)		--				354244		
High pressure switch	(13)							354053	
Condensate drains									

Drain maintenance should be performed every 12 months. For further information please see the Condensate drains Section.



PST070 60Hz

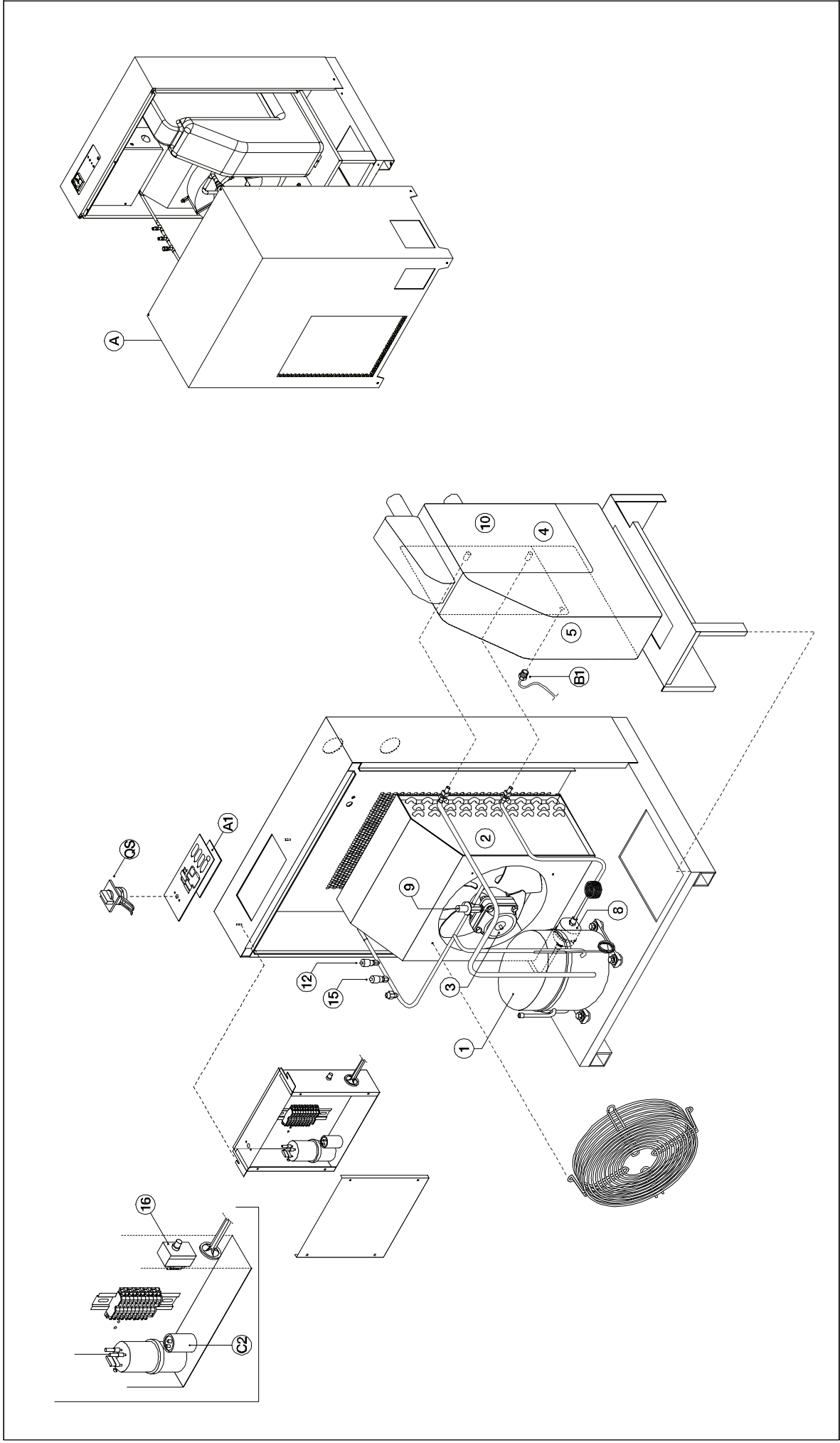
(Sheet 1 of 2)

	Pos.	PST070
3 year preventive maintenance kits	(12) (15) (16) B1 C2	473000
Compressor kits	(1) (8)	473275
Fan kits	(3) C2	473277
Hot gas valve kits	(8) (9)	473137
Refrigerant condenser	(2)	114736
Evaporator / Separator / Air - air heat - exchanger	(4) (5) (10)	473065
Refrigerant filter	(8)	706219
Fan pressure switch kit	(12)	473683
High pressure switch	(15)	354053
High temperature thermostat	(16)	354242
Main disconnect switch		255197
Fan capacitor		254282
Dew point temperature sensor (3m)	B1	275894
Electronic controller	A1	275763
Transformer	TCl	256374
Compressor	KMI	255944
Cover	A	137434 *
Electrovalve for timer drain	-	137742 **
Electrovalve for timer drain	-	698201
Condensate drains	Drain maintenance should be performed every 12 months. For further information please see the Condensate drains Section.	

* Black

** Light grey

SEE UPDATED SECTION



PST090 – 340 (Ac/Wc) 60Hz

(Sheet 1 of 7)

	Pos.	PST090	PST130	PST150	PST175	PST250	PST280	PST340
3 year preventive maintenance kits	230V/1Ph Ac	473899						
	230V/3Ph Ac							
	460V/3Ph Ac	473898						
	230V/3Ph Ac				473001			
	460V/3Ph Ac							
	230V/3Ph Wc							
	460V/3Ph Wc							
	230V/1Ph Ac/Wc	473897						
	230V/3Ph Ac/Wc	473896	473030	473344	473894			
	460V/3Ph Ac/Wc	473893	473005	473006	473891			473032
Compressor kits	230V/1Ph Ac	473278						
	230V/3Ph Ac							
	460V/3Ph Ac							
	230V/3Ph Ac							
Fan kits	230V/1Ph Ac							
	230V/3Ph Ac							
Hot gas valve kits	Ac/Wc							
	Wc							
Water condenser kits	Ac							
	Wc							
Refrigerant condenser	Ac							
	Wc							
Evaporator / Separator	Ac							
	Wc							
High pressure switch	Ac							
	Wc							
Individual spare parts	Ac							
	Wc							

SEE UPDATED SECTION

PST090 – 340 (Ac/Wc) 60Hz

(Sheet 2 of 7)

	Pos.	PST090	PST130	PST150	PST175	PST250	PST280	PST340
Liquid line solenoid valve	⑰	-	-	-	378734	-	-	-
Hot gas solenoid valve	⑱	-	-	-	378734	-	-	-
Water pressostatic valve	⑳	-	-	-	-	378206	-	378201
Electronic controller	AI	-	-	-	275765	-	-	-
Fan capacitor	C3	254345	-	-	-	-	-	-
Compressor capacitor	C2	254331	-	-	-	-	-	-
Dew point temperature sensor (3m)	B1	-	-	-	275894	-	-	-
Evaporation temperature sensor (3m)	B2	-	-	-	275894	-	-	-
Discharge temperature sensor (3m)	B3	-	-	-	275731	-	-	-
Condensate level sensor	CS	-	-	-	275752	-	-	-
Main disconnect switch	QSI	-	-	-	-	-	-	-
Automatic switch	QF1	256285	256416	256421	-	256421	256421	-
Automatic switch	QF2	-	-	-	-	-	-	-
Automatic transformer	TC1	256375	-	256372	-	-	-	256371

Individual spare parts

SEE UPDATED SECTION

PST090 – 340 (Ac/Wc) 60Hz

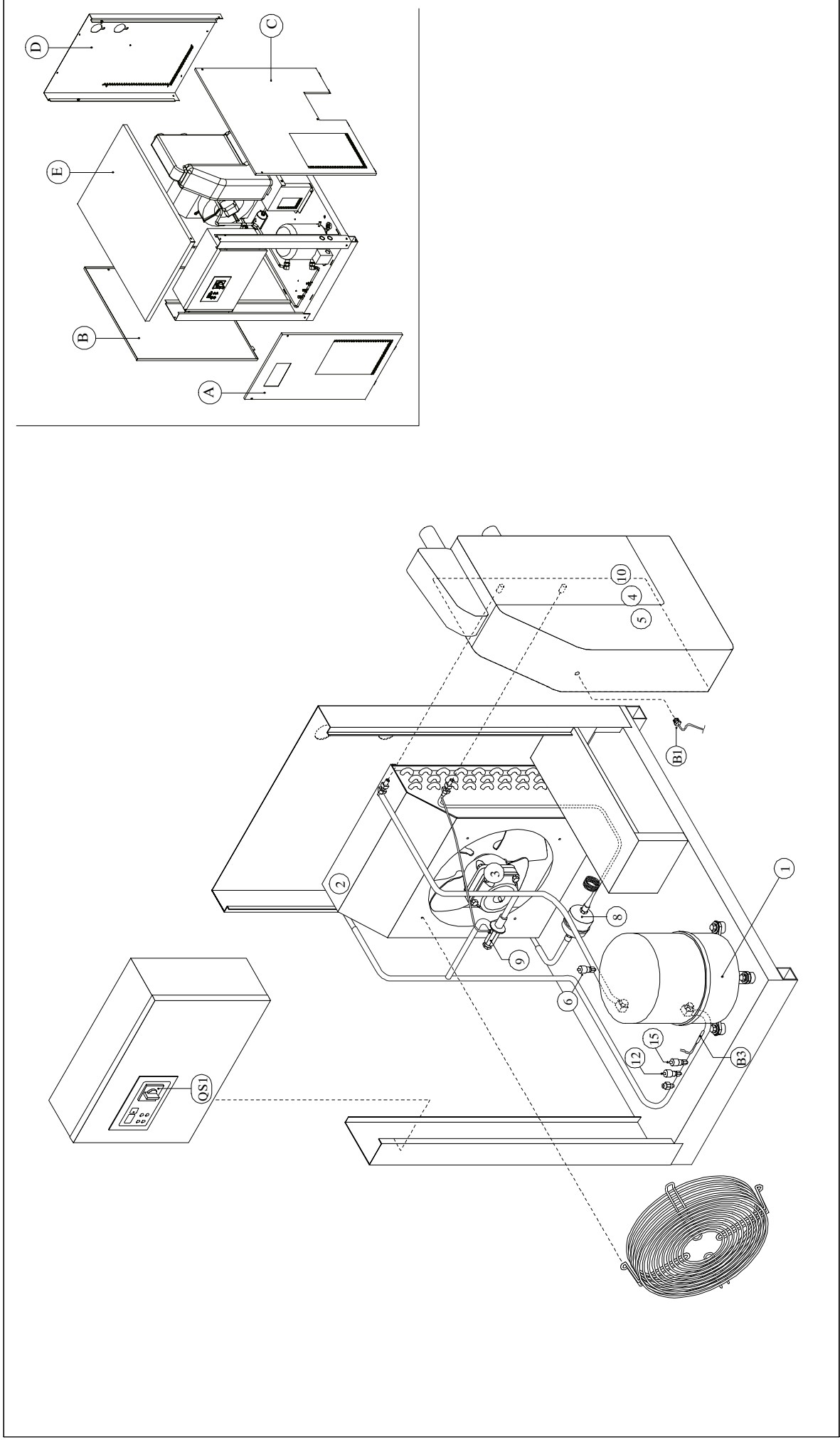
(Sheet 3 of 7)

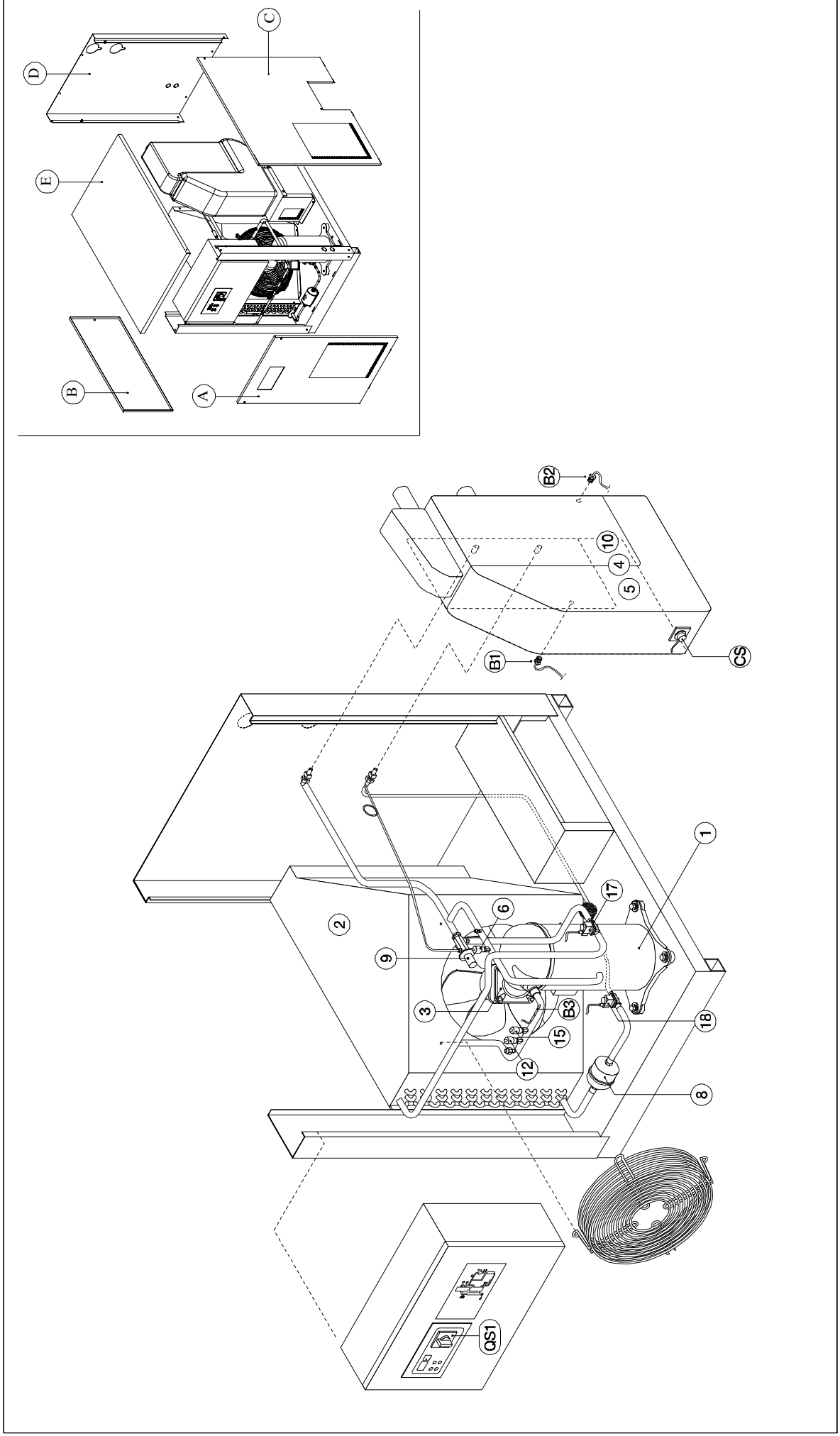
	Pos.	PST090	PST130	PST150	PST175	PST250	PST280	PST340
Fuses	230V/1Ph Ac/Wc	254692						
	230V/3Ph Ac/Wc	254692			254879			
	460V/3Ph Ac/Wc			254692				
Compressor contactor	230V/1Ph Ac/Wc			254775				
	230V/3Ph Ac/Wc			254778				
	460V/3Ph Ac/Wc	254776						
Fan contactor	KM1		256245					
High pressure alarm relay	KM2			256266				
Panels	Ac/Wc			256152				
	Wc							
	Ac/Wc							
Condensate drains	Ac/Wc							
	Ac							
	Wc							

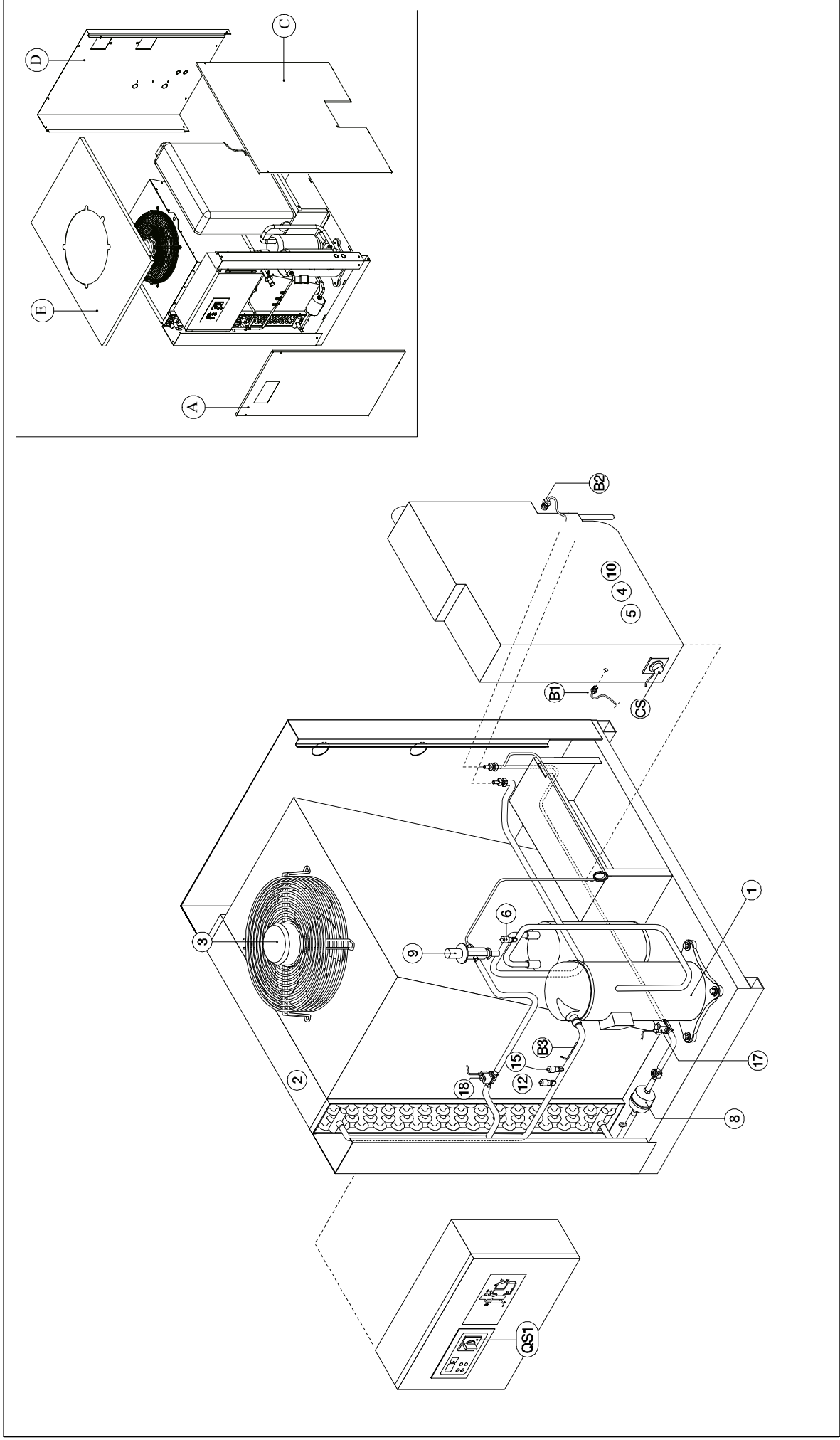
SEE UPDATED SECTION

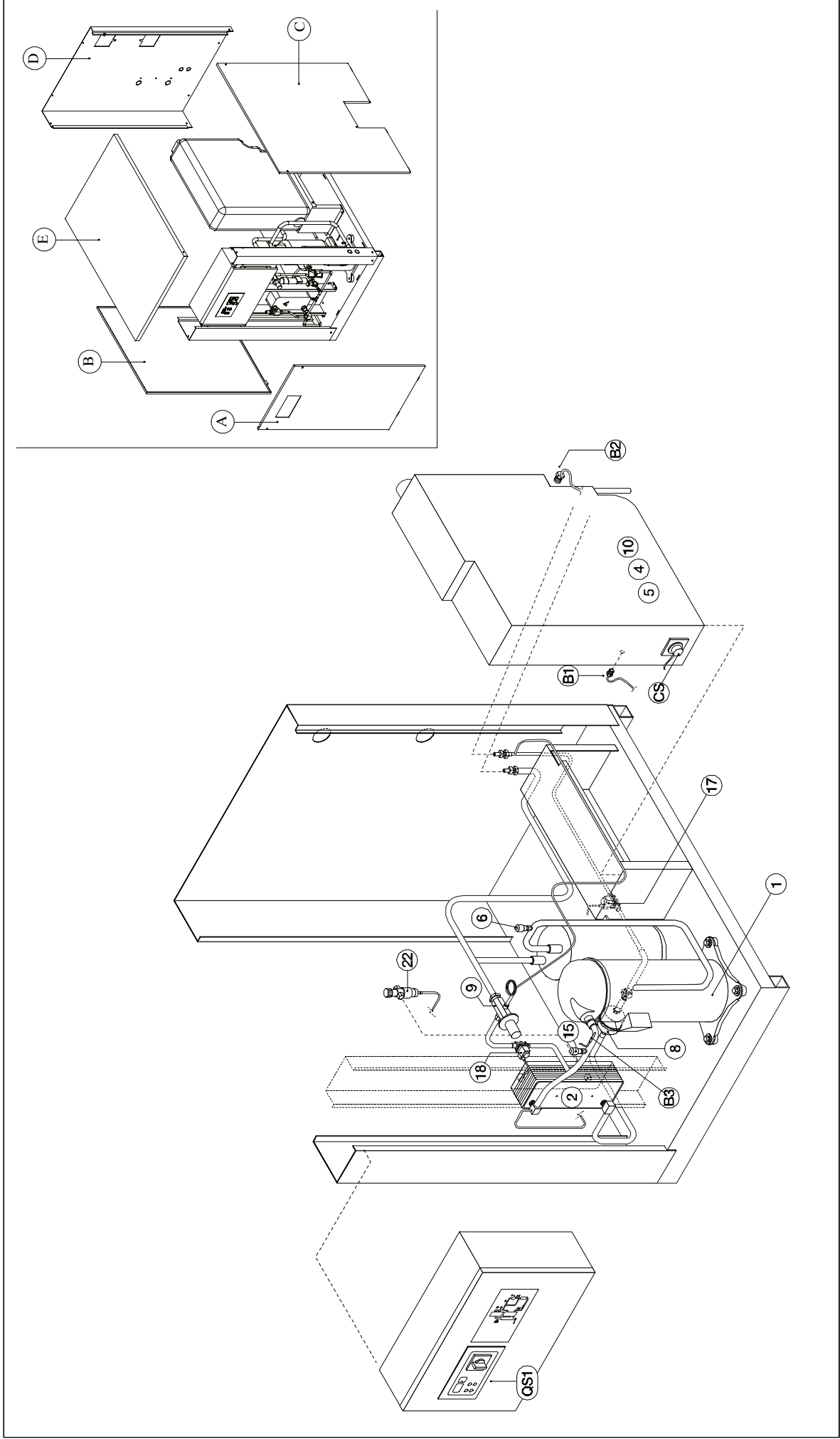
Drain maintenance should be performed every 12 months. For further information please see the Condensate drains Section.

* Black ** Light grey









PST390 – 1980 (Ac/Wc) 60Hz

(Sheet 1 of 12)

	Pos.	PST390	PST490	PST560	PST700	PST840	PST1020	PST1320	PST1650	PST1980
3 year preventive maintenance kits	Ac	(6) (12) (15) B1 B2 B3 KM2				473001				
	Wc	(6) (15) B1 B2 B3				473269				
Kits	Ac/Wc	(1) (8) KM1	473889	473888	473887	473886	473885	473884	473816	473017
	Ac	(3) KM2	473039							
	Ac/Wc	(8) (9)	473139			473144		473172		473018
	Wc	(2) (8)	473270			473277				473268
	Ac	(2)	114790			114765	114815		114816	114817
	Ac/Wc	(4) (5) (10)				473068				
	Ac/Wc	(6)				354054				
	Ac/Wc	(8)			206223					206224
	Ac	(9)				473683				
	Ac	(10)				354052				
Individual spare parts	Liquid line solenoid valve	(17)	378734					378735		
	Hot gas solenoid valve	(18)					378736			
	Water pressure static valve	(22)	378201		378202			378203		378204
	Double plug	(27)								325546

SEE UPDATED SECTION

PST390 – 1980 (Ac/Wc) 60Hz

(Sheet 2 of 12)

	Pos.	PST390	PST490	PST560	PST700	PST840	PST1020	PST1320	PST1650	PST1980
Electronic controller	AI					275765				
Dew point / Evaporation temperature sensor (3m)	B1-B4					275894				
Evaporation temperature sensor (6m)	B2					275895				
Discharge temperature sensor (3m)	B3					275731				
Condensate level sensor	CS					275758				
Crankcase heater	EHI	328247				328247			328243	328242
Main disconnect switch	QSI		256421			256421	256422			256414
Automatic switch	QF1		256058			256377				256378
Automatic switch	QF2				256058					256287
Auxiliary transformer	TC1					256371				
	-2					254692				
Fuses	FU1					254775				
	FU4					254778				
	FU11-21					254694				
Compressor contactor	KM1		256246			256362				256296
Fan contactor	KM2					256266				
Overload relay	KM3			--					256266	
High pressure alarm relay	KA1					256152				
Timed crankcase heater relay	KT			--						255367

Individual spare parts

SEE UP DATED SECTION

PST390 – 1980 (Ac/Wc) 60Hz

(Sheet 3 of 12)

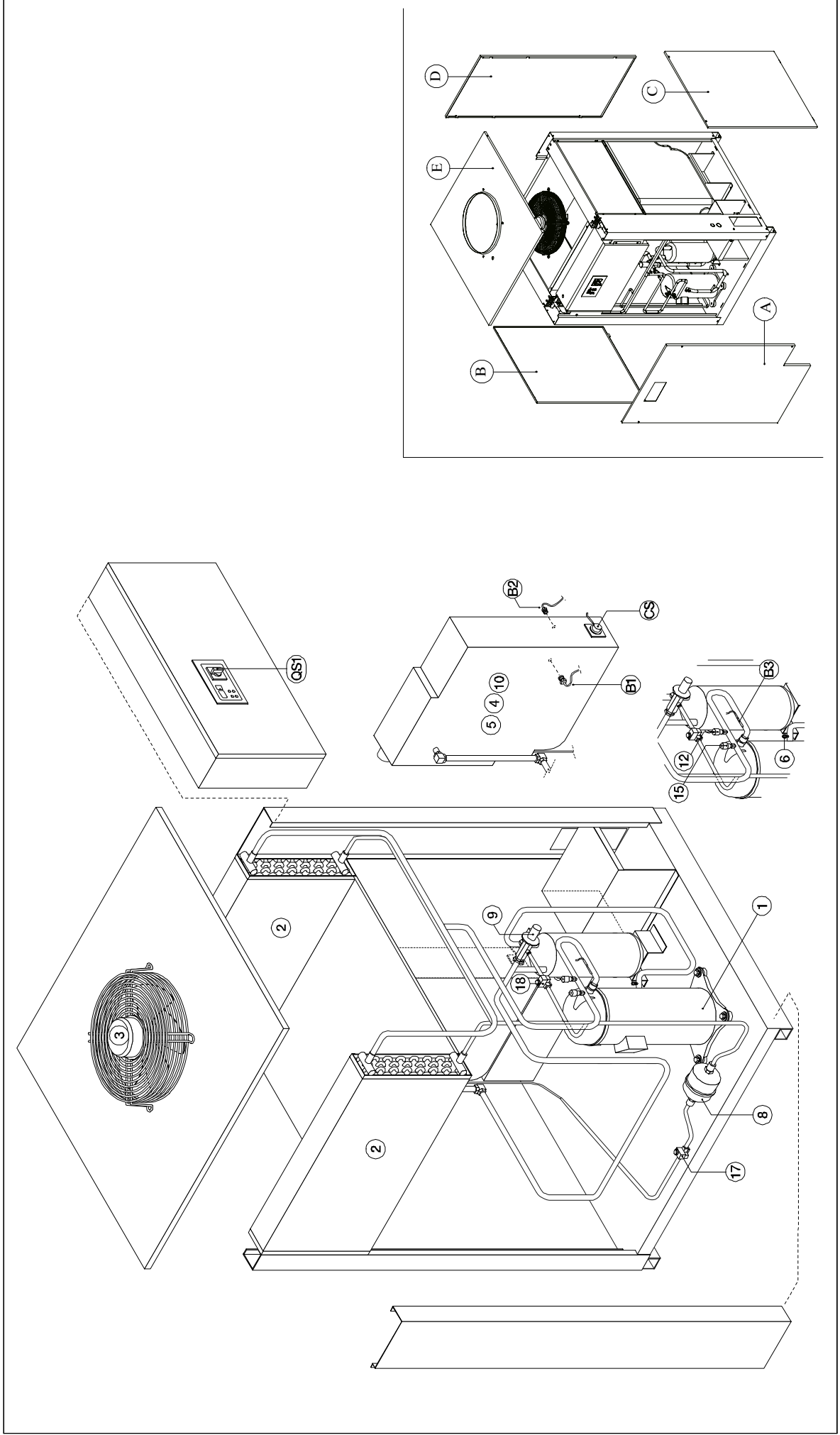
	Pos.	PST390	PST490	PST560	PST700	PST840	PST1020	PST1320	PST1650	PST1980
Ac/Wc	A					137385 *				
						137747 **				
Ac	B	137374 *				137394 *				
		137745 **				137746 **				137792
Wc		137374 *				137394 *				
		137745 **				137746 **				
Ac	C	137374 *				137394 *				
		137745 **				137746 **				137791
Wc		137374 *				137394 *				
		137745 **				137746 **				
Ac	D	139115				137386				137795
		139119				137388				137790
Wc		139115				137386				137815
Ac	E	137809				137812				137794 *
										137748 **
Wc										137817
Ac	G									137794 *
										137748 **
Wc										137818
Ac/Wc	-					698218				
Electrovalve for timer drain										
Condensate drain										

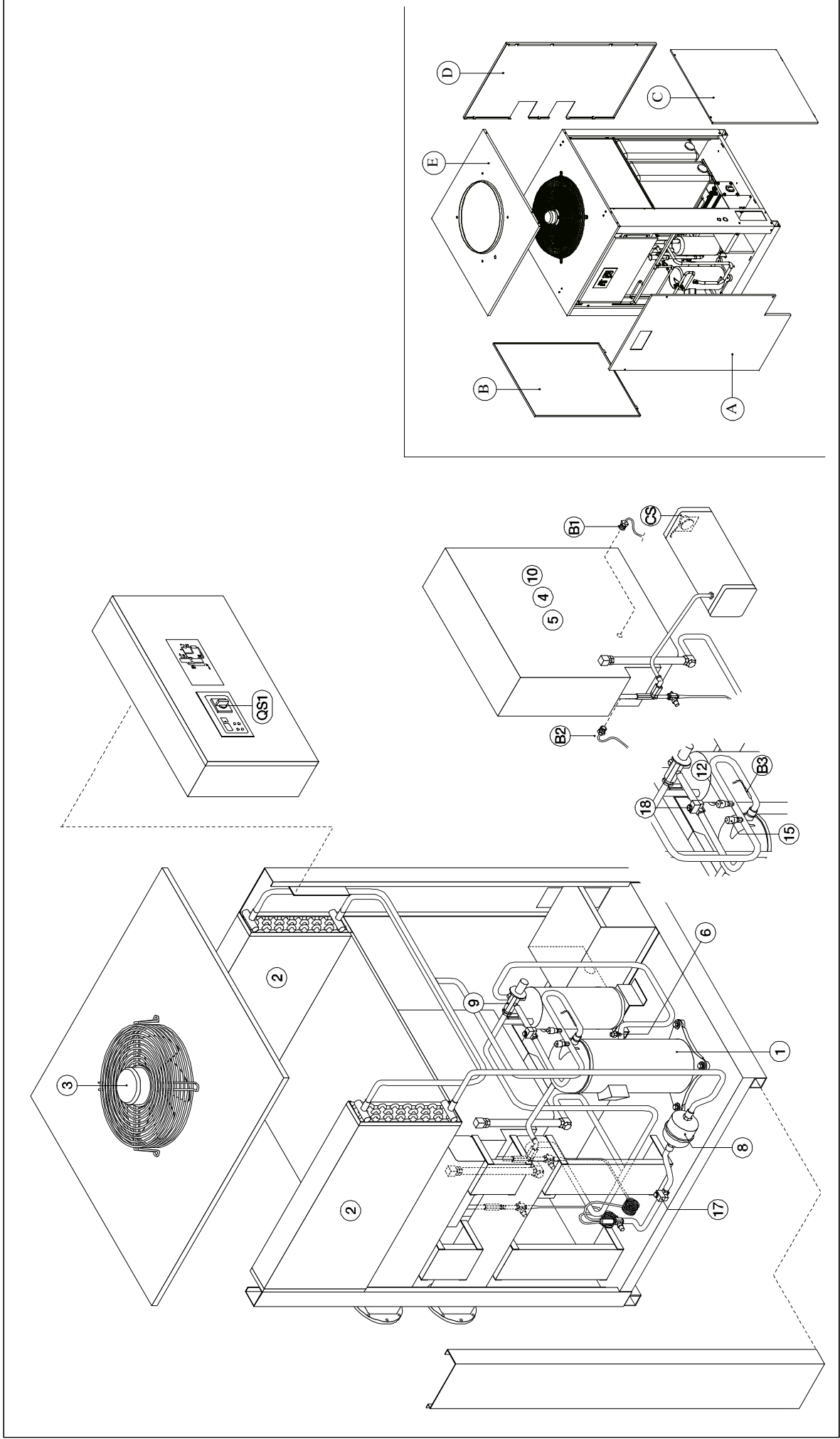
Drain maintenance should be performed every 12 months. For further information please see the Condensate drains Section.

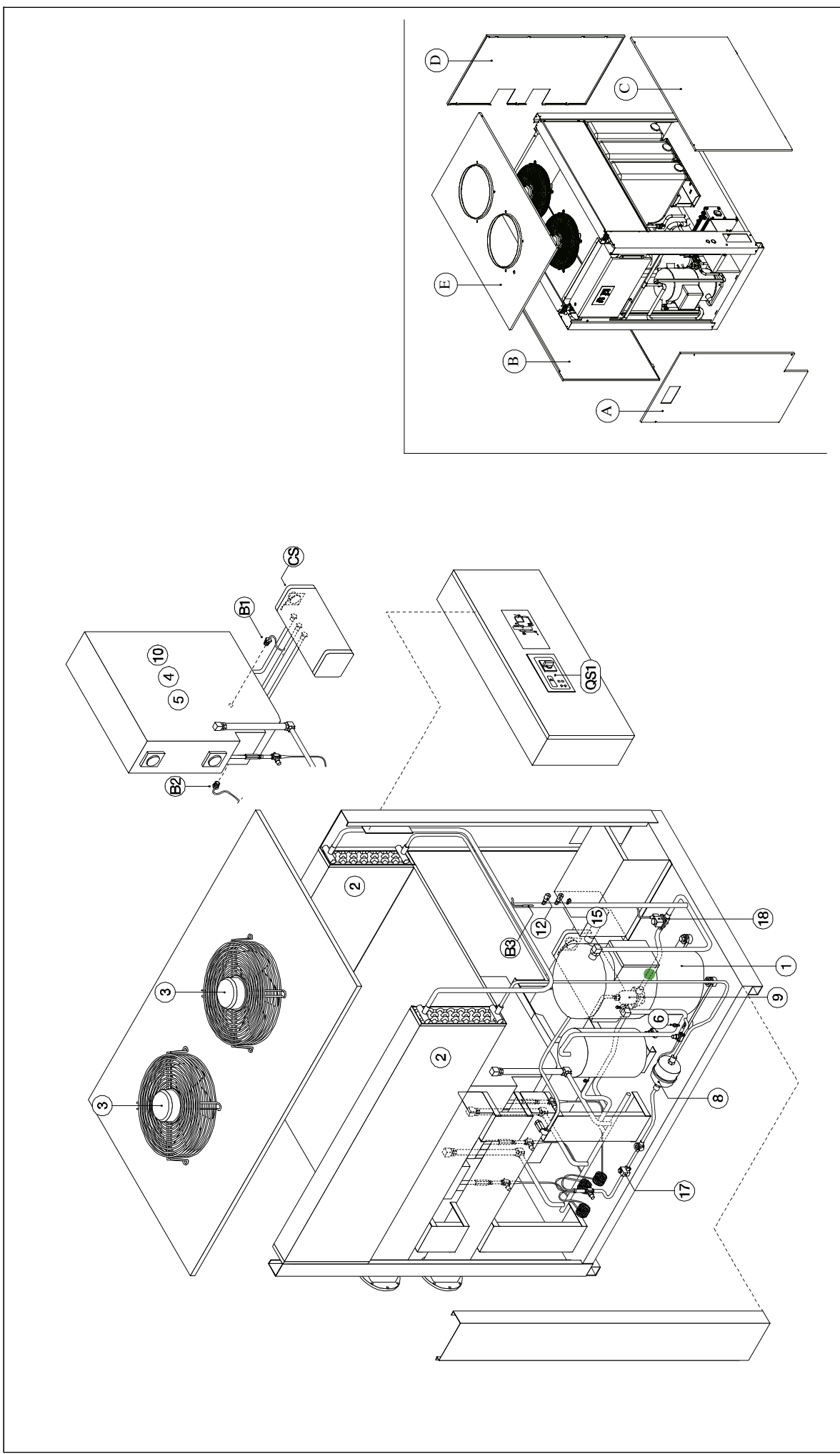
* Black

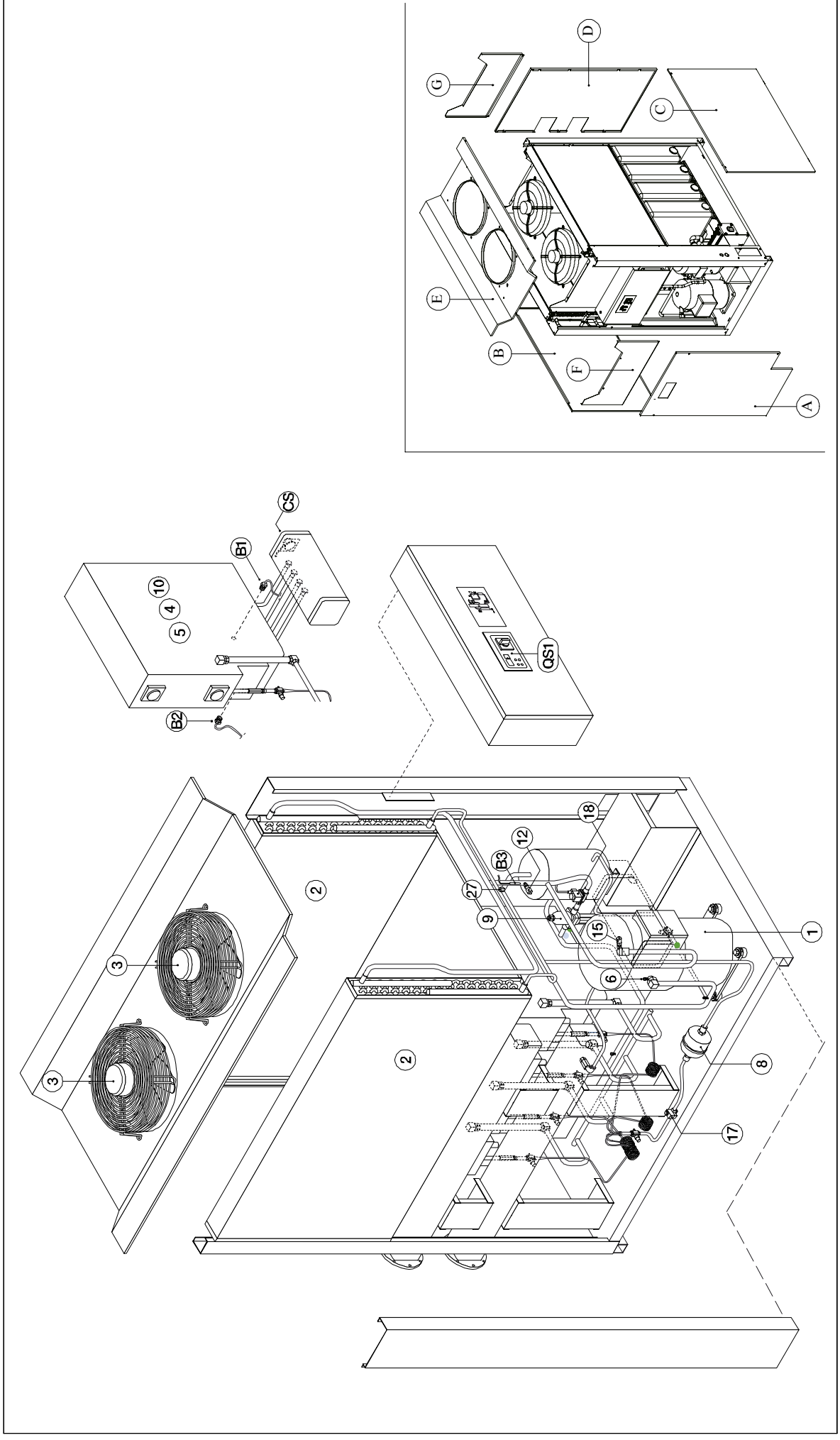
** Grey

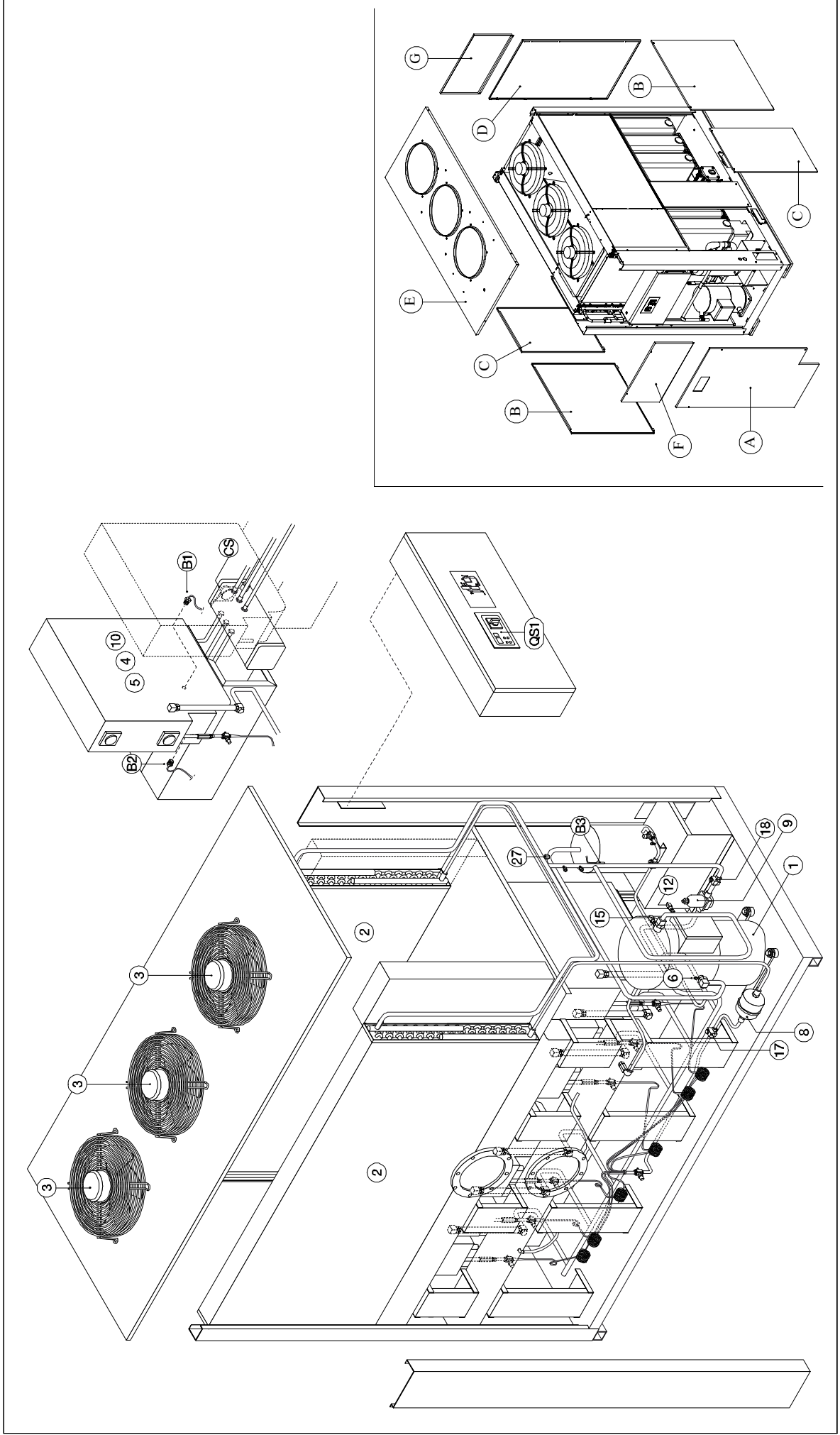
SEE UPDATED SECTION

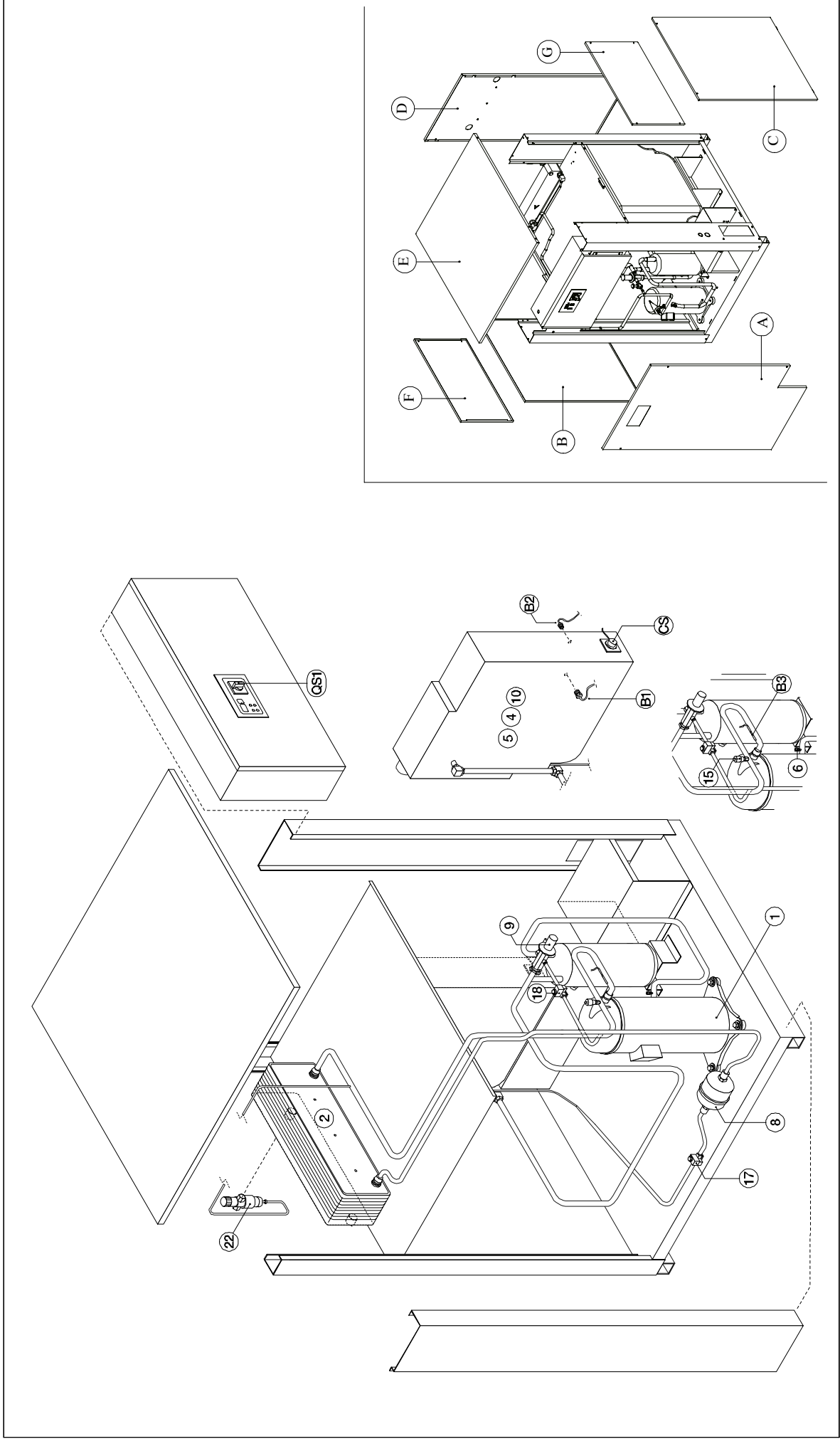


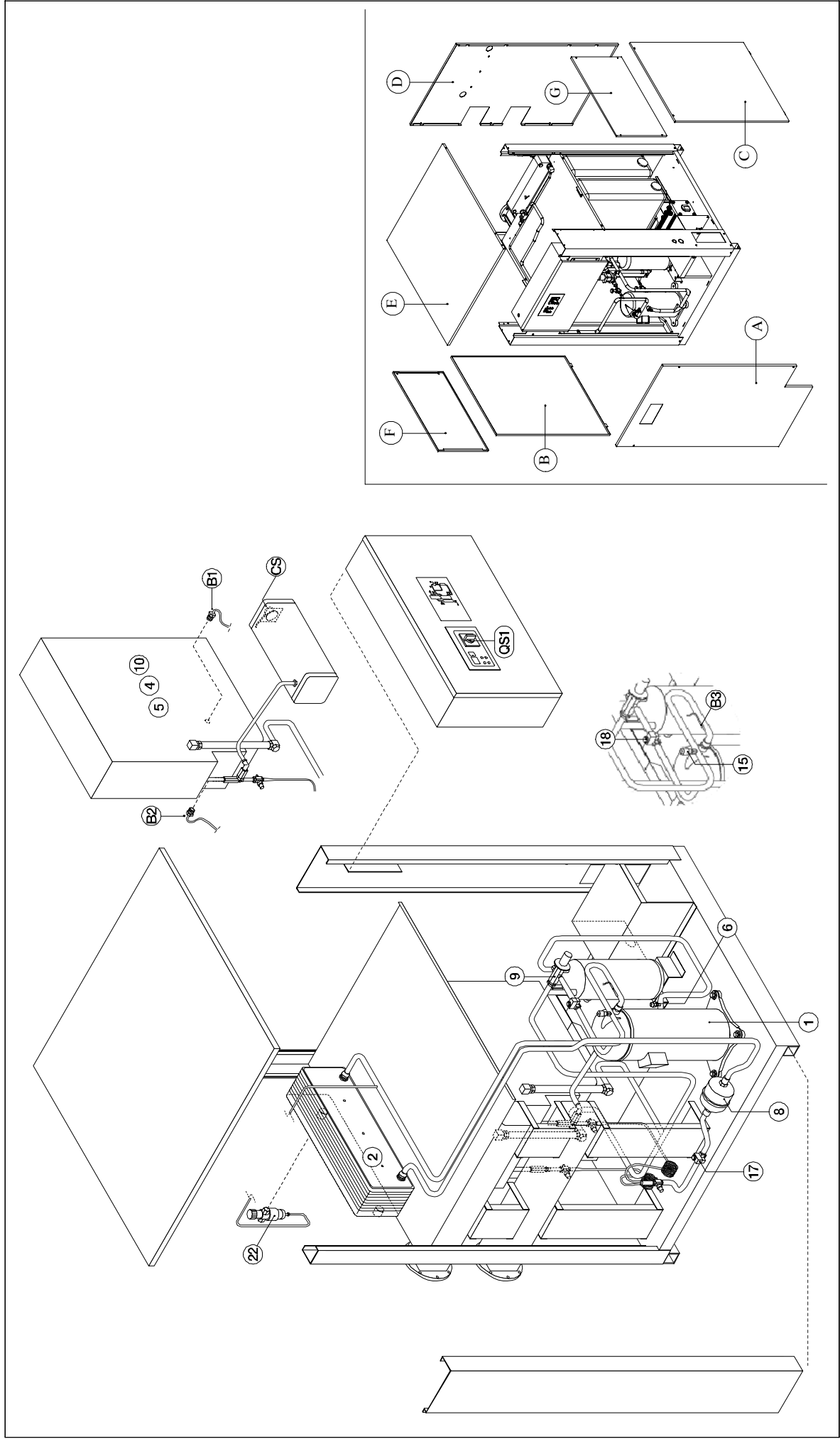


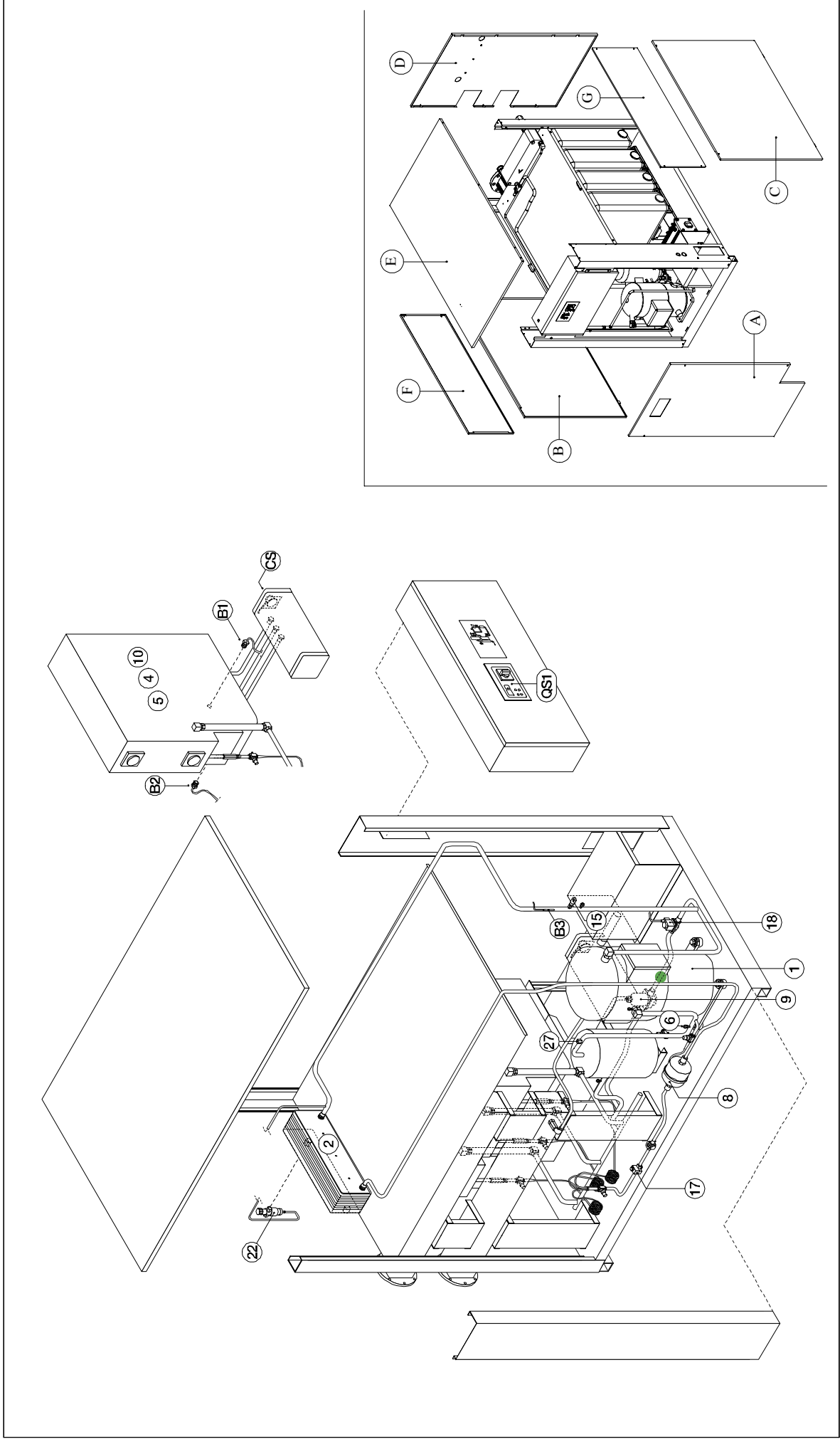


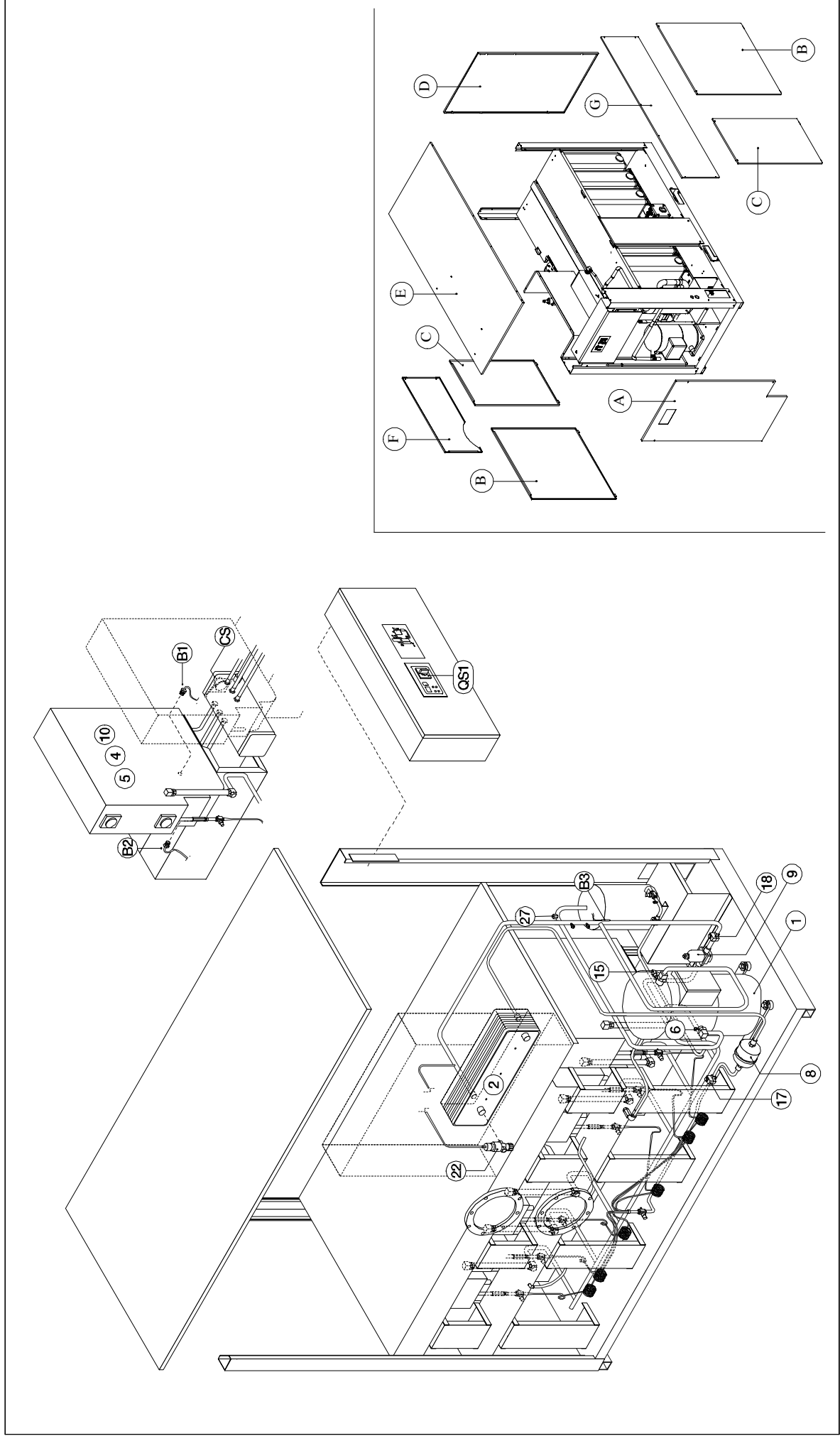








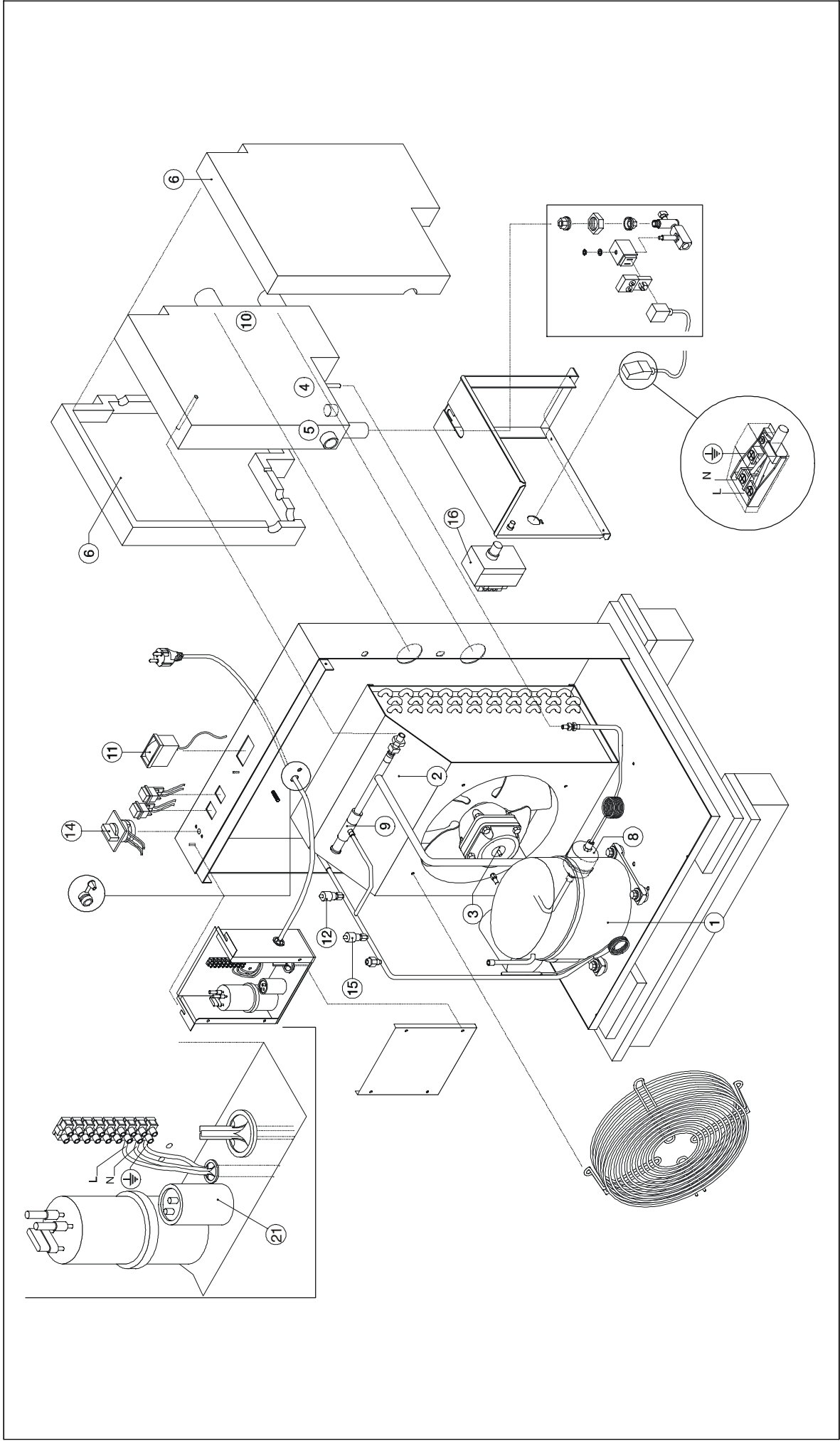




PGN040--070 60Hz

(Sheet 1 of 2)

	Pos.	PGN040	PGN050	PGN060	PGN070
3 year preventive maintenance kits	115V/1Ph		473157	-	-
	230V/1Ph		-	473158	
Compressor kits	115V/1Ph	473160	473163	-	-
	230V/1Ph	473161	473162	on request	473167
Fan kits	115V/1Ph		473186	-	-
	230V/1Ph		473187		
Hot gas valve kits			473136		473183
			114726		
Refrigerant condenser	115V/1Ph	114736	114726	-	-
	230V/1Ph		114726	114727	
Evaporator / Separator / Air-air heat-exchanger			473507	473508	
Refrigerant filter			206219		
Dewpoint indicator			354317		
Fan pressure switch			354055		
Main disconnect switch			255197		
High pressure switch			354053		
High temperature thermostat			354242		
Fan capacitor	115V/1Ph		254344	-	-
	230V/1Ph		-	254345	
Condensate drains	Drain maintenance should be performed every 12 months. For further information please see the Condensate drains Section.				



PGN090--1100 (Ac/Wc) 60Hz

(Sheet 1 of 6)

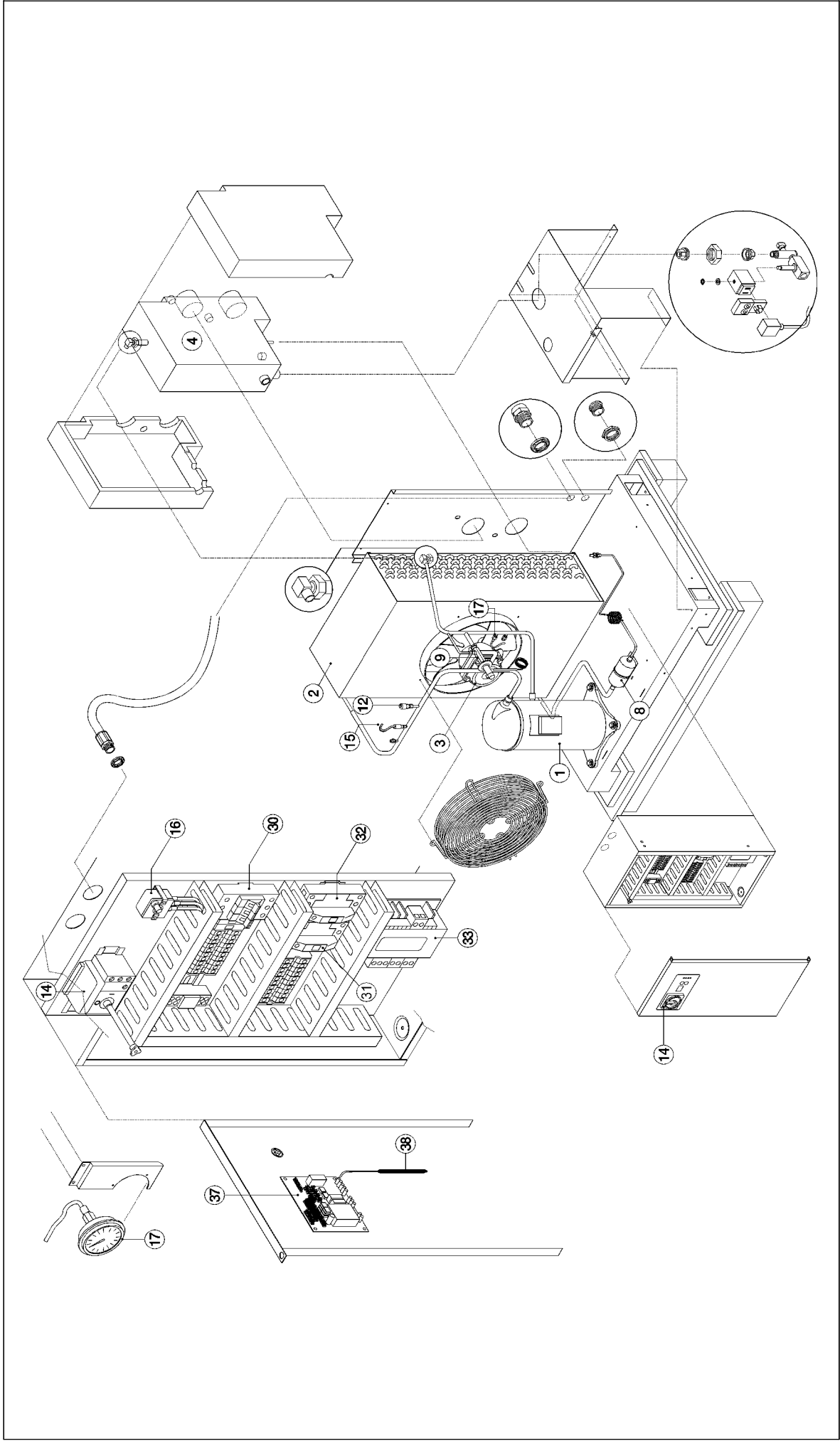
	Pos.	PGN 090	PGN 110	PGN 140	PGN 180	PGN 220	PGN 270	PGN 370	PGN 450	PGN 600	PGN 770	PGN 900	PGN 1100
3 year preventive maintenance kits	Ac	473159											
	Wc	473192											
Compressor kits	230V/1Ph Ac/Wc	473168	473171	-									
	230V/3Ph Ac/Wc	473169	473172	473174	473176	-							
	460V/3Ph Ac/Wc	473170	473173	473175	473177	473178	473179	473180	473181	473182			
Fan kits	230V/1Ph Ac	473188											
	230V/3Ph Ac 460V/3Ph Ac	473189											
Hot gas valve kits	230V/3Ph Ac	-											
	460V/3Ph Ac	-											
Water condenser kits	Ac/Wc	473194											
	Wc	473195											
Refrigerant condenser	Ac	473138											
	Ac/Wc	473139											
Evaporator / Separator / Air - air heat - exchanger	Ac	on request	114728	114729	114730	114731	114732	114733	114734	114735			
	Ac/Wc	473508	473503	473504	473505	473503	473504	473505	473504	473504	473505		
Refrigerant filter	Ac/Wc	206221											
	Ac	206222											
Main disconnect switch	230V/1Ph Ac/Wc	354055											
	230V/3Ph Ac/Wc	256419	-										
	460V/3Ph Ac/Wc	256416		256418	-								
High pressure switch	Ac	354052											
	Wc	354053											

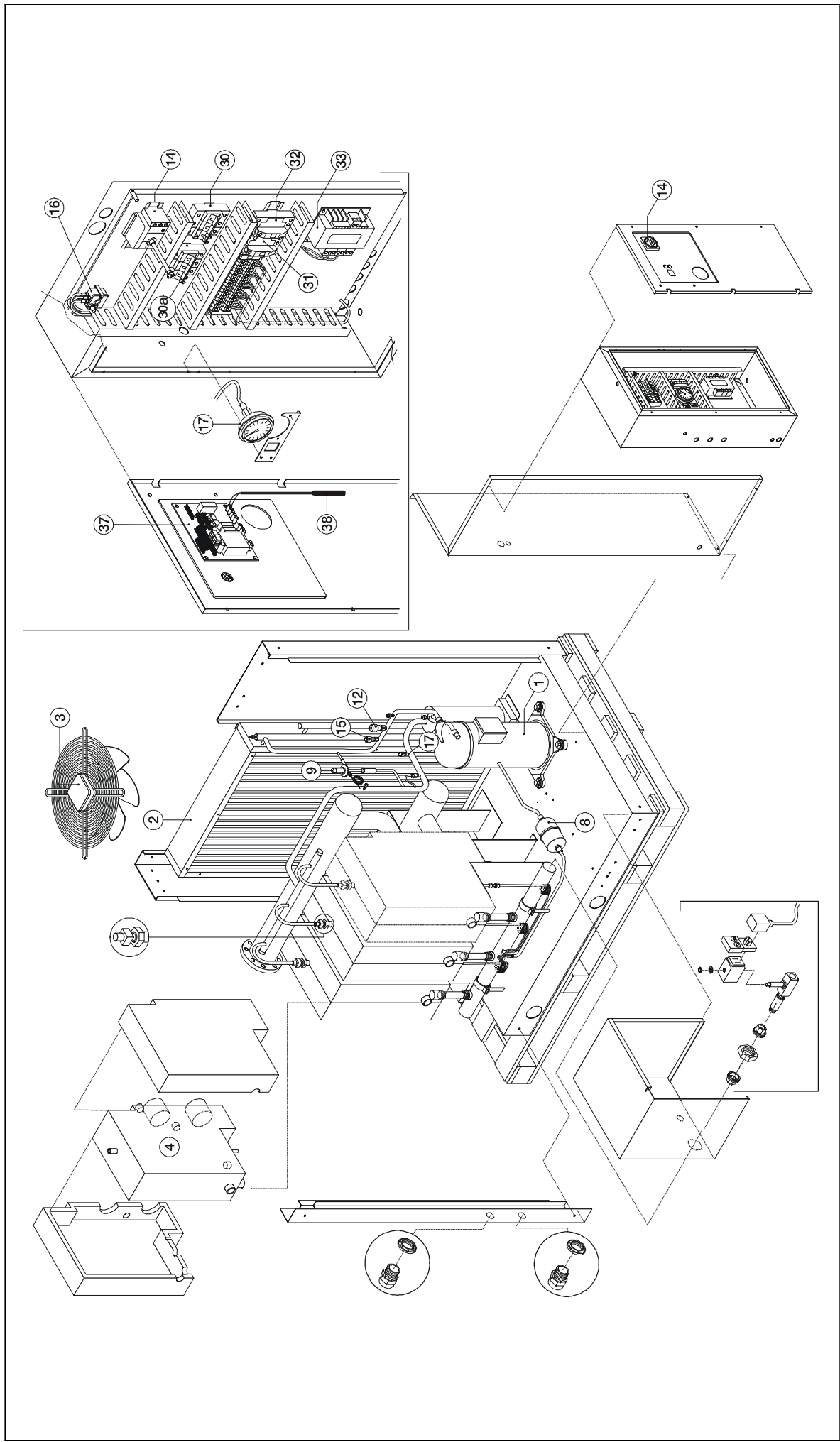
PGN090--1100 (Ac/Wc) 60Hz

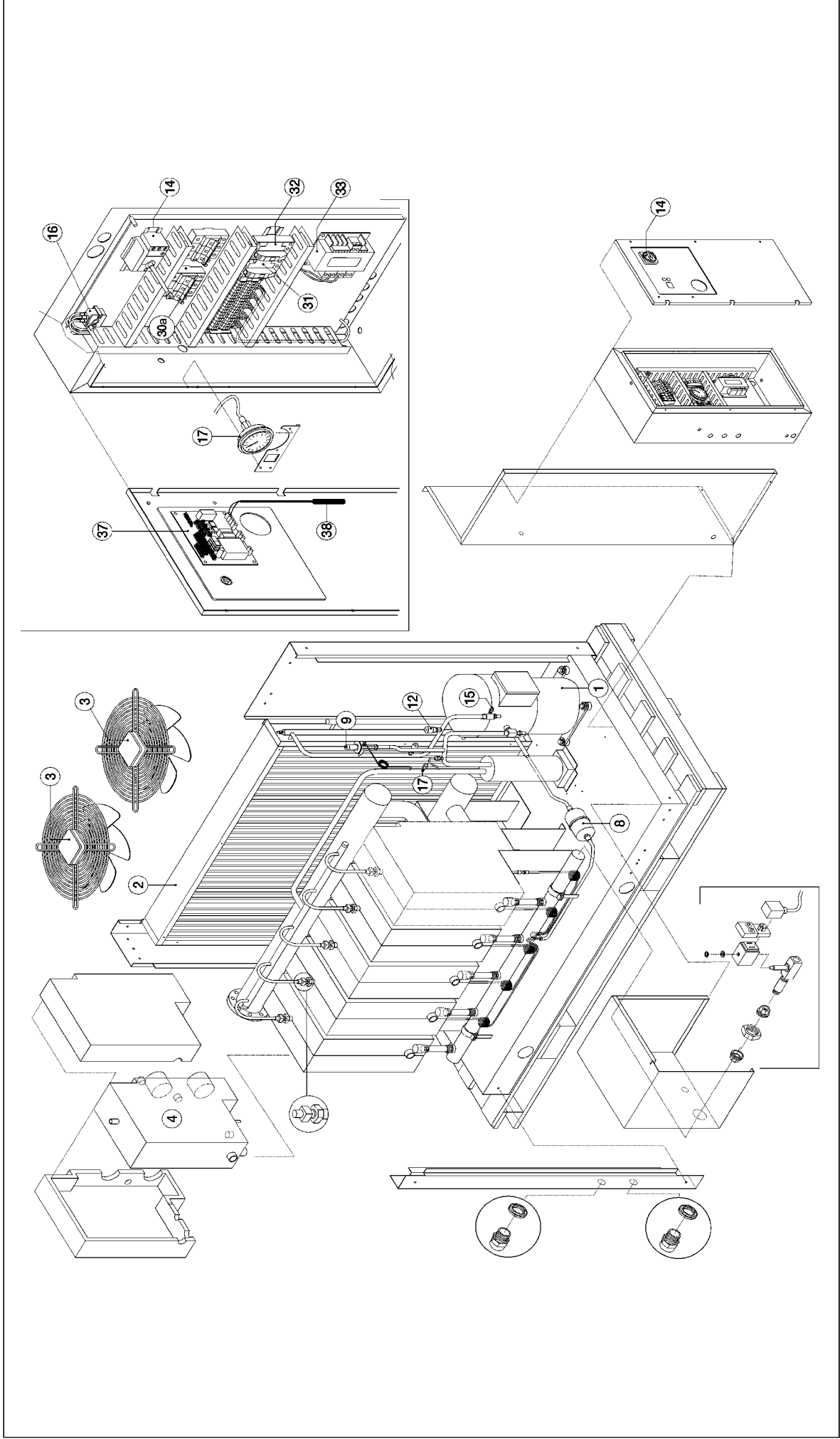
(Sheet 2 of 6)

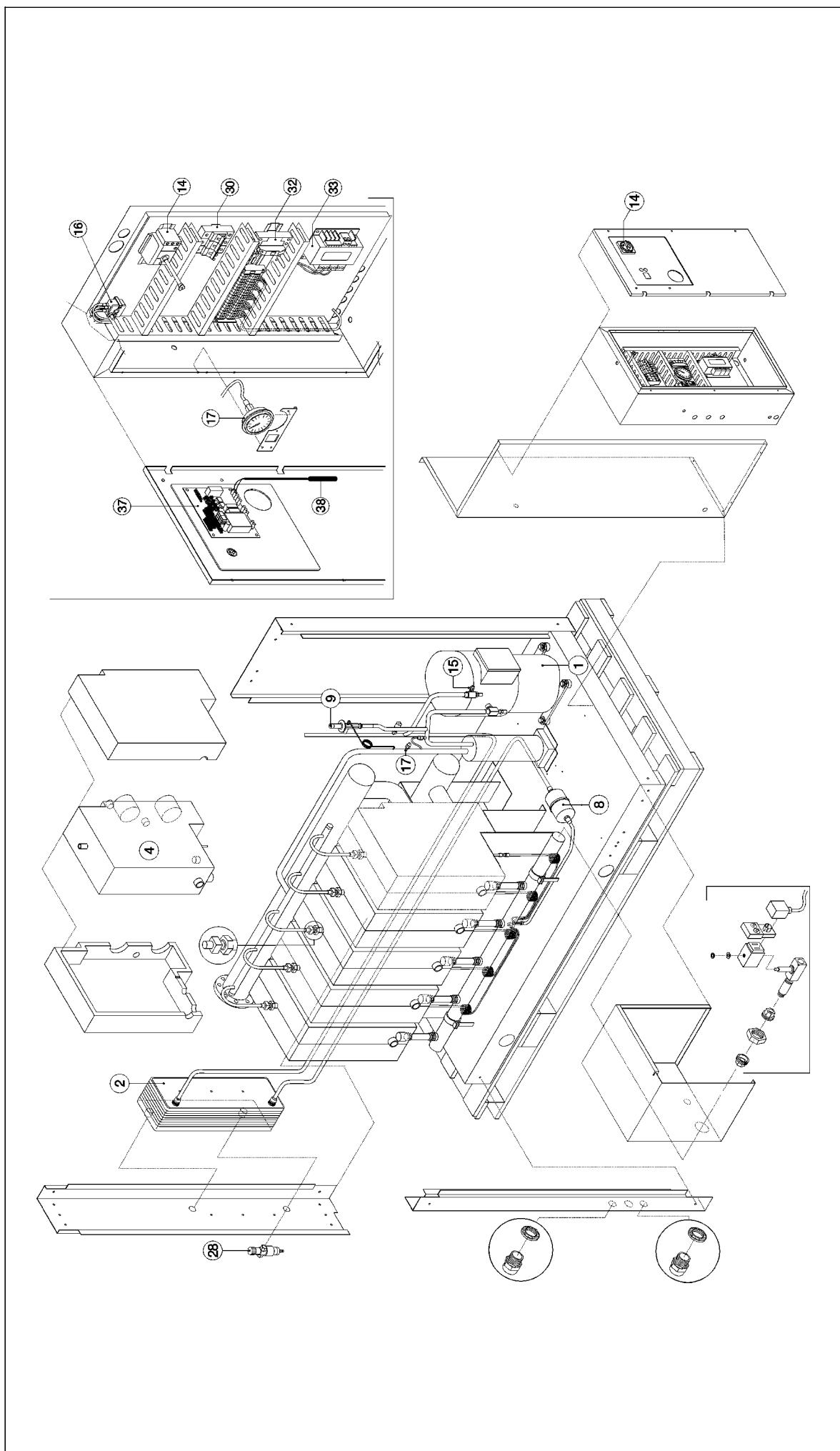
	Pos.	PGN 090	PGN 110	PGN 140	PGN 180	PGN 220	PGN 270	PGN 370	PGN 450	PGN 600	PGN 770	PGN 900	PGN 1100
High temperature thermostat	(16)												
Low pressure manometer	(17)												
Water pressostatic valve	(28)						378202		378203				378205
Automatic switch	(30)	230V/1Ph Ac/Wc	256194										
		230V/3Ph Ac/Wc		256217		256192							
		460V/3Ph Ac/Wc		256218		256192							256148
Ac	(30a)											256036	
Fan contactor	(31)												256066
Compressor contactor	(32)	230V/1Ph Ac/Wc		256115									
		230V/3Ph Ac/Wc			256071		256115						
		460V/3Ph Ac/Wc			256066		256115						256067
Auxiliary transformer	(33)											255896	
Control panel	(37)												275688
Dew point temperature sensor (6m -- CAREL)	(38)												275895
Dew point temperature sensor (4m -- SGE)													275266
Condensate drains		Drain maintenance should be performed every 12 months. For further information please see the Condensate drains Section.											

Individual spare parts







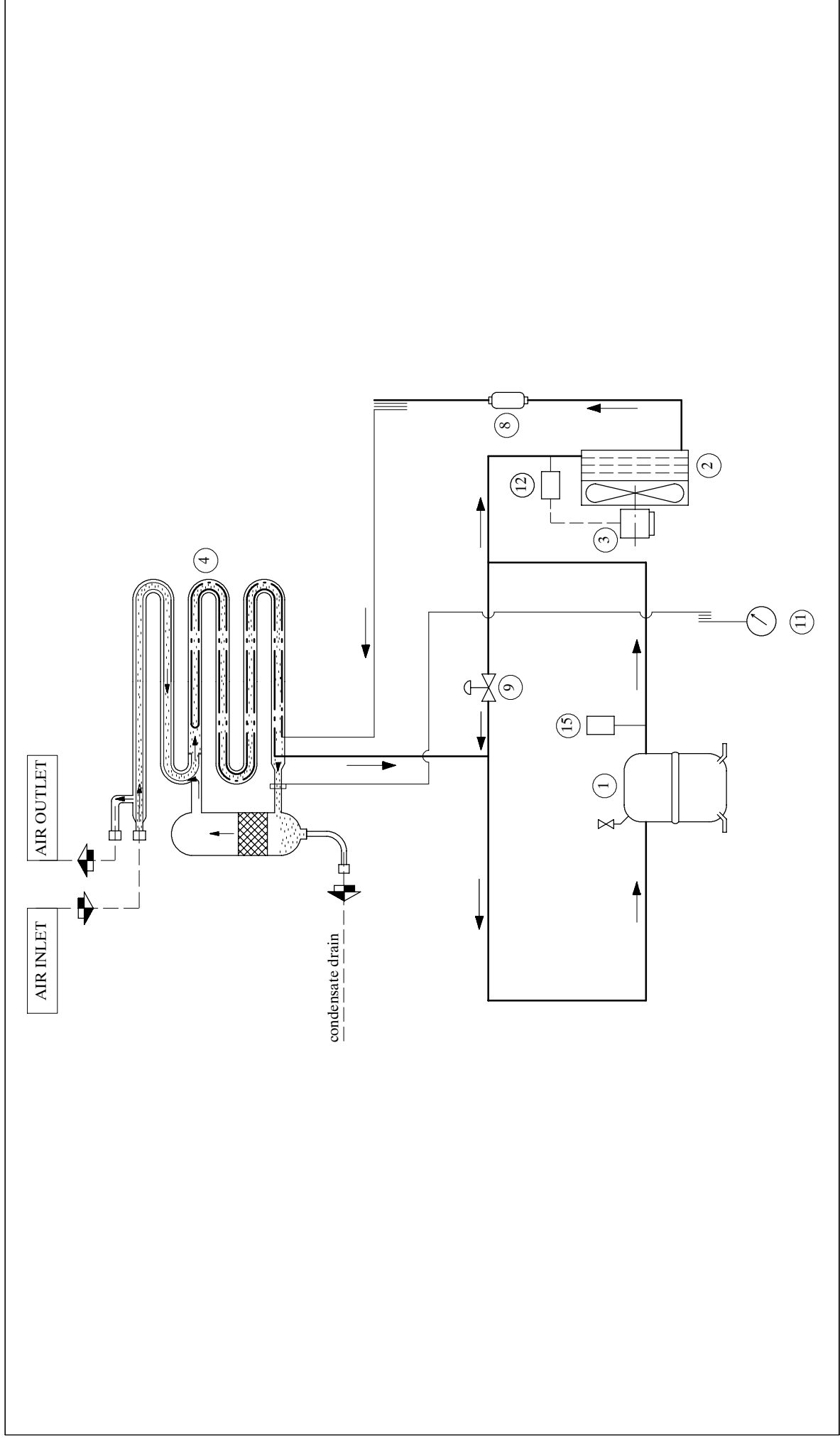


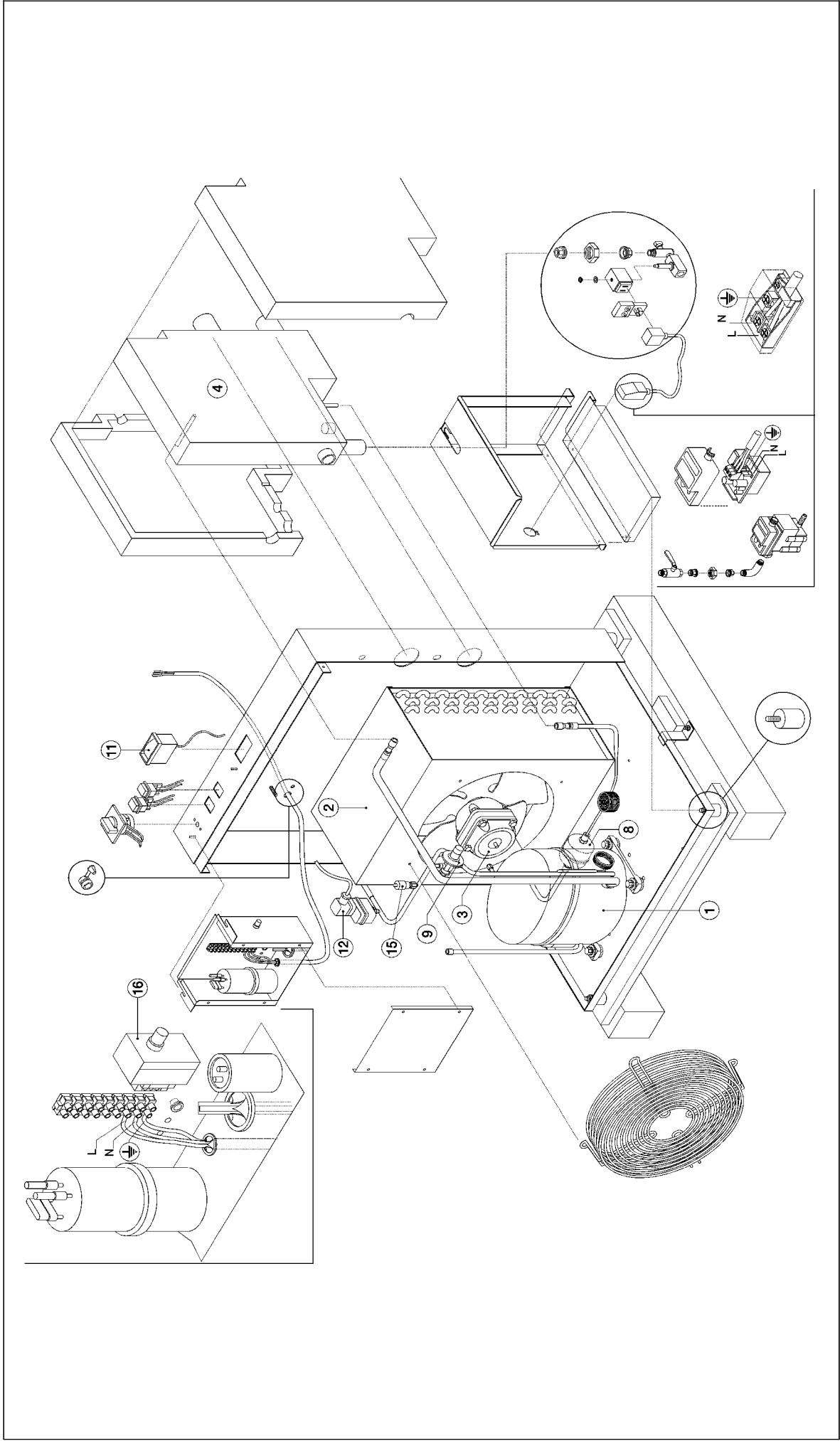
PGB006 – 080 60Hz

(Sheet 1 of 3)

	Pos.	PGB006	PGB012	PGB018	PGB022	PGB030	PGB040	PGB050	PGB060	PGB070	PGB080
Compressor	①	147139	147140	-	147141		147152	147733		-	
							147142	147734			on request
Refrigerant condenser	②	114715	114713		on request		114702		114714		
Fan motor	③	381747		473983			381759			-	
							381749		381753		
Evaporator / Separator / Air – air heat – exchanger	④		-		473506		473507			473508	
		473491	473492	473493	473494			-			
Refrigerant filter	⑧			206206				206219			
Hot gas valve	⑨			378710						378613	
Dewpoint indicator	⑪					354317					
Fan pressure switch	⑫			473470						354196	
High pressure switch	⑮	-	354118					354053			
High temperature thermostat	⑯		-					354242			
Main disconnect switch	HL			255104						-	
										255116	
Condensate drains	QS			-							
Drain maintenance should be performed every 12 months. For further information please see the Condensate drains Section.											

Individual spare parts



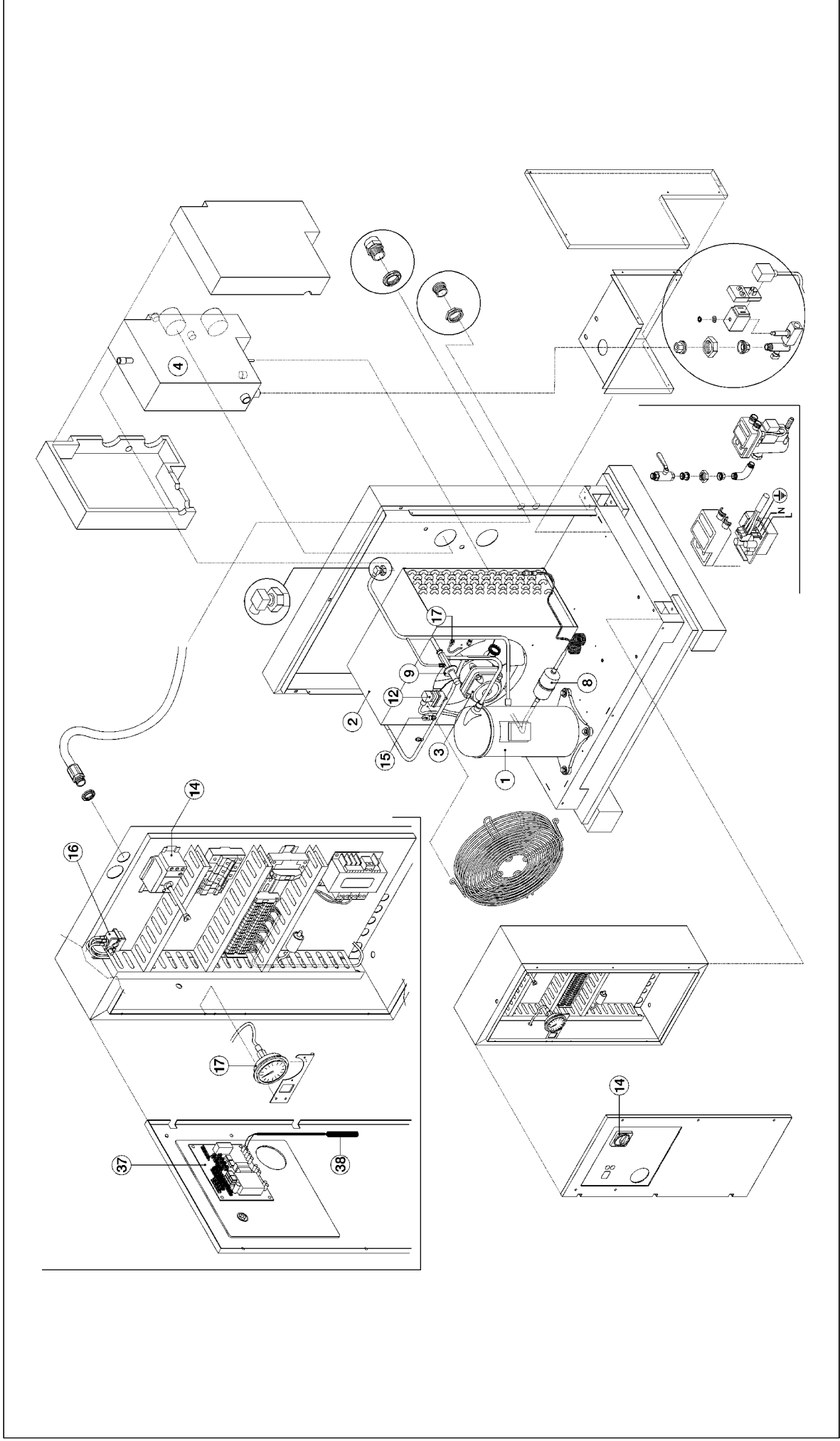


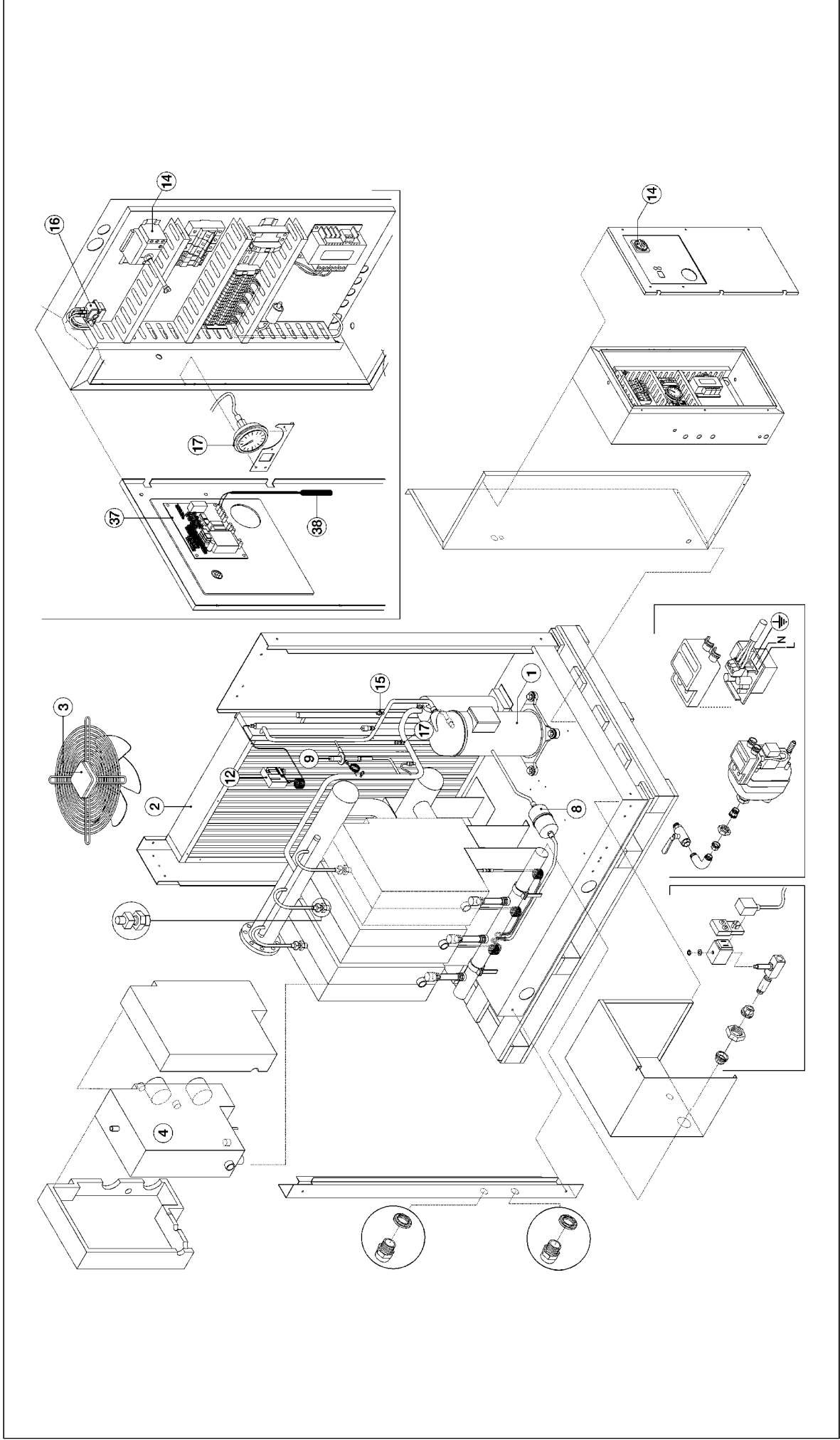
PGE110 – 1100 (Ac/Wc) 60Hz

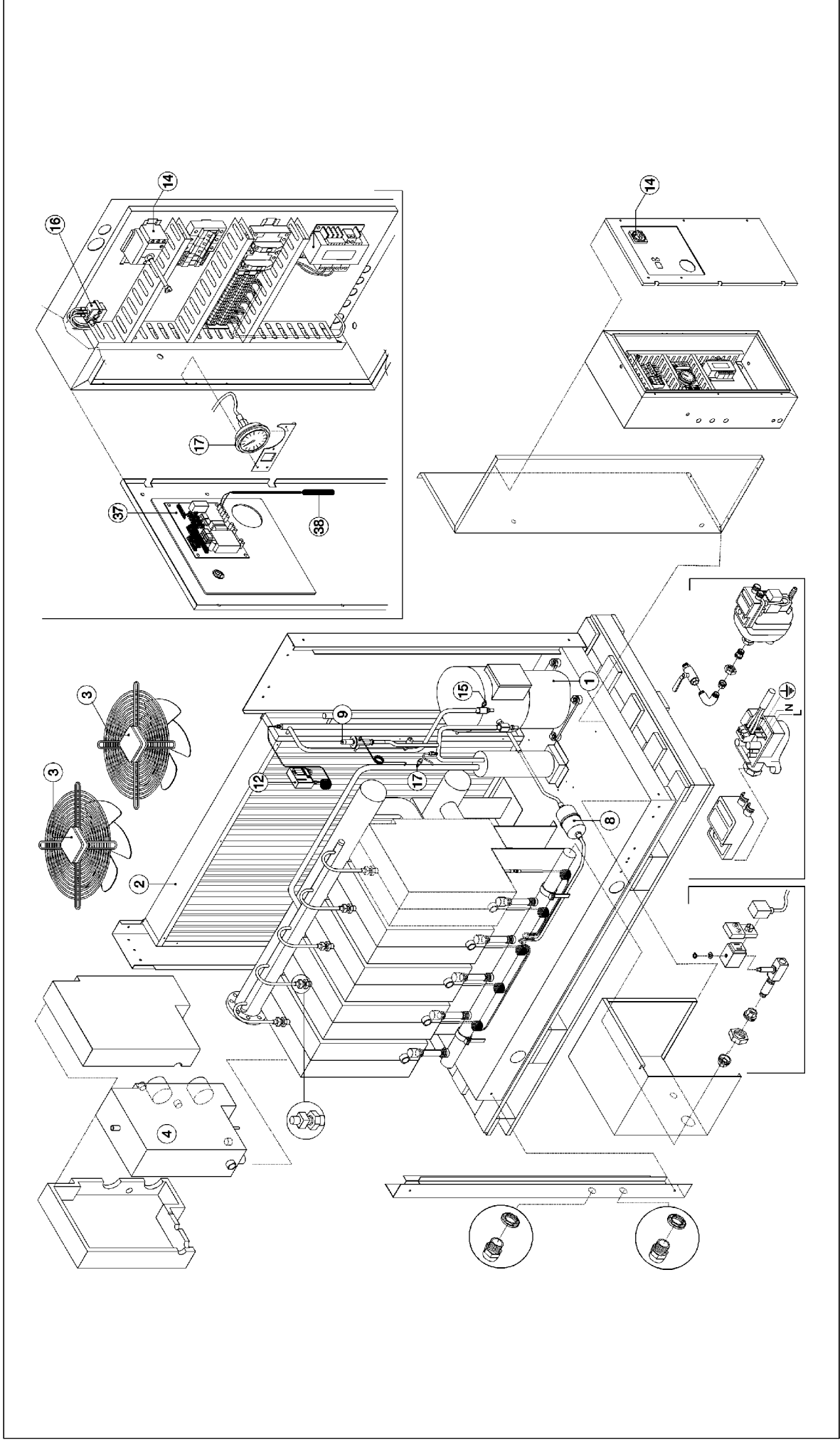
(Sheet 1 of 5)

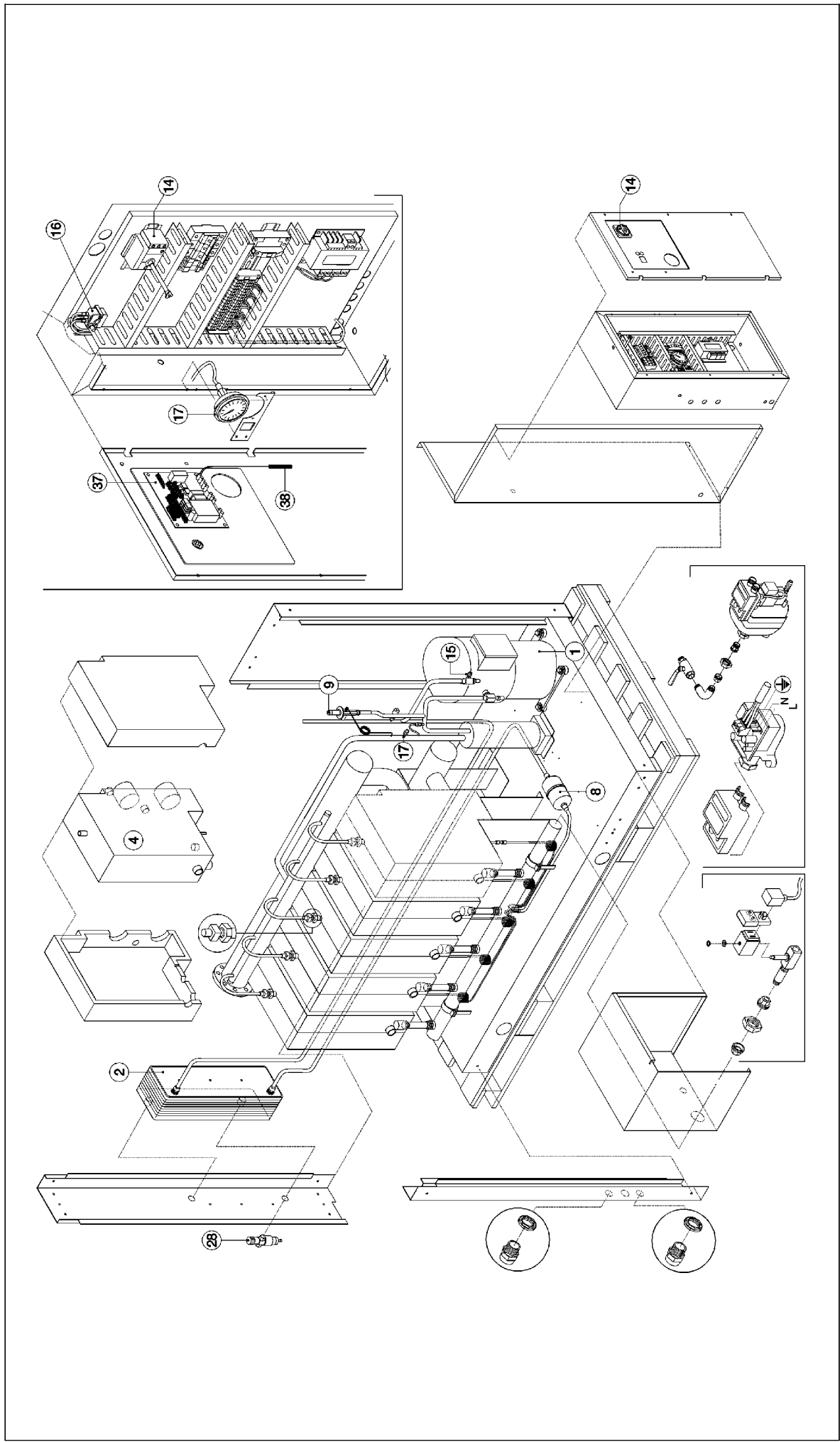
	Pos.	PGE110	PGE140	PGE180	PGE220	PGE270	PGE370	PGE450	PGE600	PGE770	PGE900	PGE1100
Compressor	230V/1Ph Ac	147160										
	230V/3Ph Ac/Wc	147157	147159	147382								
	460V/3Ph Ac/Wc	147177	147173	147183	147261	147262				147176	147263	
Refrigerant condenser	Ac	114706		114707	114732	114711					114712	114716
	Wc			186101	186103						186106	
Fan motor	230V/1Ph Ac	381762										
	230V/3Ph Ac		381754	381795								
	460V/3Ph Ac							381755				
Evaporator / Separator / Air-air heat-exchanger	Ac/Wc	473503	473504	473505	473503	473504	473505	473504			473505	
Refrigerant filter	Ac/Wc		206226					206221				
Hot gas valve	Ac/Wc		378607			378610				378602		378709
Fan pressure switch	Ac					354196						
Main disconnect switch	230V/1Ph Ac	256418										
	230V/3Ph Ac/Wc		256416		256418							
	460V/3Ph Ac/Wc				256418	256418					256421	
High pressure switch	Ac/Wc					354053						
High temperature thermostat	Ac/Wc					354242						
Low pressure manometer	Ac/Wc					354037						
Water pressostatic valve	Wc				378202		378203				378205	
Control panel	Ac/Wc						275688					
Dew point temperature sensor (6m – CAREL)	Ac/Wc						275895					
Dew point temperature sensor (4m – SGE)	Ac/Wc						275266					
Condensate drains		Drain maintenance should be performed every 12 months. For further information please see the Condensate drains Section.										

Individual spare parts







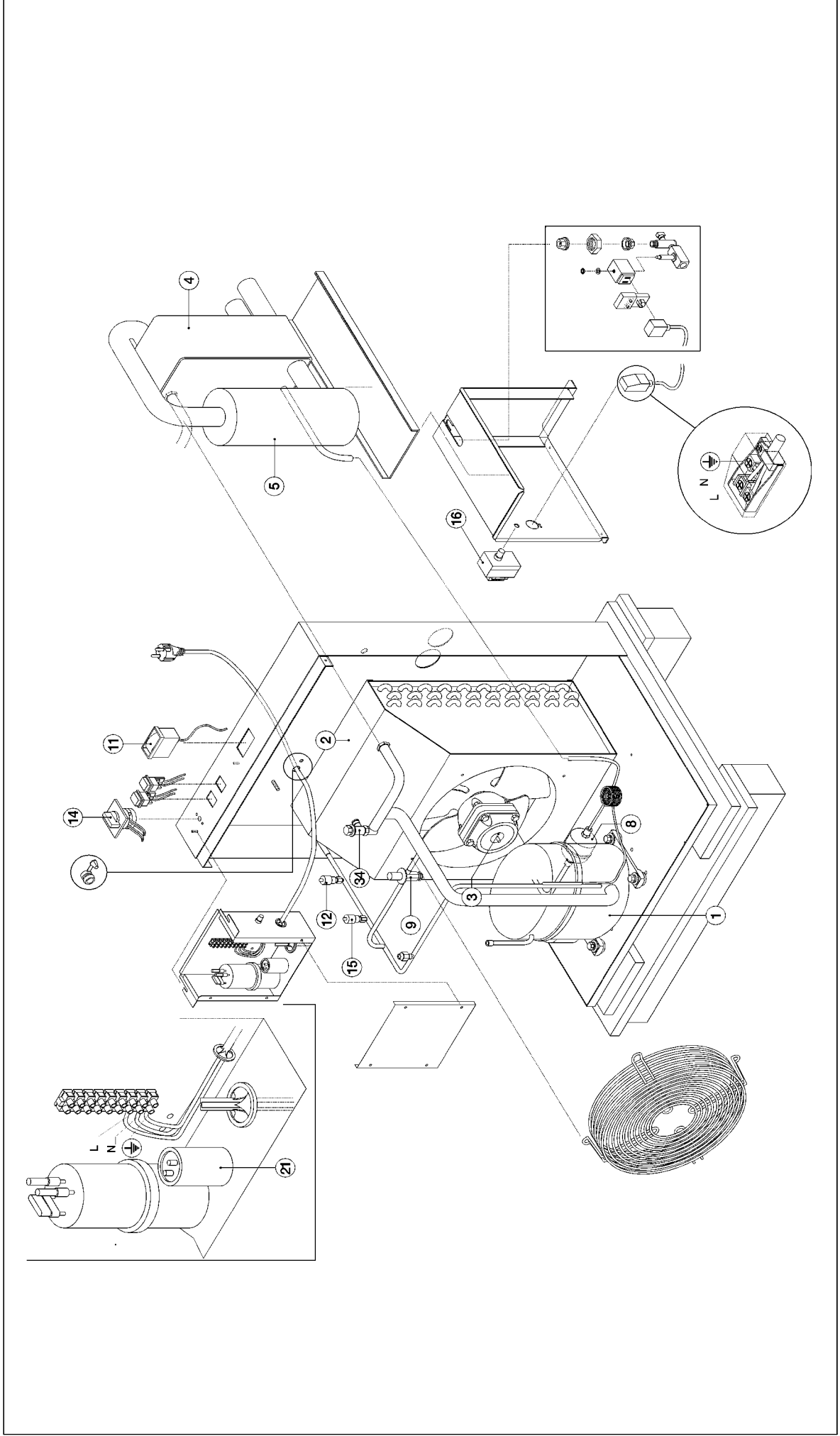


PHP030 – 090 60Hz

(Sheet 1 of 2)

	Pos.	PHP030	PHP045	PHP065	PHP090
3 year preventive maintenance kits	115V/1Ph	473157	473158	-	-
	230V/1Ph				
Compressor kits	115V/1Ph	473160			
	230V/1Ph	473161		473167	
Fan kits		473186			
			473187		
Hot gas valve kits		473136		473137	
Refrigerant condenser		114736		114791	
Evaporator / Separator / Air-air heat-exchanger		512010		512011	
Separator		339026		339027	
Refrigerant filter			206219		
Dewpoint indicator			354317		
Fan pressure switch			354055		
Main disconnect switch			255041		
High pressure switch			354053		
High temperature thermostat			354242		
Fan capacitor	115V/1Ph	254344	254345	-	-
	230V/1Ph				
Safety valve			378388		
Condensate drains	Drain maintenance should be performed every 12 months. For further information please see the Condensate drains Section.				

Individual spare parts



PHP120 – 630 (Ac/Wc) 60Hz

(Sheet 1 of 5)

	Pos.	PHP120	PHP160	PHP200	PHP250	PHP290	PHP380	PHP460	PHP630
3 year preventive maintenance kits	Ac	(12) (15) (16) (31)			473159				
	Wc	(15) (16)	-				473192		
Compressor kits	230V/1Ph Ac/Wc	473171				-			
	230V/3Ph Ac/Wc	(1) (8) (32)	473172	473174	473176			-	
	460V/3Ph Ac/Wc		473173	473175	473177		473178	473179	
Fan kits	230V/1Ph Ac	473188				-			
	230V/3Ph Ac	(3) (31)	473189		473190			-	
	460V/3Ph Ac		473189				473191		
Hot gas valve kits	Ac/Wc		473138				473139		
Water condenser kits	Wc	(2) (8)	-		473152			473153	
Refrigerant condenser	Ac	(2)	114728	114729	114730		114731	114732	
Evaporator / Separator / Air – air heat – exchanger	Ac/Wc	(4) (5)	512012	512013	512012			512013	
	Ac/Wc	(5)	339027	339028	339027			339028	
Refrigerant filter	Ac/Wc	(8)	206221				206223		
Fan pressure switch	Ac	(12)			354055				
Main disconnect switch	Ac/Wc	(14)	256416				256418		
High pressure switch	Ac	(15)			354052				
	Wc		-				354053		
High temperature thermostat	Ac/Wc	(16)			354242				
Low pressure manometer	Ac/Wc	(17)			354037				
Water pressostatic valve	Wc	(28)	-			378202		378203	

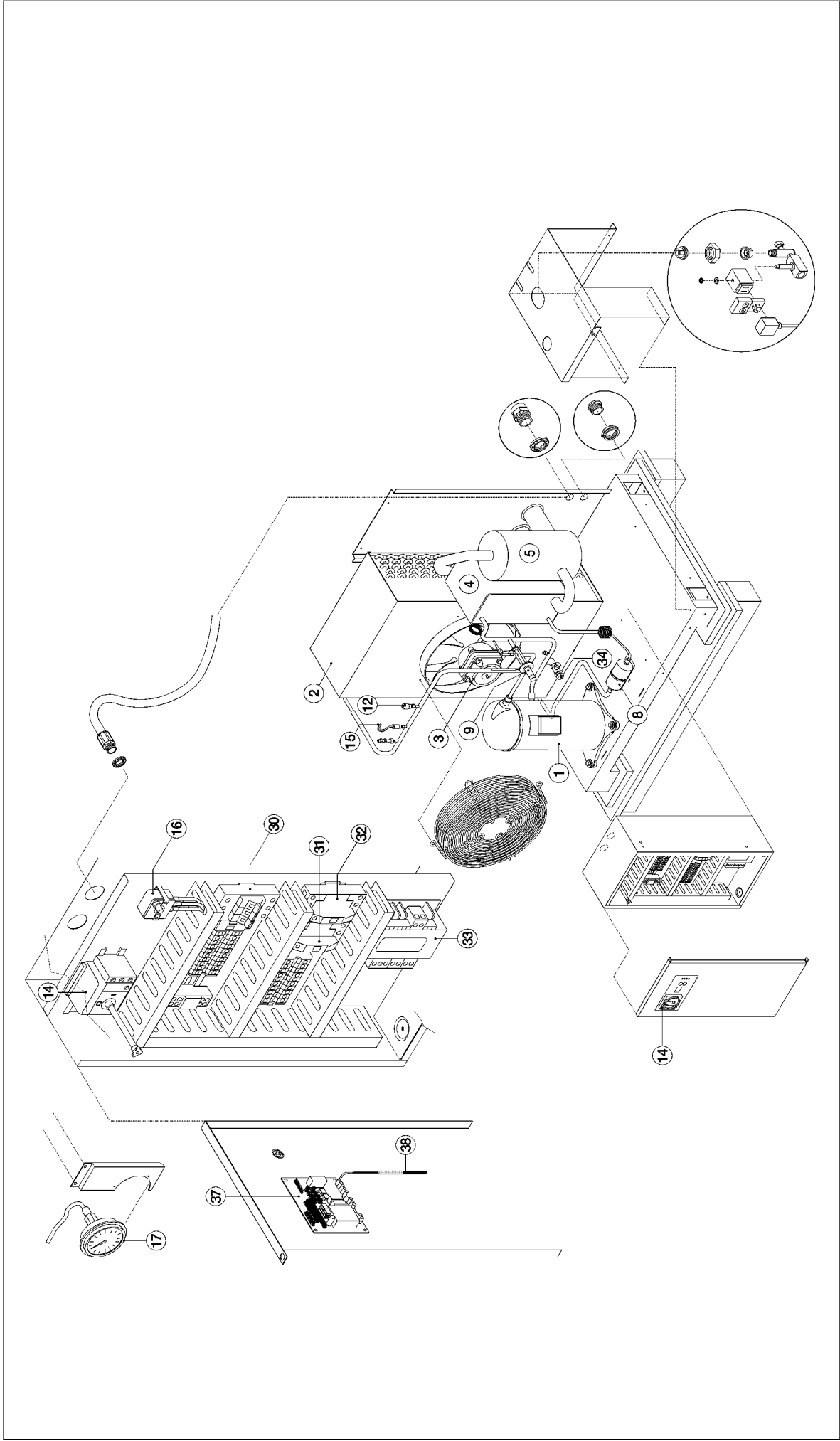
Individual spare parts

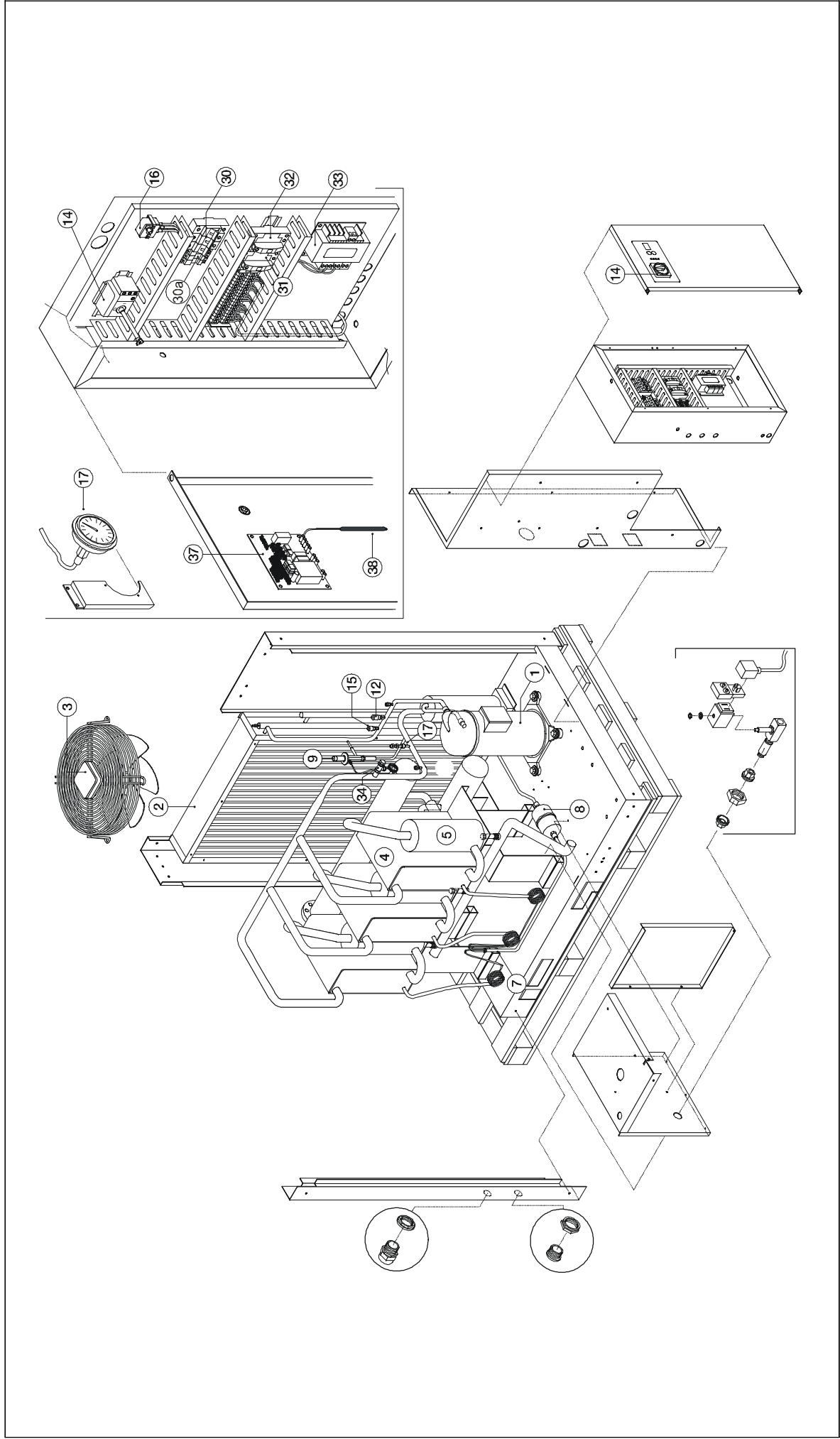
PHP120 – 630 (Ac/Wc) 60Hz

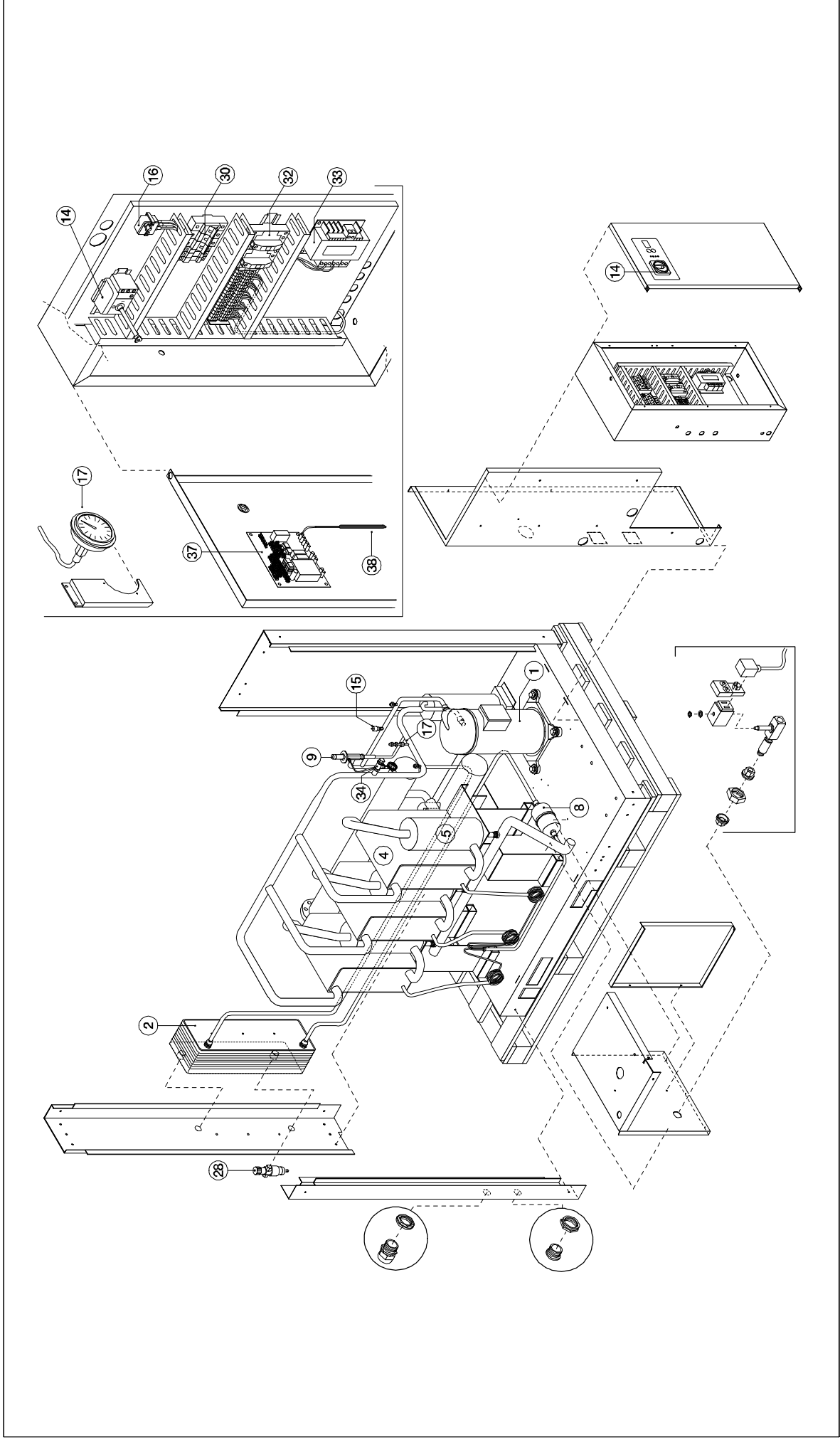
(Sheet 2 of 5)

	Pos.	PHP120	PHP160	PHP200	PHP250	PHP290	PHP380	PHP460	PHP630
Automatic switch	(30)	230V/3Ph Ac/Wc	256217		256192			--	
		460V/3Ph Ac/Wc	256218			256192			
		460V/3Ph Ac	--				255036		
Fan contactor	(31)	230V/1Ph Ac	256360			--			
		230V/3Ph Ac			256066				
		460V/3Ph Ac							
Compressor contactor	(32)	230V/1Ph Ac/Wc	256115			--			
		230V/3Ph Ac/Wc		256071		256115		--	
		460V/3Ph Ac/Wc		256066				256115	
Auxiliary transformer	(33)				255896				
Safety valve	(34)				378388				
Control panel	(37)				275688				
Dew point temperature sensor (3m – CAREL)	(38)				275894				
Dew point temperature sensor (4m – SGE)					275266				
Condensate drains		Drain maintenance should be performed every 12 months. For further information please see the Condensate drains Section.							

Individual spare parts





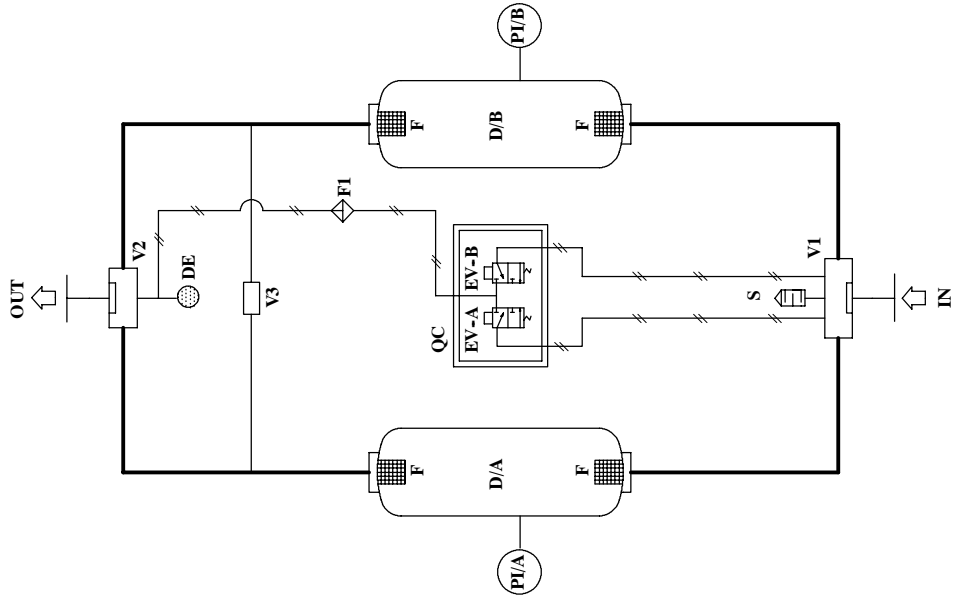


HNS001--007 / HNM010--033

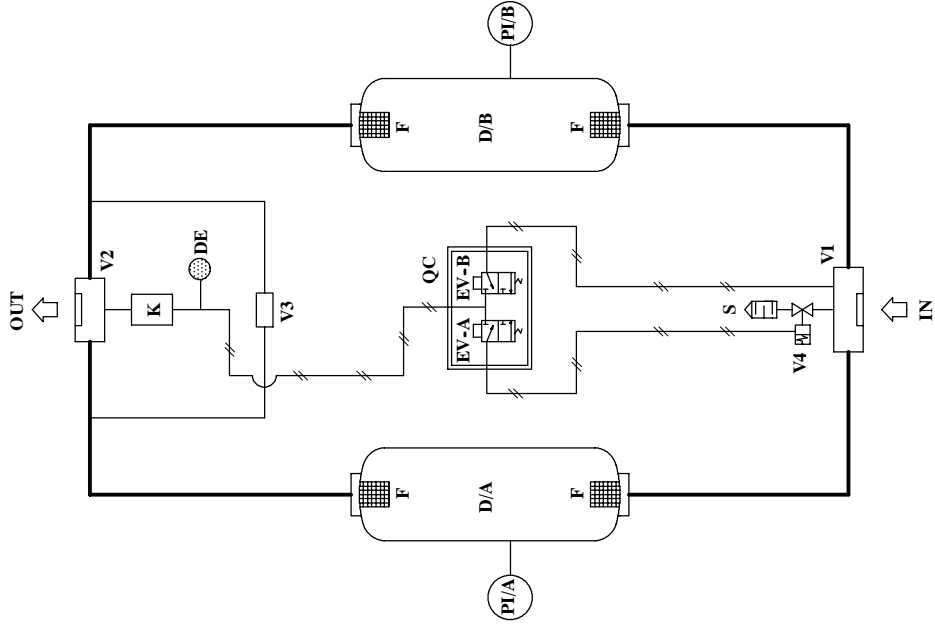
(Sheet 1 of 2)

	Pos.	HNS001	HNS002	HNS003	HNS005	HNS007	HNM010	HNM017	HNM023	HNM033
Kits	F - F1	176050								
	F - K			-			176051	176052	176053	176054
	S			291220			291263		291264	
	-		372901		372911		372903	372902	372904	372912
Individual spare parts	-			372930		372931	372932	372933	372934	372935
	D/A - D/B	291199	291191	291192	291193	291217	291194	291195	291197	291198
	PI/A - PI/B	354006								
	EV-A - EV-B	183013								
	Air inlet valve	378971								
	V1	378080								
	Inlet valve (actuator group, obturator)	-								
	V2	378085								
	Air outlet valve	378086								
	Purge device	342110	342122	342115	342121	342126	342128	342123	342125	342124
	V3	378092								
	V4	-								
	Decompression valve	-								
	3A - 3B	378093								
DE	342119									
Efficiency indicator	275044									
Command panel	275044									
QC	275044									
Quick dischargers	-									
SR	291235									

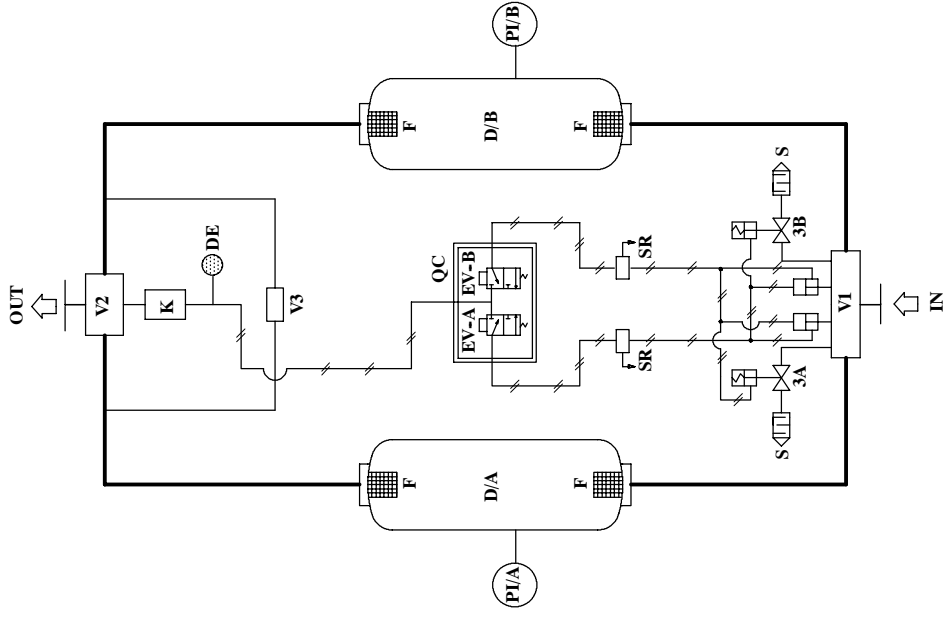
HNS001-007



HNM010-017



HNM023-033



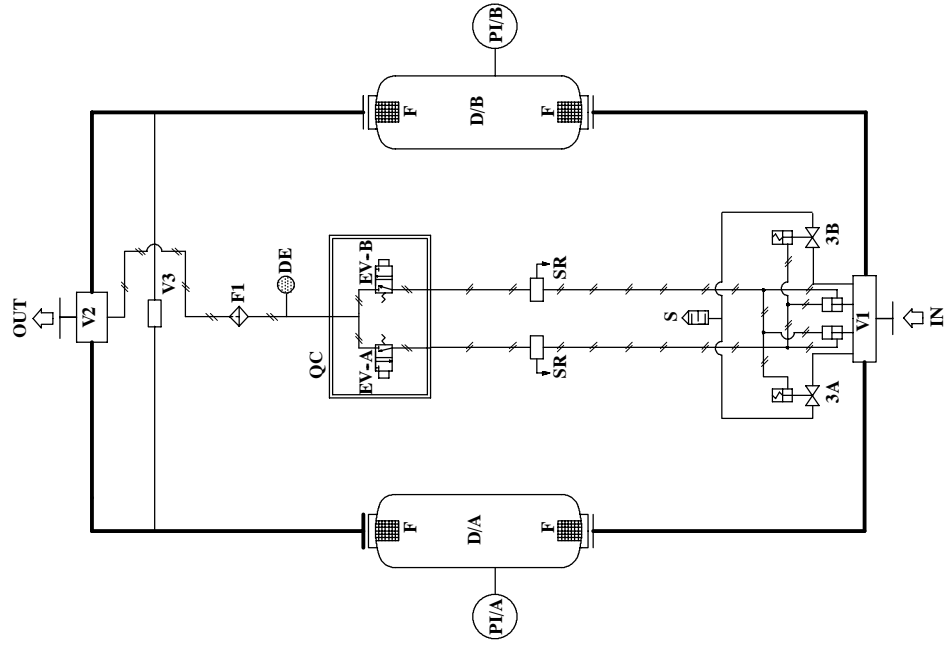
HNL059 – 250

(Sheet 1 of 2)

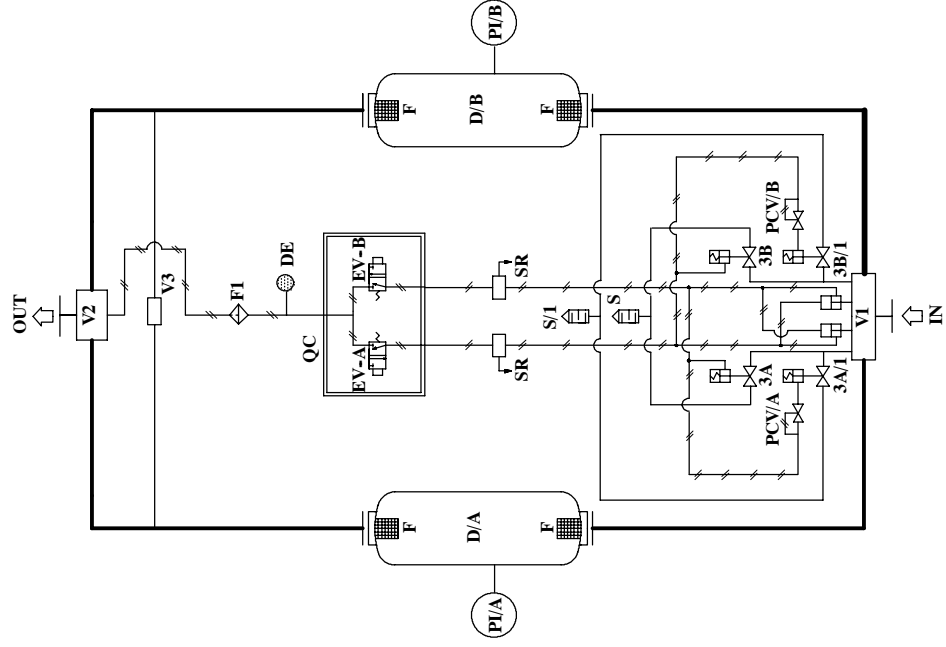
	Pos.	HNL059	HNL075	HNL100	HNL133	HNL200	HNL250
Filters kit	F – F1	176055		176056		176057	
Kits Kits	S	291265					
	S – S/1	–		291266		291267	
	–	372920		372921		372922	
	–	–		378174		–	
Spare gaskets kit for outlet 3 ways valve	–						
Spare parts "Service" LED kit	–	372936	372937	372938	372939	372940	372941
Dessicant charge	D/A – D/B	291255	291256	291257	291258	291259	291260
Manometer	PI/A – PI/B			354005			
Electrovalve	EV-A – EV-B			183012			
Inlet valve (actuator group, obturator)	V1	378171		378172		–	
Inlet pneumatic valve	2A – 2B		–			378084	
Outlet 3 ways valve	V2	378173		378184		–	
Outlet check valve	4A – 4B		–			378096	
Purge device	V3	342129	342111	342114	342127	342112	342113
Decompression valve	3A – 3B		378090			378091	
Pre – decompression valve	3A/1 – 3B/1	–			378093		
Pressure reducing device	PCV/A – PCV/B	–		342100		–	
	PCV		–			342100	
Efficiency indicator	DE			342119			
Command panel	QC			275044			
Quick dischargers	SR			291235			

Individual spare parts

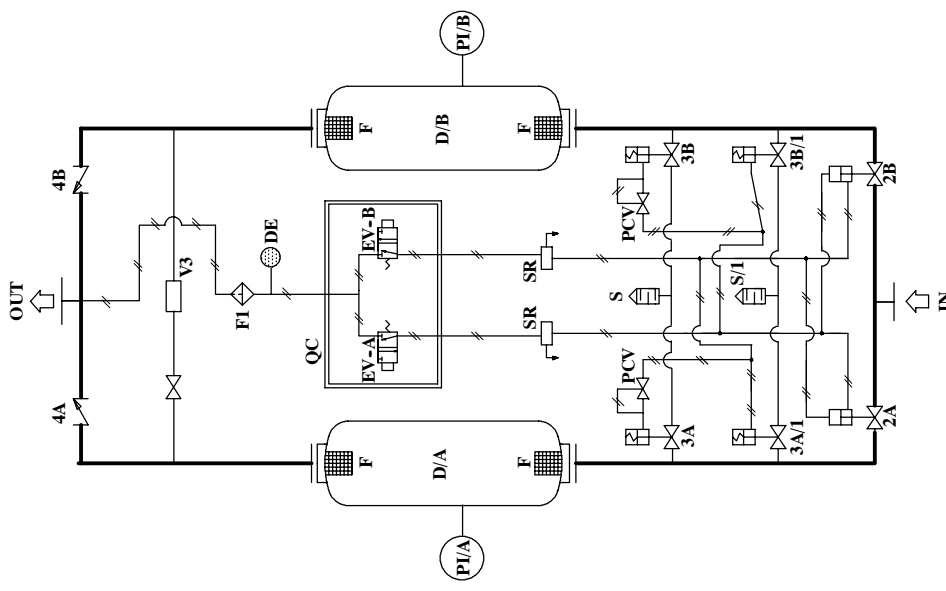
HNL059-075



HNL100-133



HNL200-250



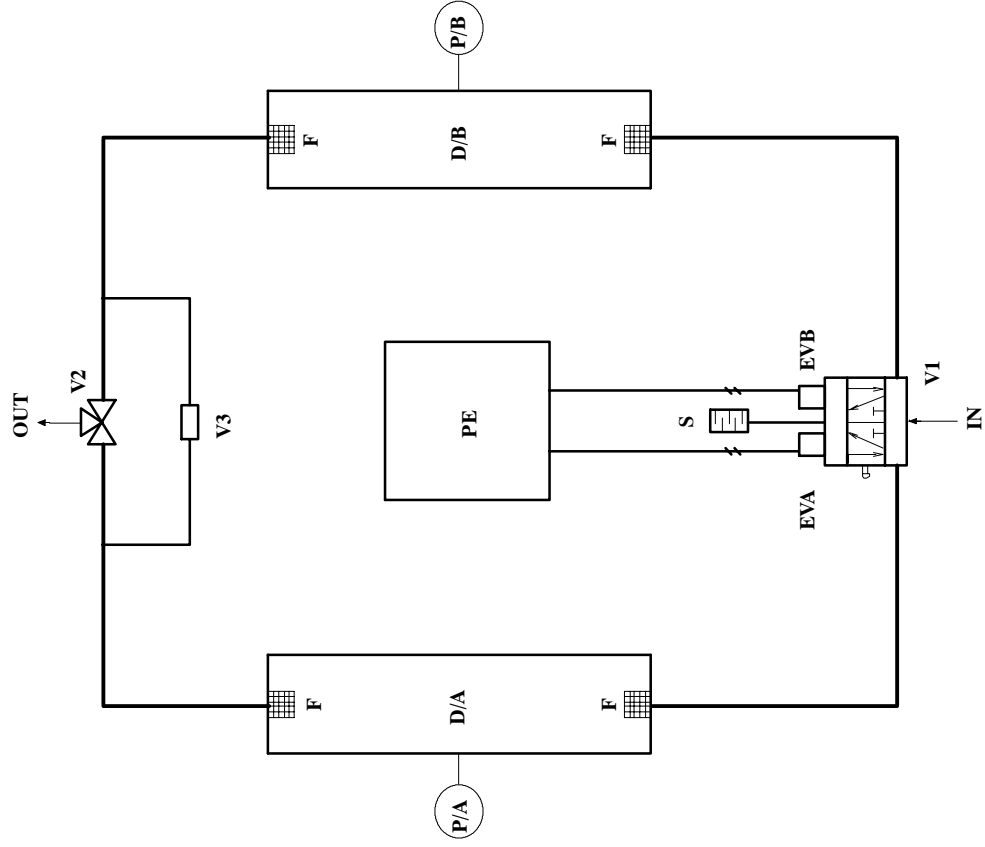
AHL001--007 / AHM010--033

(Sheet 1 of 2)

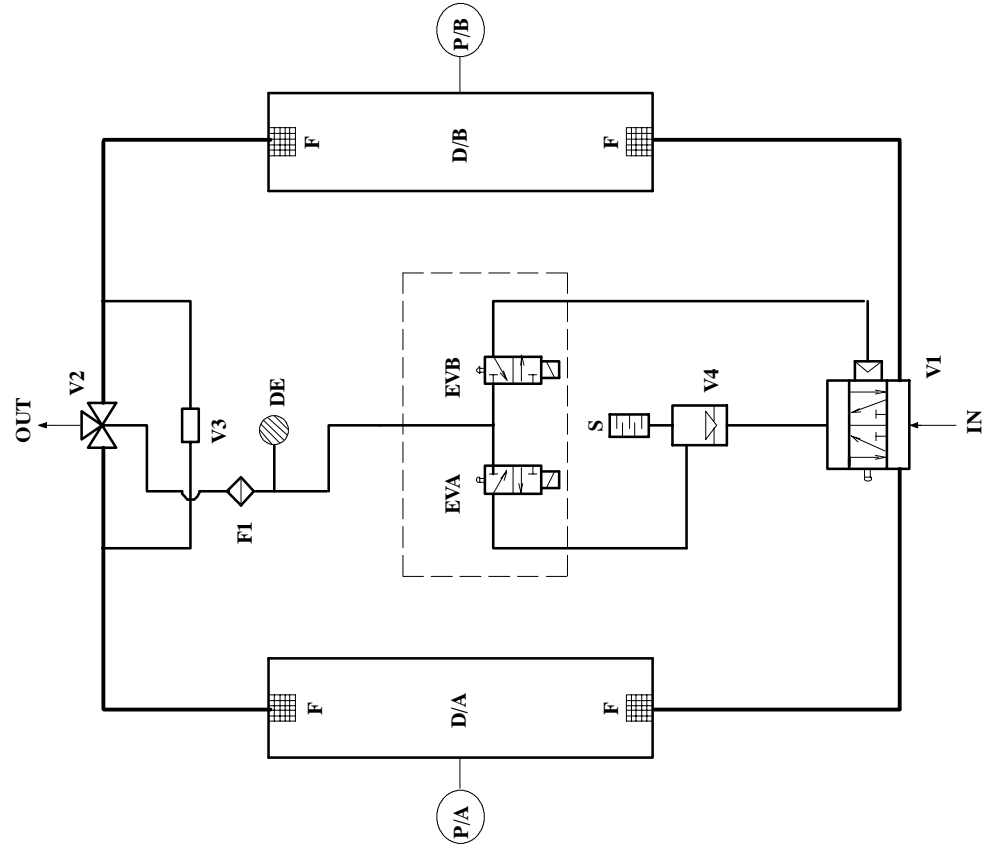
	Pos.	AHL001	AHL002	AHL003	AHL005	AHL007	AHM010	AHM017	AHM023	AHM033
Kits	F	176050								
	F -- F1						176051	176052	176053	176054
	S			291220			291222		291223	291230
	-		372901		372911		372903	372902	372904	372912
Dessicant charge	D/A -- D/B	291199	291191	291192	291193	291217	291194	291195	291197	291198
Manometer	P/A -- P/B	354006								
Electrovalve	EVA -- EVB	183001								
Air inlet valve	V1			378971			378080		378081	
Air outlet valve	V2			378972			378085		378086	
Purge device	V3	342110	342122	342115	342121	342126	342128	342123	342125	342124
Decompression valve	V4						378087		378089	
Efficiency indicator	DE							354120		
Command panel	PE	275035								
	-									275044

Individual spare parts

AHL001-007



AHM010-033

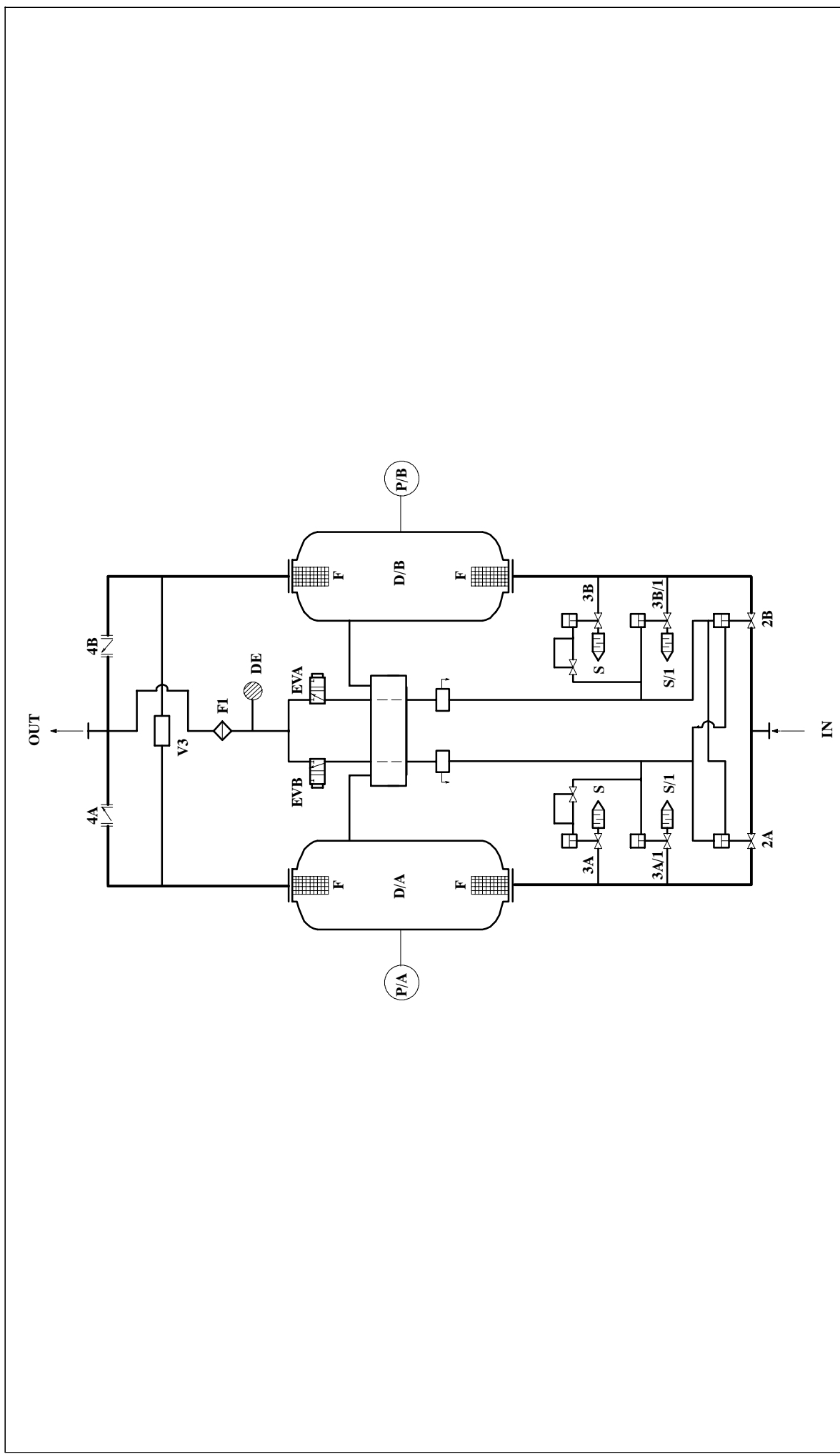


AHB059 – 250

(Sheet 1 of 2)

	Pos.	AHB059	AHB075	AHB100	AHB133	AHB200	AHB250
Filters kit	F – F1	176055		176056		176057	
Silencers kit	S – S/1	291225			291227		
Spare gaskets kit for valves	--	372905	372906	372907	372908	372909	372910
Dessicant charge	D/A – D/B	291255	291256	291257	291258	291259	291260
Manometer	P/A – P/B			354007			
Electrovalve	EVA – EVB			183012			
Inlet pneumatic valve	2A – 2B	378082		378083		378084	
Decompression valve	3A – 3B	378088		378090		378091	
Pre – decompression valve	3A/1 – 3B/1	378092			378093		
Air outlet valve	4A – 4B	378094		378095		378096	
Purge device	V3	342129	342111	342114	342127	342112	342113
Efficiency indicator	DE			342119			
Command panel	--			275044			

Individual spare parts

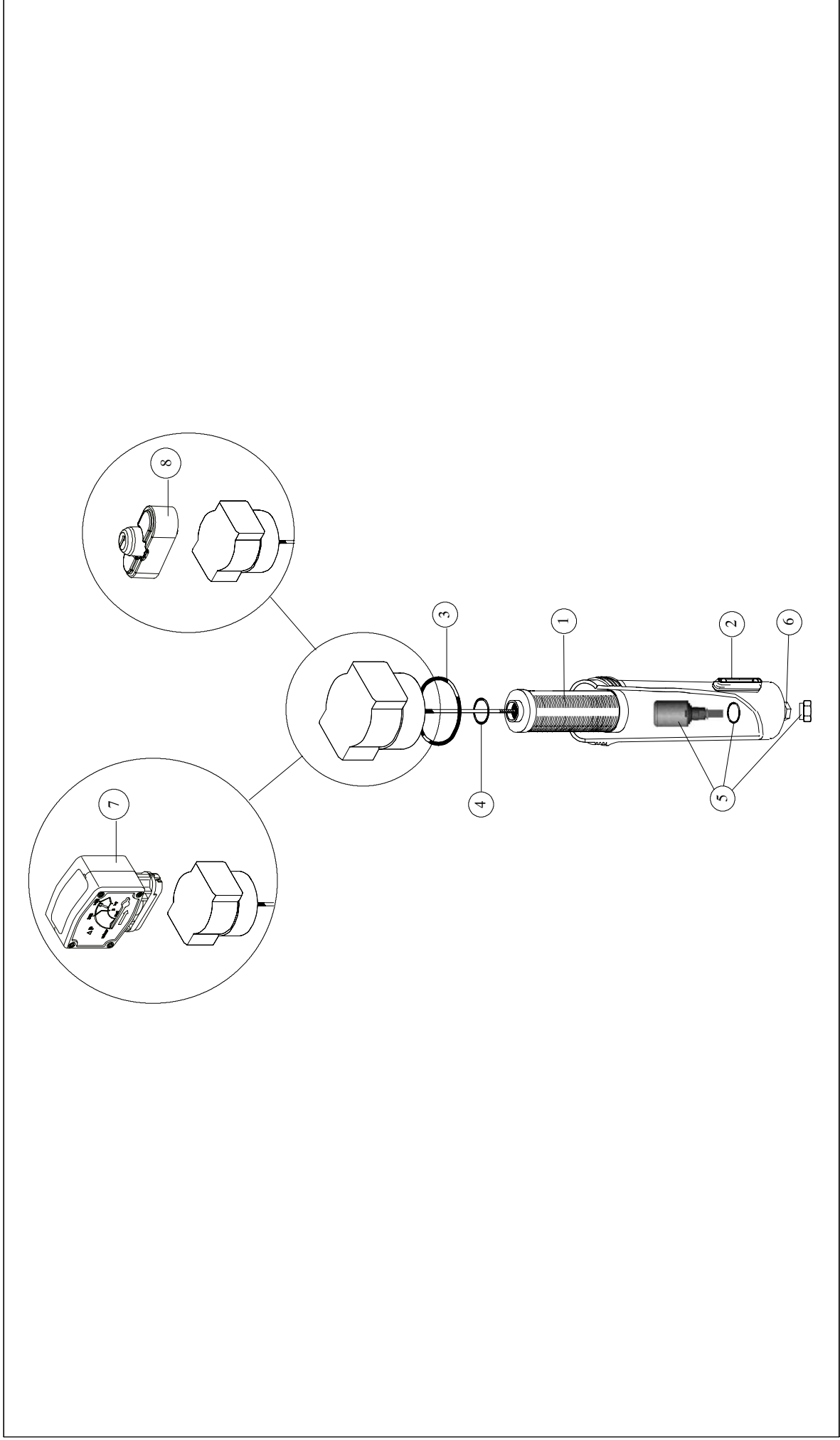


HFN005--072

(Sheet 1 of 2)

	Pos.	HFN005	HFN010	HFN018	HFN022	HFN030	HFN045	HFN062	HFN072
Kits									
Service kit	(2) (3)	473089		473090			473091		
Wall mounting kit	-	636059		636060			636061		
Filter element -- Grade Q (D)	(1) (4)	603000	603001	603003		603004	603005	603006	
Filter element -- Grade P		603020	603021	603023		603024	603025	603026	
Filter element -- Grade S		603040	603041	603043		603044	603045	603046	
Filter element -- Grade C		603060	603061	603063		603064	603065	603066	
HD12 internal drain	(5)				698066				
Manual condensate drain valve 1/2"					698399				
CDV 120 external drain (230V 17.24 barg)	(6)				698161				
CDV 120 external drain (115V 17.24 barg)					698164				
CDV 120 external drain (24V 17.24 barg)					698163				
Differential pressure gauge	(7)				636015				
Differential pressure indicator	(8)				636014				
In-series connection nipples	-	324620	324621	324622	324623	324624	324625	324626	

Individual spare parts

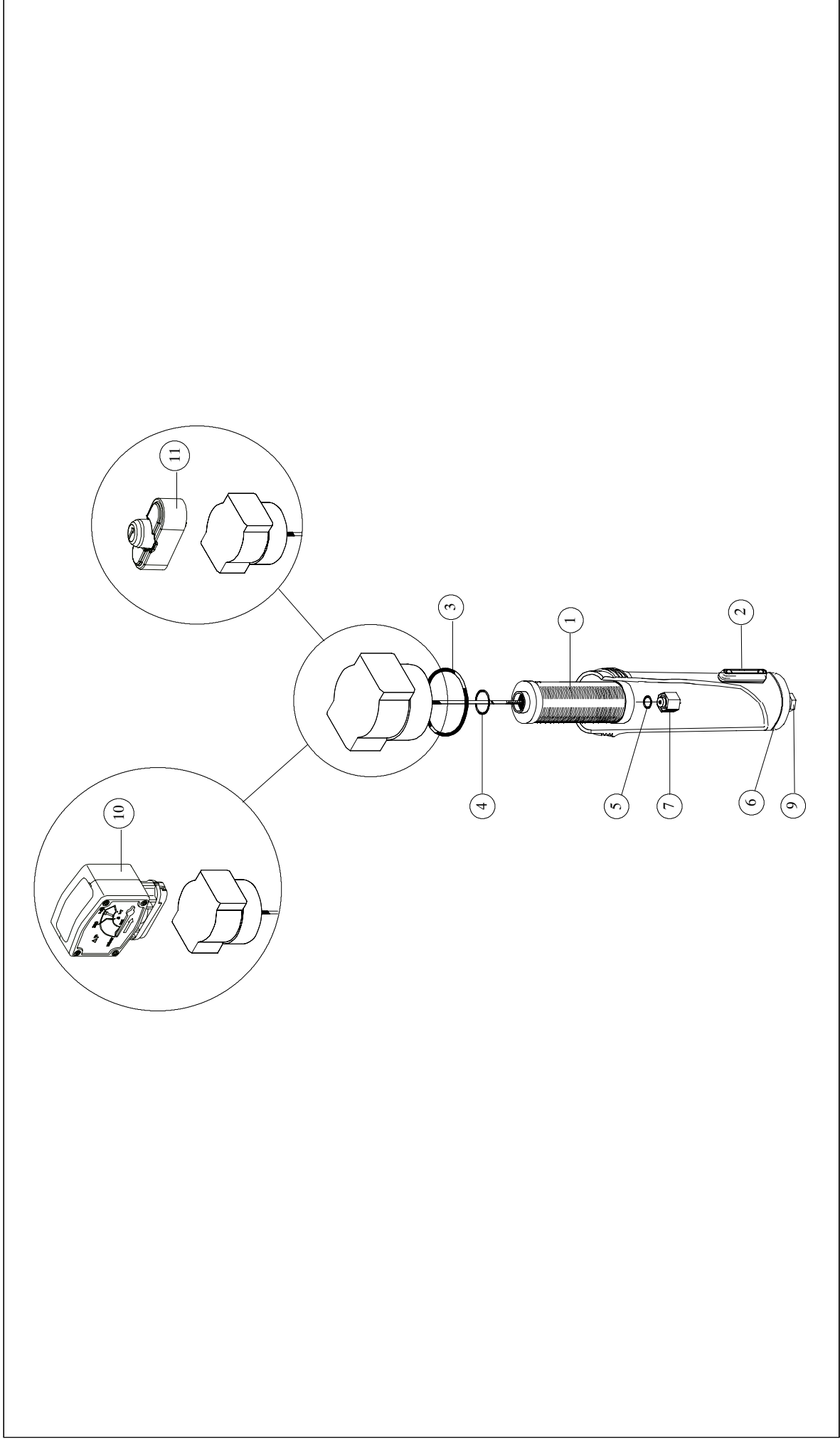


HFN122--370

(Sheet 1 of 2)

	Pos.	HFN122	HFN135	HFN175	HFN205	HFN300	HFN370
Service kit	(2) (3)		473092				
	(2) (3) (6)		-			473093	-
Wall mounting kit	-		636062			636058	
Filter element – Grade Q (D)	(1) (4) (5) (7) Spare Parts for Annual Maintenance	603007		603012	603008	603009	603010
Filter element – Grade P		603027		603032	603028	603029	603030
Filter element – Grade S		603047		603052	603048	603049	603050
Filter element – Grade C		603067		603072	603068	603069	603070
Manual condensate drain valve 1/2"					698399		
HDF120/A external drain	(9)			698445			
CDV 120 external drain (230V 17.24 barg)				698161			
CDV 120 external drain (115V 17.24 barg)				698164			
CDV 120 external drain (24V 17.24 barg)				698163			
Differential pressure gauge	(10)			636015			
Differential pressure indicator	(11)			636014			
In-series connection nipples	-	324626		324627		324628	324629

Individual spare parts

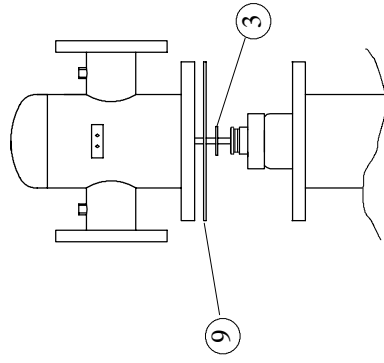


HFS380 – 4500

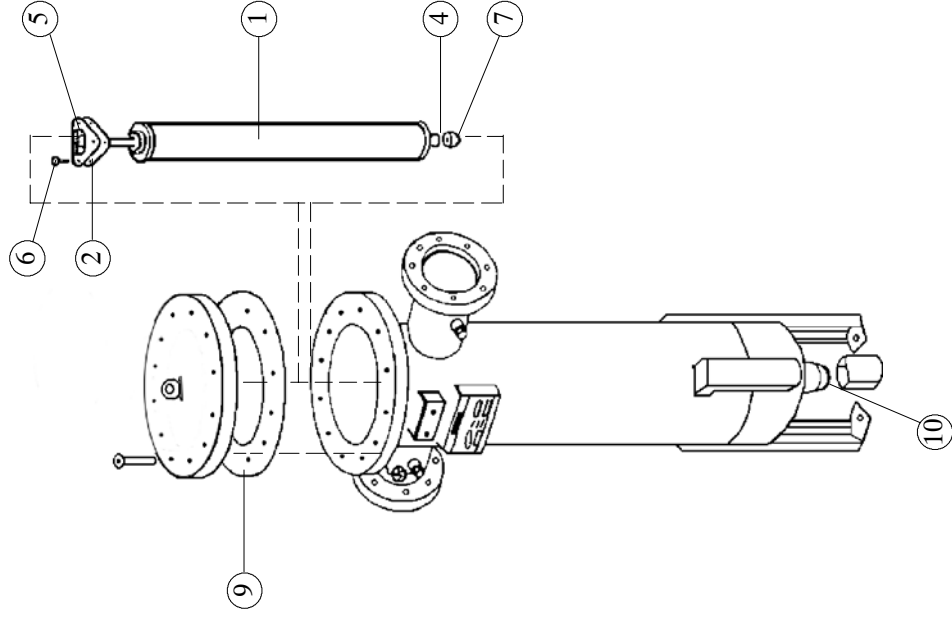
(Sheet 1 of 2)

	HFS380	HFS520	HFS610	HFS750	HFS1000	HFS1510	HFS2000	HFS2500	HFS3000	HFS4500
Kits	Service kit	473081								
		(9) (3)								
	Counterflanges kit (optional)		473082		473083	473084	473085	473086	473087	473088
			660041		660042		660043		660044	660045
	Filter element – Quantity/Model									
	Filter element – Grade Q (D)	1 x 370	3 x 175	3 x 205	3 x 250	6 x 250	8 x 250	10 x 250	12 x 250	18 x 250
		603010	603012	603008			603011			
	Filter element – Grade P	603030	603032	603028			603031			
	Filter element – Grade S	603050	603052	603048			603051			
	Filter element – Grade C	603070	603072	603068			603071			
	Adaptor for filter element						556300			
Individual spare parts	Manual condensate drain valve 1/2"	698399								
	Manual condensate drain valve 1"	-				378793				
	HDF120/A external drain	698445								
	HDF220/A external drain	-					698505			
	CDV 120 external drain (230V 17.24 barg)						698161			
	CDV 120 external drain (115V 17.24 barg)						698164			
	CDV 120 external drain (24V 17.24 barg)						698163			
	1/2" adaptor to install CDV onto filter						323651			
	Differential pressure gauge						636015			
	Adaptor to install pressure gauge						636034			
Gasket for counterflange	240150		240180		240225		240245	240270	240285	

HFS380



HFS520--4500

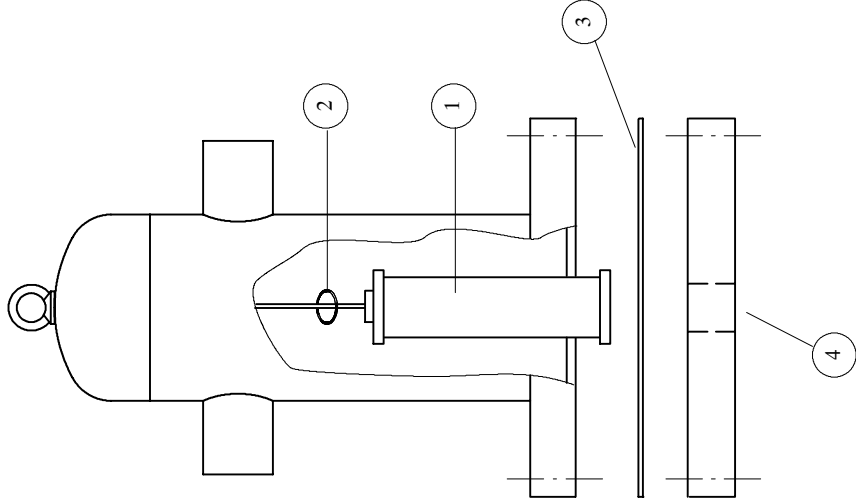


HFP031 – 780

(Sheet 1 of 2)

	Pos.	HFP031	HFP050	HFP068	HFP093	HFP140	HFP220	HFP420	HFP640	HFP780
Filter element – Grade Q (D)	① Spare Parts for Annual Maintenance	603001	603015	603003	603004	603005	603006	603007	603008	603011
Filter element – Grade P		603021	603035	603023	603024	603025	603026	603027	603028	603031
Filter element – Grade S		603041	603055	603043	603044	603045	603046	603047	603048	603051
Filter element – Grade C		603061	603075	603063	603064	603065	603066	603067	603068	603071
O – ring	②	241711		241715		241717				
Gasket	③	240135		240155		240180				
HDF510/A external drain 51 barg	④	698550								

Individual spare parts



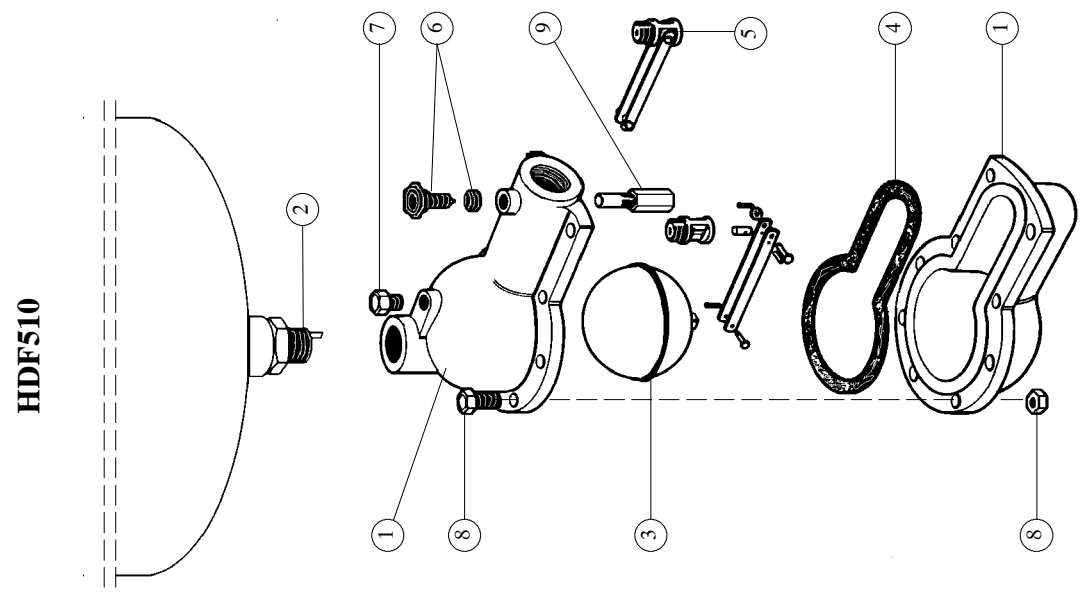
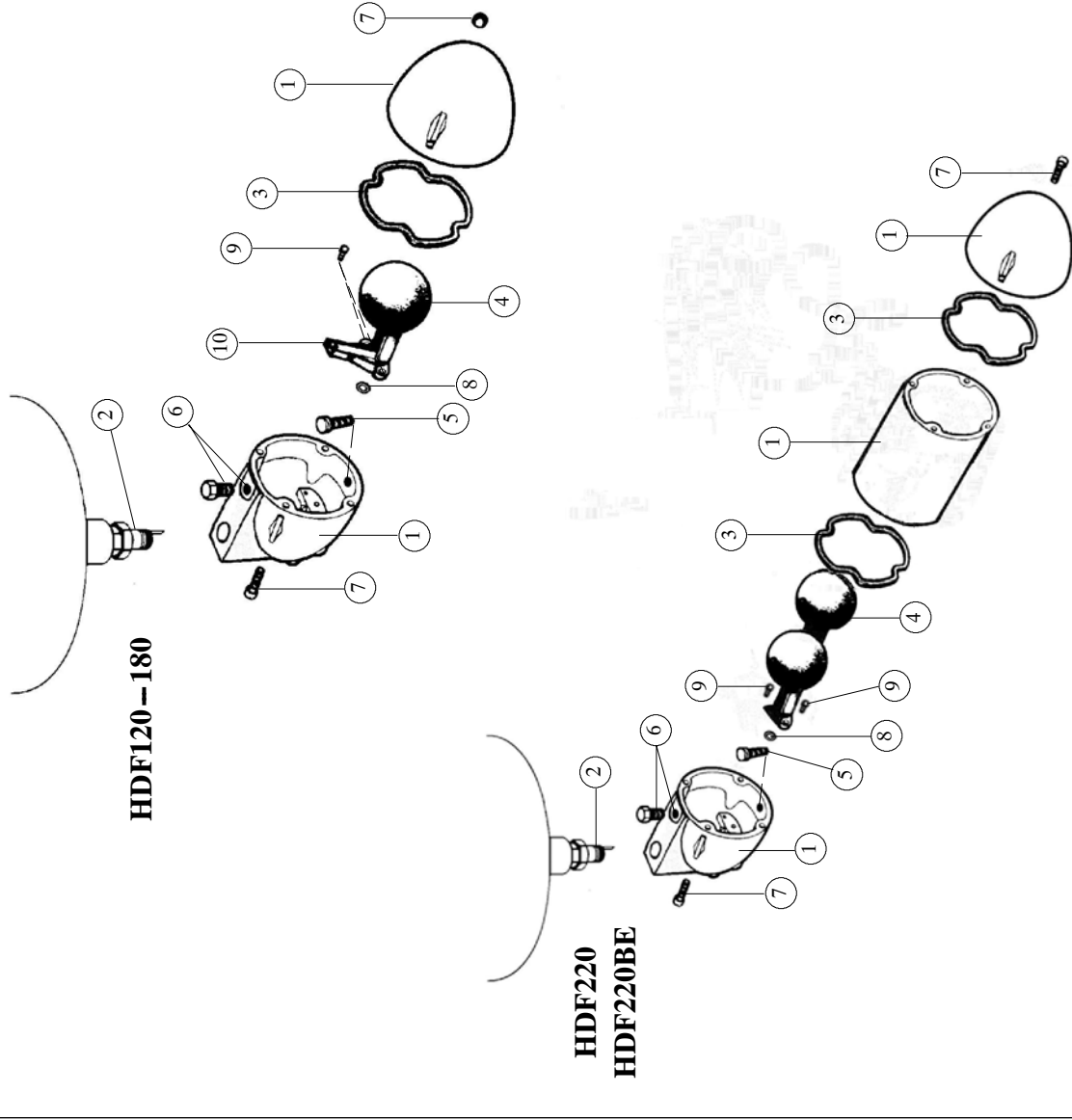
HDF120 / HDF180 / HDF220 / HDF510 / HDF220BE

(Sheet 1 of 2)

	Pos.	HDF120	HDF120/A	HDF120/NPT-A	HDF180	HDF180-A	HDF180/NPT-A
Complete Drain	(1)	698446	698445	698448	698452	698451	698454
Connection nipple – BSPT	(2)	–	324543		–	324559	
Connection nipple – NPT		–	324544		–	324560	
Annual maintenance service kits	(3) (4) (5) (6) (7) (8) (9) (10)			473377			

	Pos.	HDF220	HDF220/A	HDF220/NPT-A	HDF510	HDF510/A	HDF510/NPT-A
Complete Drain	(1)	698506	698505	698508	–	–	–
Connection nipple – BSPT	(2)	–	324559		–	324553	
Connection nipple – NPT		–	324560		–	324555	
Annual maintenance service kits	(3) (4) (5) (6) (7) (8) (9)		473376			473378	

	Pos.	HDF220BE	HDF220BE-A
Complete Drain	(1)	698504	698503
Connection nipple – BSPT	(2)	–	324559
Annual maintenance service kits	(3) (4) (5) (6) (7) (8) (9)		473347



Drain Bowl / HDI2 / Manual Drains

Drain Bowl	Drain Bowl	698098
Internal drain	Automatic condensate drain HDI2	698066
Manual drains	Manual drain 1/2"	698399
	Manual drain 1"	378793

CDV120 PF

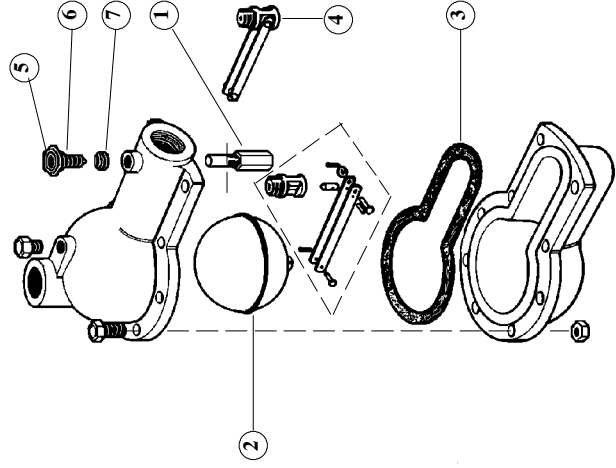
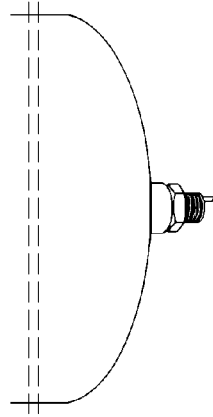
Complete Drain	CDV120 PF (24V 50/60Hz – 17.24 barg)	698163	CDV120 PF (115V 50/60Hz – 17.24 barg)	698164	CDV120 PF (230V 50/60Hz – 17.24 barg)	698161	CDV120 PF (115V 50/60Hz – 50 barg)	698169	CDV120 PF (230V 50/60Hz – 50 barg)
	Electrovalve body / coil	473382	473383	473384	473385	473386	473386	473386	473386
Kits	Timer	255601							

SAC1 / SAC100 / SAC120

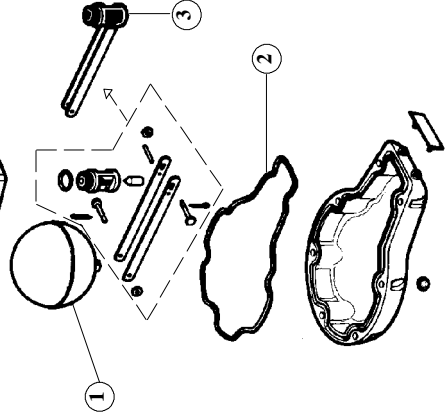
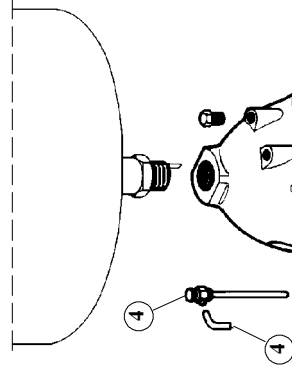
Pos.	SAC1/S 51-A	SAC1/SS 51-A	SAC1/SS-B 51-A	SAC100	SAC120
(1) (2) (3) (4) (5) (6) (7)	473371		473372	-	-
(1) (2) (3)	-	-	-	on request	-
(1) (2) (3) (4) (5) (6) (7) (8) (9)	-	-	-	-	473373

Service kit

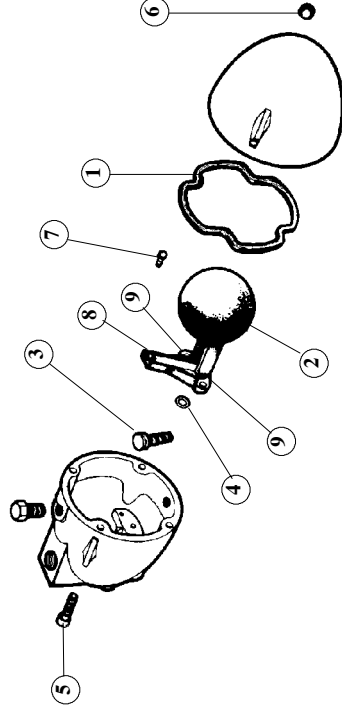
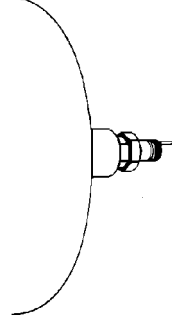
SAC1



SAC100



SAC120





Parker Hiross S.p.A.
Customer Service Centre
Strada Zona Industriale, 4
35020 S. Angelo di Piove (PD) Italy
tel. +39 049 971 2111
fax +39 049 970 1911
e-mail customer.service.hiross@parker.com
website www.dh-hiross.com