

OIL-X IP50 ADVANTAGE

Intermediate Pressure Filters



The removal of impurities within a compressed air system is vitally important in order to prevent contamination of downstream processes equipment and products.

Parker domnick hunter OIL-X IP50 ADVANTAGE intermediate pressure filters combine the new energy efficient OIL-X IP50 ADVANTAGE filter elements with specially designed housings to provide high efficiency filtration for applications up to 50 barg (725 psig).

Available in various filtration grades and connection sizes, they provide a level of protection tailored to your application.

Typical Applications

- P.E.T. bottling
- Air blast circuit breakers
- Shipborne air distribution systems
- Engine starting
- Pressure testing of pipelines



Benefits:

- Meets or exceeds the requirements for delivered air quality shown in all editions of ISO8573-1, the international standard for compressed air quality
- Coalescing filters fully tested in accordance with ISO12500-1
- Performance independently validated by Lloyds Register
- Elimination of oil, water and dirt - Available in six filtration grades
- Ideally suited for Food / Beverage / Pharmaceutical / P.E.T. applications
 - FDA Title 21 compliance
 - EC1935 - 2004 Exempt
- Trouble free, high performance - quality OIL-Xplus ADVANTAGE element backed with a 1 year performance guarantee
- 10 years guarantee on filter housing
- Ease of installation - Compact housing design
- Port options - BSPP / NPT - Weld Flange kits also available

Filtration Grades

| Filtration Grade | Filter Type | Particle removal (inc water & oil aerosols) | Max Remaining Oil Content at 21°C (70°F) | Filtration Efficiency | Change Element Every | Precede with Filtration Grade |
|------------------|--------------------|---|--|-----------------------|--------------------------------------|-------------------------------|
| WS | Bulk Liquid | N/A | N/A | >90% | N/A | N/A |
| AO | Coalescing | Down to 1 micron | 0.6 mg/m ³ 0.5 ppm(w) | 99.925% | 12 months | WS (for bulk liquid) |
| AA | Coalescing | Down to 0.01 micron | 0.01 mg/m ³ 0.01 ppm(w) | 99.9999% | 12 months | AO |
| AR | Dry Particulate | Down to 1 micron | N/A | 99.925% | 12 months | N/A |
| AAR | Dry Particulate | Down to 0.01 micron | N/A | 99.9999% | 12 months | AR |
| ACS | Oil Vapour Removal | N/A | 0.003 mg/m ³ 0.003 ppm(w) | ISO8573-5 | when oil vapour or odour is detected | AA |

Technical Data

| Model/Grade | Maximum Operating Pressure | | Minimum Operating Temperature | | Maximum Operating Temperature | | Initial 'Dry' Differential Pressure | | Initial 'Wet' Differential Pressure | | | |
|-------------|----------------------------|-------|-------------------------------|----|-------------------------------|-----|-------------------------------------|-----|-------------------------------------|-----|-----|--|
| | bar g | psi g | °C | °F | °C | °F | m bar | psi | m bar | psi | | |
| IP50 - WS | 50 | 725 | 2.0 | 35 | 100 | 212 | N/A | | 70 | 1.0 | | |
| IP50 - AO | | | | | | | 140 | 1.5 | 200 | 3.0 | | |
| IP50 - AA | | | | | | | 70 | 1.0 | N/A | | | |
| IP50 - ACS | | | | | 100 | 212 | 30 | 86 | 70 | 1.0 | N/A | |
| IP50 - AR | | | | | | | 100 | 1.5 | N/A | | | |
| IP50 - AAR | | | | | | | 100 | 1.5 | N/A | | | |

Recommended Filter Element change:- 12 months or 6000 hours

*Not applicable to Grade ACS elements. Grade ACS elements should be changed after 1000 hours operation at 21°C (70°F) or before if odours can be detected.

Filter Selection

| Model | Port Connection | L/s | m ³ /min | m ³ /h | cfm | Replacement Element Code |
|--|-----------------|-----|---------------------|-------------------|------|--------------------------|
| <input type="checkbox"/> grade IP50 010A <input type="checkbox"/> <input type="checkbox"/> <input checked="" type="checkbox"/> | 1/4" | 30 | 1.8 | 108 | 64 | K009 (Grade) |
| <input type="checkbox"/> grade IP50 020B <input type="checkbox"/> <input type="checkbox"/> <input checked="" type="checkbox"/> | 3/8" | 45 | 2.7 | 162 | 95 | K009 (Grade) |
| <input type="checkbox"/> grade IP50 030C <input type="checkbox"/> <input type="checkbox"/> <input checked="" type="checkbox"/> | 1/2" | 95 | 5.7 | 342 | 201 | K030 (Grade) |
| <input type="checkbox"/> grade IP50 040D <input type="checkbox"/> <input type="checkbox"/> <input checked="" type="checkbox"/> | 3/4" | 145 | 8.7 | 522 | 307 | K030 (Grade) |
| <input type="checkbox"/> grade IP50 050E <input type="checkbox"/> <input type="checkbox"/> <input checked="" type="checkbox"/> | 1" | 285 | 17.1 | 1026 | 604 | K145 (Grade) |
| <input type="checkbox"/> grade IP50 060G <input type="checkbox"/> <input type="checkbox"/> <input checked="" type="checkbox"/> | 1 1/2" | 465 | 27.9 | 1674 | 985 | K145 (Grade) |
| <input type="checkbox"/> grade IP50 070H <input type="checkbox"/> <input type="checkbox"/> <input checked="" type="checkbox"/> | 2" | 965 | 57.9 | 3473 | 2044 | K220 (Grade) |

Note:

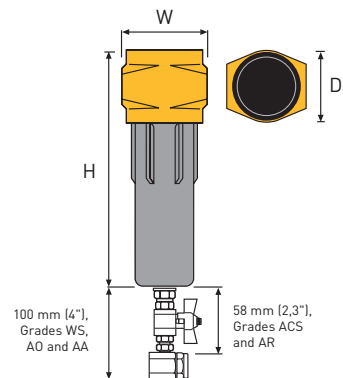
Connections option G = BSPP or N = NPT. Drains options F = Automatic / M = Manual.

To correctly select a filter model, the flow rate of the filter must be adjusted for the minimum operating pressure of the system.

- Obtain the minimum operating pressure and maximum compressed air flow rate at the inlet of the filter.
- Select the correction factor for minimum operating pressure from the CFP table (always round down e.g. for 33 bar, use 30 bar correction factor).
- Calculate the minimum filtration capacity. Minimum Filtration Capacity = Compressed Air Flow Rate x CFP.
- Using the minimum filtration capacity, select a filter model from the flow rate tables above. (filter selected must have a flow rate equal to or greater than the minimum filtration capacity).

Weights and Dimensions

| Model | Height (H) | | Width (W) | | Depth (D) | | Weight | |
|--|------------|------|-----------|-----|-----------|-----|--------|------|
| | mm | ins | mm | ins | mm | ins | kg | lbs |
| <input type="checkbox"/> grade IP50 010A <input type="checkbox"/> <input type="checkbox"/> <input checked="" type="checkbox"/> | 175 | 6.9 | 78 | 3.1 | 68 | 2.7 | 1.3 | 2.9 |
| <input type="checkbox"/> grade IP50 020B <input type="checkbox"/> <input type="checkbox"/> <input checked="" type="checkbox"/> | 175 | 6.9 | 78 | 3.1 | 68 | 2.7 | 1.3 | 2.9 |
| <input type="checkbox"/> grade IP50 030C <input type="checkbox"/> <input type="checkbox"/> <input checked="" type="checkbox"/> | 245 | 9.6 | 89 | 3.5 | 84 | 3.3 | 2.0 | 4.4 |
| <input type="checkbox"/> grade IP50 040D <input type="checkbox"/> <input type="checkbox"/> <input checked="" type="checkbox"/> | 245 | 9.6 | 89 | 3.5 | 84 | 3.3 | 2.0 | 4.4 |
| <input type="checkbox"/> grade IP50 050E <input type="checkbox"/> <input type="checkbox"/> <input checked="" type="checkbox"/> | 423 | 16.6 | 122 | 4.8 | 116 | 4.6 | 5.0 | 11.0 |
| <input type="checkbox"/> grade IP50 060G <input type="checkbox"/> <input type="checkbox"/> <input checked="" type="checkbox"/> | 423 | 16.6 | 122 | 4.8 | 116 | 4.6 | 5.0 | 11.0 |
| <input type="checkbox"/> grade IP50 070H <input type="checkbox"/> <input type="checkbox"/> <input checked="" type="checkbox"/> | 480 | 18.9 | 170 | 6.7 | 162 | 6.4 | 10.0 | 22.0 |



©2015 Parker Hannifin Corporation. All rights reserved.

PISOILXADVANIP50-03-EN

EMEA Product Information Centre

Free phone: 00 800 27 27 5374

(from AT, BE, CH, CZ, DE, DK, EE, ES, FI, FR, IE, IL, IS, IT, LU, MT, NL, NO, PL, PT, RU, SE, SK, UK, ZA)

US Product Information Centre

Toll-free number: 1-800-27 27 537

www.parker.com/gsf



Your local authorized Parker distributor