

*Spare parts*  
**DRYER**  
*Antares*  
*(50Hz)*

*(Date 01.08.16)*



# Index

GENERAL TERMS OF SALES.....	2
EXPLODED DRAWING ATT025.....	5
SPARE PARTS ATT025 .....	8
EXPLODED DRAWING ATT040.....	10
SPARE PARTS ATT040 .....	13
EXPLODED DRAWING ATT060.....	15
SPARE PARTS ATT060 .....	18
EXPLODED DRAWING ATT090.....	20
SPARE PARTS ATT090 .....	23
EXPLODED DRAWING ATT140.....	25
SPARE PARTS ATT140 .....	28
EXPLODED DRAWING ATT260-340 .....	30
SPARE PARTS ATT260 .....	33
SPARE PARTS ATT340 .....	36

**Introduction**

The following shall be regarded as the general terms of sale between Parker Hiross (Seller) and Purchaser. None of these terms may be added to, modified, superseded or otherwise altered by Purchaser, unless specifically agreed to, in writing and signed, by Seller. These terms shall, accordingly, supersede and modify any terms that may be contained in any letter or other from Purchaser. They also supersede any oral representations made by either party in connection with the transaction.

**Validity**

This "Parker Hiross Master Price List" cancels and supersedes all previous Parker Hiross Price Lists. Prices are valid starting from the date indicated in the Price List. This Price List is valid until written notice to the contrary, or the emission of a new Price List. Technical data contained in this publication is to be considered as indicative only. The manufacturer reserves the right to modify technical data at its own discretion and without prior notice.

**Quotation**

Seller has the right, at any time and even after the order, to make alterations to, or with draw (prior to order confirmation), its offers. Prices quoted shall always be regarded as indicative only.

**Acceptance of order**

Orders shall be regarded as accepted by Seller only after issuing the respective order confirmation. Seller's charges for cancelling booked and confirmed orders shall range up to 100% of the net order value, depending on completeness of the equipment and its reclamation value. Minimum accepted value for an individual order shall be Euro 200, or the equivalent in other currencies. Orders for lower values will be subject to a Euro 100 (or the equivalent in other currencies) order processing charge.

**Price**

Price shall be as stipulated in the order confirmation. All non Euro prices are nonetheless calculated from the Euro price, and then rounded to the nearest full digit. As a result there may be a minor difference between the listed and invoiced prices. In the event no price is stipulated, equipment shall be charged at Seller's prevailing Price list. Unless otherwise agreed, in writing, price shall be ex Seller's factory, with standard packing.

Seller reserves the right to modify prices at the confirmation of the order to Purchaser. If the confirmed price increase exceeds 5 (five) percentage points, Purchaser has the right to withdraw from the contract, upon written notice addressed to Seller within 2 (two) days from the date of the receipt of the communication concerning the price adjustment. Upon the expiration of such term, or with the acceptance of the goods' delivery by Purchaser, the adjustment is deemed to be accepted and binding between the parties.

The Price shall be valid for delivery as per the date agreed in the order confirmation. If Purchaser requests (in writing) any delay in shipping of the equipment, Seller will reserve the right to revise the price.

Changes to booked and confirmed orders shall be subject to a minimum net service charge corresponding to Euro 100 (or the equivalent in other currencies), to cover changes in documents. This charge may be increased, depending on order status and nature of requested modification.

**Delivery**

The delivery date shall be as indicated in the order confirmation. The delivery terms, indicated in the order confirmation, are to be considered as part of this General Terms of Sale. Acceptance of shipment by a common carrier or allocation of equipment to Purchaser shall constitute delivery. Thereupon responsibility shall pass to Purchaser, subject to Seller's right of stoppage in transit. Where a trade term has been agreed, it shall be interpreted in accordance with the INCOTERMS in force at time of contract. If no trade term is specifically agreed delivery shall be considered to be ExWorks. Unless expressly specified in the INCOTERMS, goods in transit always travel at Purchaser's risk. Purchaser will bear all costs involved in removing the goods from Seller's premises. Delivery of all or any part of the order is contingent upon Seller's ability to obtain supplies, raw materials and service through its regular sources of supply. Should Seller, temporally or permanently, be unable to deliver the products for reasons not imputable to the same such as force majeure, (e.g. earthquake, strikes, lockout, lack of means of transportation, authority ordinance, floods, etc.) it will be released from all delivery and indemnification obligations towards Purchaser for the entire duration of the period in which the impediment and its effects last. Upon the occurrence of such impediment, Seller will promptly inform Purchaser thereof. In the aforesaid cases, delays in delivery shall not give any right to Purchaser to claim for damages or to cancel the order. Delivery time shall commence from the date of the order confirmation, but not before Seller having received, from Purchaser, all necessary drawings and approvals, if any, or down payment. Partial deliveries shall not be refused by Purchaser and will be paid for at contract prices and terms. If the delay, not caused by an event of force majeure, exceeds 90 (ninety) days, Purchaser will be allowed to cancel the outstanding part of the order. Each party may terminate the purchase agreement in the event that its effects, due to events mentioned above, becomes excessively onerous and therefore the contract is no longer of interest for such party. If Seller performs the installation of goods, Purchaser will have to take care of and preserve the delivered goods, until the completion of installation. Purchaser shall pick up the purchased products at the dates agreed, unless otherwise agreed between the parties. Purchaser's requests in this regard shall be taken into consideration by Seller, provided that Purchaser has made its request at least 30 (thirty) days before the original delivery date. If Purchaser does not pick up the purchased goods at the agreed date, Seller will have the right to invoice and receive payment for any equipment not picked up. The costs of storage will be born by Purchaser.

**Reserve of property**

All goods supplied shall remain property of Seller until such time as full payment will have been received from Purchaser in settlement of all pertaining Seller's invoices. Cheques and bills of exchange issued by Purchaser will be considered as payment only after having been cashed by Seller's bank.

## Claims and complains

Purchaser shall inspect the delivered goods and notify Seller, in writing and within 8 (eight) days from the delivery date, of defects found or that may be found upon a preliminary inspection, or any other claim related to the goods. Should Purchaser fail to make such notification, the goods shall be deemed as definitely accepted and in compliance with what set forth in the contract, without being prejudicial to the possibility to report any hidden defect, assuming this is within the warranty period; in any case the notification of the defects must be communicated within 8 (eight) days from the discovery thereof. If the received goods have been damaged during transit, Purchaser will have to highlight this on the C.M.R. or on the Delivery note. Expenses related to the shipment of any eventual returns shall be borne by Purchaser. Possible objections concerning part of the goods delivered, or a single shipment of the same, shall have no effect on the rest of the order, nor on the payment of goods already received and not promptly challenged.

## Payment

Payment shall be upon those terms agreed to by Purchaser and Seller. In the event there is no agreement, payment shall be by Cash in Advance. Failure by Purchaser to effect payment at due date will result in Seller cancelling all express warranties, not with standing taking recourse to remedies provided by the law. In case of delayed payment, Purchaser will automatically be charged interest calculated pursuant to the Italian decree no. 231/2002, without the need for any notice of default. In the instance of equipment held subject to Purchaser's instructions, equipment for which Purchaser has failed to supply shipping instructions, or in any case where Seller, in its own sole discretion, determines any part of the equipment purchased by Purchaser should be held for Purchaser's account, Seller may invoice the equipment and Purchaser agrees to make payment at the maturity of the invoice so rendered. Equipment invoiced held at any location, for whatever reason, shall be at Purchaser's risk and Seller may charge for insurance and storage at prevailing rates.

## Resolution of contract

The terms of payment are fundamental elements, and any default in payments or any unilateral change constitutes the right of withdrawal for Seller to stop deliveries and consider any supply agreement as rescinded without notice, intimation or other. The same is valid for Seller in the event of changes in the economic-property conditions of Purchaser (Art. 1461 C.C.).

## Drawings and installation details

Drawings, models and instructions for the installation of equipment supplied are the exclusive property of Seller; Purchaser cannot pass these to any third party. Seller shall not warrant the correctness of drawings which have not been certified by Seller. Certified drawings shall only be available upon written request from Purchaser, and shall be charged at a price to be agreed upon. Seller reserves the right to, at any time prior to delivery of certified drawings to Purchaser, make any changes in model or design of equipment, including components thereof.

## Warranty

Seller warrants to Purchaser all equipment to be free from defects in material and workmanship for a period not exceeding 1 year from the date of installation of the equipment, but for a maximum of 18 months from the shipping date. This obligation is limited to repairing and replacing, at Seller's factory, any part found faulty during said period, with the following limitations:

- a) Warranty is effective only if equipment has been installed, commissioned and maintained in accordance with Seller's instructions (Parker Hiross User Manual) and, where necessary, connected to adequate electric, water and drain services, cleaned out correctly and placed into operation by a qualified technician. The effects of erosion, corrosion and normal wear-and-tear are specifically excluded from this warranty.
- b) Seller reserves the right to, for specific products grant warranty terms only on the condition that Commissioning has been performed by Seller's Service personnel or, failing this, Service personnel authorised by Seller beforehand. In the latter case the relevant Commissioning Report must be compiled by the authorised Service personnel and sent to Seller. Failure to adhere to this procedure will result in loss of warranty.
- c) Seller reserves the right to replace a product under warranty, and will accept no costs as to the removal and installation of the products.
- d) Seller reserves the right to change or improve the design of its products without assuming any obligation to modify any product previously manufactured.
- e) Poor maintenance or improper use will result in loss of warranty.
- f) Seller shall not assume responsibility for any labour expenses incurred by Purchaser in replacing or changing defective parts or equipment covered by this warranty.
- g) This warranty is granted to original Purchaser only and cannot be transferred, unless authorised in writing by Seller. Purchaser shall notify Seller of a defect within a maximum of 8 (eight) days from the discovery thereof, and in no case later than 8 (eight) days after expiry of the above stated warranty. Purchaser will notify fault by filling out the "Passport", as distributed by Seller.

Any claims against this warranty must be substantiated at the time the fault arises, and it will be at Seller's discretion to:

- h) Supply replacement parts ex-works Seller's factory,
  - or ii) repair parts locally, with travel/living/labour expenses at Purchaser's charge,
  - or iii) authorise Purchaser to have components repaired locally,
  - or iv) authorise Purchaser to buy replacement parts locally,
  - or v) require Purchaser to return damaged parts to Seller, prepaid, for repairs.

Seller has the right to ask for components, claimed as being faulty, to be returned to its factory, transport prepaid, for inspection, or to request Purchaser to keep these parts in stock for eventual inspection by Seller's representative. Seller is not obliged to make any guarantee payments before having had the opportunity to verify said claim in either manner described above. Any requests from Purchaser founded on the warranty clause or on asserted non-fulfilment thereof on the part of Seller or others shall not in any manner authorise Purchaser to delay or modify the agreed payment terms.

**Warranty waiver**

This is a written agreement between Seller and Purchaser, representing an alternative to the Warranty described previously. Should this agreement exist, Seller will grant Purchaser a 2% discount (included in the discount communicated by Seller to Purchaser) on the price of the products; in exchange Purchaser accepts to take over all costs which, according to the previous chapter, should be covered by Seller. QSR and LCD dryers, and eventually special products not listed in the present Master Price List, do not fall under the warranty waiver agreement, remaining with the previously described warranty. These costs include (but are not limited to):

- a) Costs arising from machine break down or malfunctioning due to faulty components (i.e. electrical defects on compressors, faulty pressure switches, defective control panels, etc.).
- b) Costs resulting from repair of isolated faults, not detected during quality controls, or any related secondary damage (i.e. incorrect wiring, leaks, etc.).

The only costs to be considered not covered by Warranty Waiver discount are the costs connected to rectifying clear defects resulting from design faults in equipment, as shown by recurring defect patterns on an international scale. In this case Seller will recognize to Purchaser the cost ExWorks of the faulty component, plus the labour cost to repair the equipment. Seller will evaluate the labour cost on a case-by-case basis.

**Liability for damage to property or other caused by goods**

Purchaser shall indemnify and hold Seller harmless for any damage caused by equipment to:

- a) any (movable or immovable) property, where damage occurs while equipment is in Purchaser's possession, or
- b) products manufactured by Purchaser, or products of which Purchaser's products form a part, or for loss or damage to any property, where damages caused by these products because of properties in the equipment.

Seller shall under no circumstances be liable for loss of production, loss of profit, or any other consequential economic loss. The above is valid both within and after the warranty period.

**Invalidity of provisions**

If any of these terms shall be held invalid, illegal or unenforceable, the validity of remaining provisions shall not in any way be affected or impaired thereby.

**Individual contracts**

For all individual contracts stipulated between Seller and Purchaser, any terms within these General Terms of Sale which are not covered in the individual contract will remain valid.

**Privilege**

Seller reserves the faculty to, in case of extended payment (even partial), make use of the right of privilege (art. 2762 C.C.). The right of privilege maintains its full validity even in the event of a change in the agreed payment conditions or concessions or extension, given that these events, under explicit agreement of Purchaser, do not constitute an extension of credit, with the present terms of sale remaining unchanged. In any case, the effects of Purchaser do not affect the credit situation and are reserved and accepted for cash convenience and without any prejudice of Seller's rights.

**Intellectual property**

Trademarks, commercial names or other distinctive marks on the goods are of exclusive property of Seller, and will not be altered, changed, removed or cancelled in any manner. Purchaser can use, to the limited purpose of resale of the goods to the public, the trademarks, commercial names and other distinctive marks, as well as other industrial exclusive rights or Know-how associated with the goods, which nonetheless remain the exclusive property of Seller. Any other utilization of the Intellectual Property, if not expressly granted by Seller in writing, will be considered a violation of the aforementioned exclusive rights of Seller, also under the profile of the contractual responsibility, and will be prosecuted.

**Confidentiality**

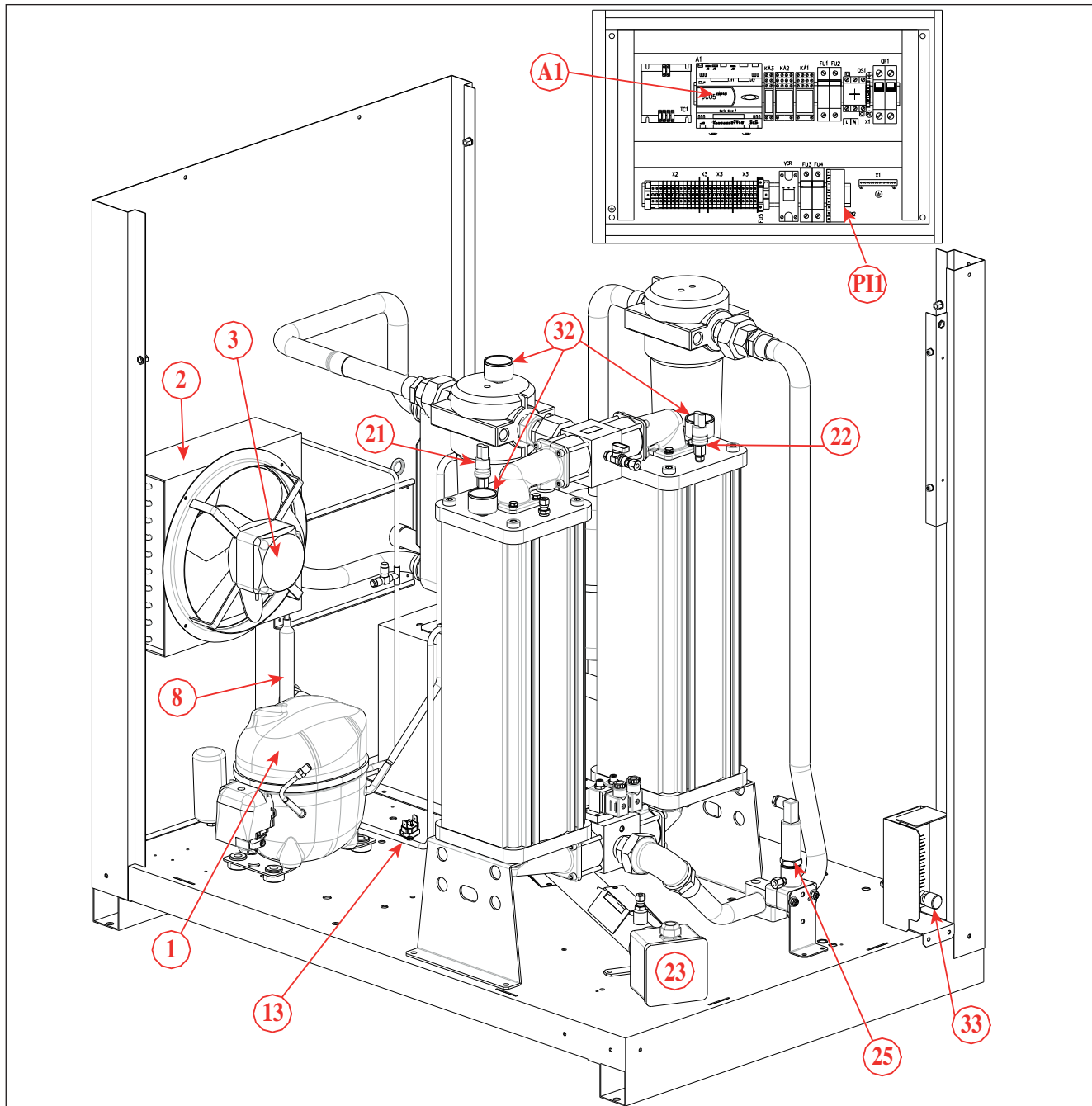
These Conditions, all Orders and any other information or material supplied by (or on behalf of) one party to the other are strictly confidential and will not be disclosed (in whole or in part) to any other person without the disclosing party's prior written consent. The receiving party will not make use of the disclosing party's name, or any other information contained in these Conditions (or supplied pursuant to them), for publicity purposes without the disclosing party's prior written consent.

**Privacy**

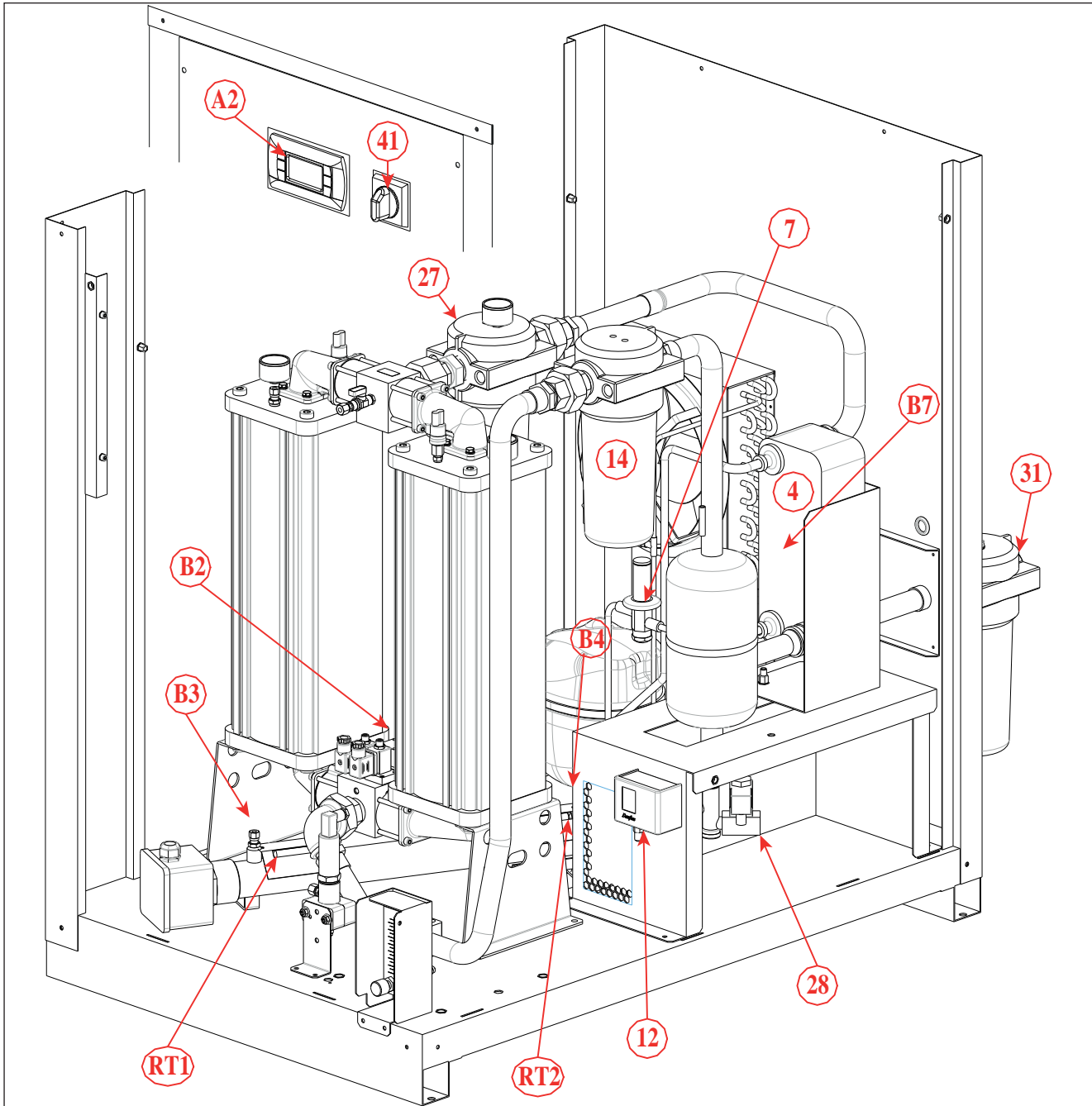
Purchaser declares to be aware that all data communicated will be handled and utilized exD. Lgs. 196/2003, according to what better specified in the a later agreement of the sales contract.

**Disputes**

All disputes arising from or in connection to the contract shall be judged according to Italian law. The Court of Padua (Italy) shall have the exclusive jurisdiction.

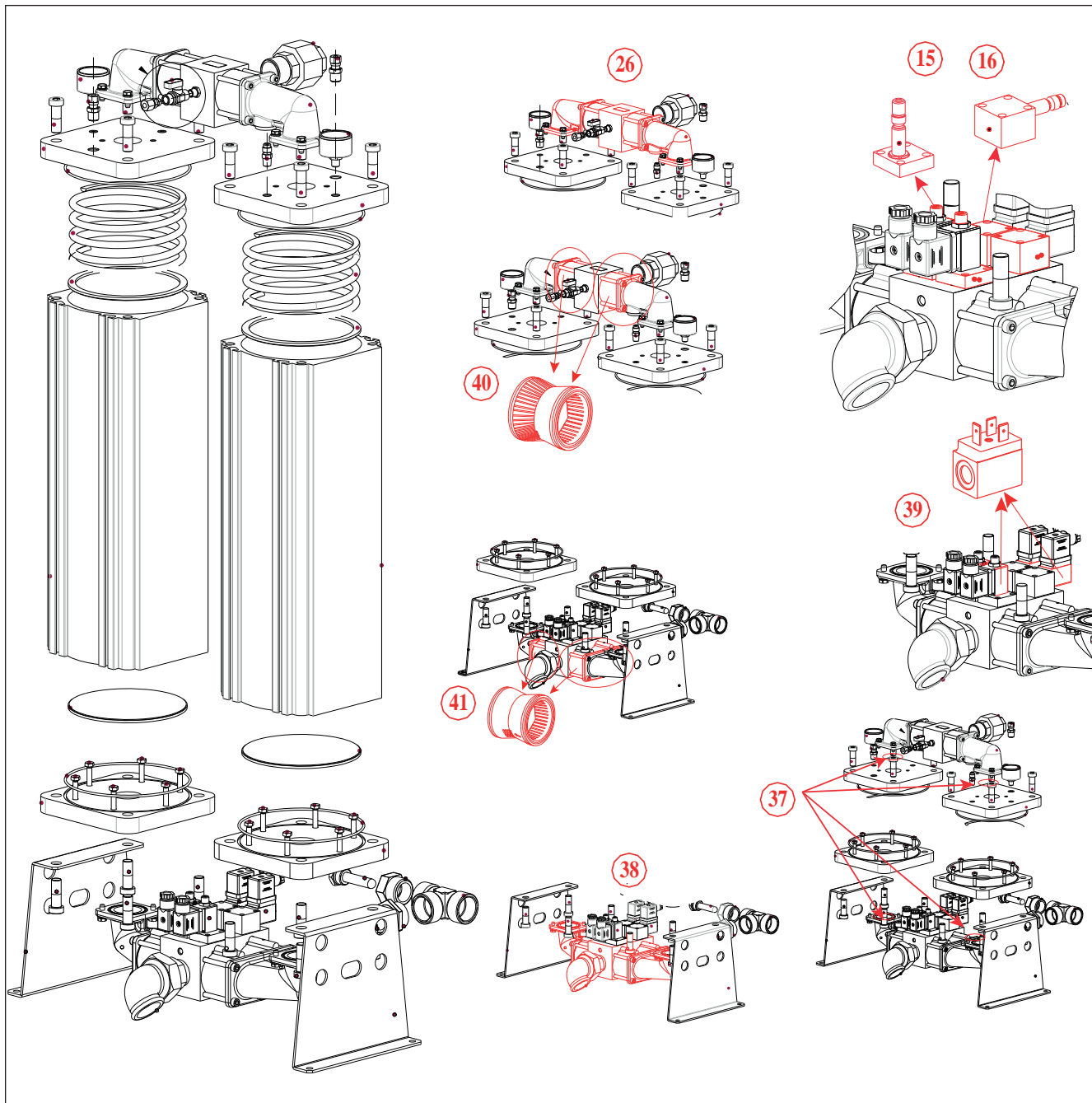


COMPONENTS	
Compressor	1
Refrigerant condenser	2
Fan	3
Refrigerant filter	8
High temperature switch	13
Low pressure switch	21/22
Electrical heating kit	23
Dew point meter	25
Air mamometer	32
Flowmeter	33
Electronic control	A1
Full protection heater	PI1



COMPONENTS	
Evaporator/ Separator/ Air-air heat - exchanger	4
Expansion automatic valve	7
Fan pressure switch	12
Oil filter element	14
Dust fi lter element	27
Condensate timed solenoid drain Condensate electronic drain	28
Air fi lter Element	31
Main disconnect switch	41
Purge Air temperature probe	B2
Heater air outlet temperature 1-2 probe	B3-B4
Air inlet temperature probe	B7
Probe temperature (170°C)	RT1/ RT2
Display control	A2





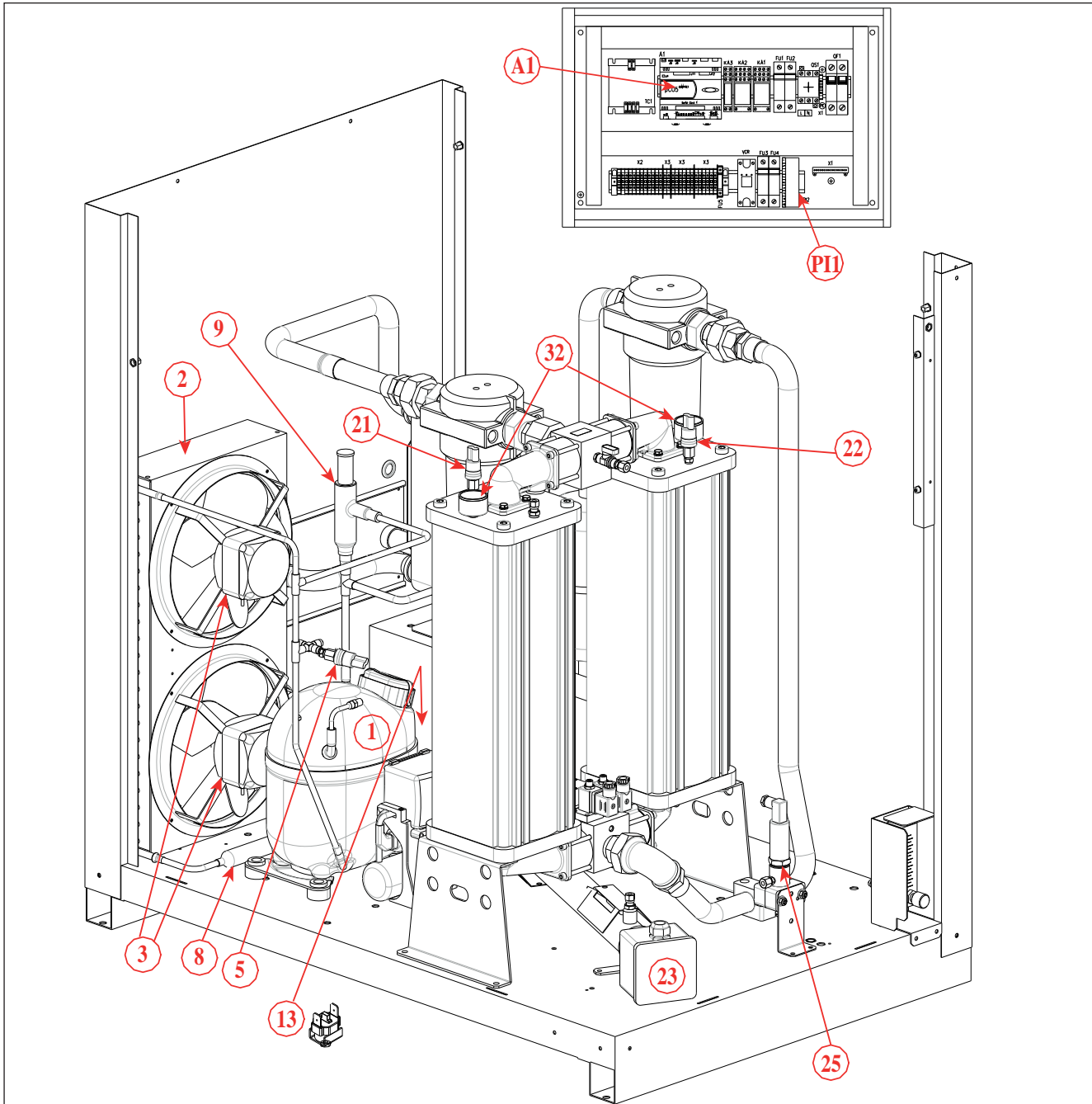
COMPONENTS	
Normally closed Pilot valve maintenance kit Normally closed Open valve maintenance kit	15/16
Air outlet valve	26
Coil solenoid valve	34
Oring kit blocks	37
Air inlet Blocks	38
Wearing part for valve block	39
Wearing part non return block	40

COMPONENTS	Pos.	OLD	ACTUAL CODE
Fridge compressor kit	1 / 8	-	398H474488
Refrigerant condenser	2	-	398H114752
Fan kit	3	-	398H474421
Evaporator/ Separator/ Air-air heat - exchanger	4	-	on request
Expansion automatic valve kits	7 / 8	-	398H473109
Refrigerant filter	8	-	398H206214
Fan pressure switch	12	-	398H785123
High temperatur switch	13	-	398H473399
Oil filter element	14	-	CP3025XLP
Normally closed Open valve maintenance kit	15	-	RKK10-K95/V1-V4
Normally closed Pilot valve maintenance kit	16	-	
Silencer	19	-	398H291240
Low pressure switch	21 / 22	-	398H354054
Electrical heating kit	23	-	398H471013
Electrical kit (FU1-3÷ KA1÷KM1 ÷B2-B4÷C÷PI ÷ Coil)	-	-	398H473485
Dew point meter	25	-	ZHM100/450
Air outlet valve	26	-	RKRV-BL.G1.KE-V2
Dust filtee element	27	-	CP3025ZLP
Condensate timed solenoid drain Condensate electronic drain	28	--	ETV ED3004-G230-09/1
Air filter Element	31	-	CP3025ZLP
Air manometer	32	-	P3D-KAB1AHN
Flowmeter	33	-	398H275916
Solenoid Coil 230v kit	34	-	RKESC-KE/KEN-230-AV
Oring kit blocks	37	-	RKORS-KE-MT10-95
Air inlet blok	38	-	RKMV-BL.GI.AUF.KE-V2
Wearing part for valve block	39	-	RKK10-K25/25/VS
Wearing part non return block	40	-	RKK10-K25/25/VSRV
Full protection heater	PI1	-	398H271336

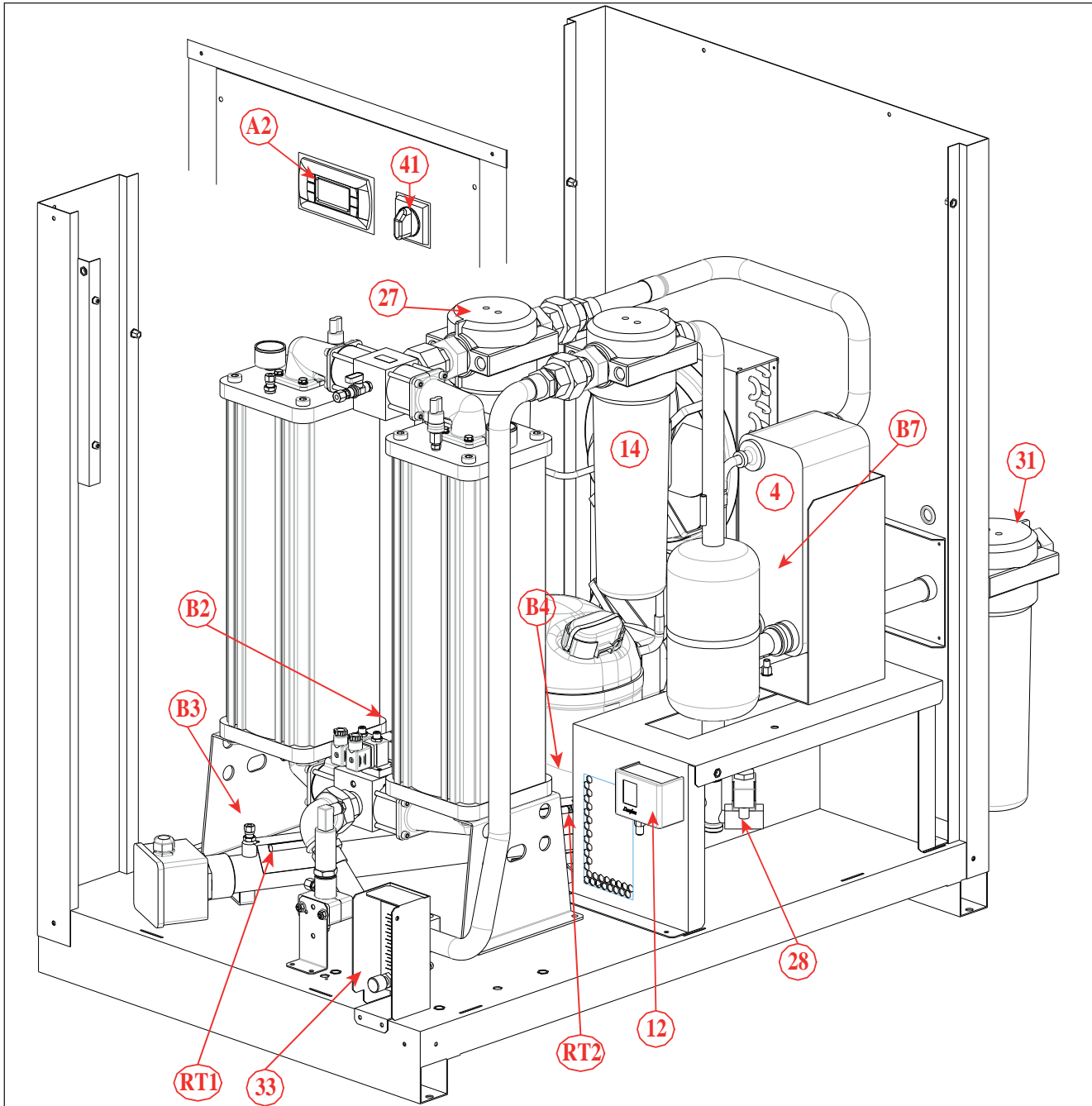
COMPONENTS	Pos.	OLD	ACTUAL CODE
Purge Air temperature PROBE	<b>B2</b>	-	398H275559
Heater air outlet temperature PROBE 1 -2	<b>B3 -B4</b>	-	398H275893
Air inlet temperature PROBE	<b>B7</b>	-	398H275894
Electronic control	<b>A1</b>	-	398H474090
Display control	<b>A2</b>	-	398H275793
Main disconnecter switch	<b>41</b>	-	398H256416
Despac adsorbent pack* (Dessiccant charge : 5 kg )	-	-	DESPAC5WS
Front Panel	<b>A</b>	-	398H139359
Left side panel	<b>B</b>	-	398H137999
Right side panel	<b>C</b>	-	398H137736
Rear panel	<b>D</b>	-	398H139358
Cover panel	<b>E</b>	-	398H137478

#### PREVENTIVE MAINTENANCE

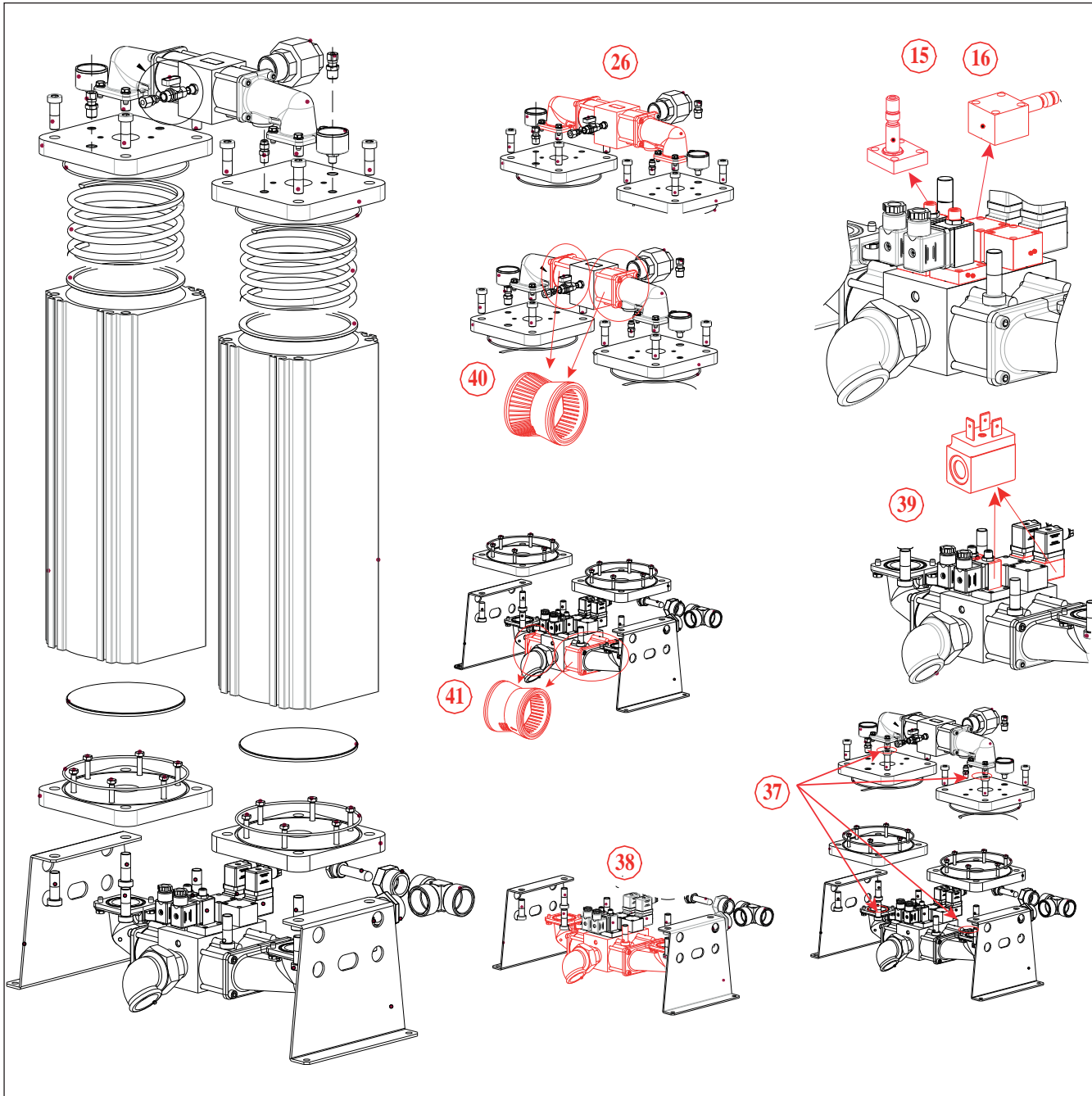
Kit / component	Quantity	Pos.	ACTUAL CODE	REPLACEMENT
Filter element	<b>1</b>	<b>14</b>	CP3025XLP	Every 12 Month
	<b>2</b>	<b>27 / 31</b>	CP3025ZLP	Every 12 Month
Solenoid valve	<b>1</b>	<b>15</b>	RKK10-K95/V1-V4	Every 12 Month
	<b>1</b>	<b>16</b>		Every 12 Month
Coil solenoid valve block 4pcs	<b>1</b>	<b>34</b>	RKESC-KE/KEN-230-AV	Every 12 Month
Dew Point Sensor	<b>1</b>	<b>25</b>	ZHM100/450	Every 12 Month (recommended)
Wearing part for valve block	<b>1</b>	<b>39</b>	RKK10-K25/25/VS	Every 24 Month
Wearing part non return block	<b>1</b>	<b>40</b>	RKK10-K25/25/VSRV	Every 24 Month
Probe temperature (0/150°C) (wiring diagram)	<b>1</b>	<b>B2</b>	398H275559	Every 48 Month
Thermal resistance (wiring diagram)	<b>2</b>	<b>B3/B4</b>	398H275893	Every 48 Month
Probe temperature (-50/50°C) (wiring diagram)	<b>1</b>	<b>B7</b>	398H275895	Every 48 Month
Probe temperature (170°C) (wiring diagram)	<b>2</b>	<b>RT1/RT2</b>	398H275899	Every 48 Month
Despac adsorbent pack (Dessiccant charge : 5 kg )	<b>3</b>	-	DESPAC5WS	Every 48 Month
Silencer	<b>1</b>	<b>19</b>	398H291240	Every 48 Month (first time recommended after 12Month)



COMPONENTS	
Compressor	1
Refrigerant condenser	2
Fan	3
High pressure switch	5
Refrigerant filter	8
Hot gas valve	9
High temperature switch	13
Low pressure switch	21/22
Electrical heating kit	23
Dew point meter	25
Air mamometer	32
Electronic control	A1
Full protection heater	P11



COMPONENTS	
Evaporator/ Separator/ Air-air heat - exchanger	4
Fan pressure switch	12
Oil filter element	14
Dust filter element	27
Condensate timed solenoid drain Condensate electronic drain	28
Air filter Element	31
Flowmeter	33
Main disconnecter switch	41
Purge Air temperature probe	B2
Heater air outlet temperature 1-2 probe	B3-B4
Air inlet temperature probe	B7
Probe temperature (170°C)	RT1/ RT2
Display control	A2



COMPONENTS	
Normally closed Pilot valve maintenance kit Normally closed Open valve maintenance kit	15/16
Air outlet valve	26
Coil solenoid valve	34
Oring kit blocks	37
Air inlet Blocks	38
Wearing part for valve block	39
Wearing part non return block	40

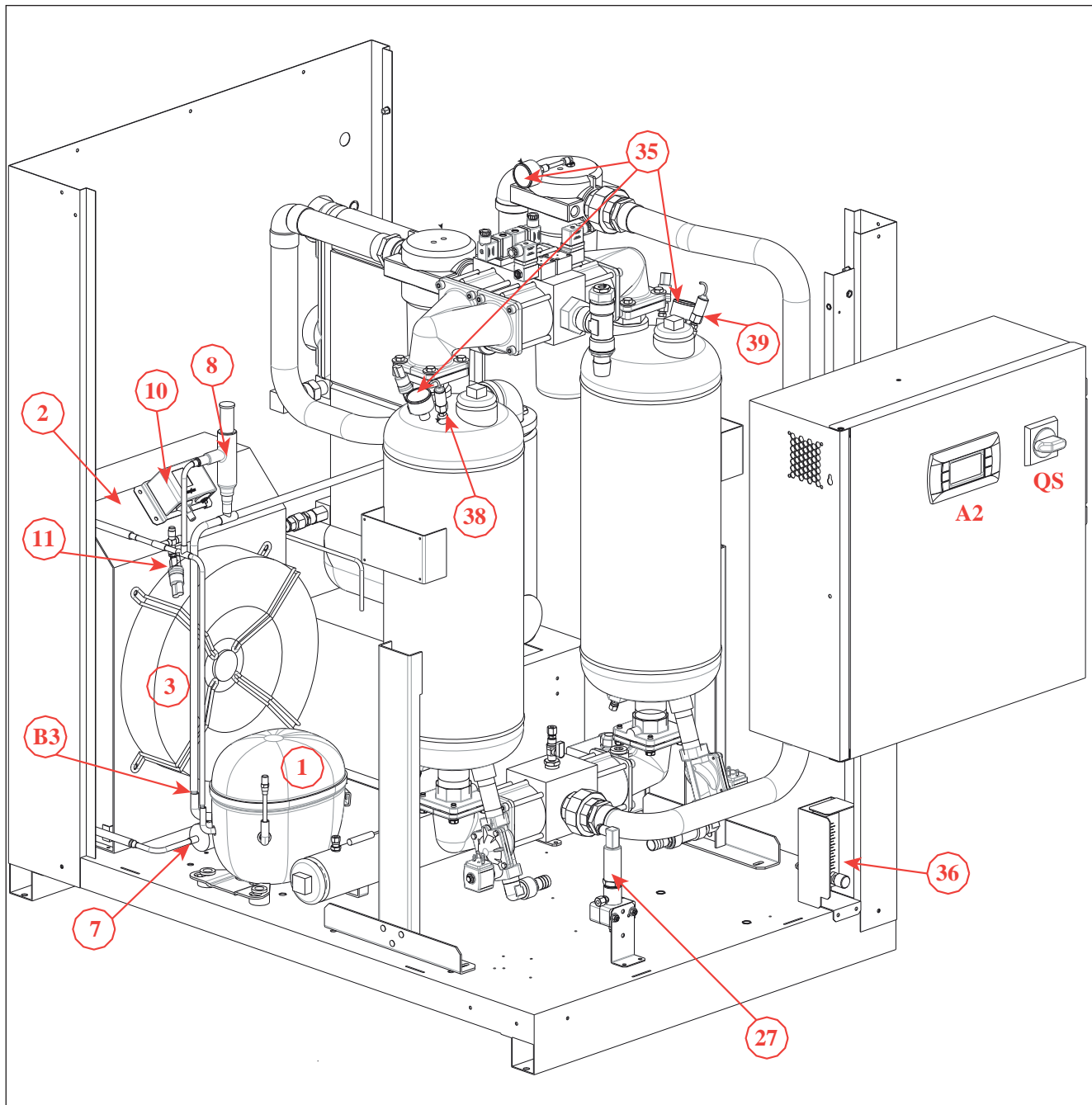
COMPONENTS	Pos.	OLD	ACTUAL CODE
Fridge compressor kit	1 / 8	-	398H474426
Refrigerant condenser	2	-	398H114809
Fan kit	3	-	398H474421
Evaporator/ Separator/ Air-air heat - exchanger	4	-	on request
High pressure switch	5	-	398H354053
Refrigerant filter	8	-	398H206218
Hot gas valve kits	8 / 9	-	398H474433
Fan pressure switch	12	-	398H785123
High temperatur switch	13	-	398H474434
Oil filter element	14	-	CP3040XLP
Normally closed Open valve maintenance kit	15	-	RKK10-K95/V1-V4
Normally closed Pilot valve maintenance kit	16	-	
Silencer	19	-	398H291240
Low pressure switch	21 / 22	-	398H354054
Electrical heating kit	23	-	398H471013
Electrical kit (FU1-3÷ KA1÷KM1 ÷B2-B4÷C÷PI ÷ Coil)	-	-	398H473485
Dew point meter	25	-	ZHM100/450
Air outlet valve	26	-	RKRV-BL.G1.KE-V2
Dust filtee element	27	-	CP3040ZLP
Condensate timed solenoid drain Condensate electronic drain	28	-	ETV ED3004-G230-09/1
Air filter Element	31	-	CP3040ZLP
Flowmeter	33	-	398H275916
Solenoid Coil 230v kit	34	-	RKESC-KE/KEN-230-AV
Oring kit blocks	37	-	RKORS-KE-MT10-95
Air inlet blok	38	-	RKMV-BL.GI.AUF.KE-V2
Wearing part for valve block	39	-	RKK10-K25/25/VS
Wearing part non return block	40	-	RKK10-K25/25/VSRV
Full protection heater	PI1	-	398H271336

COMPONENTS	Pos.	OLD	ACTUAL CODE
Purge Air temperature PROBE	<b>B2</b>	-	398H275559
Heater air outlet temperature PROBE 1 -2	<b>B3 -B4</b>	-	398H275893
Air inlet temperature PROBE	<b>B7</b>	-	398H275894
Electronic control	<b>A1</b>	-	398H474090
Display control	<b>A2</b>	-	398H275793
Main disconnect switch	<b>41</b>	-	398H256416
Despac adsorbent pack* (Dessiccant charge : 5 kg )	-	-	DESPAC5WS
Front Panel	<b>A</b>	-	398H139359
Left side panel	<b>B</b>	-	398H137999
Right side panel	<b>C</b>	-	398H137736
Rear panel	<b>D</b>	-	398H139358
Cover panel	<b>E</b>	-	398H137478

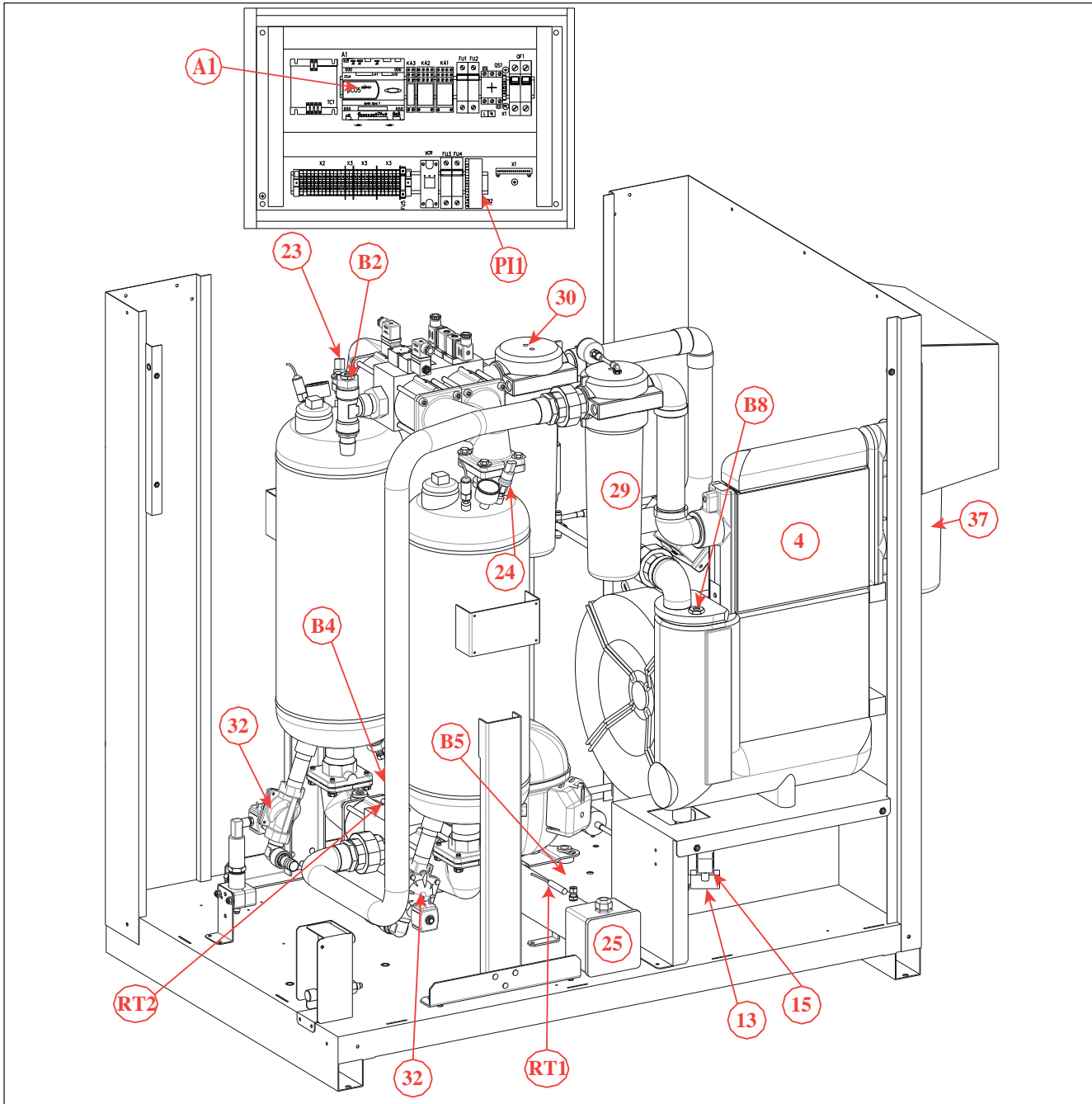
**PREVENTIVE MAINTENANCE**

Kit / component	Quantity	Pos.	ACTUAL CODE	REPLACEMENT
Filter element	<b>1</b>	<b>14</b>	CP3040XLP	Every 12 Month
	<b>2</b>	<b>27/31</b>	CP3040ZLP	Every 12 Month
Solenoid valve	<b>1</b>	<b>15</b>	RKK10-K95/V1-V4	Every 12 Month
	<b>1</b>	<b>16</b>		Every 12 Month
Coil solenoid valve block 4pcs	<b>1</b>	<b>34</b>	RKESC-KE/KEN-230-AV	Every 12 Month
Dew Point Sensor	<b>1</b>	<b>25</b>	ZHM100/450	Every 12 Month (recommended)
Wearing part for valve block	<b>1</b>	<b>39</b>	RKK10-K25/25/VS	Every 24 Month
Wearing part non return block	<b>1</b>	<b>40</b>	RKK10-K25/25/VSRV	Every 24 Month
Probe temperature (0/150°C)	<b>1</b>	<b>B2</b>	398H275559	Every 48 Month
Thermal resistance	<b>2</b>	<b>B3/B4</b>	398H275893	Every 48 Month
Probe temperature (-50/50°C)	<b>1</b>	<b>B7</b>	398H275895	Every 48 Month
Probe temperature (170°C)	<b>2</b>	<b>RT1/RT2</b>	398H275899	Every 48 Month
Despac adsorbent pack * Dessiccant charge : 5 kg	<b>3</b>		DESPAC5WS	Every 48 Month
Silencer	<b>1</b>	<b>19</b>	398H291240	Every 48 Month (first time recommended after 12Month)

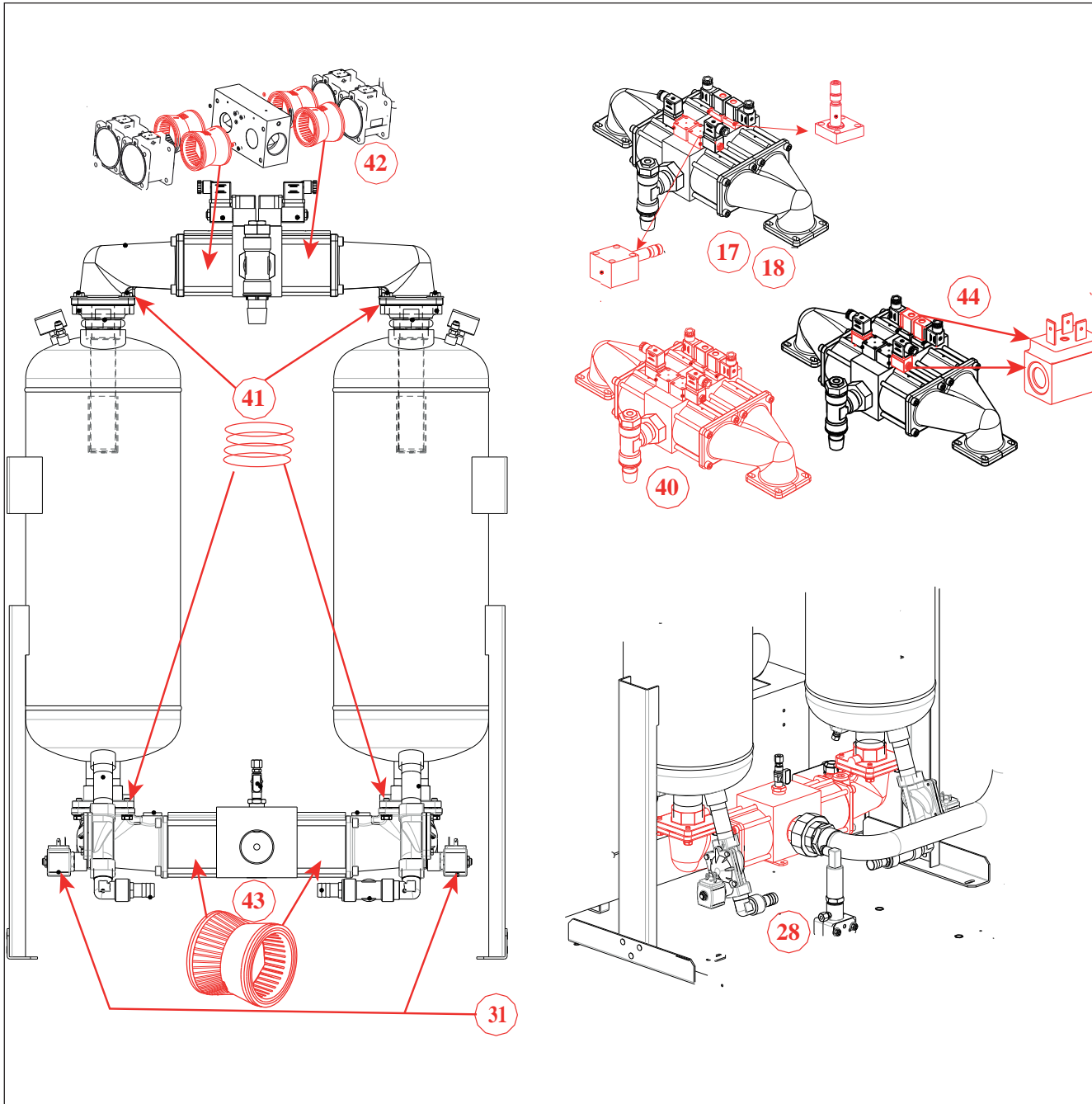




COMPONENTS	
Compressor	1
Refrigerant condenser	2
Fan	3
Refrigerant filter	7
Hot gas valve	8
Fan pressure switch	10
High pressure switch	11
Dew point meter	27
Air mamometer	35
Flowmeter	36
Pressure trasducer	38/39
Discharge refrigerant sensor	B3
Display control	A2
Main disconnector switch	QS



COMPONENTS	
Evaporator/ Separator/ Air-air heat - exchanger	4
Condensate timed solenoid drain Condensate electronic drain	13/15
Low pressure switch	23/24
Electrical heating kit	25
Dust filter element	29
Oil filter element	30
ETV discharge column	32
Air filter element	37
Purge Air temperature probe	B2
Heater air outlet temperature 1-2 probe	B4-B5
Air inlet temperature probe	B8
Probe temperature (170°C)	RT1/ RT2
Electronic control	A1
Full protection heater	PI1



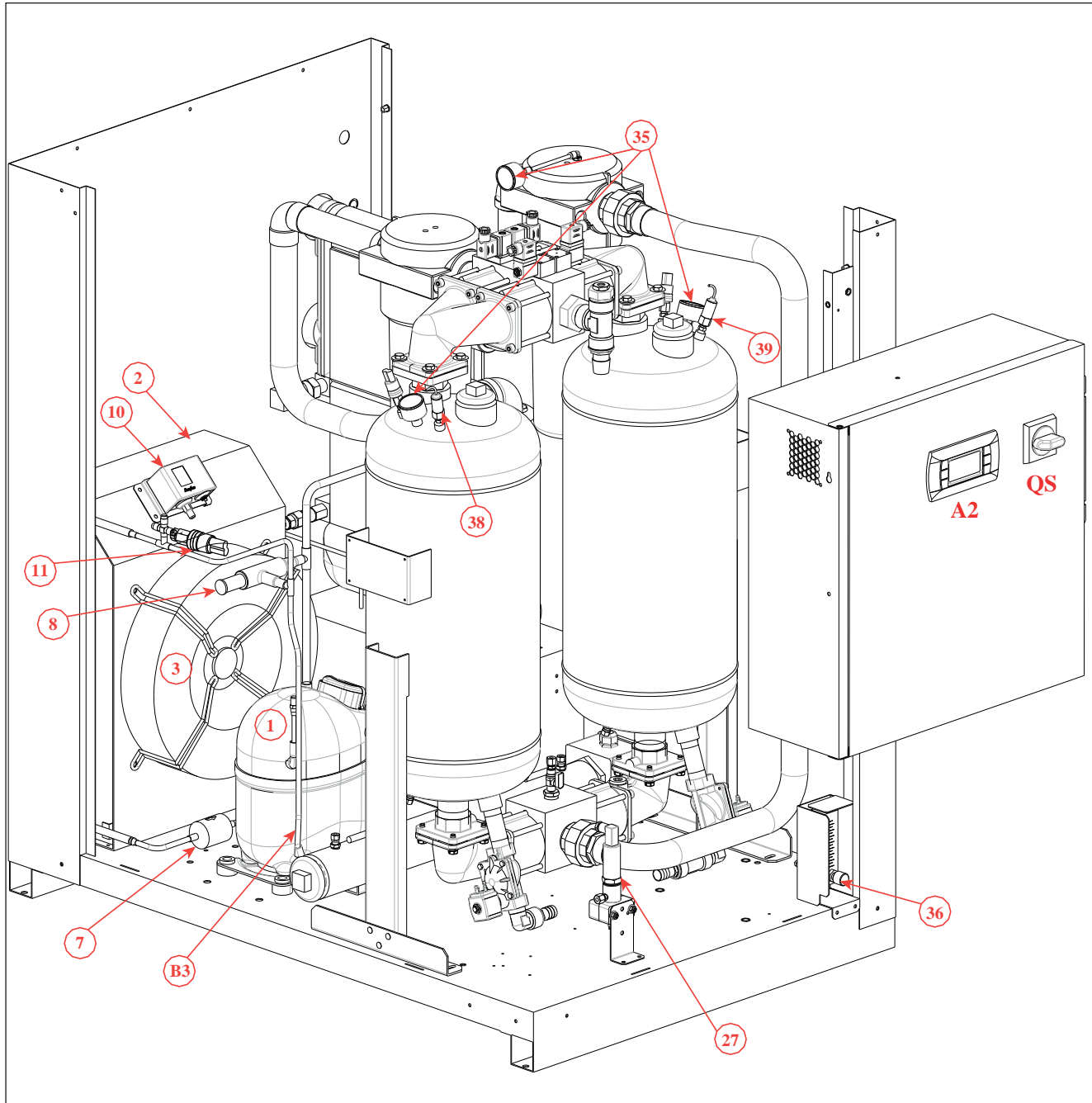
COMPONENTS	
Solenoid valve kit	17/18
Air outlet valve	28
Coil solenoid valve	31
Inlet/Purge valve Blocks	40
Oring kit blocks	41
Wearing part for valve block	42
Wearing part non return block	43
Coil solenoid valve block	44

COMPONENT	Pos.	Old	ACTUAL CODE
Fridge compressor kit	1 / 7	-	398H473004
Refrigerant condenser	2	-	398H114791
Fan kit	3	-	398H473474
Evaporator/ Separator/ Air-air heat - exchanger	4	-	on request
Refrigerant filter	7	-	398H206219
Hot gas valve kits	7 / 8	-	398H473137
Fan pressure switch	10	-	398H473682
High pressure switch	11	-	398H354053
Condensate timed solenoid drain Condensate electronic drain	13 / 15	-	ETV ED3004-G230-09/1
Air pressure manometer kit	22	-	on request
Low pressure switch	23 / 24	-	398H354054
Electrical heating kit	25	-	398H471013
First aid electrical kit (FU1-5÷ KA1 ÷ KM1 ÷ B2-B8 ÷ PI ÷ Coil)	-	-	398H473486
Dew point meter	27	-	ZHM100/450
Air outlet valve	28	-	RKRV-BL.G1.5.KE-V2
Dust filter element	29	-	CP3040ZLP
Oil filter elementt	30	-	CP3040XLP
Coil for ETV	31	-	398H254009
ETV Discharge column2	32	-	398H183109
Silencer	33	-	398H291240
By-pass valve (optionale)	34	-	-
Air manometer	35	-	P3D-KABIAHN
Flowmeter	36	-	398H275916
Air filter Element	37	-	CP3040ZLP
Pressure trasducer	38 / 39	-	398H275305
Inlet/purge valve bock	40	-	MV-BL.G1.5.ANTARIS
Kit blocks oring	41	-	RKORS-KE-MT10-95
Wearing part valve block	42	-	RKK35-K95/40/VS
Wearing part no retunr valve block	43	-	RKK35-K95/40/VSRV
Coil solenoid valve block 4pcs	44	-	RKESC-KE/KEN-230-AV

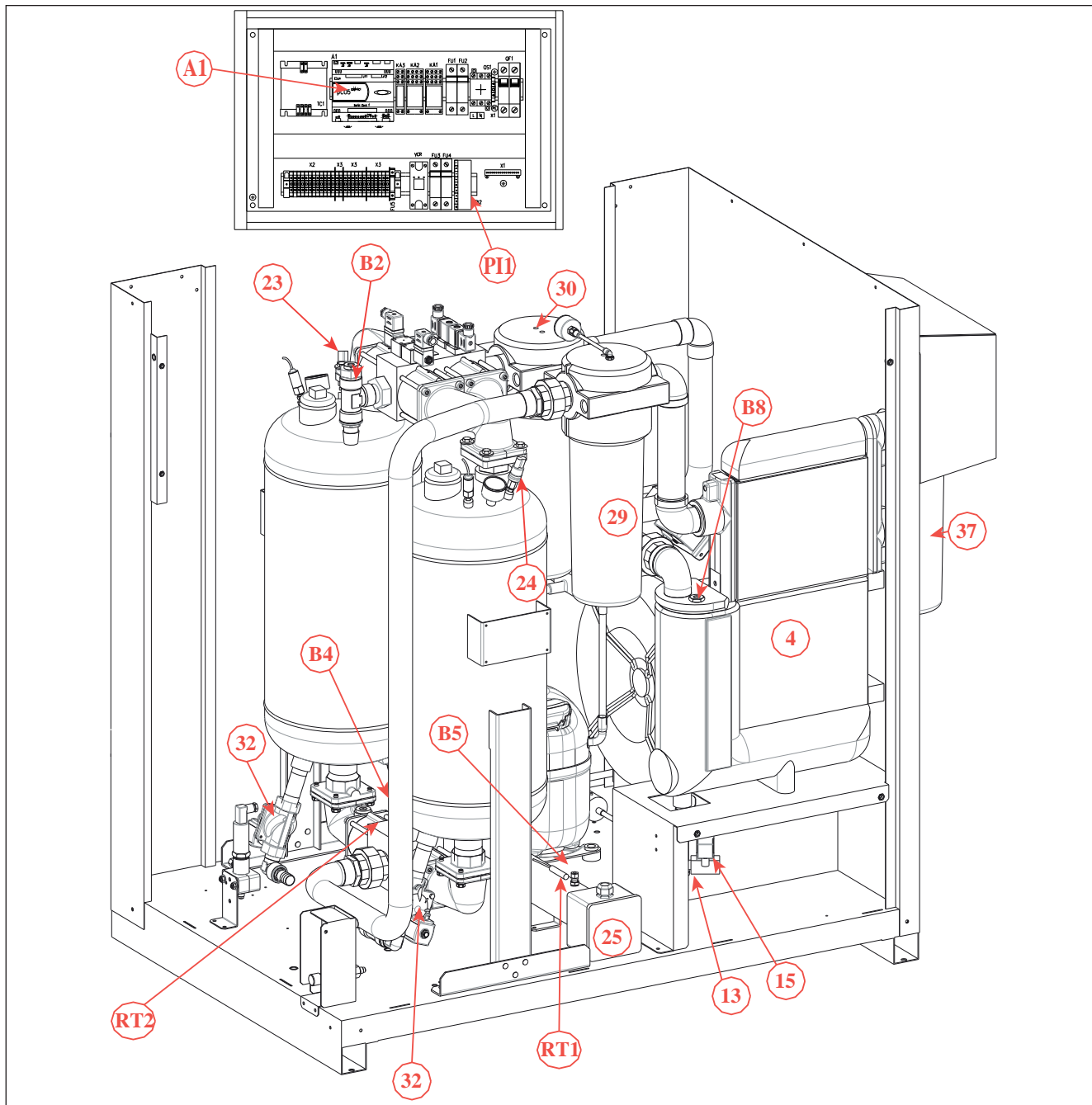
COMPONENT	Pos.	Old	ACTUAL CODE
Purge Air temperature sensor	B2	-	398H275559
Discharge refrigerant temperature	B3	-	398H275559
Heater air outlet temperature sensor	B4 B5	-	398H275893
Adsorber inlet temperature sensor	B8	-	398H275895
Full protection heater	PI1	-	398H271336
Electronic control	A1	-	398H474091
Display control	A2	-	398H275793
Main disconnect switch	QS1	-	On request
Despac adsorbent pack (pack : 5Kg)	-	-	DESPAC5WS
Front Panel	A	-	398H139370
Left side panel	B	-	398H137745
Right side panel	C	-	398H139371
Rear panel	D	-	398H139369

#### PREVENTIVE MAINTENANCE

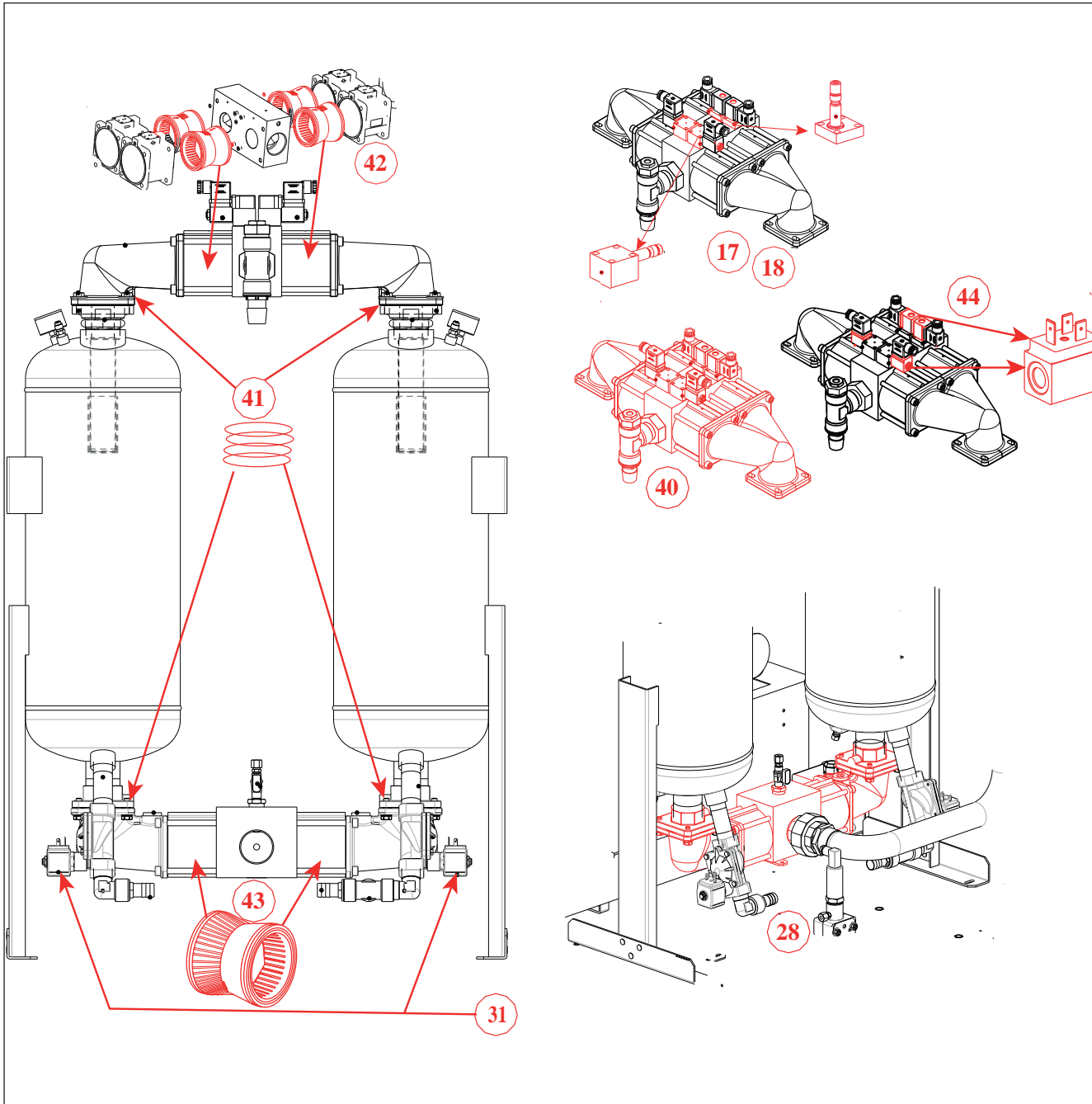
Kit / component	Quantity	Pos.	ACTUAL CODE	REPLACEMENT
Filter element	1	30	CP3040XLP	Every 12 Month
	2	29/37	CP3040ZLP	Every 12 Month
Coil solenoid valve block 4pcs	1	44	RKESC-KE/KEN-230-AV	Every 12 Month
Dew Point Sensor	1	27	ZHM100/450	Every 12 Month (recommended)
Solenoid valve kit	1	17/18	RKK10-K95/V1-V4	Every 12 Month
Wearing part valve block	1	42	RKK35-K95/40/VS	Every 24 Month
Wearing part no return valve block	1	43	RKK35-K95/40/VSRV	Every 24 Month
Coil for solenoid valve block	2	31	398H254009	Every 48 Month
Pressure Transducer	2	38/39	398H275305	Every 48 Month
Probe temperature (0/150°C)	2	B2/B3	398H275559	Every 48 Month
Thermal resistance	2	B4/B5	398H275893	Every 48 Month
Probe temperature (-50/50°C)	1	B8	398H275895	Every 48 Month
Probe temperature (170°C)	2	RT1/RT2	398H275899	Every 48 Month
Despac adsorbent pack	4		DESPAC5WS	Every 48 Month
Silencer	1	33	398H291240	Every 48 Month (first time recommended after 12Month)



COMPONENTS	
Compressor	1
Refrigerant condenser	2
Fan	3
Refrigerant filter	7
Hot gas valve	8
Fan pressure switch	10
High pressure switch	11
Dew point meter	27
Air mamometer	35
Flowmeter	36
Pressure trasducer	38/39
Discharge refrigerant sensor	B3
Display control	A2
Main disconnect switch	QS



COMPONENTS	
Evaporator/ Separator/ Air-air heat - exchanger	4
Condensate timed solenoid drain Condensate electronic drain	13/15
Low pressure switch	23/24
Electrical heating kit	25
Dust filter element	29
Oil filter element	30
ETV discharge column	32
Air filter element	37
Purge Air temperature probe	B2
Heater air outlet temperature 1-2 probe	B4-B5
Air inlet temperature probe	B8
Probe temperature (170°C)	RT1/ RT2
Electronic control	A1
Full protection heater	PI1



COMPONENTS	
Solenoid valve kit	17/18
Air outlet valve	28
Coil solenoid valve	31
Inlet/Purge valve Blocks	40
Oring kit blocks	41
Wearing part for valve block	42
Wearing part non return block	43
Coil solenoid valve block	44

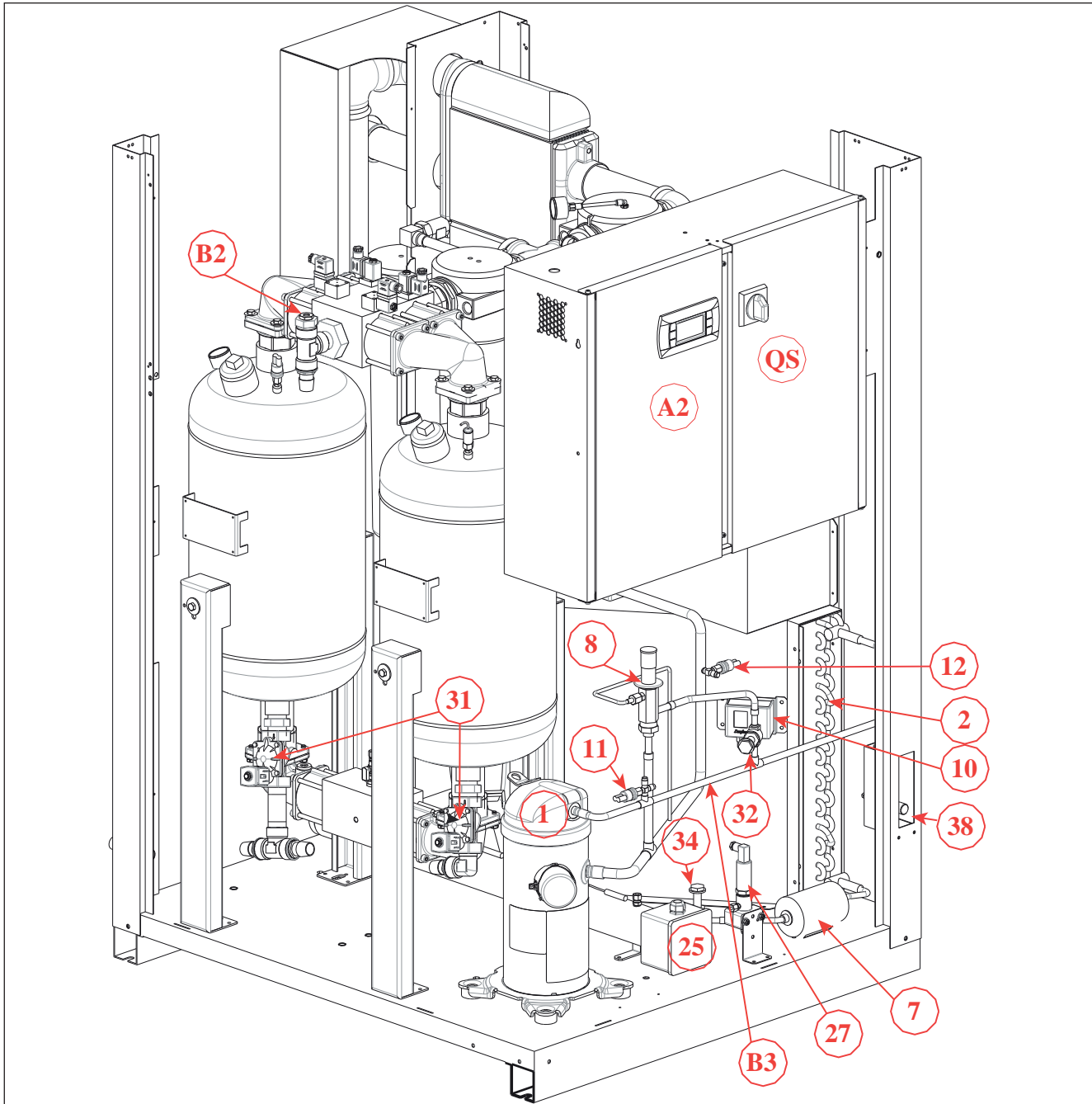


COMPONENT	Pos.	Old	ACTUAL CODE
Fridge compressor kit	1 / 7	-	398H473079
Refrigerant condenser	2	-	398H114791
Fan kit	3	-	398H473474
Evaporator/ Separator/ Air-air heat - exchanger	4	-	on request
Refrigerant filter	7	-	398H206219
Hot gas valve kits	7 / 8	-	398H473137
Fan pressure switch	10	-	398H473682
High pressure switch	11	-	398H354053
Condensate timed solenoid drain Condensate electronic drain	13 / 15	-	ETV ED3004-G230-09/1
Air pressure manometer kit	22	-	on request
Low pressure switch	23 / 24	-	398H354054
Electrical heating kit	25	-	398H471019
First aid electrical kit (FU1-5÷ KA1 ÷ KM1 ÷ B2-B8 ÷ PI ÷ Coil)	-	-	398H473486
Dew point meter	27	-	ZHM100/450
Air outlet valve	28	-	RKRV-BL.G1.5.KE-V2
Dust filter element	29	-	CP4040ZLP
Oil filter elementt	30	-	CP4040XLP
Coil for ETV	31	-	398H254009
ETV Discharge column2	32	-	398H183109
Silencer	33	-	398H291240
By-pass valve (optionale)	34	-	-
Air manometer	35	-	P3D-KABIAHN
Flowmeter	36	-	398H275916
Air filter Element	37	-	CP4040ZLP
Pressure trasducer	38 / 39	-	398H275305
Inlet/purge valve bock	40	-	MV-BL.G1.5.ANTARIS
Kit blocks oring	41	-	RKORS-KE-MT10-95
Wearing part valve block	42	-	RKK35-K95/40/VS
Wearing part no return valve block	43	-	RKK35-K95/40/VSRV
Coil solenoid valve block 4pcs	44	-	RKESC-KE/KEN-230-AV

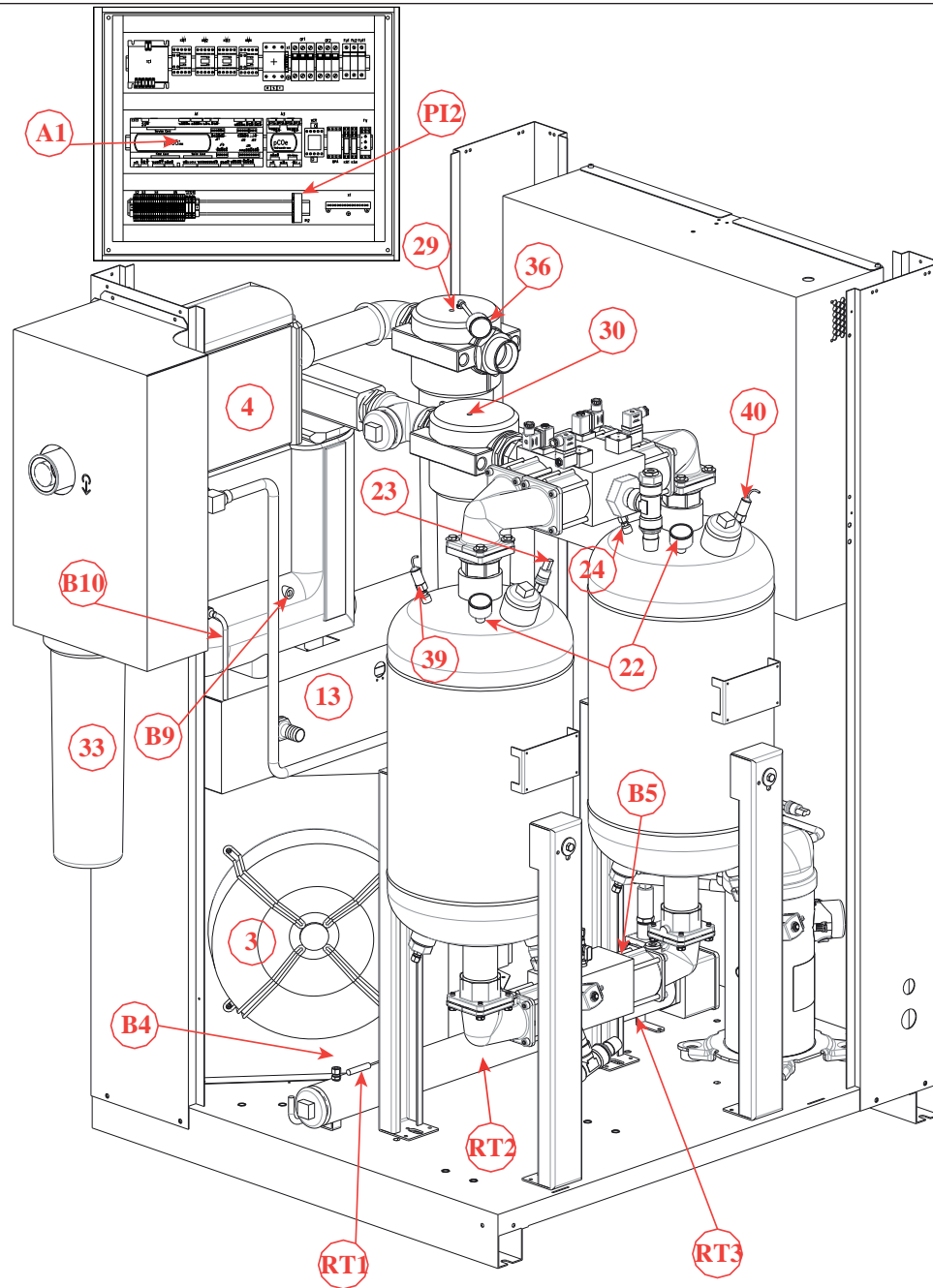
COMPONENT	Pos.	Old	ACTUAL CODE
Purge Air temperature sensor	B2	-	398H275559
Discharge refrigerant temperature	B3	-	398H275559
Heater air outlet temperature sensor	B4 / B5	-	398H275893
Adsorber inlet temperature sensor	B8	-	398H275895
Full protection heater	PI1	-	398H271336
Electronic control	A1	-	398H474091
Display control	A2	-	398H275793
Main disconnecter switch	QS1	-	On request
Despac adsorbent pack (pack : 5Kg)	-	-	DESPAC5WS
Front Panel	A	-	398H139370
Left side panel	B	-	398H137745
Right side panel	C	-	398H139371
Rear panel	D	-	398H139369

**PREVENTIVE MAINTENANCE**

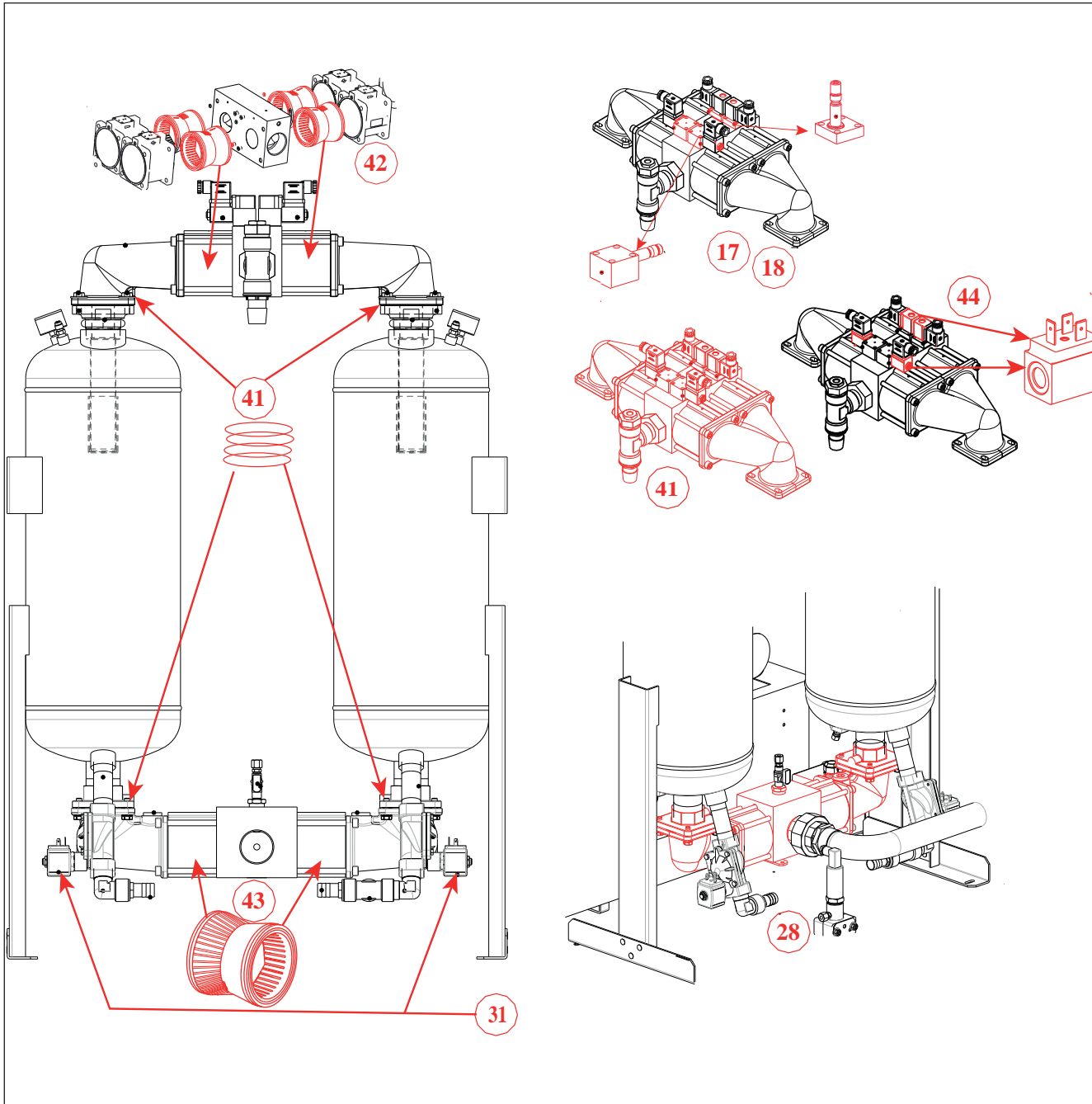
Kit / component	Quantity	Pos.	ACTUAL CODE	REPLACEMENT
Filter element	1	14	CP4040XLP	Every 12 Month
	2	31/32	CP4040ZLP	Every 12 Month
Coil solenoid valve block 4pcs	1	44	RKESC-KE/KEN-230-AV	Every 12 Month
Dew Point Sensor	1	27	ZHM100/450	Every 12 Month (recommended)
Solenoid valve kit	1	17/18	RKK10-K95/V1-V4	Every 12 Month
Wearing part valve block	1	42	RKK35-K95/40/VS	Every 24 Month
Wearing part no return valve block	1	43	RKK35-K95/40/VSRV	Every 24 Month
Coil for solenoid valve block	2	31	398H254009	Every 48 Month
Pressure Transducer	2	38/39	398H275305	Every 48 Month
Probe temperature (0/150°C)	2	B2/B3	398H275559	Every 48 Month
Thermal resistance	2	B4/B5	398H275893	Every 48 Month
Probe temperature (-50/50°C)	1	B8	398H275895	Every 48 Month
Probe temperature (170°C)	2	RT1/RT2	398H275899	Every 48 Month
Despac adsorbent pack	6		DESPAC5WS	Every 48 Month
Silencer	1	33	398H291240	Every 48 Month (first time recommended after 12Month)



COMPONENTS	
Compressor	1
Refrigerant condenser	2
Refrigerant filter	7
Hot gas valve	8
Fan pressure switch	10
High pressure switch	11
Safety low pressure switch (refrigerant)	12
Electrical heater kit	25
Dew point meter	27
ETV Discharge column	31
Coil for solenoid valve	32 / 34
Flowmeter	38
Purge air temperature sensor	B2
Discharge refrigerant sensor	B3
Display control	A2
Main disconnect switch	QS



COMPONENTS	
Fan motor	3
Evaporator/ Separator/ Air-air heat - exchanger	4
Condensate solenoid drain solenoid valve	13
Air pressure manometer	22 / 36
Low pressure switch	23/24
Dust filter element	29
Oil filter element	30
Air filter element	33
Heater air outlet temperature 1-2 probe	B4-B5
Air inlet temperature probe	B9
Thermal mass temperature sensor	B10
Probe temperature (170°C)	RT1/2/3
Electronic control	A1
Full protection heater	PI2



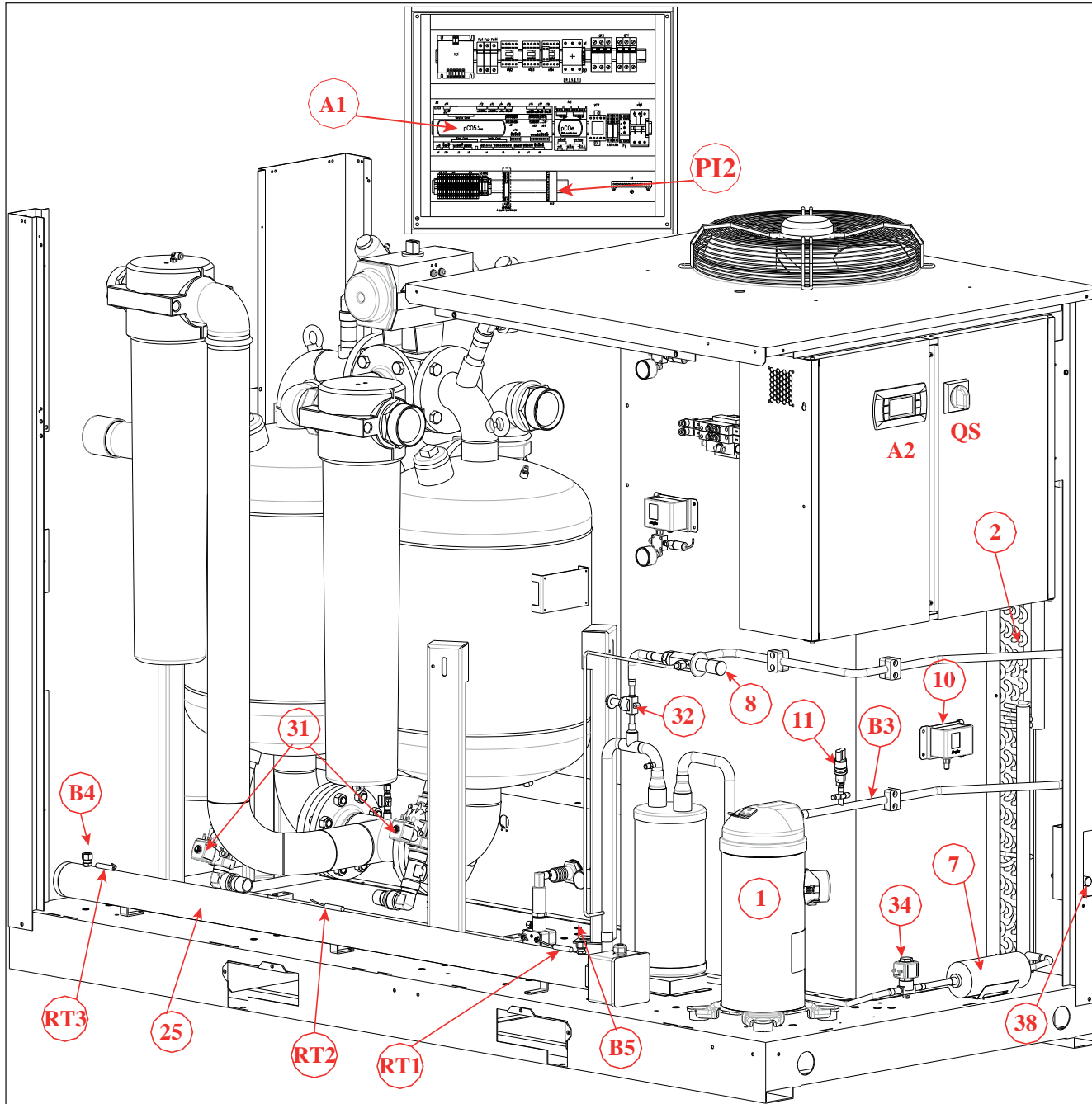
COMPONENTS	
Solenoid valve kit	17/18
Air outlet valve block	28
Coil solenoid valve	31
Inlet/Purge valve Blocks	41
Wearing part for valve block	42
Wearing part non return block	43
Coil solenoid valve block	44

COMPONENT	Pos.	Old	ACTUAL CODE
Fridge compressor kit	<b>1</b>	-	398H114786
Refrigerant condenser	<b>2</b>	-	398H114761
Fan kit	<b>3</b>	-	398H473041
Evaporator/ Separator/ Air-air heat - exchanger	<b>4</b>	-	on request
Refrigerant filter	<b>7</b>	-	398H206221
Hot gas valve kits	<b>7 / 8</b>	-	398H473138
Fan pressure switch	<b>10</b>	-	398H473682
High pressure switch	<b>11</b>	-	398H354052
Low pressure switch	<b>12 / 23 / 24</b>	-	398H354054
Condensate drain solenoid valve	<b>13</b>	-	398H698218
Solenoid valve kit	<b>17 / 18</b>	-	RKK10-K95/V1-V4
Silencer	<b>21</b>	-	398H291240
Air pressure manometer kit	<b>22 / 36</b>	-	P3D-KAB1AHN
Electrical heating kit	<b>25</b>	-	398H471020
First aid electrical kit (FU1-5÷ KA1 ÷ KM1 ÷ B2-B8 ÷ PI ÷ Coil)	-	-	398H473486
Dew point meter	<b>27</b>	-	ZHM100/450
Air outlet valve block	<b>28</b>	-	RKRV-BL.G2.KE-V2
Dust filter element	<b>29</b>	-	CP4065ZLP
Oil filter elementt	<b>30</b>	-	CP4065XLP
ETV Discharge column2	<b>31</b>	-	398H183111
Coil for ETV discharge, solenoid valve	<b>31/32/34</b>	-	398H254009
Hot gas solenoid valve / Liquid solenoid valve	<b>32 / 34</b>	-	398H378734
Air filter Element	<b>33</b>	-	CP4065ZLP
By-pass valve (optionale)	<b>35</b>	-	-
Flowmeter	<b>38</b>	-	398H275916
Pressure trasducer	<b>39 / 40</b>	-	398H275305
Inlet/purge valve bock	<b>41</b>	-	MV-BL.G2.ANTARIS
Wearing part valve block	<b>42</b>	-	RKK35-K95/40/VS
Wearing part no return valve block	<b>43</b>	-	RKK35-K95/40/VSRV
Coil solenoid valve block 4pcs	<b>44</b>	-	RKESC-KE/KEN-230-AV

COMPONENT	Pos.	Old	ACTUAL CODE
Purge Air temperature sensor	<b>B2</b>	-	398H275559
Discharge refrigerant temperature	<b>B3</b>	-	398H275559
Heater air outlet temperature sensor	<b>B4 / B5</b>	-	398H275893
Adsorber inlet temperature sensor	<b>B9</b>	-	398H275895
Thermal mass temperature sensor	<b>B10</b>	-	398H275895
Full protection heater	<b>PI2</b>	-	398H271336
Electronic control	<b>A1</b>	-	398H474092
Display control	<b>A2</b>	-	398H275793
Main disconnect switch	<b>QS1</b>	-	On request
Despac adsorbent pack (pack : 5Kg)	-	-	DESPAC5WS
Front Panel	<b>A</b>	-	398H139370
Left side panel	<b>B</b>	-	398H137745
Right side panel	<b>C</b>	-	398H139371
Rear panel	<b>D</b>	-	398H139369

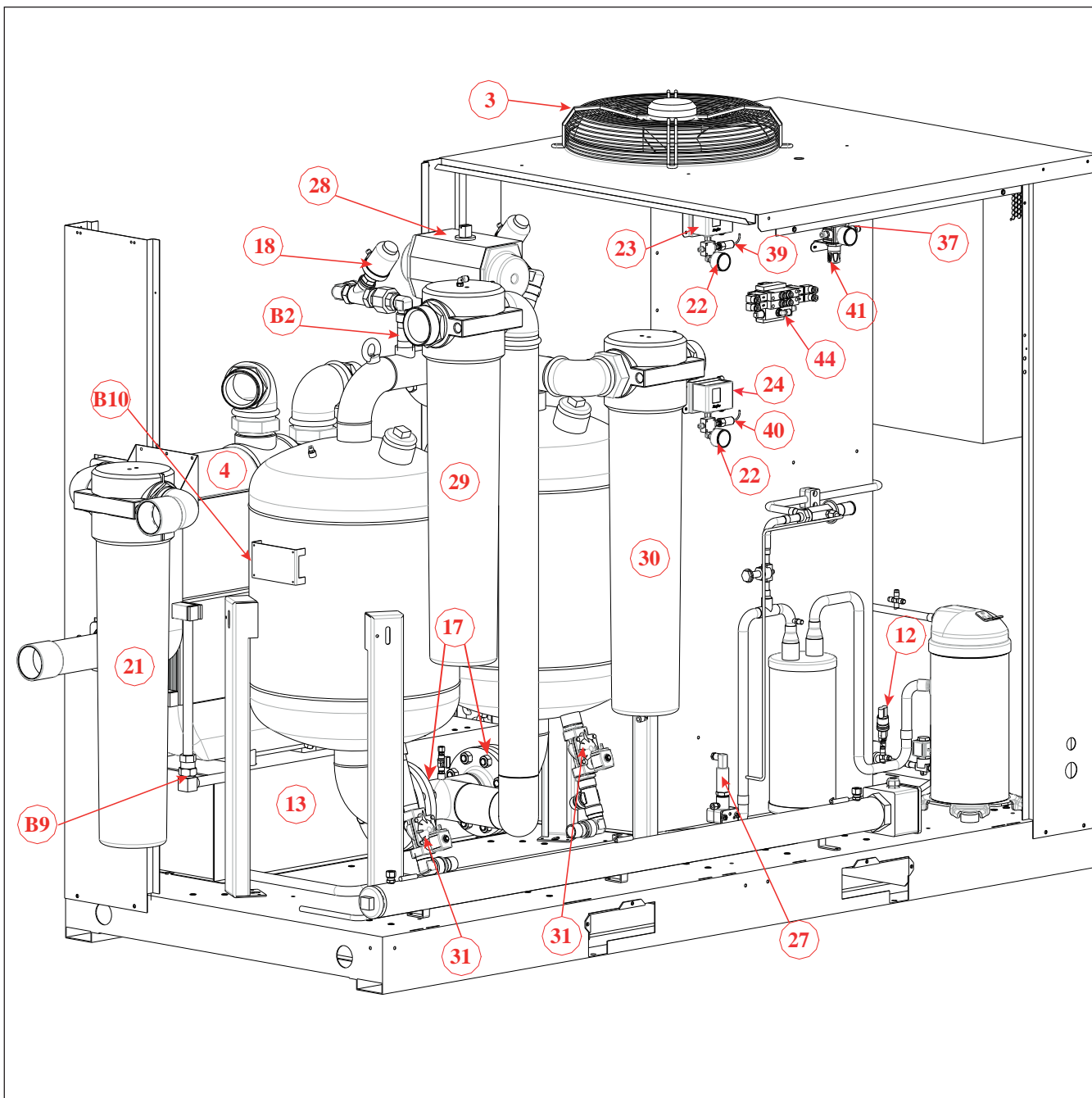
#### PREVENTIVE MAINTENANCE

Kit / component	Quantity	Pos.	ACTUAL CODE	REPLACEMENT
Filter element	1	<b>30</b>	CP4065XLP	Every 12 Month
	2	<b>29/33</b>	CP4065ZLP	Every 12 Month
Coil solenoid valve block 4pcs	1	<b>44</b>	RKESC-KE/KEN-230AV	Every 12 Month
Dew Point Sensor	1	<b>27</b>	ZHM100/450	Every 12 Month (recommended)
Solenoid valve kit	1	<b>17 / 18</b>	RKK10-K95/V1-V4	Every 12 Month
Wearing part valve block	1	<b>42</b>	RKK35-K95/40/VS	Every 24 Month
Wearing part no return valve block	1	<b>43</b>	RKK35-K95/40/VSRV	Every 24 Month
Coil for solenoid valve	4	<b>31/32/34</b>	398H254009	Every 48 Month
Coil for condensate drain solenoid valve	1	<b>13</b>	398H254055	Every 48 Month
Pressure Transducer	2	<b>39/40</b>	398H275305	Every 48 Month
Probe temperature (0/150°C)	2	<b>B2/B3</b>	398H275559	Every 48 Month
Thermal resistance	2	<b>B4/B5</b>	398H275893	Every 48 Month
Probe temperature (-50/50°C)	2	<b>B9/B10</b>	398H275895	Every 48 Month
Probe temperature (170°C)	3	<b>RT1/RT2/RT3</b>	398H275899	Every 48 Month
Despac adsorbent pack (pack : 5Kg)	8		DESPAC5WS	Every 48 Month
Silencer	1	<b>21</b>	398H291240	Every 48 Month (first time recommended after 12Month)



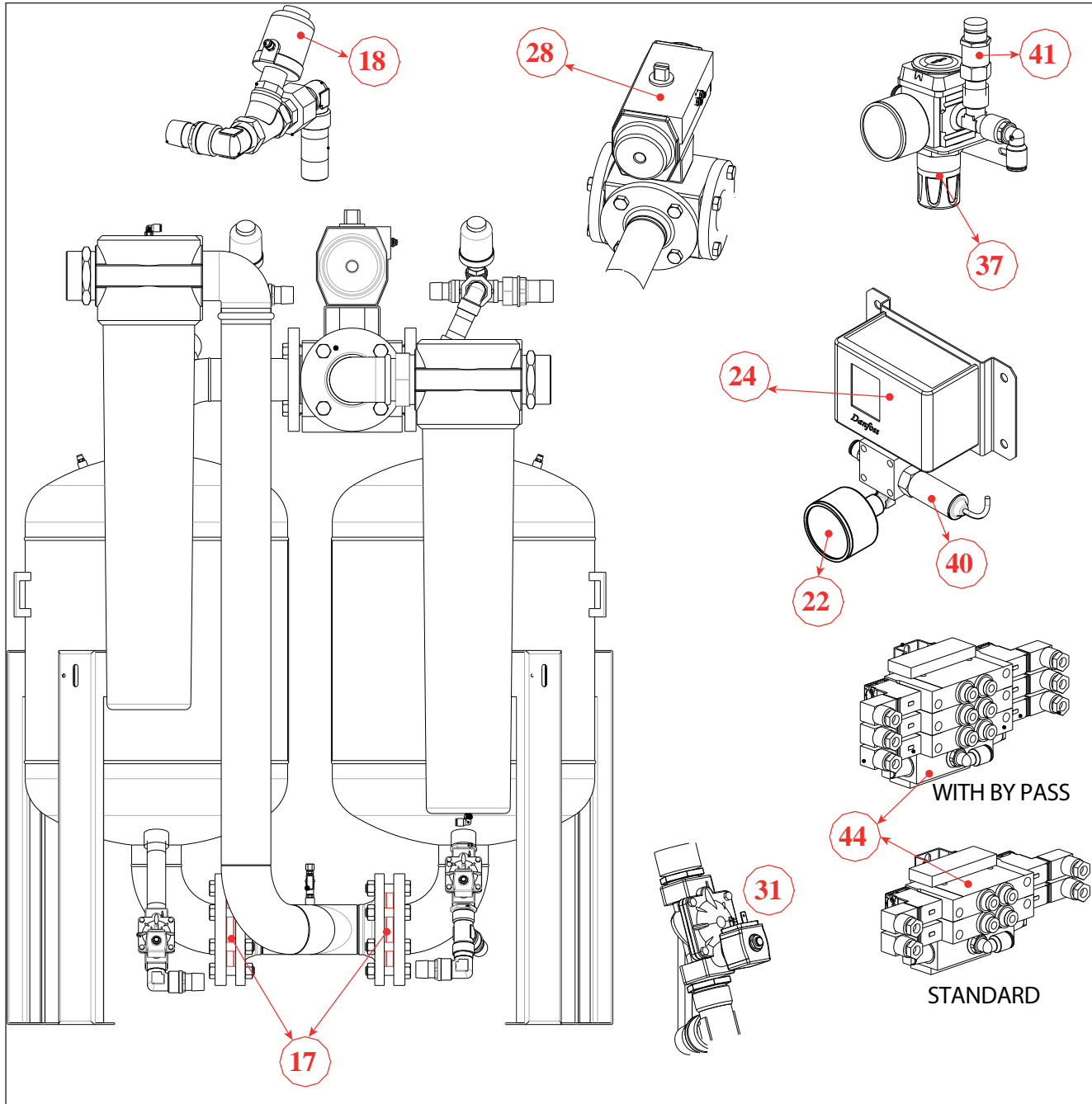
COMPONENTS	
Compressor	1
Refrigerant condenser	2
Refrigerant filter	7
Hot gas valve	8
Fan pressure switch	10
High pressure switch	11
Electrical heater kit	25
Coil ETV Discharge column , solenoid valve	31/32/34
Hot gas solenoid valve	32
Liquid solenoid valve	34
Flowmeter	38
Discharge refrigerant sensor	B3
Heater air outlet temperature sensor 1-2	B4/B5
Electronic control	A1
Display control	A2
Full protection heater	PI2
Main disconnect switch	QS





COMPONENTS

Fan motor	3
Evaporator/ Separator/ Air-air heat - exchanger	4
Safety low pressure switch	12
Condensate solenoid drain solenoid valve	13
No return valve	17
Air purge valve	18
Air filter element	21
Air pressure manometer	22
Low pressure switch	23/24
Dew point sensor	27
3-way valve	28
Dust filter element	29
Oil filter element	30
ETV Discharge column	31
Pressure regulator kit	37 / 41
Air pressure sensor column	39 / 40
Pneumatic valve	44
Purge air sensor	B2
Air inlet temperature probe	B9
Thermal mass temperature sensor	B10



COMPONENTS		
No return valve		17
Air purge valve		18
Air pressure manometer		22
Low pressure switch		23/24
3- Way valve		28
ETV Discharge column + Coil		31
Pressure regulator	pressure reducer + manometer	37
	Safety valve	41
Air pressure sensor column		39/40
Pneumatic valve without by-pass with by-pass		44

COMPONENTS	Pos.	OLD	ACTUAL CODE
Fridge compressor	1	-	398H147763
Refrigerant condenser	2	-	398H114796
Fan motor	3	-	398H473473
Evaporator	4	-	on request
Refrigerant filter	7	-	398H206223
Hot gas valve kit	7 / 8	-	398H473139
Electrical kit FU1-5 ÷ KA1 ÷ KM1 ÷ B2-B8 ÷ PI ÷ Coil	-	-	398H473487
Fan pressure switch	10	-	398H473682
High pressure switch	11	-	398H354052
Safety low pressure switch	12	-	398H354054
Condensate drain solenoid valve	13	-	398H698218
No return valve	17	-	398H378151
Air purge valve	18	398H378999Y030 (12/01/07-19/07/15)	PA25S1G6S063S
Air filter element	21	-	CP5080ZLP
Air pressure manometer	22	-	P3D-KAB1AHN
Low pressure manometer	23/24	-	398H354115
Electrical heater kit	25	-	398H471009
Dew point sensor	27	-	ZHM100/450
3-way valve seals PTFE kit spare sphere o-ring kit	28	-	398H378999Y031 on request on request on request
Dust filter element	29	-	CP5080ZLP
Oil filter element	30	-	CP5080XLP
ETV Discharge column	31	-	398H183111
Coil for solenoid valve	21/32/34	-	398H254009
Hot gas solenoid valve / Liquid solenoid valve	32/34	-	398H378734
Air purge silencer/filter	33	-	398H291240
By-pass valve	35	-	-

COMPONENTS	Pos.	OLD	ACTUAL CODE
Pressure regulator kit	<b>37/41</b>	-	398H473550
Flowmeter	<b>38</b>	-	398H275916
Air pressure sensor column	<b>39/40</b>	-	398H275305
Pneumatic valve without by-pass with by-pass	<b>44</b>	-	398H473551 398H473552
Full protection heater PI2	<b>PI2</b>	-	398H271336
Purge Air temperature sensor	<b>B2</b>	-	398H275559
Discharge refrigerant temperature sensor	<b>B3</b>	-	398H275559
Heater air outlet temperature sensor 1-2	<b>B4/B5</b>	-	398H275893
Ad inlet temperature sensor	<b>B9</b>	-	398H275895
Thermal mass temperature sensor	<b>B10</b>	-	398H275895
Probe temperature (170°C)	<b>RT1/2/3</b>	-	398H275899
Electronic control	<b>A1</b>	-	398H474092
Display control	<b>A2</b>	-	398H275793
Main disconnecter switch	<b>QS</b>	-	398H256419
Compressor/fan automatic switch/ Electrical heater auto- matic switch	<b>QF1</b>	-	398H256233
Electrical heater automatic switch	<b>QF2</b>	-	398H256233
Despac adsorbent pack (pack: 5 Kg)	-	-	DESPAC5WS
Front panel	<b>A</b>	-	398H139354
Left side panel/Front Left side panel	<b>B/1B</b>	-	398H139350
Back Left side panel	<b>2B</b>	-	398H139349
Right side panel/Condensate right side panel	<b>C/1C</b>	-	398H139346
Back Right side panel	<b>2C</b>	-	398H139348
Rear panel	<b>D</b>	-	398H139115
Fan Cover panel	<b>E/1E</b>	-	398H139345
Back Cover panel	<b>2E</b>	-	398H137347

**PREVENTIVE MAINTENANCE**

<b>Kit / component</b>	<b>Quantity</b>	<b>Pos.</b>	<b>CODE</b>	<b>REPLACEMENT</b>
Filter element	1	<b>30</b>	CP5080XLP	Every 12 Month
	2	<b>21/29</b>	CP5080ZLP	Every 12 Month
Dew Point Sensor	1	<b>27</b>	ZHM100/450	Every 12 Month (recommended)
Angle body valve	2	<b>18</b>	PA25S1G6S063S	Every 24 Month
Solenoid valve	2	<b>31</b>	398H183111	Every 24 Month
Coil for solenoid valve	4	<b>31/32/34</b>	398H254009	Every 24 Month
Coil for condensate drain solenoid valve	1	<b>13</b>	398H254055	Every 48 Month
Pneumatic control kit	1	<b>44</b>	398H473551	Every 48 Month
Pressure Transducer	2	<b>39/40</b>	398H275305	Every 48 Month
Probe temperature (0/150°C)	2	<b>B2/B3</b>	398H275559	Every 48 Month
Thermal resistance	2	<b>B4/B5</b>	398H275893	Every 48 Month
Probe temperature (-50/50°C)	2	<b>B9/B10</b>	398H275895	Every 48 Month
Probe temperature (170°C)	3	<b>RT1/2/3</b>	398H275899	Every 48 Month
Despac adsorbent pack (pack: 5 Kg)	15	-	DESPAC5WS	Every 48 Month
Silencer	1	<b>33</b>	398H291240	Every 48 Month (first time recommended after 12Month)

COMPONENTS	Pos.	OLD	ACTUAL CODE
Fridge compressor	1	-	398H147770
Refrigerant condenser	2	-	398H114797
Fan motor	3	-	398H473473
Evaporator	4	-	on request
Refrigerant filter	7	-	398H206223
Hot gas valve kit	7 / 8	-	398H473139
Electrical kit FU1-5 ÷ KA1 ÷ KM1 ÷ B2-B8 ÷ PI ÷ Coil	-	-	398H473487
Fan pressure switch	10	-	398H473682
High pressure switch	11	-	398H354052
Safety low pressure switch	12	-	398H354054
Condensate drain solenoid valve	13	-	398H698218
No return valve	17	-	398H378151
Air purge valve	18	398H378999Y030 (12/01/07-19/07/15)	PA25S1G6S063S
Air filter element	21	-	CP5080ZLP
Air pressure manometer	22	-	P3D-KAB1AHN
Low pressure manometer	23/24	-	398H354115
Electrical heater kit	25	-	398H471009
Dew point sensor	27	-	ZHM100/450
3-way valve seals PTFE kit spare sphere o-ring kit	28	-	398H378999Y031 on request on request on request
Dust filter element	29	-	CP5080ZLP
Oil filter element	30	-	CP5080XLP
ETV Discharge column	31	-	398H183111
Coil for solenoid valve	21/32/34	-	398H254009
Hot gas solenoid valve / Liquid solenoid valve	32/34	-	398H378734
Air purge silencer/filter	33	-	398H291240
By-pass valve	35	-	-

<b>COMPONENTS</b>	<b>Pos.</b>	<b>OLD</b>	<b>ACTUAL CODE</b>
Pressure regulator kit	<b>37/41</b>	-	398H473550
Flowmeter	<b>38</b>	-	398H275916
Air pressure sensor column	<b>39/40</b>	-	398H275305
Pneumatic valve without by-pass with by-pass	<b>44</b>	-	398H473551 398H473552
Full protection heater PI2	<b>PI2</b>	-	398H271336
Purge Air temperature sensor	<b>B2</b>	-	398H275559
Discharge refrigerant temperature sensor	<b>B3</b>	-	398H275559
Heater air outlet temperature sensor 1-2	<b>B4/B5</b>	-	398H275893
Ad inlet temperature sensor	<b>B9</b>	-	398H275895
Thermal mass temperature sensor	<b>B10</b>	-	398H275895
Electronic control	<b>A1</b>	-	398H474092
Display control	<b>A2</b>	-	398H275793
Main disconnect switch	<b>QS</b>	-	398H256419
Compressor/fan automatic switch/ Electrical heater auto- matic switch	<b>QF1</b>	-	398H256233
Electrical heater automatic switch	<b>QF2</b>	-	398H256233
Despac adsorbent pack * (pack: 5 Kg)	-	-	DESPAC5WS
Front panel	<b>A</b>	-	398H139354
Left side panel/Front Left side panel	<b>B/1B</b>	-	398H139350
Back Left side panel	<b>2B</b>	-	398H139349
Right side panel/Condensate right side panel	<b>C/1C</b>	-	398H139346
Back Right side panel	<b>2C</b>	-	398H139348
Rear panel	<b>D</b>	-	398H139115
Fan Cover panel	<b>E/1E</b>	-	398H139345
Back Cover panel	<b>2E</b>	-	398H137347

## PREVENTIVE MAINTENANCE

Kit / component	Quantity	Pos.	ACTUAL CODE	REPLACEMENT
Filter element	1	30	CP5080XLP	Every 12 Month
	2	21/29	CP5080ZLP	Every 12 Month
Dew Point Sensor	1	27	ZHM100/450	Every 12 Month (recommended)
Angle body valve	2	18	PA25S1G6S063S	Every 24 Month
Solenoid valve	2	31	398H183111	Every 24 Month
Coil for solenoid valve	4	31/32/34	398H254009	Every 24 Month
Coil for condensate drain soleniod valve	1	13	398H254055	Every 48 Month
Pneumatic control kit	1	44	398H473551	Every 48 Month
Pressure Trasduter	2	39/40	398H275305	Every 48 Month
Probe temperature (0/150°C)	2	B2/B3	398H275559	Every 48 Month
Thermal resistance	2	B4/B5	398H275893	Every 48 Month
Probe temperature (-50/50°C)	2	B9/B10	398H275895	Every 48 Month
Probe temperature (170°C)	3	RT1/RT2/RT3	398H275899	Every 48 Month
Despac adsorbent pack	19		DESPAC5WS	Every 48 Month
Silencer	1	33	398H291240	Every 48 Month (first time recommended after 12Month)