

Spare parts
Hyperchill
ICE
(50Hz)

(Date 04.03.15)

Index

GENERAL TERMS OF SALES.....	2
ICE003-005	5
ICE007-010	8
ICE015-057 (STANDARD-PRECISION CONTROL).....	12
ICE076-116 (STANDARD-PRECISION CONTROL).....	19
ICE150-230 (STANDARD-PRECISION CONTROL).....	25
ICE310-360	31

Introduction

The following shall be regarded as the general terms of sale between Parker Hiross (Seller) and Purchaser. None of these terms may be added to, modified, superseded or otherwise altered by Purchaser, unless specifically agreed to, in writing and signed, by Seller. These terms shall, accordingly, supersede and modify any terms that may be contained in any letter or other from Purchaser. They also supersede any oral representations made by either party in connection with the transaction.

Validity

This "Parker Hiross Master Price List" cancels and supersedes all previous Parker Hiross Price Lists. Prices are valid starting from the date indicated in the Price List. This Price List is valid until written notice to the contrary, or the emission of a new Price List. Technical data contained in this publication is to be considered as indicative only. The manufacturer reserves the right to modify technical data at its own discretion and without prior notice.

Quotation

Seller has the right, at any time and even after the order, to make alterations to, or with draw (prior to order confirmation), its offers. Prices quoted shall always be regarded as indicative only.

Acceptance of order

Orders shall be regarded as accepted by Seller only after issuing the respective order confirmation. Seller's charges for cancelling booked and confirmed orders shall range up to 100% of the net order value, depending on completeness of the equipment and its reclamation value. Minimum accepted value for an individual order shall be Euro 200, or the equivalent in other currencies. Orders for lower values will be subject to a Euro 100 (or the equivalent in other currencies) order processing charge.

Price

Price shall be as stipulated in the order confirmation. All non Euro prices are nonetheless calculated from the Euro price, and then rounded to the nearest full digit. As a result there may be a minor difference between the listed and invoiced prices. In the event no price is stipulated, equipment shall be charged at Seller's prevailing Price list. Unless otherwise agreed, in writing, price shall be ex Seller's factory, with standard packing.

Seller reserves the right to modify prices at the confirmation of the order to Purchaser. If the confirmed price increase exceeds 5 (five) percentage points, Purchaser has the right to withdraw from the contract, upon written notice addressed to Seller within 2 (two) days from the date of the receipt of the communication concerning the price adjustment. Upon the expiration of such term, or with the acceptance of the goods' delivery by Purchaser, the adjustment is deemed to be accepted and binding between the parties.

The Price shall be valid for delivery as per the date agreed in the order confirmation. If Purchaser requests (in writing) any delay in shipping of the equipment, Seller will reserve the right to revise the price.

Changes to booked and confirmed orders shall be subject to a minimum net service charge corresponding to Euro 100 (or the equivalent in other currencies), to cover changes in documents. This charge may be increased, depending on order status and nature of requested modification.

Delivery

The delivery date shall be as indicated in the order confirmation. The delivery terms, indicated in the order confirmation, are to be considered as part of this General Terms of Sale. Acceptance of shipment by a common carrier or allocation of equipment to Purchaser shall constitute delivery. Thereupon responsibility shall pass to Purchaser, subject to Seller's right of stoppage in transit. Where a trade term has been agreed, it shall be interpreted in accordance with the INCOTERMS in force at time of contract. If no trade term is specifically agreed delivery shall be considered to be ExWorks. Unless expressly specified in the INCOTERMS, goods in transit always travel at Purchaser's risk. Purchaser will bear all costs involved in removing the goods from Seller's premises. Delivery of all or any part of the order is contingent upon Seller's ability to obtain supplies, raw materials and service through its regular sources of supply. Should Seller, temporally or permanently, be unable to deliver the products for reasons not imputable to the same such as force majeure, (e.g. earthquake, strikes, lockout, lack of means of transportation, authority ordinance, floods, etc.) it will be released from all delivery and indemnification obligations towards Purchaser for the entire duration of the period in which the impediment and its effects last. Upon the occurrence of such impediment, Seller will promptly inform Purchaser thereof. In the aforesaid cases, delays in delivery shall not give any right to Purchaser to claim for damages or to cancel the order. Delivery time shall commence from the date of the order confirmation, but not before Seller having received, from Purchaser, all necessary drawings and approvals, if any, or down payment. Partial deliveries shall not be refused by Purchaser and will be paid for at contract prices and terms. If the delay, not caused by an event of force majeure, exceeds 90 (ninety) days, Purchaser will be allowed to cancel the outstanding part of the order. Each party may terminate the purchase agreement in the event that its effects, due to events mentioned above, becomes excessively onerous and therefore the contract is no longer of interest for such party. If Seller performs the installation of goods, Purchaser will have to take care of and preserve the delivered goods, until the completion of installation. Purchaser shall pick up the purchased products at the dates agreed, unless otherwise agreed between the parties. Purchaser's requests in this regard shall be taken into consideration by Seller, provided that Purchaser has made its request at least 30 (thirty) days before the original delivery date. If Purchaser does not pick up the purchased goods at the agreed date, Seller will have the right to invoice and receive payment for any equipment not picked up. The costs of storage will be born by Purchaser.

Reserve of property

All goods supplied shall remain property of Seller until such time as full payment will have been received from Purchaser in settlement of all pertaining Seller's invoices. Cheques and bills of exchange issued by Purchaser will be considered as payment only after having been cashed by Seller's bank.

Claims and complains

Purchaser shall inspect the delivered goods and notify Seller, in writing and within 8 (eight) days from the delivery date, of defects found or that may be found upon a preliminary inspection, or any other claim related to the goods. Should Purchaser fail to make such notification, the goods shall be deemed as definitely accepted and in compliance with what set forth in the contract, without being prejudicial to the possibility to report any hidden defect, assuming this is within the warranty period; in any case the notification of the defects must be communicated within 8 (eight) days from the discovery thereof. If the received goods have been damaged during transit, Purchaser will have to highlight this on the C.M.R. or on the Delivery note. Expenses related to the shipment of any eventual returns shall be borne by Purchaser. Possible objections concerning part of the goods delivered, or a single shipment of the same, shall have no effect on the rest of the order, nor on the payment of goods already received and not promptly challenged.

Payment

Payment shall be upon those terms agreed to by Purchaser and Seller. In the event there is no agreement, payment shall be by Cash in Advance. Failure by Purchaser to effect payment at due date will result in Seller cancelling all express warranties, not with standing taking recourse to remedies provided by the law. In case of delayed payment, Purchaser will automatically be charged interest calculated pursuant to the Italian decree no. 231/2002, without the need for any notice of default. In the instance of equipment held subject to Purchaser's instructions, equipment for which Purchaser has failed to supply shipping instructions, or in any case where Seller, in its own sole discretion, determines any part of the equipment purchased by Purchaser should be held for Purchaser's account, Seller may invoice the equipment and Purchaser agrees to make payment at the maturity of the invoice so rendered. Equipment invoiced held at any location, for whatever reason, shall be at Purchaser's risk and Seller may charge for insurance and storage at prevailing rates.

Resolution of contract

The terms of payment are fundamental elements, and any default in payments or any unilateral change constitutes the right of withdrawal for Seller to stop deliveries and consider any supply agreement as rescinded without notice, intimation or other. The same is valid for Seller in the event of changes in the economic-property conditions of Purchaser (Art. 1461 C.C.).

Drawings and installation details

Drawings, models and instructions for the installation of equipment supplied are the exclusive property of Seller; Purchaser cannot pass these to any third party. Seller shall not warrant the correctness of drawings which have not been certified by Seller. Certified drawings shall only be available upon written request from Purchaser, and shall be charged at a price to be agreed upon. Seller reserves the right to, at any time prior to delivery of certified drawings to Purchaser, make any changes in model or design of equipment, including components thereof.

Warranty

Seller warrants to Purchaser all equipment to be free from defects in material and workmanship for a period not exceeding 1 year from the date of installation of the equipment, but for a maximum of 18 months from the shipping date. This obligation is limited to repairing and replacing, at Seller's factory, any part found faulty during said period, with the following limitations:

- a) Warranty is effective only if equipment has been installed, commissioned and maintained in accordance with Seller's instructions (Parker Hiross User Manual) and, where necessary, connected to adequate electric, water and drain services, cleaned out correctly and placed into operation by a qualified technician. The effects of erosion, corrosion and normal wear-and-tear are specifically excluded from this warranty.
- b) Seller reserves the right to, for specific products grant warranty terms only on the condition that Commissioning has been performed by Seller's Service personnel or, failing this, Service personnel authorised by Seller beforehand. In the latter case the relevant Commissioning Report must be compiled by the authorised Service personnel and sent to Seller. Failure to adhere to this procedure will result in loss of warranty.
- c) Seller reserves the right to replace a product under warranty, and will accept no costs as to the removal and installation of the products.
- d) Seller reserves the right to change or improve the design of its products without assuming any obligation to modify any product previously manufactured.
- e) Poor maintenance or improper use will result in loss of warranty.
- f) Seller shall not assume responsibility for any labour expenses incurred by Purchaser in replacing or changing defective parts or equipment covered by this warranty.
- g) This warranty is granted to original Purchaser only and cannot be transferred, unless authorised in writing by Seller. Purchaser shall notify Seller of a defect within a maximum of 8 (eight) days from the discovery thereof, and in no case later than 8 (eight) days after expiry of the above stated warranty. Purchaser will notify fault by filling out the "Passport", as distributed by Seller.

Any claims against this warranty must be substantiated at the time the fault arises, and it will be at Seller's discretion to:

- h) Supply replacement parts ex-works Seller's factory,
 - or ii) repair parts locally, with travel/living/labour expenses at Purchaser's charge,
 - or iii) authorise Purchaser to have components repaired locally,
 - or iv) authorise Purchaser to buy replacement parts locally,
 - or v) require Purchaser to return damaged parts to Seller, prepaid, for repairs.

Seller has the right to ask for components, claimed as being faulty, to be returned to its factory, transport prepaid, for inspection, or to request Purchaser to keep these parts in stock for eventual inspection by Seller's representative. Seller is not obliged to make any guarantee payments before having had the opportunity to verify said claim in either manner described above. Any requests from Purchaser founded on the warranty clause or on asserted non-fulfilment thereof on the part of Seller or others shall not in any manner authorise Purchaser to delay or modify the agreed payment terms.

Warranty waiver

This is a written agreement between Seller and Purchaser, representing an alternative to the Warranty described previously. Should this agreement exist, Seller will grant Purchaser a 2% discount (included in the discount communicated by Seller to Purchaser) on the price of the products; in exchange Purchaser accepts to take over all costs which, according to the previous chapter, should be covered by Seller. QSR and LCD dryers, and eventually special products not listed in the present Master Price List, do not fall under the warranty waiver agreement, remaining with the previously described warranty. These costs include (but are not limited to):

- a) Costs arising from machine break down or malfunctioning due to faulty components (i.e. electrical defects on compressors, faulty pressure switches, defective control panels, etc.).
- b) Costs resulting from repair of isolated faults, not detected during quality controls, or any related secondary damage (i.e. incorrect wiring, leaks, etc.).

The only costs to be considered not covered by Warranty Waiver discount are the costs connected to rectifying clear defects resulting from design faults in equipment, as shown by recurring defect patterns on an international scale. In this case Seller will recognize to Purchaser the cost ExWorks of the faulty component, plus the labour cost to repair the equipment. Seller will evaluate the labour cost on a case-by-case basis.

Liability for damage to property or other caused by goods

Purchaser shall indemnify and hold Seller harmless for any damage caused by equipment to:

- a) any (movable or immovable) property, where damage occurs while equipment is in Purchaser's possession, or
- b) products manufactured by Purchaser, or products of which Purchaser's products form a part, or for loss or damage to any property, where damages caused by these products because of properties in the equipment.

Seller shall under no circumstances be liable for loss of production, loss of profit, or any other consequential economic loss. The above is valid both within and after the warranty period.

Invalidity of provisions

If any of these terms shall be held invalid, illegal or unenforceable, the validity of remaining provisions shall not in any way be affected or impaired thereby.

Individual contracts

For all individual contracts stipulated between Seller and Purchaser, any terms within these General Terms of Sale which are not covered in the individual contract will remain valid.

Privilege

Seller reserves the faculty to, in case of extended payment (even partial), make use of the right of privilege (art. 2762 C.C.). The right of privilege maintains its full validity even in the event of a change in the agreed payment conditions or concessions or extension, given that these events, under explicit agreement of Purchaser, do not constitute an extension of credit, with the present terms of sale remaining unchanged. In any case, the effects of Purchaser do not affect the credit situation and are reserved and accepted for cash convenience and without any prejudice of Seller's rights.

Intellectual property

Trademarks, commercial names or other distinctive marks on the goods are of exclusive property of Seller, and will not be altered, changed, removed or cancelled in any manner. Purchaser can use, to the limited purpose of resale of the goods to the public, the trademarks, commercial names and other distinctive marks, as well as other industrial exclusive rights or Know-how associated with the goods, which nonetheless remain the exclusive property of Seller. Any other utilization of the Intellectual Property, if not expressly granted by Seller in writing, will be considered a violation of the aforementioned exclusive rights of Seller, also under the profile of the contractual responsibility, and will be prosecuted.

Confidentiality

These Conditions, all Orders and any other information or material supplied by (or on behalf of) one party to the other are strictly confidential and will not be disclosed (in whole or in part) to any other person without the disclosing party's prior written consent. The receiving party will not make use of the disclosing party's name, or any other information contained in these Conditions (or supplied pursuant to them), for publicity purposes without the disclosing party's prior written consent.

Privacy

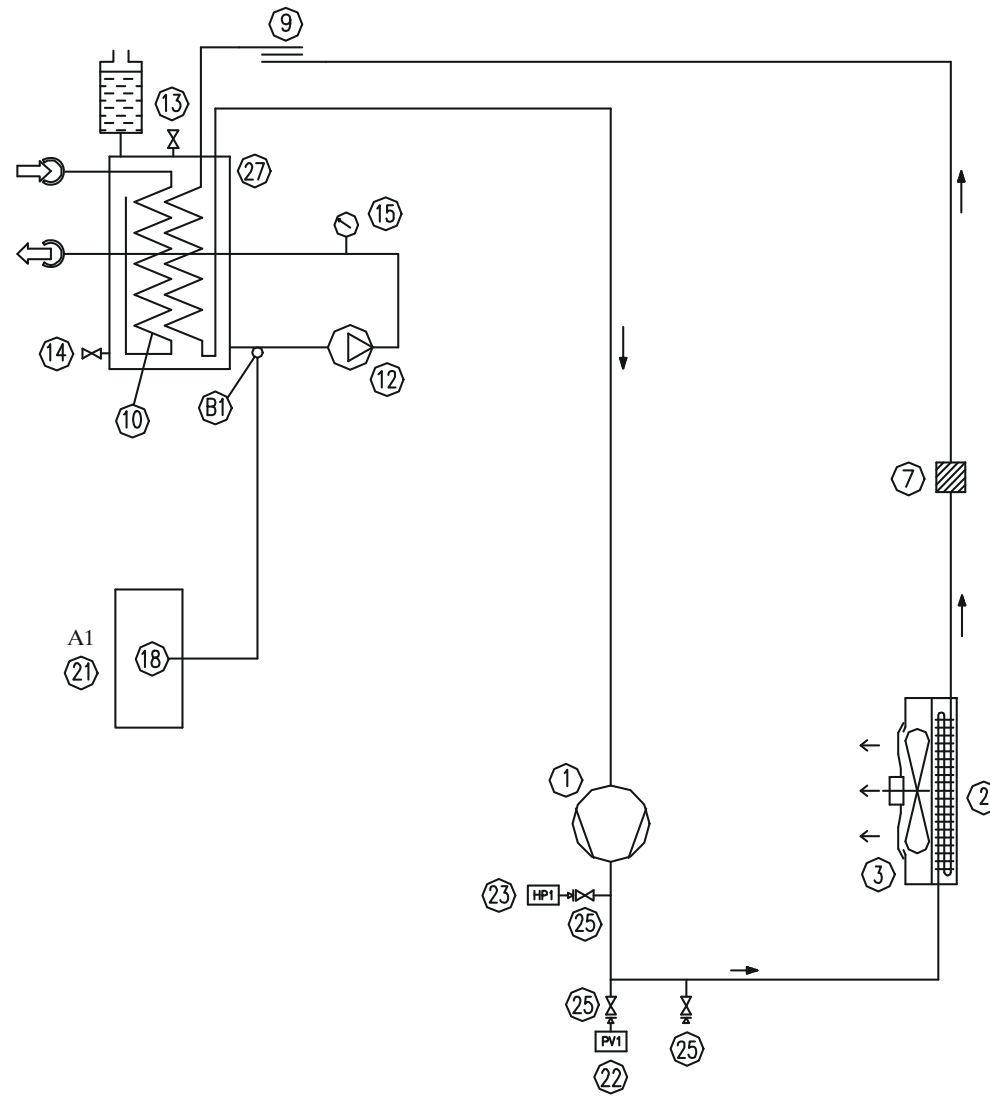
Purchaser declares to be aware that all data communicated will be handled and utilized exD. Lgs. 196/2003, according to what better specified in the a later agreement of the sales contract.

Disputes

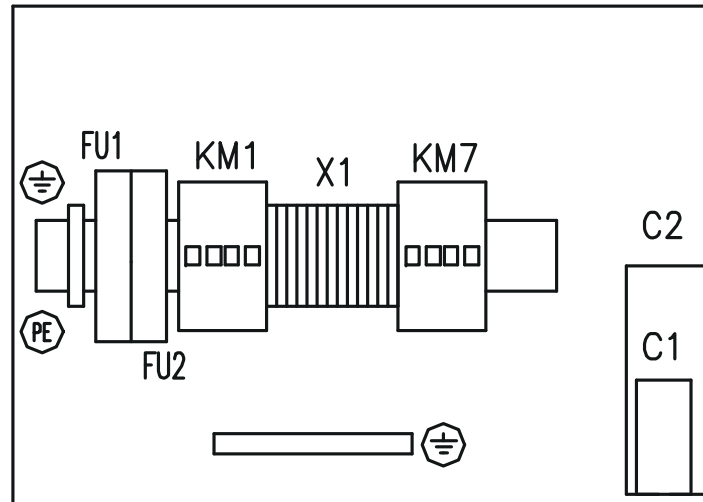
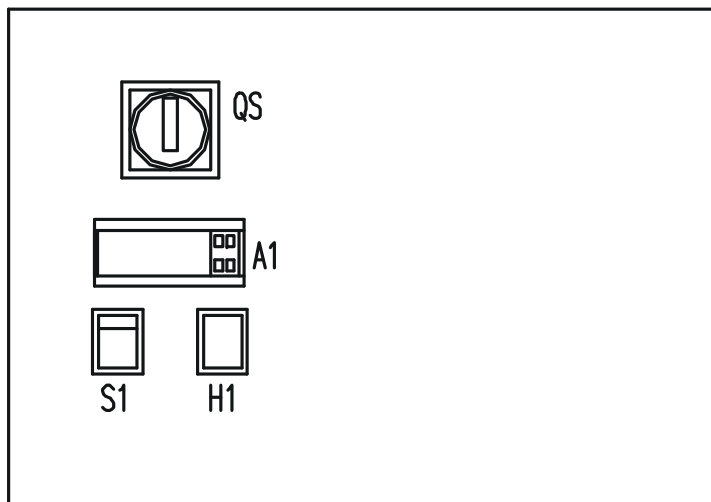
All disputes arising from or in connection to the contract shall be judged according to Italian law. The Court of Padua (Italy) shall have the exclusive jurisdiction.

COMPONENT	POSITION	ICE003	ICE005
3 year repair kits	⑱ ⑳㉑ KM1 KM2 C2	398H473200	
1. compressor kits	① ⑦ KM1	398H473210	398H473211
2. fan kits	③	398H473251	-
	③ C2		398H473474
3. pump kits (P30 - 3 barg)	⑫ KM7	398H473411	
4. electrical kits	-	398H785214	398H785215
5. fan pressure switch kit	⑳	398H473682	
refrigerant condenser	②	398H114739	398H114736
refrigerant filter	⑦	398H206219	
tank / evaporator (open)	⑩ ㉒	398H339158	398H339157
tank / evaporator (pressure)	⑩ ㉒	398H339160	398H339161
water manometer	⑮	398H354039	
water outlet temperature sensor	⑱	398H275171	
electronic control	㉑	398H275654	
high pressure switch	㉓	398H354237	
main switch	QS	398H256431	
electronic control card on-off	S1	398H255133	
alarm signal lamp	H1	398H255139	
tank/pump connection for suction and discharge	-	398H251052	

Diagram circuit



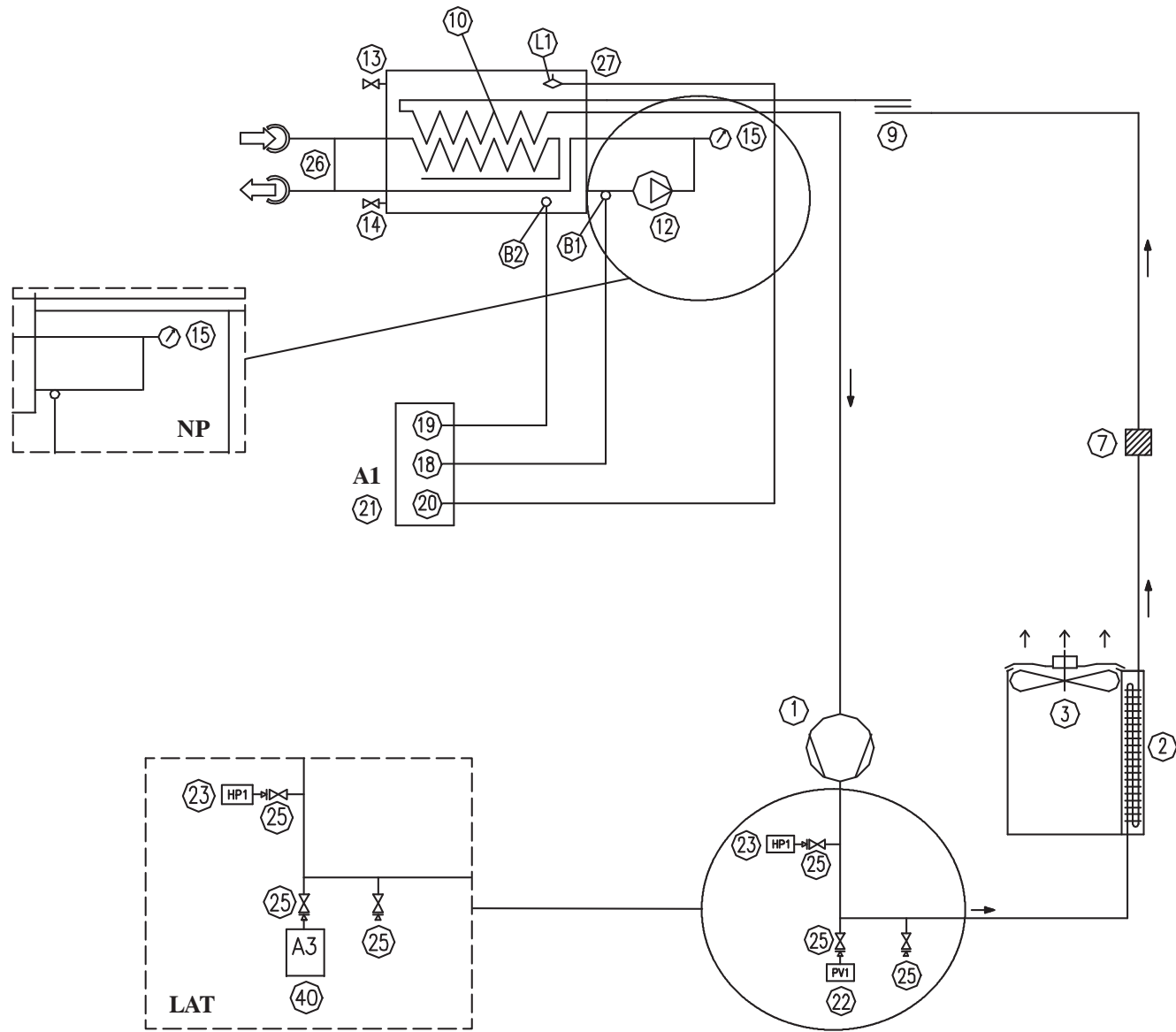
Electrical pannel



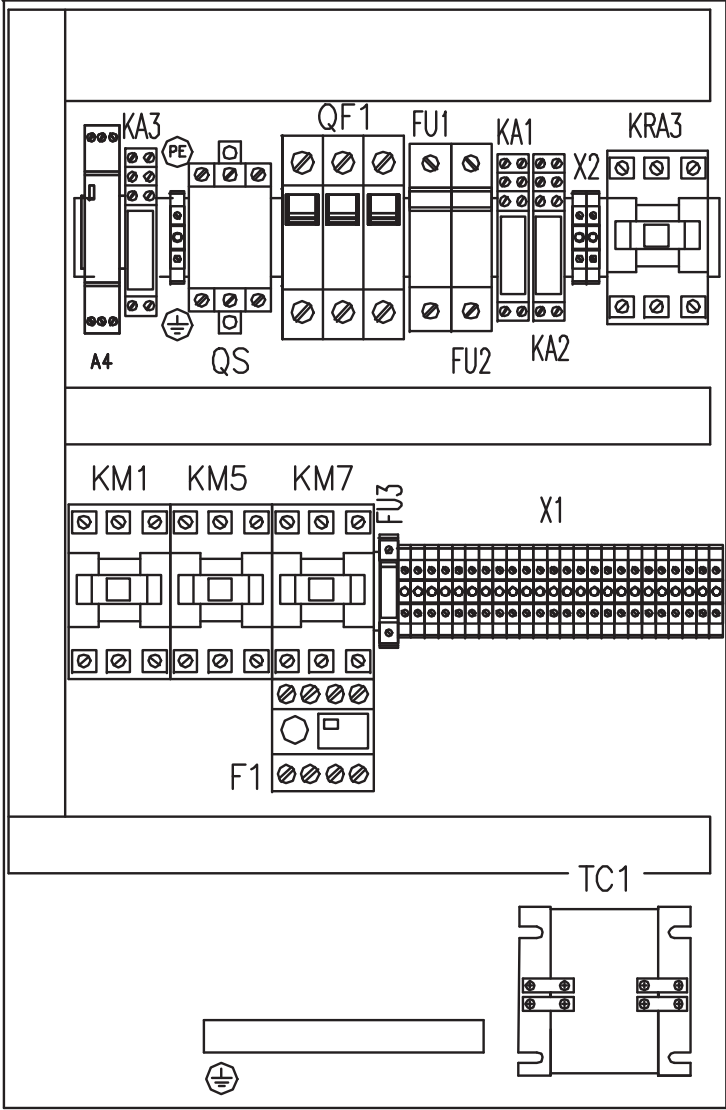
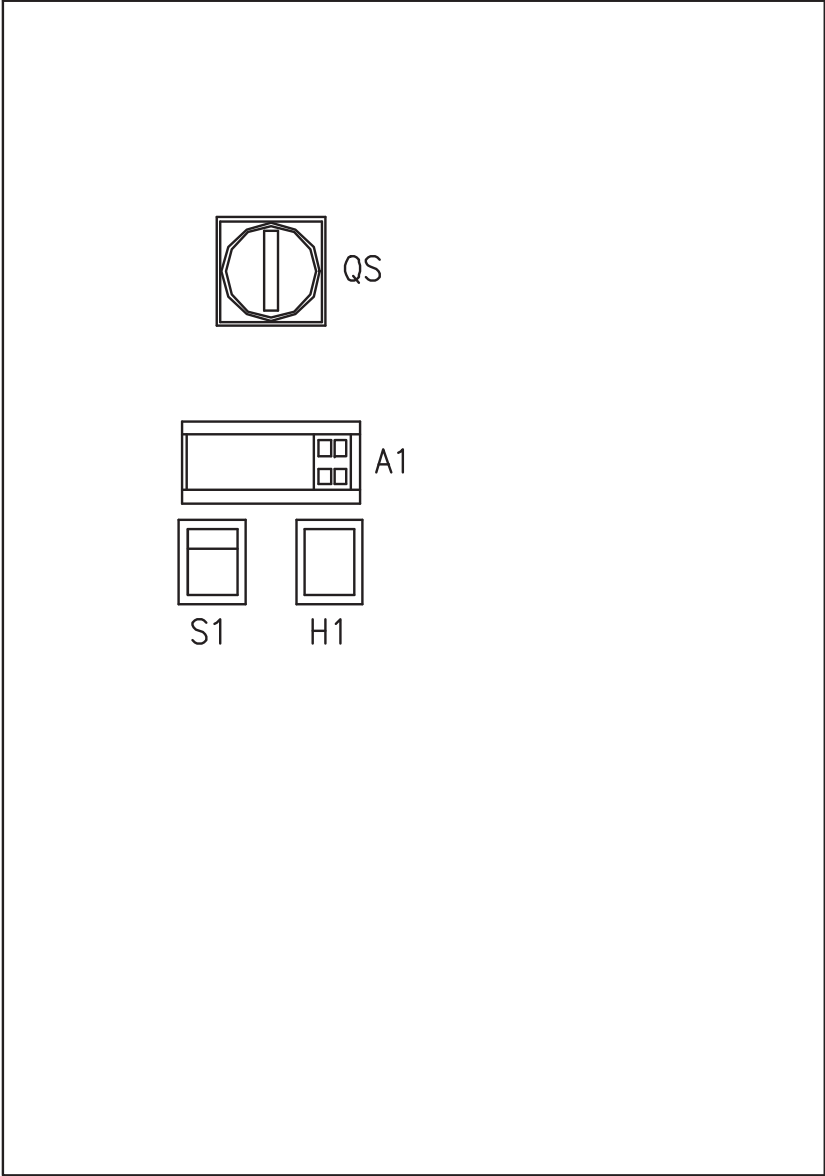
COMPONENT	POSITION	ICE007	ICE010
3 year repair kits	⑱ ⑲ ⑳ ㉑ ㉒ KM1 KM5 KM7	398H473201	
1. compressor kits	① ⑦ KM1	398H473212	398H473213
2. fan kits	③ KM5	398H473042	
3. pump kits (P30 - 3 barg)	⑫ KM7, F1	398H473234	
4. electrical kit	-	398H785216	
5. fan pressure switch kit	⑫	398H473682	
refrigerant condenser	②	398H114761	398H114762
refrigerant filter	⑦	398H206226	
tank / evaporator	⑩ ⑳	398H339159	
pump P15 (1.5 barg)	⑫	398H303271	
pump P50 (5 barg)		398H303275	
water manometer	⑮	398H354039	
water outlet temperature sensor / evaporator sensor	⑱ ⑲	398H275171	
water level sensor	⑳	398H275924	
electronic control	㉑	398H275744	
high pressure switch	㉒	398H354052	
main switch	QS	398H256416	
electronic control card on-of	S1	398H255133	
alarm signal lamp	H1	398H255168	
pump thermal relay - P15 (1.5 barg)	F1	398H256224	
pump thermal relay - P50 (5 barg)		398H256225	

COMPONENT	POSITION	ICE007	ICE010
compressor/fan/pump automatic switch	QF1	398H256232	
auxiliary transformer	TC1	398H255866	
tank/pump connection for suction and discharge	-	398H251052	

Diagram circuit



Electrical pannel



Component	(7.4 / 7.5)	ICE015	ICE022	ICE029	ICE039	ICE046	ICE057
3 year repair kits (Axial)	⑱ ⑲ ⑳ ㉒ ㉓ ㉔ KM1 KM5 KM7	398H473202		398H473203		398H473204	
1. compressor kits	① ⑦ KM1	398H473214	398H473711	398H473712	398H473713	398H473714	398H473735* 398H473737
2. fan kits (Axial)	③ KM5	398H473230		398H473229	398H473230		
3. pump kits (P30 - 3 barg)	⑫ KM7, F1	398H473235	398H473236			398H473237	
4. expansion valve kit	⑦ ⑧	398H378803	398H473242	398H473243	398H473244	398H474134	398H473245
5. electrical kit	-	398H785217		398H785219		398H785220	
refrigerant condenser	(Axial)(Centrifugal)	398H114761	398H114763	398H114818	398H114819	398H114820	398H114821
	(Water)	-		398H186186			398H186187
fan motor (Centrifugal)	③	-		398H381605			
sigh glass	⑥	398H348021		398H348024			
refrigerant filter	⑦	398H206221		398H206224			398H206225
tank / evaporator	⑩ ⑳	398H510980	398H510981	398H510982		398H510983	398H510984
pump	P15 (1.5 barg)	398H303242	398H303243	398H303244			
	P50 (5 barg)	398H303249	398H303287		398H303262		398H303277
water manometer	⑮	398H354039					
refrigerant suction manometer	⑯	398H354038					
refrigerant discharge manometer	⑰	398H354038					
water outlet temperature sensor	⑱	398H275233				398H275235	
evaporator temperature sensor	⑲	398H275233				398H275235	
water level sensor	⑳	398H275924					

Component	(7.4 / 7.5)	ICE015	ICE022	ICE029	ICE039	ICE046	ICE057
electronic control (cpt)	②1	398H474003					
		398H474001					
fan pressure switch kit (PV1) (Axial)(Centrifugal)	②2	398H473682					
fan pressure switch (PV2-3) (Centrifugal)	②2	-	398H354119				
high pressure switch	②3	398H354052					
low pressure switch	②4	398H354054					
electrovalve	②8	-					398H183104
water pressostatic valve (Water)	③3	-	398H378204				
hot gas solenoide valve 1	③6	398H183108	398H183104				
hot gas solenoide valve 2	③7	398H183108	398H183104				
local display	A2	398H275698					
main diconnector switch	QS	398H256406	398H256423				
compressor automatic switch	QF1	398H256234	398H256238	398H256242			
fans/pump automatic switch	QF5	398H256230	398H256231			398H256233	
fans automatic switch (Centrifugal)	QF6	-	398H256231				
fan softstart	QM1-2-3	-	398H256456				
high pressure alarm relay	KA1	398H256152					
pump thermal relay P15 (1.5 barg) P50 (5 barg)	F1	398H256224		398H256225			
		398H256226	398H256227				
antifreeze heater contactor	KRA1	398H256243					
plastic capillary	-	398H370004					
		398H370005	-	398H370005			

* until manufacturing date (January /2013)

Diagram circuit

ICE015-057 (Axial)

ICE015-057 CPT (Axial)

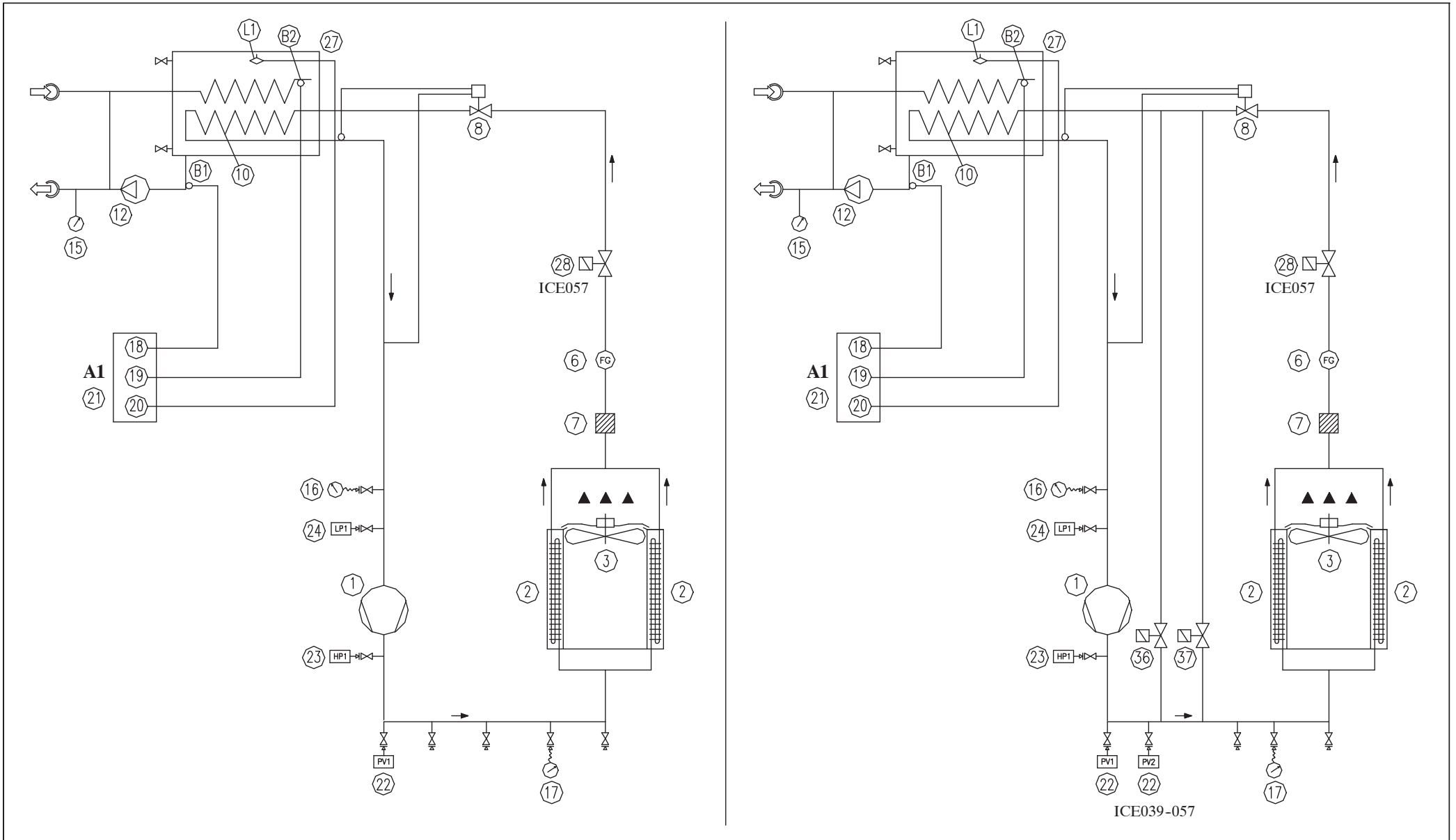


Diagram circuit

ICE029-057 (Centrifugal)

ICE029-057 CPT (Centrifugal)

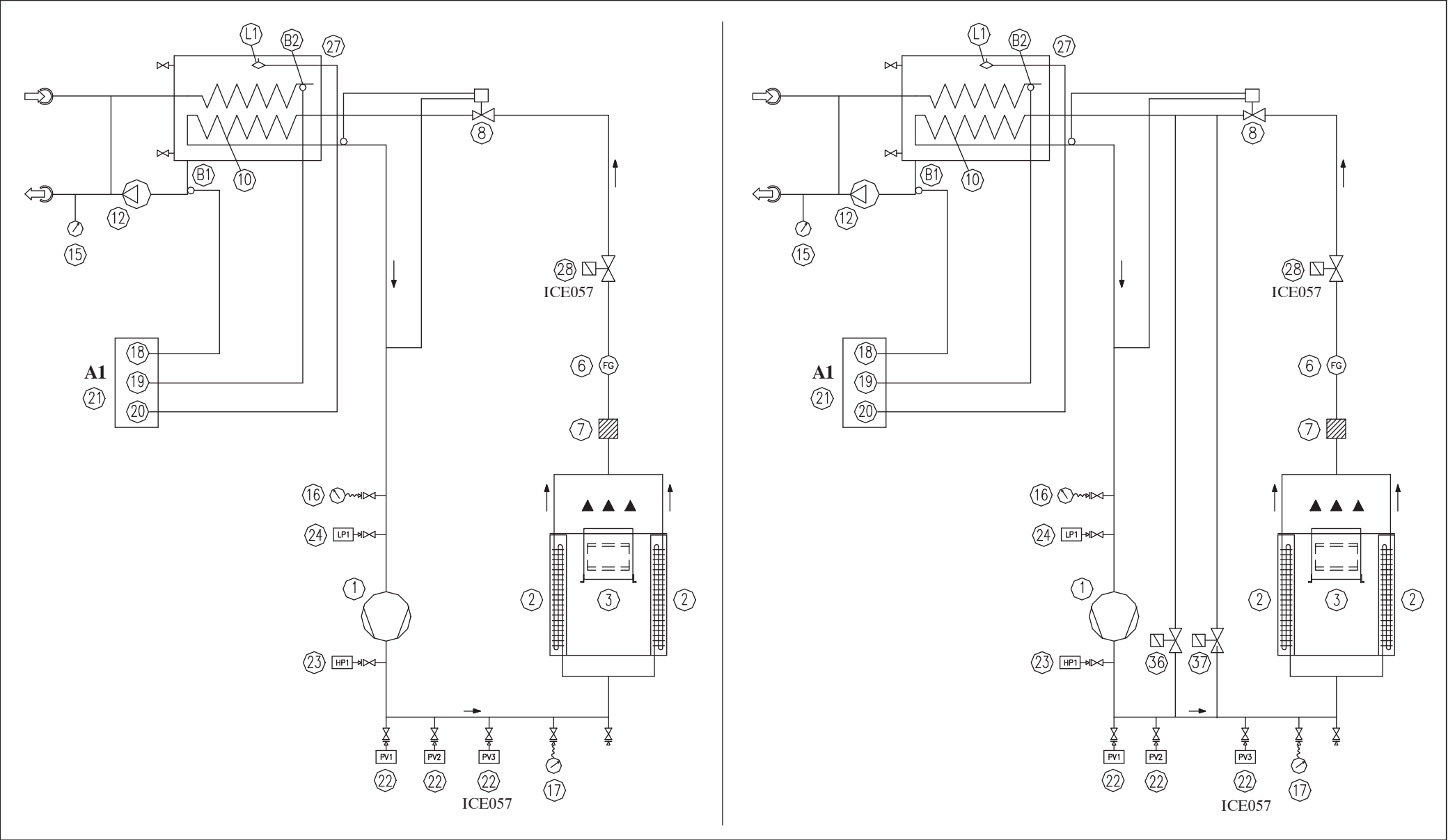
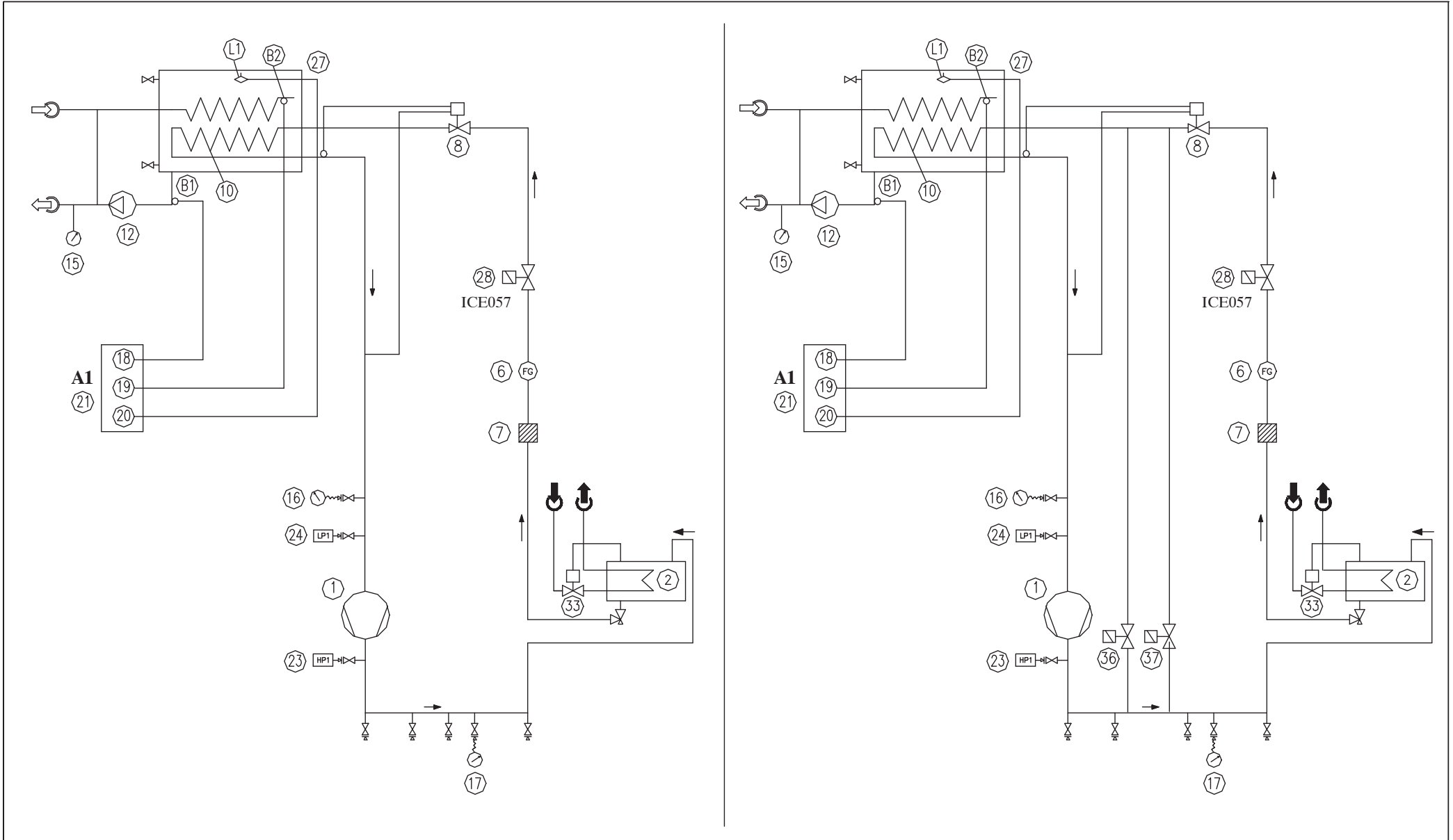


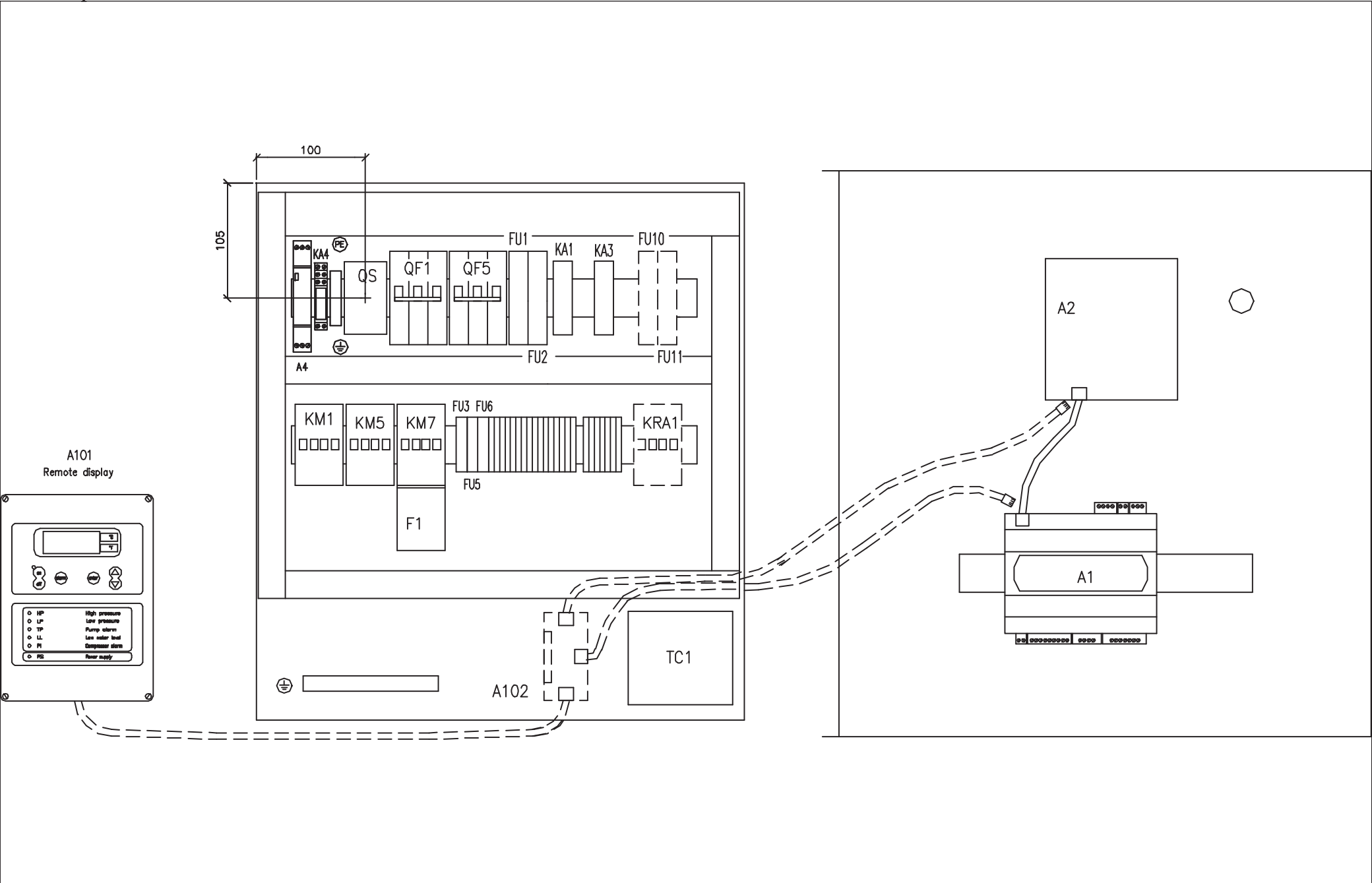
Diagram circuit

ICE029-057 (Water)

ICE029-057 CPT (Water)

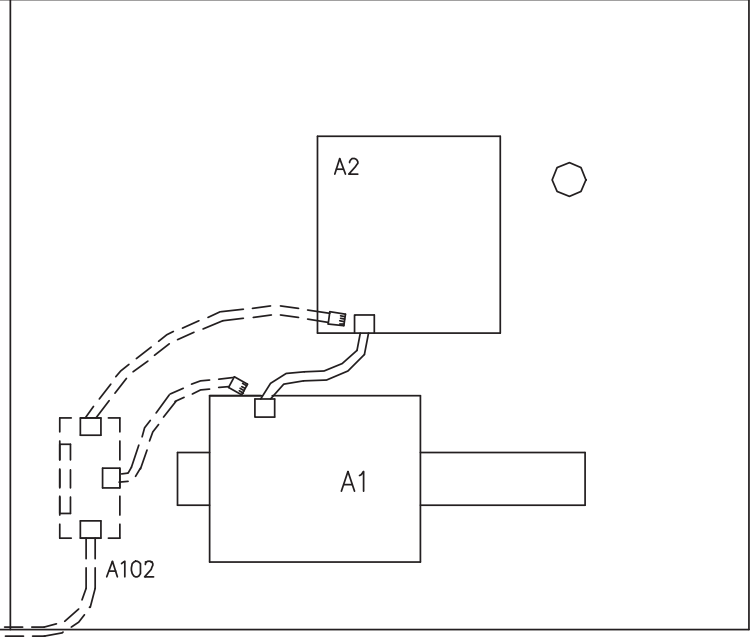
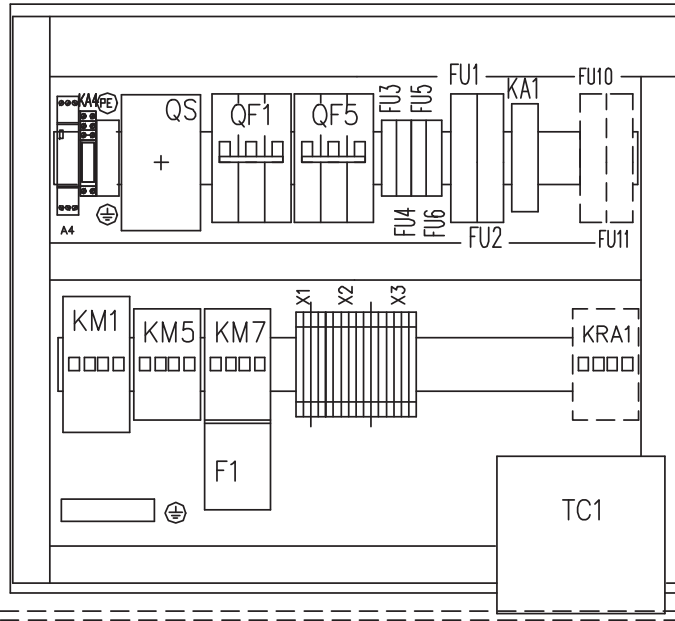
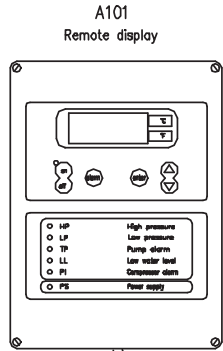


Electrical panel ICE015-022

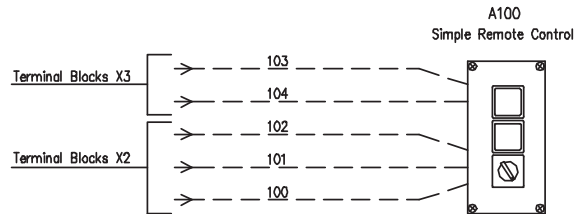
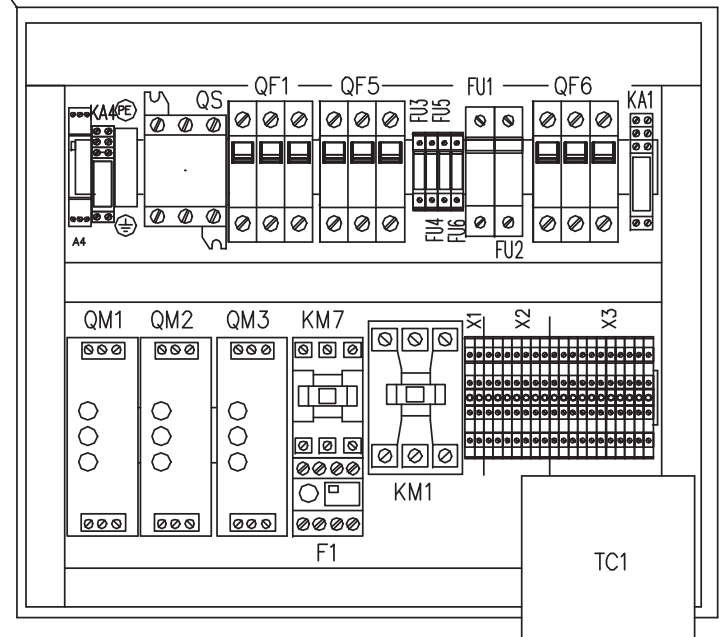


Electrical panel ICE029-057

(A / W)



(C)



Component	(7.4 / 7.5)	ICE076	ICE090	ICE116
3 year repair kits (Axial)	⑱ ⑲ ⑳ ㉑ ㉒ ㉓ ㉔ KM1-2, KM5, KM7	398H473205		398H473206
1. compressor kits	① ⑦ KM1	398H473715	398H473716	398H473717
2. fan kits (Axial)	③ KM5	398H473231		
3. pump kits (P30 - 3 barg)	⑫ KM7, F1	398H473238	398H473239	
4. expansion valve kit	⑦ ⑧	398H473244	398H474134	398H473245
5. electrical kit	-	398H785221		398H785220
refrigerant condenser	(Axial)(Centrifugal)	398H114815	398H114816	398H114817
	(Water)	398H186186	398H186187	
fan motor (Centrifugal)	③	398H381607		
sigh glass	⑥	398H348024		
refrigerant filter	⑦	398H206224		398H206225
tank / evaporator	⑩ ⑳	398H510985	398H510986	398H510987
pump	P15 (1.5 barg)	398H303245		
	P50 (5 barg)	398H303112*		
water manometer	⑮	398H354039		
refrigerant suction manometer	⑯	398H354038		
refrigerant discharge manometer	⑰	398H354038		
water outlet temperature sensor	⑱	398H275235		
evaporator temperature sensor	⑲	398H275235		
water level sensor	⑳	398H275924		

Component	(7.4 / 7.5)	ICE076	ICE090	ICE116
electronic control (cpt)	②1	398H474004		
		398H474002		
fan pressure switch kit (PV1-2) (Axial)(Centrifugal)	②2	398H473682		
fan pressure switch (PV3-4-5-6) (Centrifugal)	②2	398H354119		
high pressure switch	②3	398H354052		
low pressure switch	②4	398H354054		
electrovalve	②8	-	398H183104	
water pressostatic valve (Water)	③3	398H378204		
hot gas solenoide valve 1	③6	398H183104		
hot gas solenoide valve 2	③7	398H183104		
local display	A2	398H275698		
main diconnector switch	QS	398H256428		
compressor automatic switch	QF1-2	398H256238	398H256240	398H256242
fans/pump automatic switch	QF5-7	398H256230	398H256231	
pump automatic switch P50 (5 barg)	QF5	398H256234		
fans automatic switch (Centrifugal)	QF6-8	398H256233		
fan softstart	QM1-2-3	398H256233		
pump thermal relay P15 (1.5 barg) P50 (5 barg)	F1	398H256226		
		398H256228		
plastic capillary	-	398H370003		
		398H370006		
		398H370004	-	

* new model

Diagram circuit

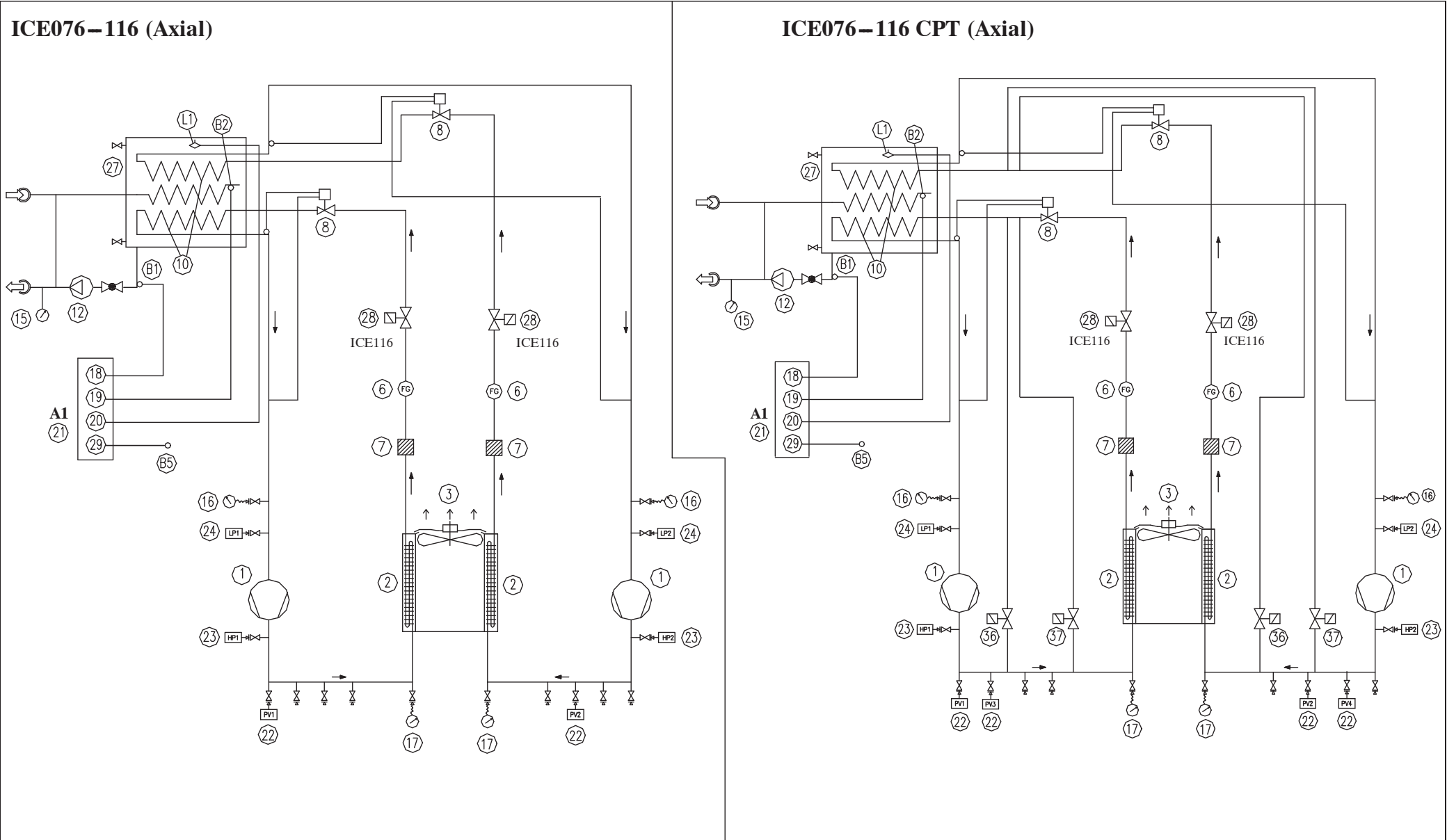
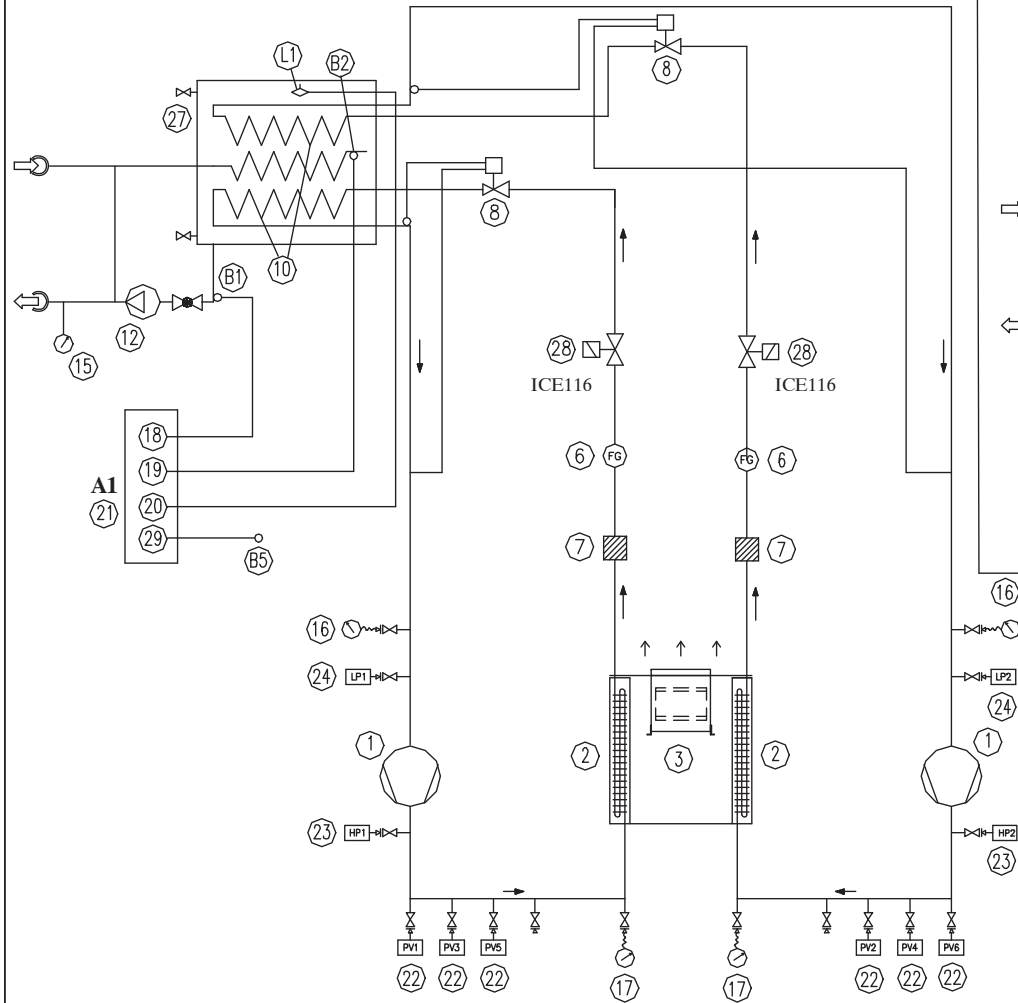


Diagram circuit

ICE076-116 (Centrifugal)



ICE076-116 CPT (Centrifugal)

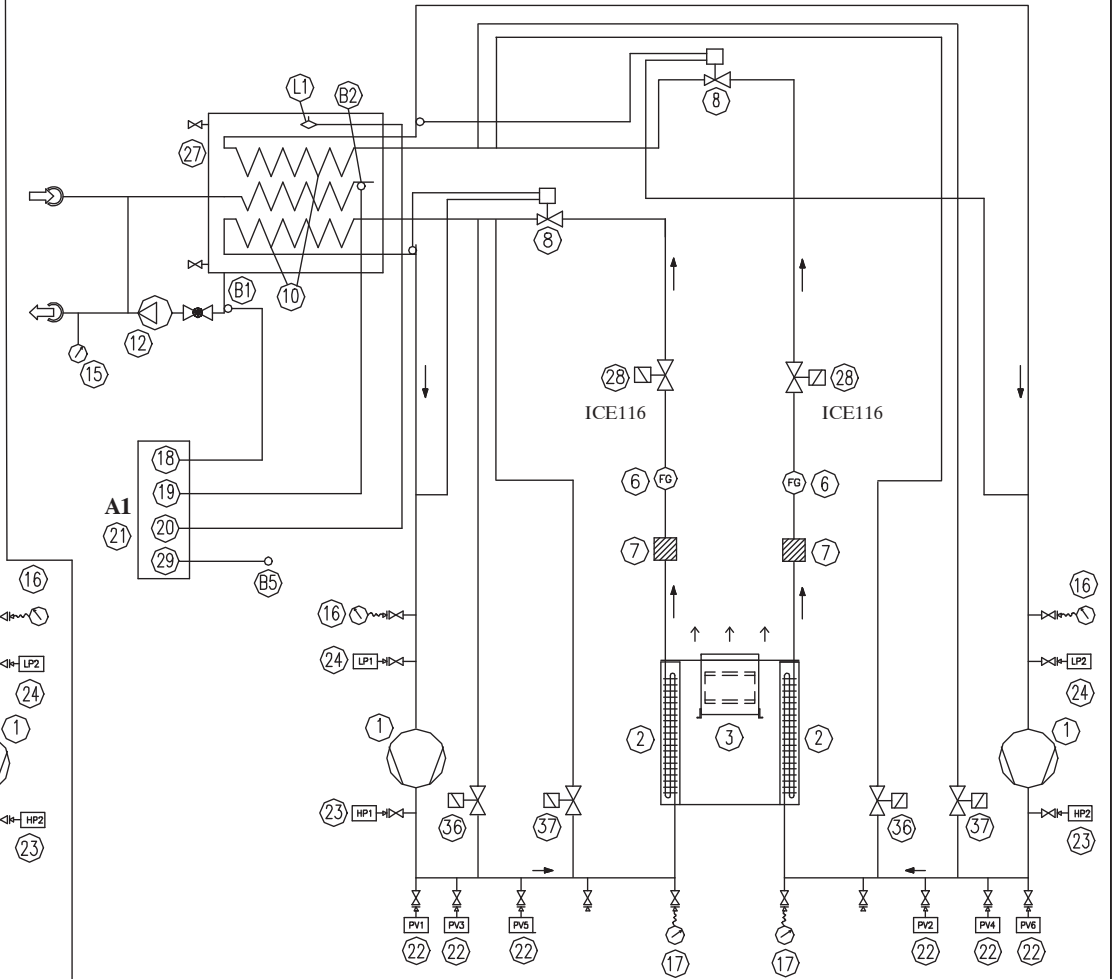
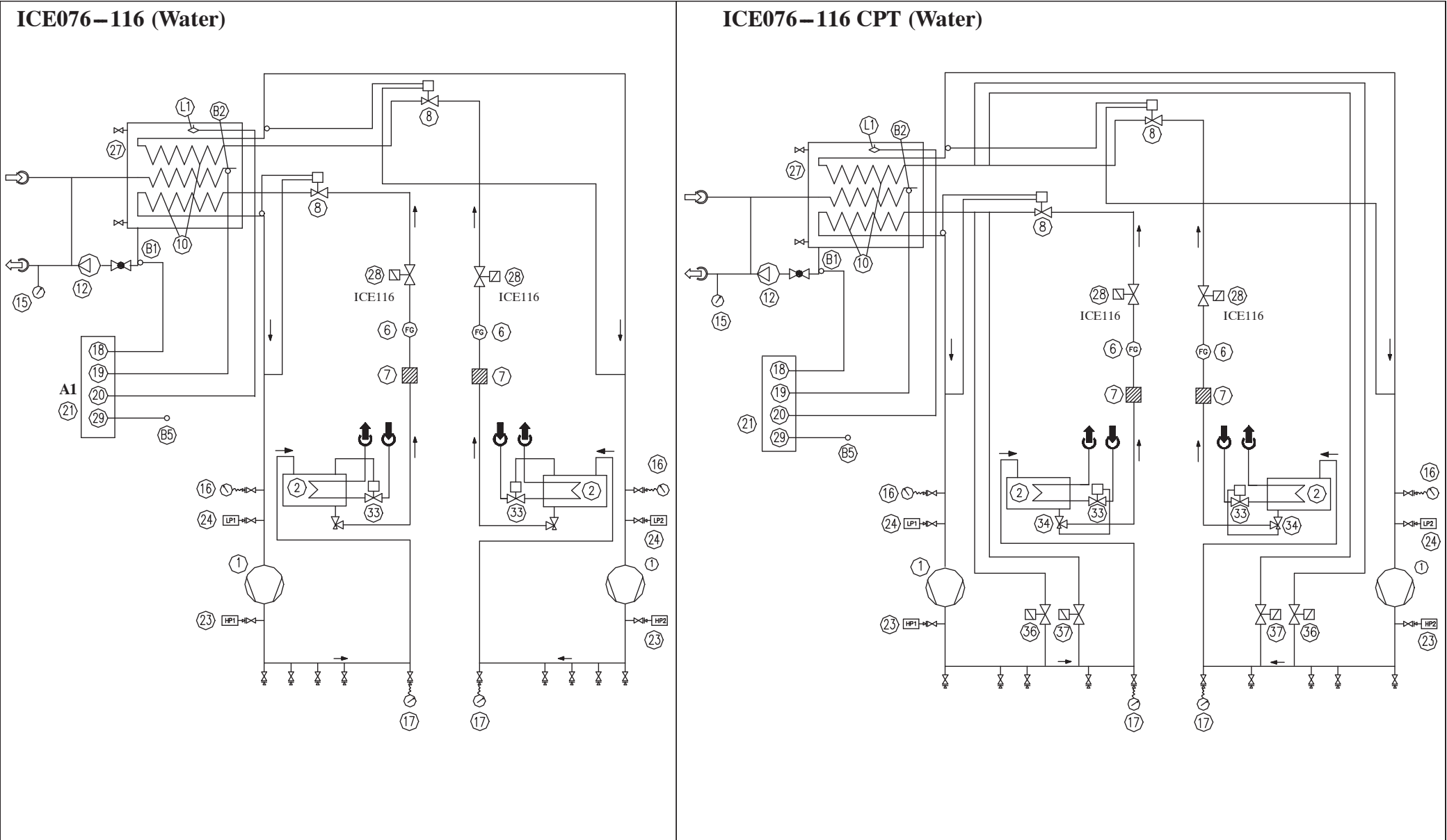
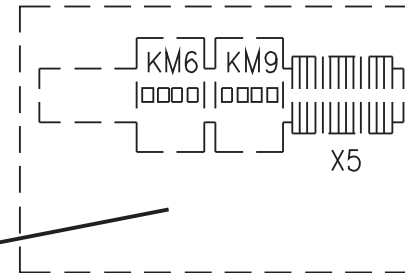
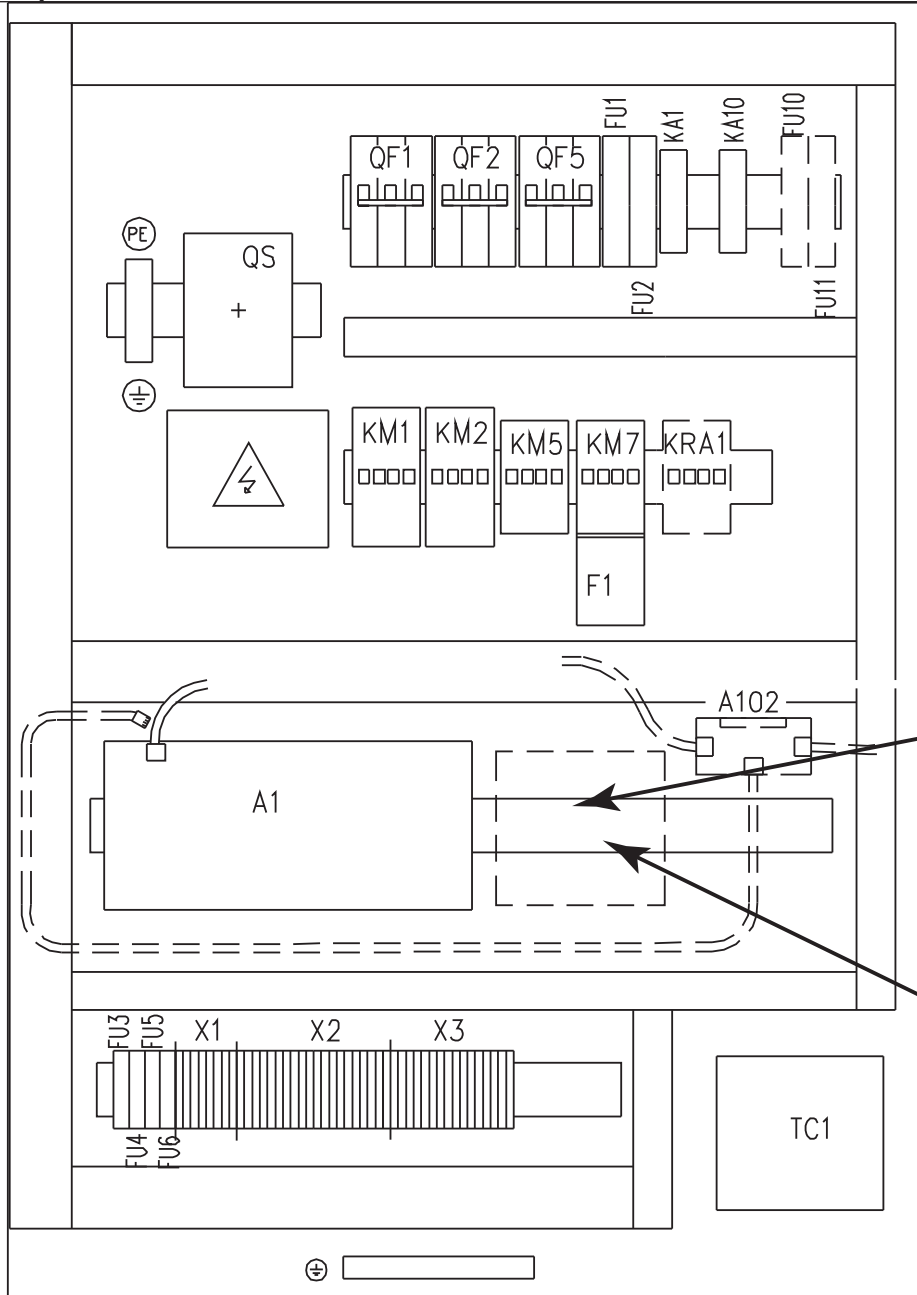


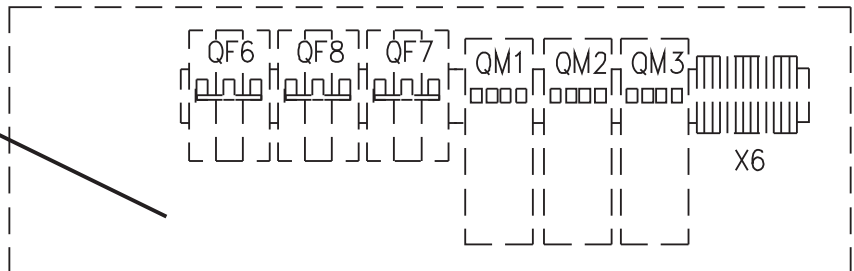
Diagram circuit



Electrical panel ICE076-116



Low temp. ambient
Bassa temp. ambiente



Centrifuga fans
Ventilatori centrifughi

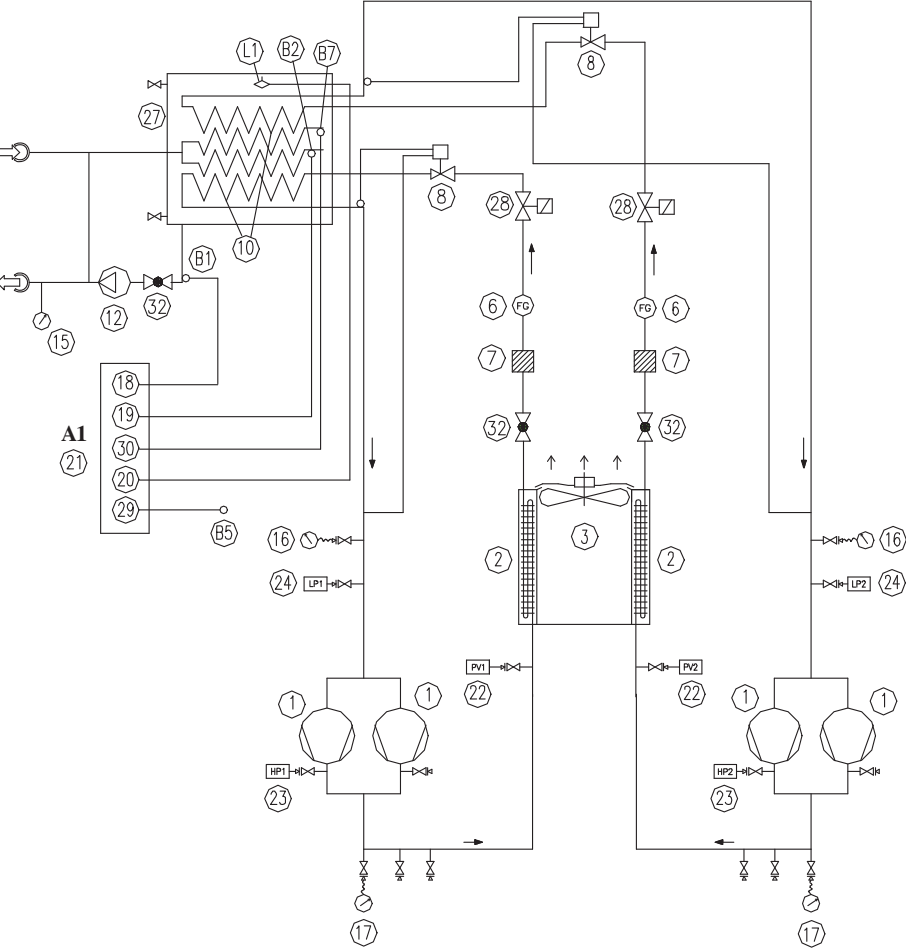
Component	(7.4 / 7.5)	ICE150	ICE183	ICE230
3 year repair kits (Axial)	⑱ ⑲ ⑳ ㉑ ㉒ ㉓ ㉔ ㉕ KM1-4, KM5, KM7	398H473207	398H473208	
1. compressor kits	① ⑦ KM1	398H473718	398H473719-398H473720	398H473721-398H473722
2. fan kits (Axial)	③ KM5	398H473232		
3. pump kits (P30 - 3 barg)	⑫ KM7, F1	398H473420		
4. expansion valve kit	⑦ ⑧	398H473246	398H474102	
5. electrical kit	-	398H785221	398H785225	
refrigerant condenser	(Axial)(Centrifugal)	398H114831	398H114832	398H114833
	(water)	398H186188		-
fan motor (Centrifugal)	③	398H381608	-	
sigh glass	⑥	398H348022		
refrigerant filter (body)	⑦	398H206227		
filter (cartridge)	-	398H206053		
tank / evaporator	⑩ ⑳	398H510988	398H510989	398H510990
pump	P15 (1.5 barg)	398H303113*		398H303284
	P50 (5 barg)	398H303115*		398H303263
water manometer	⑮	398H354039		
refrigerant suction manometer	⑯	398H354038		
refrigerant discharge manometer	⑰	398H354038		
water outlet temperature sensor	⑱	398H275235		
evaporator temperature sensor	⑲	398H275235		

Component	(7.4 / 7.5)	ICE150	ICE183	ICE230
water level sensor	②0		398H275924	
electronic control (cpt)	②1		398H474005	
			398H474037	
fan pressure switch kit (PV1-2) (Axial)(Centrifugal)	②2		398H473682	
fan pressure switch (PV3-4-5-6) (Centrifugal)	②2		398H354119	
high pressure switch	②3		398H354052	
low pressure switch	②4		398H354054	
electrovalve	②8		398H183105	
Ambient temperature sensor (6m)	②9		398H275235	
Evaporator temperature sensor (6m)	③0		398H275235	
water pressostatic valve (Water)	③3	398H378204		-
hot gas solenoide valve 1/2	③6③7		398H183105	
local display	A2		398H275698	
main diconnector switch	QS		398H256425	
compressor automatic switch	QF1-4	398H256238	398H256240	398H256242
fans automatic switch	QF5-6-8		398H256297	
pump automatic switch (Centrifugal)	QF7		398H256291	
fan softstart	QM1-2-3		398H256246	
pump automatic switch P15 (1,5 barg) P50 (5 barg)	QF7		398H256292	
			398H256294	
plastic capillary	-		398H370004	
			398H370005	
		-		398H370006

* New model

Diagram circuit

ICE150-230 (Axial)



ICE150-230 CPT (Axial)

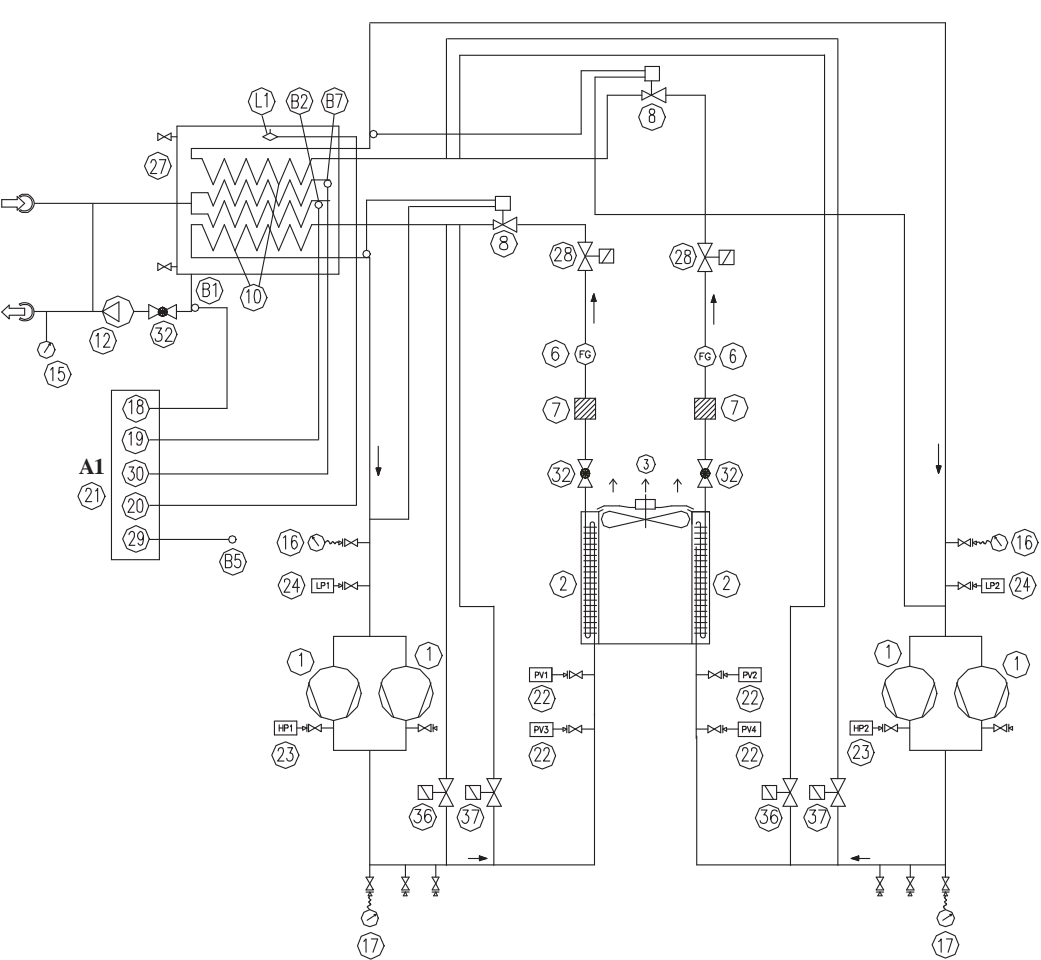
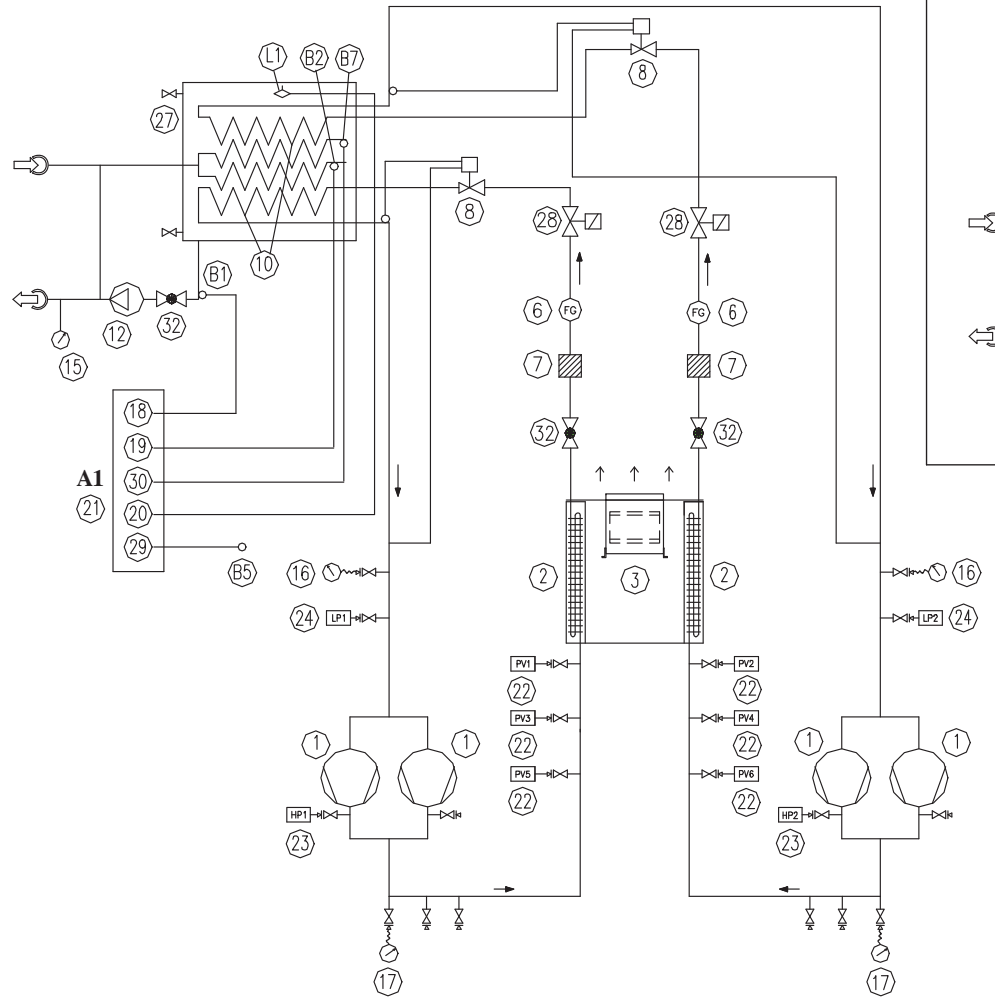


Diagram circuit

ICE150-183 (Centrifugal)



ICE150-183 CPT (Centrifugal)

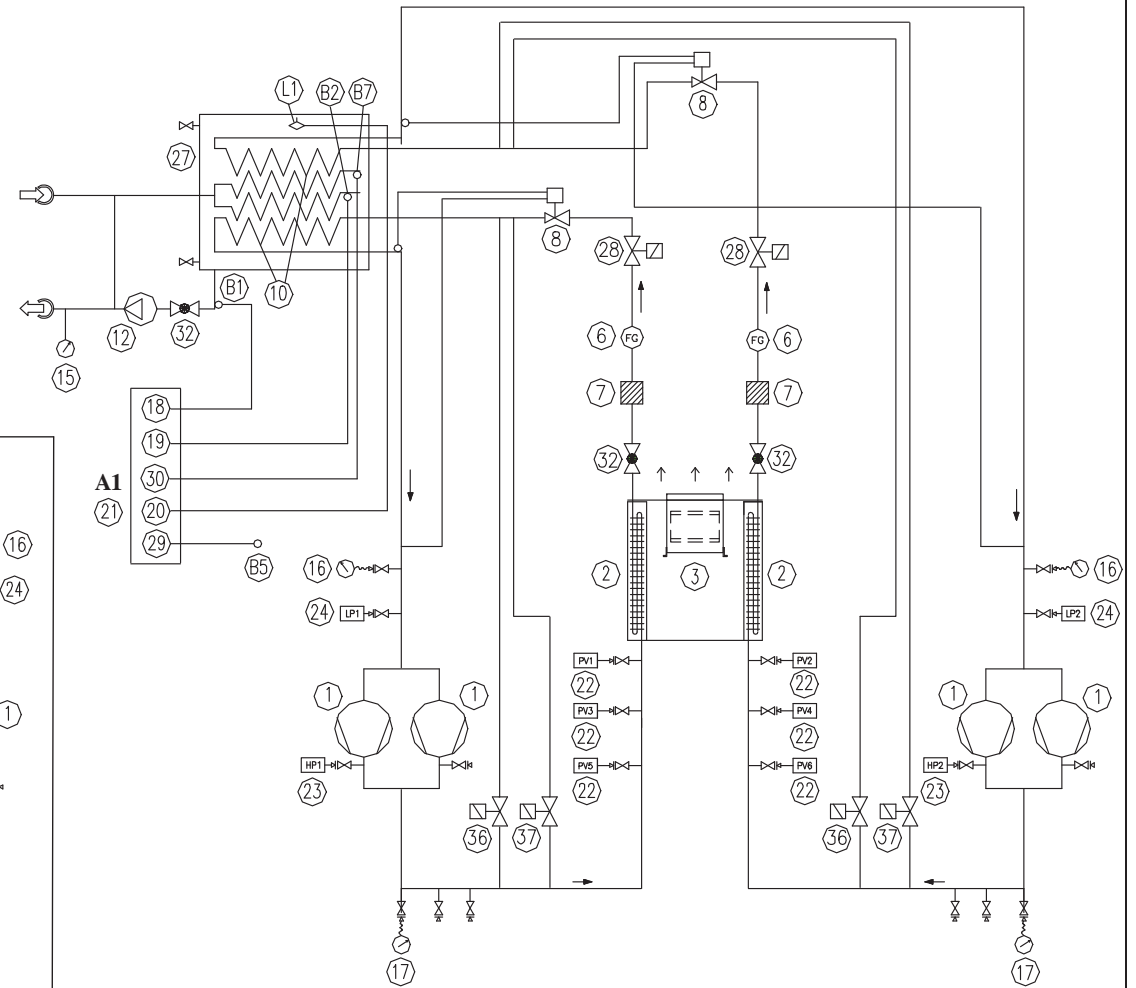
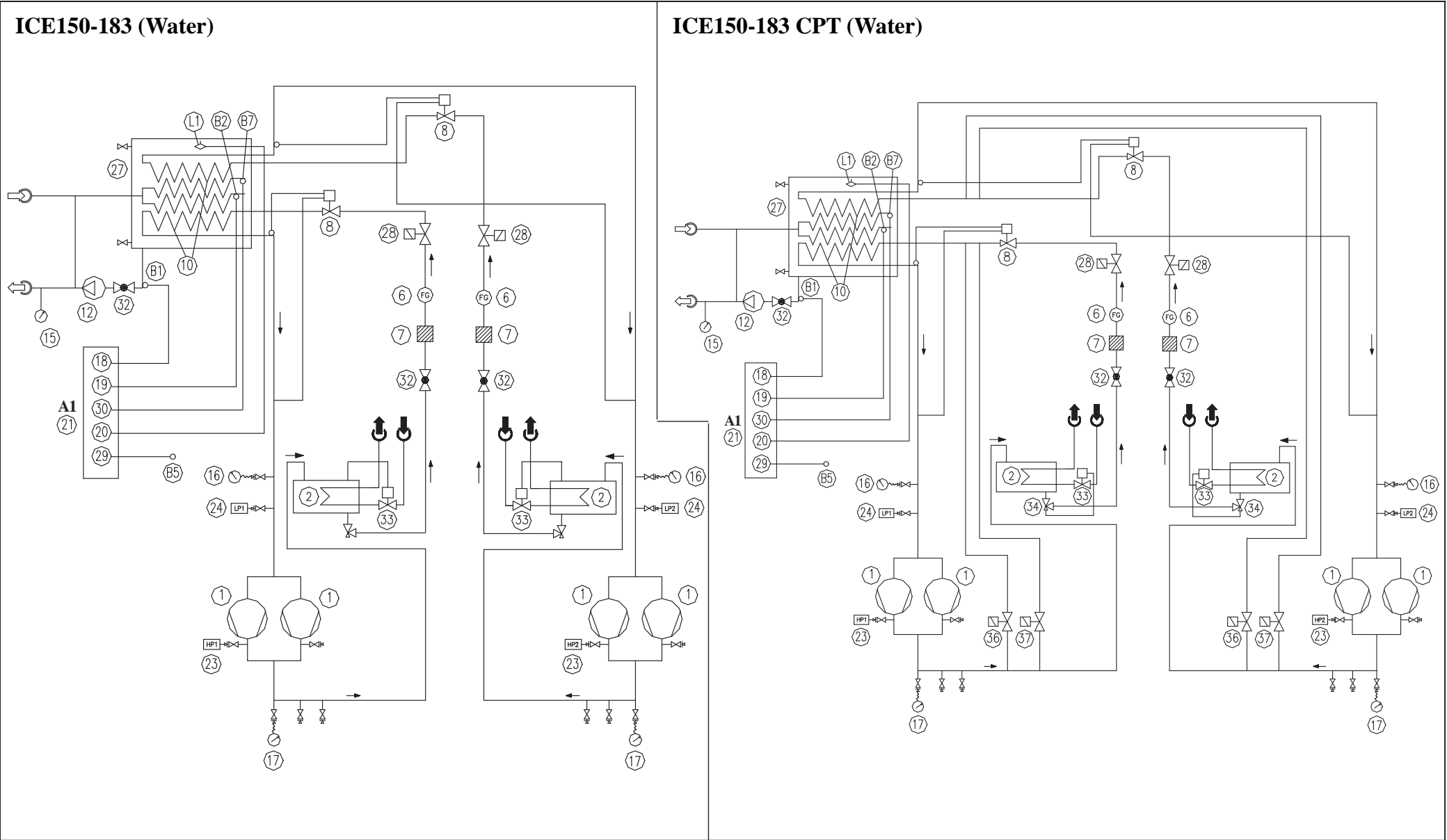
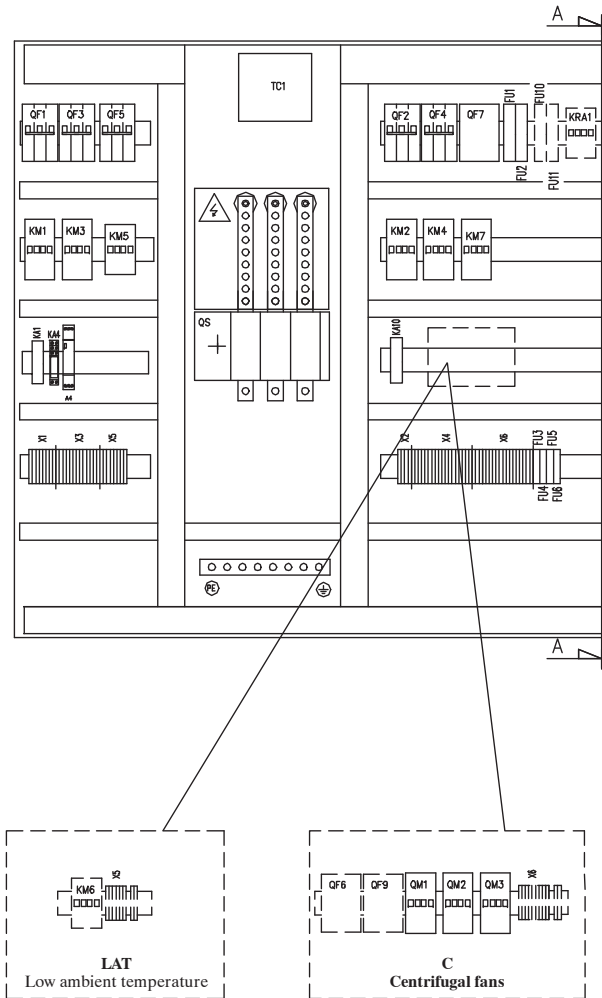


Diagram circuit

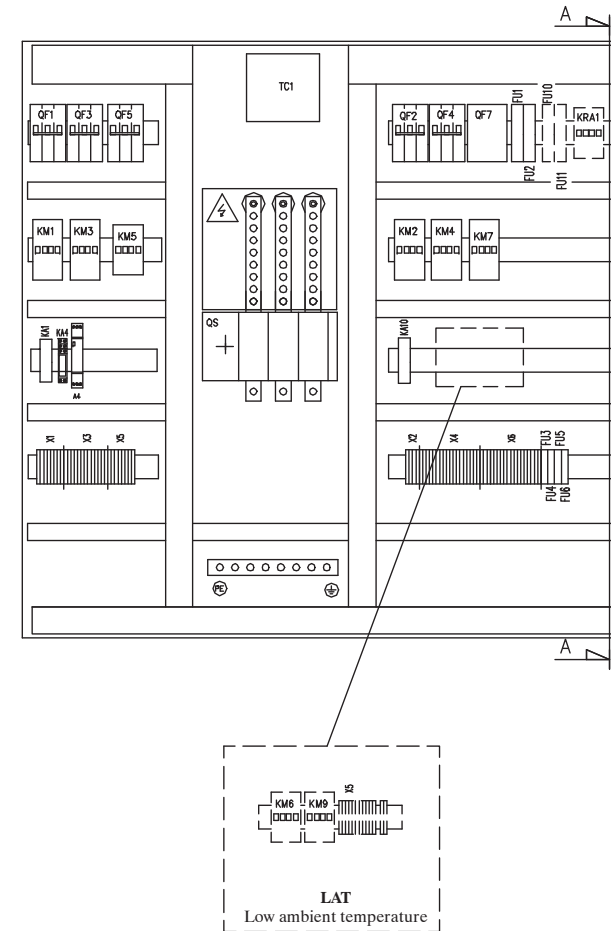


Electrical panel ICE150-230

Wiring diagram ICE150-183 (A / W / C)



Wiring diagram ICE230 (A)

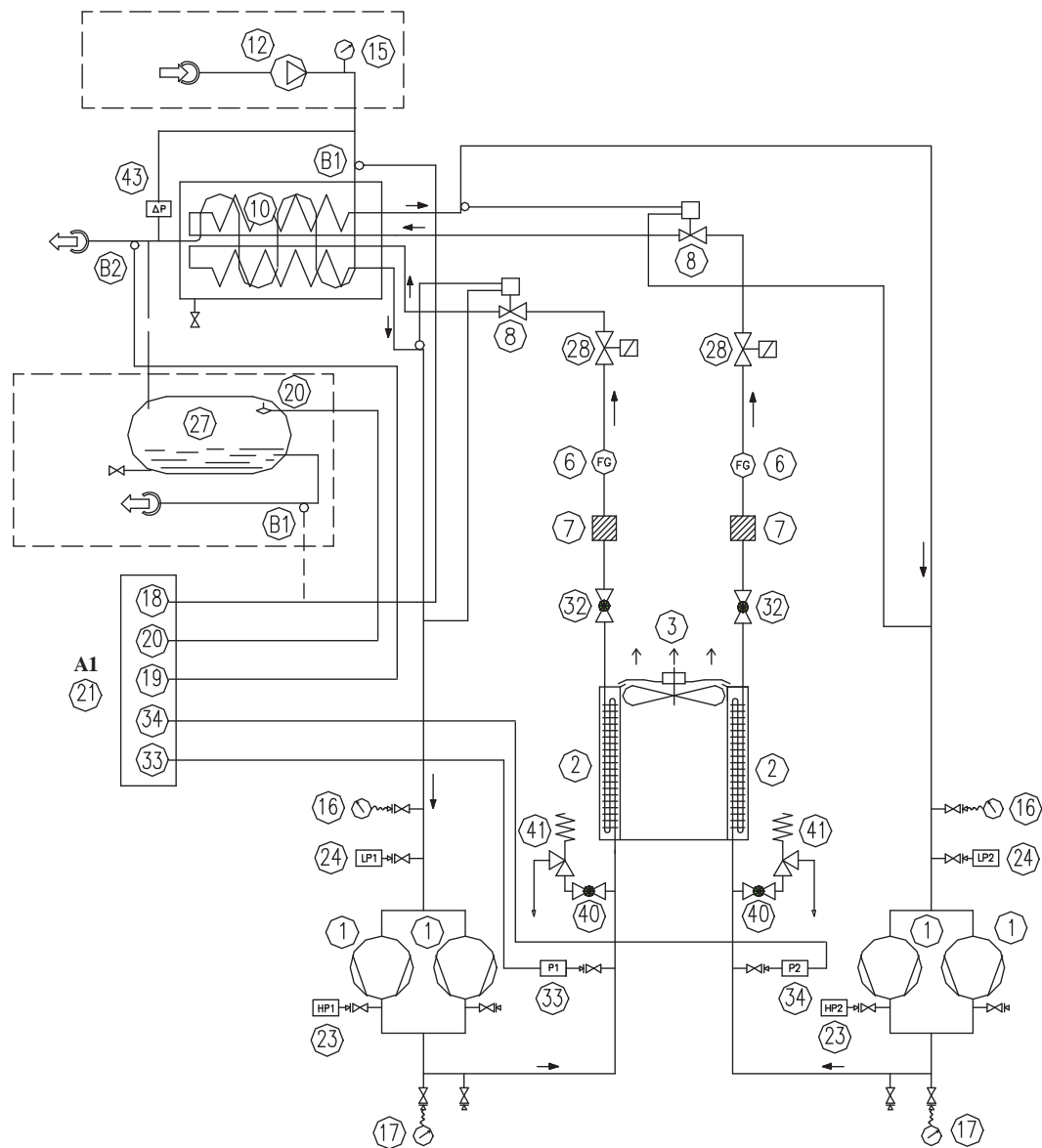


Component	(7.4 / 7.5)	ICE310	ICE360
3 year repair kits (Axial)	①⑧ ①⑨ ②⑩ ②⑪ ②⑫ ②⑬ ②⑭ ②⑮ KM1-4, KM5, KM7	398H473209	
1. compressor kits	① ⑦ KM1	398H473723	398H473724
2. fan kits (Axial)	③ KM5	398H473232	
3. expansion valve kit	⑦ ⑧	on request	
4. electrical kit	-	398H785227	
refrigerant condenser (Axial)	②	398H114755	398H114756
sigh glass	⑥	398H348023	
refrigerant filter (body)	⑦	398H206228	
filter (cartridge)	-	398H206053	
tank / evaporator	⑩ ⑲	398H176845	
pump	P15 (1.5 barg) P50 (5 barg)	on request	on request
		on request	on request
water manometer	⑮	398H354039	
refrigerant suction manometer	⑯	398H354038	
refrigerant discharge manometer	⑰	398H354038	
water outlet temperature sensor	⑱	398H275235	
evaporator temperature sensor	⑲	398H275235	
water level sensor	⑳	398H275924	
electronic control	㉑	398H474036	
high pressure switch	㉒	398H354052	

Component	(7.4 / 7.5)	ICE310	ICE360
low pressure switch	②4		398H354054
water tank	②7		398H339120
electrovalve	②8		398H183125
cock	③2		398H334114
High pressure 1/2 transducer	③3 ③4		398H275306
cock	④0		398H334250
delivery safety valve	④1		398H378341
Differential water pressure switch	④3		398H354136
local display	A2		398H275698
main disconnect switch	QS		398H256289
compressor automatic switch	QF1-4		398H256269
fans automatic switch	QF5-6-8		398H256231
pump automatic switch	P30 (3 barg) QF7		398H256290
plastic capillary	-		398H370002

Diagram circuit

ICE310-360 (Axial)



Electrical panel

