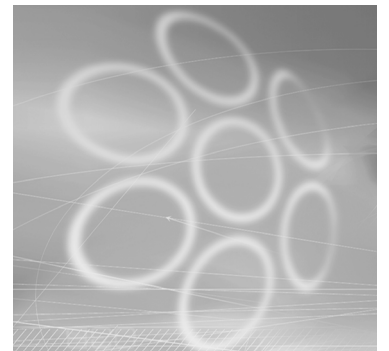


Oil Vapour Removal

OVR300 - OVR550

Parts Manual

 Original Language



Introduction

This manual identifies the kits available for both preventative maintenance and unforeseen breakdown repairs on the OVR range.

OVR Range



How to use this manual:

- 1 Identify the model of OVR from the rating plate.

Model Number:	OVR	400	I	G	X	X
----------------------	-----	-----	---	---	---	---

Model	300	350	400	450	500	550
--------------	-----	-----	-----	-----	-----	-----

Port Size	H = 2"	I = 2 1/2"
------------------	--------	------------

Thread Type	G = BSPP	N = NPT
--------------------	----------	---------

Not Applicable
Not Applicable

Parker Hannifin Manufacturing Ltd
 Dukesway, Teesside
 Gateshead, NE11 0PZ, UK
 Tel: 0191 402 9000 Fax: 0191 482 6296
 www.parker.com/chi

Model: Date:

Serial Number:

AC Cartridge:

Volume: litres

Min Operating Temp:

Max Operating Temp:

Min Operating Press:

Max Operating Press:





Test Pressure:

CE

- 2 Turn to "Preventative Maintenance Kits" on page 2 for a full listing of scheduled maintenance kits available for the OVR range.
- 3 Turn to "OVR300 Repair Kits" on page 4 for a full listing of available breakdown spares.
- 4 Turn to "OVR350/400/450/500/550 Repair Kits" on page 5 for a full listing of breakdown spares available for the OVR range.
- 5 All items identified with a kit number are available for order.
- 6 Items not specified by a kit number are not available as a repair kit.
- 7 Items identified by **[PM]** are only available in the "Maxi & Maxiplus" on page 3.
- 8 Take careful note of the quantities supplied within each kit as, depending upon the number of chambers on the unit, there may be a requirement to order multiple kits.
- 9 Kit numbers starting with the letter 'S' identify that the part requires a secondary operation (e.g painting, programming, pressure testing) prior to shipment. These items are not available off the shelf.

Servicing

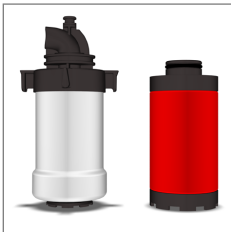
Service intervals

Description of Service Required		Service recommended every:			
Component	Operation	Week	Monthly	3-month	12-month
Complete Assembly	Check for air leaks.				
OVR	Replace the adsorption cartridges - Activated Carbon ⁿ	See Note (1)			
					
Filtration	Replace the coalescing filter elements and automatic drains				

n. Unlike oil aerosol removal filters which are changed annually to guarantee compressed air quality, the lifetime of an oil vapour removal filter can be attributed to various factors and require more frequent changes. Factors affecting the lifetime of adsorption filters are:
Oil vapour concentration - The higher the inlet concentration of oil vapour, the faster the activated carbon capacity will expire.
Bulk oil - Adsorption filters are designed to remove oil vapour and odours, not liquid oil or aerosols. Poorly maintained or non-existent pre-filtration will cause the OVR filter capacity to quickly expire.
Temperature - Oil vapour content increases exponentially to inlet temperature, reducing element life. Additionally, as temperature increases, the adsorption capacity decreases, again reducing element life.
Relative Humidity or Dewpoint - Wet air reduces the adsorptive capacity of the carbon.
Compressor oil changes - When compressor oil is changed, the new lubricant burns off "light ends" which increases the oil vapour content for hours or even weeks afterwards. This increase in oil vapour content is adsorbed by the OVR filter, significantly reducing its adsorptive life.
OVR performance is based upon a maximum oil vapour inlet concentration of 0.05mg/m³, and a pressure dewpoint of -40°C PDP.
These elements should be replaced upon detection of vapour, odour or taste.

Preventative Maintenance Kits

Recommended every 12 months



Current Parker Dornick Hunter Filter Service Kits to be supplied as standard. Please check the filter housing model numbers for correct element suitability.



Description	Catalogue Number	Contents	Order Qty
12 Month cartridge kit OVR300 (Every 12 months)	300OVR	AC Cartridge (x1) O-rings	1
12 Month cartridge kit OVR350 (Every 12 months)	350OVR	AC Cartridge (x2) O-rings	1
12 Month cartridge kit OVR400 (Every 12 months)	400OVR	AC Cartridge (x4) O-rings	1
12 Month cartridge kit OVR450 (Every 12 months)	450OVR	AC Cartridge (x6) O-rings	1
12 Month cartridge kit OVR500 (Every 12 months)	500OVR	AC Cartridge (x8) O-rings	1
12 Month cartridge kit OVR550 (Every 12 months)	550OVR	AC Cartridge (x10) O-rings	1



ELEMENTS

Parker filters are designed to produce clean compressed air, gas and liquid to the highest industry standards. To maintain impeccable results, Elements within the filter must be replaced annually.

Choosing the Parker brand means you can be assured that Elements are readily available, affordable and the most energy efficient product of its kind on the market. The elements are also supplied in 100% recyclable packaging. An additional advantage of purchasing Parker Elements is that you will reduce your company's carbon footprint by 190kg. This is the equivalent of a 700 mile flight from Edinburgh to Berlin! Parker Filter Elements also prove to be highly efficient when used in any leading competitor's filters.



PARTS

Parker Kits make everyday maintenance easy. They are available for all of our products and are simply value-for money. The Parts within the kits support our customers' varied maintenance, repair and overhaul activities.

Additionally, Preventative Maintenance Kits can be purchased for dryers and gas generators. These kits mean our customers dryer's and generator's can be serviced easily to ensure optimum performance.

An extensive range of durable Parker Parts can be obtained within 24 hours to any European, Middle East or African destination.



SPECIALISED SERVICES

Parker Specialist Service Engineers test on-site efficiency measuring many variables including airflow, pressure, temperature, dewpoint and power consumption.

Our team of highly trained experts are the best in the industry. They take into account a range of environmental factors that could affect your system's performance. The results from this Specialist Service are extremely accurate and produce invaluable information.

Importantly, Parker informed recommendations lead to significant savings for our customers, which mean they return time and time again for our advice and products.



M.R.O

Maintenance Repair & Overhaul - Parker Technicians are the industry's finest. Their skills and qualifications are annually approved to keep their product and legislation knowledge fresh and expertise relevant.

With this in mind, Parker offers onsite and on demand servicing to meet customers' unique requirements in a timely and efficient manner.

Parker MRO service ranges from a basic maintenance check covered under product warranty right through to a comprehensive programme, which even puts the onsite application under the microscope.

With customers at the heart of everything Parker does, the MRO service is no exception to this.

Parker Filter Elements also prove to be highly efficient when used in any leading competitor's filters



SUPPORT SERVICES

Parker Support Services are the first port of call for customers in need of help or guidance.

The fact that this team is responsible for the production of User Guides and Manuals gives you an insight into the level and detail of their parts and product knowledge.

Over-the-phone support is just one way in which Parker's extremely knowledgeable team, quickly reduces downtime or resolves product queries.

On some occasions engineers need to be on site to carry out a repair. In these cases, the local engineer will be quickly dispatched to ensure our customers can return to production as soon as possible.

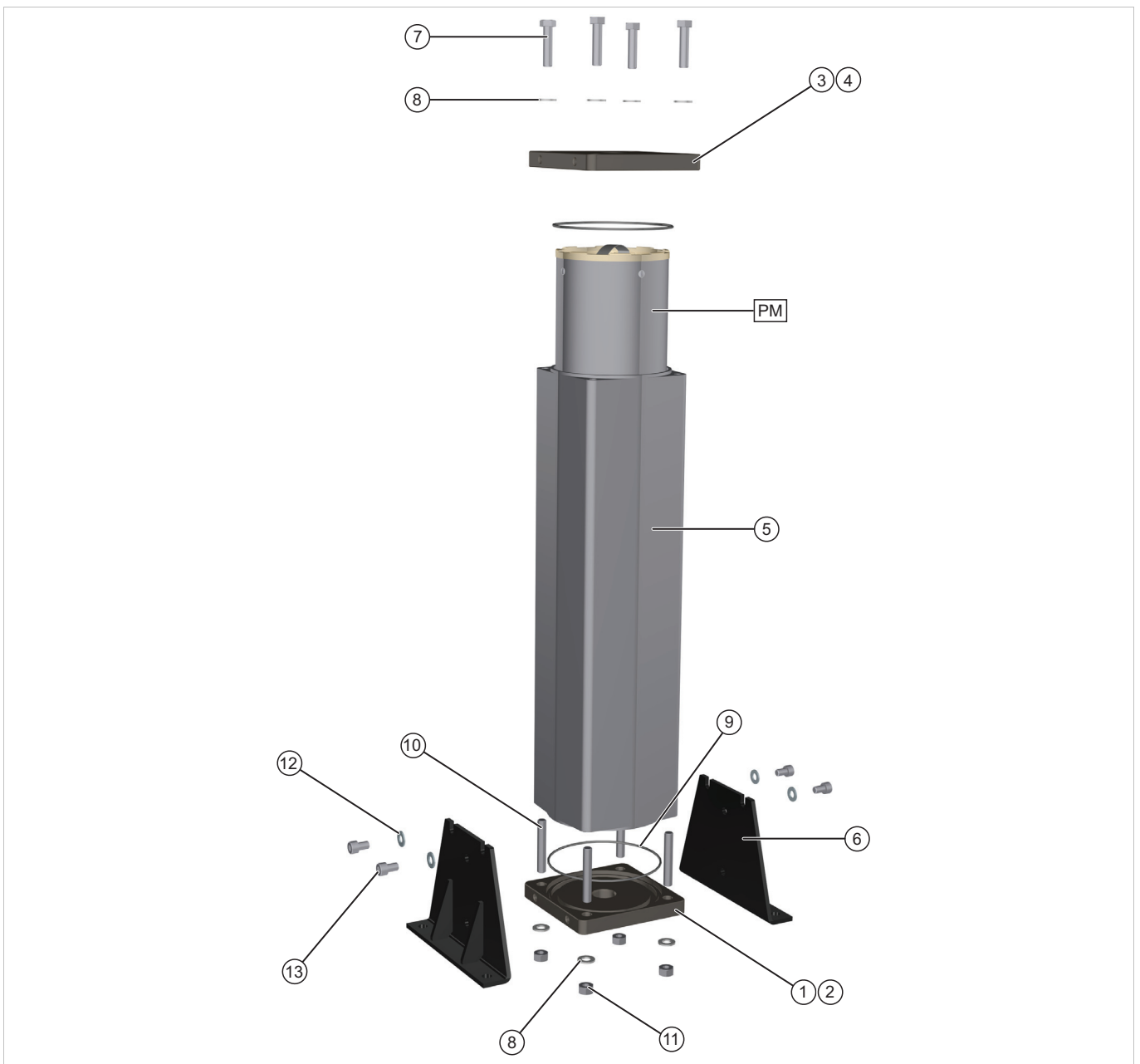
One-to-one training can also be provided by our Support Services team. This has enabled hundreds of Parker distributors to gain an in-depth understanding. Training will also ensure distributors can make timely repairs and easily maintain their customers' products.



OVR300 Repair Kits

Refer to the exploded image of the OVR300 on the opposite page:

Ref.	Kit number	Description	Kit Qty	Comments
1	S274040011	OVR Single endplate BSPP (Bottom)	1	
2	S274040014	OVR Single endplate NPT (Bottom)	1	
3	S274040021	OVR Single endplate BSPP (Top)	1	
4	S274040024	OVR Single endplate NPT (Top)	1	
5	S274040010	OVR300 Column	1	
6	R274040012	OVR300 Foot	2	
7	R275111134	M12 x 50 Hex head bolt Z.Plates	20	
8	R275110865	M12 Washer A.Form ST.ST.	40	
9	R051191060	O-Ring 150 ID x 3.0 H. Nitrile	30	
10	R275114222	M12 x 75 Stud grade 10.8	20	
11	R275114224	M12 Full nut Z.Plates grade 10	40	
12	R275110870	M10 Washer A.Form Z.Plates	40	
13	R275101620	M10 x 16 Hex set screw	20	



OVR350/400/450/500/550 Repair Kits

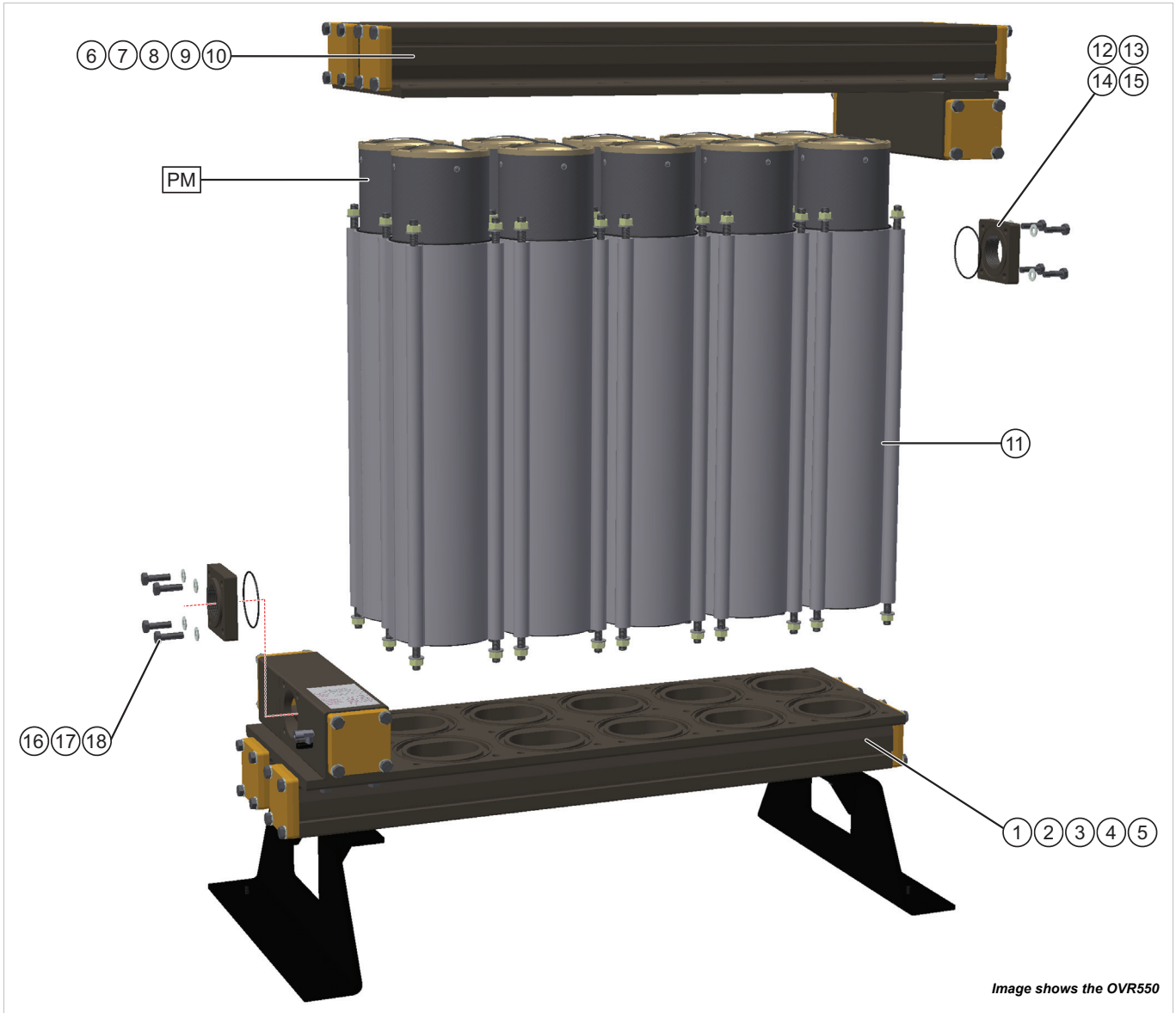
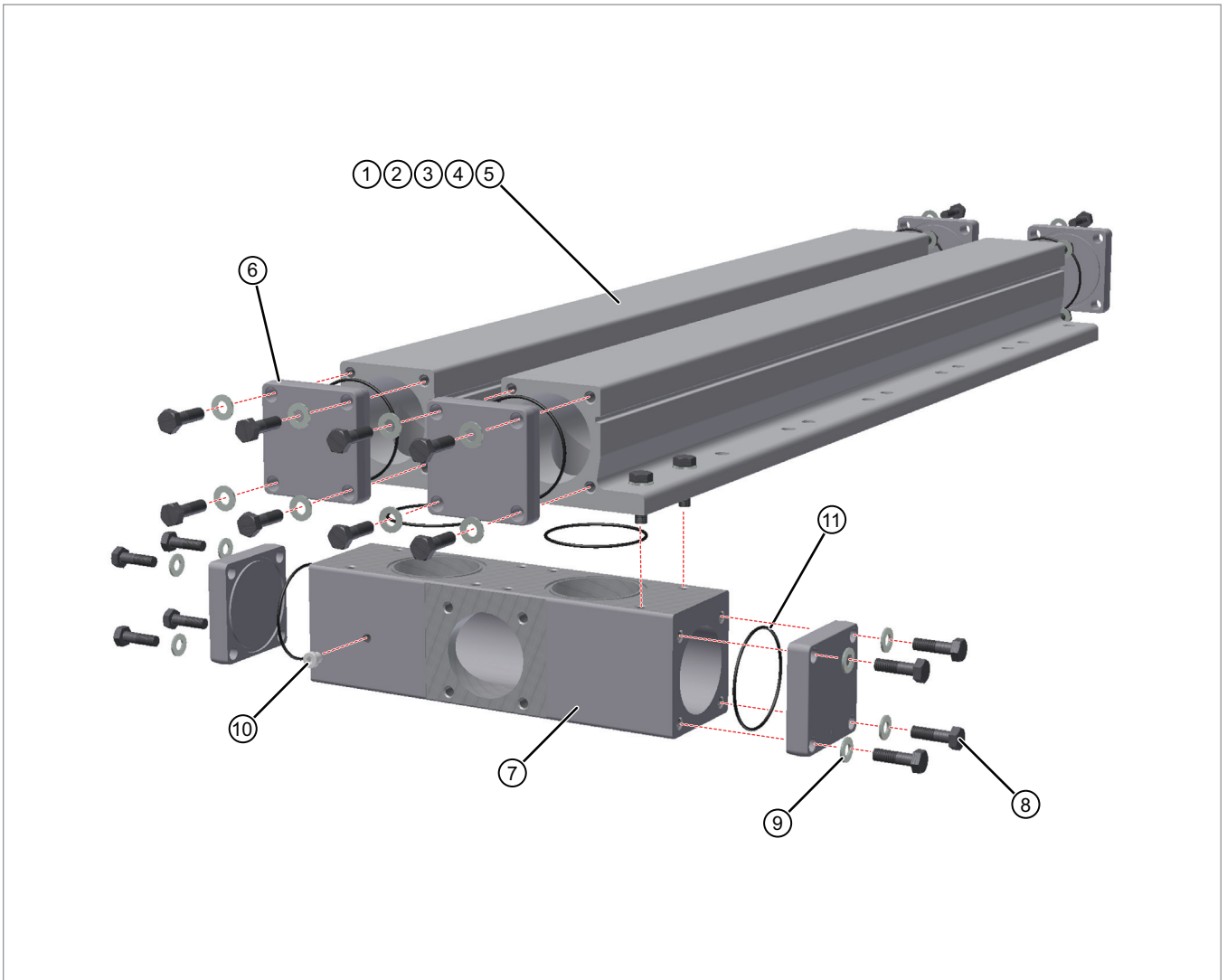


Image shows the OVR550

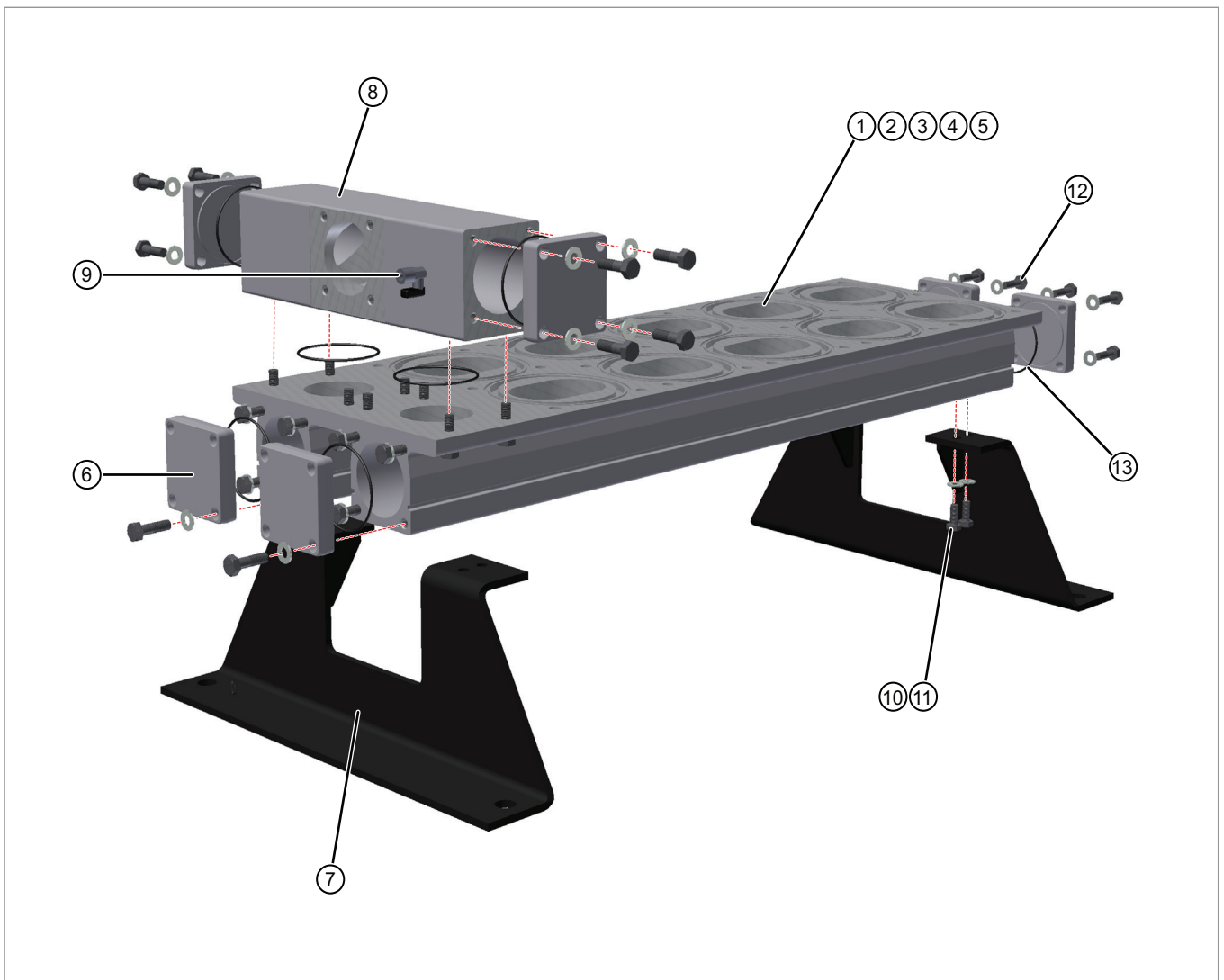
Ref.	Kit number	Description	Kit Qty	Comments
1	S456476110	OVR350 Inlet manifold assembly	1	Refer to "Inlet Manifold Assembly" on page 7 for component breakdown.
2	S456476120	OVR400 Inlet manifold assembly		
3	S456476130	OVR450 Inlet manifold assembly		
4	S456476140	OVR500 Inlet manifold assembly		
5	S456476150	OVR550 Inlet manifold assembly		
6	S456476111	OVR350 Outlet manifold assembly	1	Refer to "Outlet Manifold Assembly" on page 6 for component breakdown.
7	S456476121	OVR400 Outlet manifold assembly	1	
8	S456476131	OVR450 Outlet manifold assembly	1	
9	S456476141	OVR500 Outlet manifold assembly	1	
10	S456476151	OVR550 Outlet manifold assembly	1	
11	S454040112	OVR Column assembly	1	Refer to "Column Assembly" on page 8 for component breakdown.
12	S278610220	2" BSPP Flange	2	Used on OVR350 and OVR400
13	S278610222	2" NPT Flange	2	
14	S278610221	2 1/2" BSPP Flange	2	Used on OVR450, OVR500 and OVR550
15	S278610223	2 1/2" NPT Flange	2	
16	R275111121	M10 x 35 Hex HD SCR BZP	20	
17	R275110870	M10 Washer Form A Z.Plates	40	
18	R051000426	O-Ring BS152 High nitrile	30	

Outlet Manifold Assembly



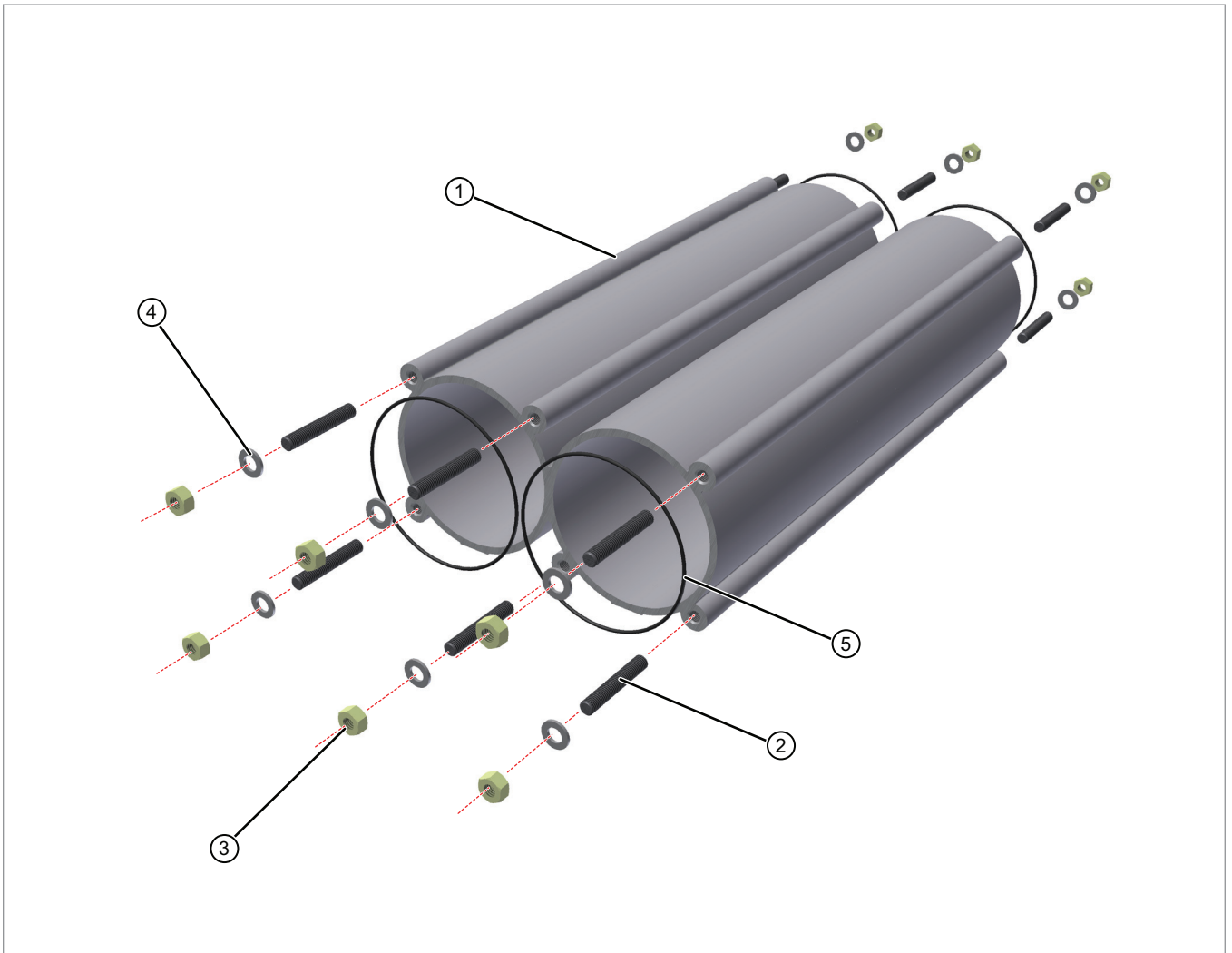
Ref.	Kit number	Description	Kit Qty	Comments
1	S278620011	1 Column outlet manifold	1	Used on OVR350
2	S278620021	2 Column outlet manifold	1	Used on OVR400
3	S278620031	3 Column outlet manifold	1	Used on OVR450
4	S278620041	4 Column outlet manifold	1	Used on OVR500
5	S278620051	5 Column outlet manifold	1	Used on OVR550
6	S278620210	Cast square endplate M/C	2	
7	S276476000	Manifold block	1	
8	R275111121	M10 x 35 Hex head screw BZP	20	
9	R275110870	M10 Zinc plated Washer	40	
10	S271000578	Plug VSR 1/8"	5	
11	R051000426	BS152 High nitrile o-ring	30	

Inlet Manifold Assembly



Ref.	Kit number	Description	Kit Qty	Comments
1	S276476010	1 Column Inlet Manifold	1	Used on OVR350
2	S276476020	2 Column Inlet Manifold	1	Used on OVR400
3	S276476030	3 Column Inlet Manifold	1	Used on OVR450
4	S276476040	4 Column Inlet Manifold	1	Used on OVR500
5	S276476050	5 Column Inlet Manifold	1	Used on OVR550
6	S278620210	Cast square endplate M/C	2	
7	R276520066	Black generator foot	2	
8	S276476000	Manifold block	1	
9	R276202430	1/8" M-F Brass ball valve	2	
10	R275113980	M10 x 28 Hex head screw	20	
11	R275110870	M10 Zinc plated Washer	40	
12	R275111121	M10 x 35 Hex head screw BZP	20	
13	R051000426	BS152 High nitrile o-ring	30	

Column Assembly



Ref.	Kit number	Description	Kit Qty	Comments
1	S274040006	OVR Column extrusion	1	
2	R275114222	M12 x 75 Stud grade 10.8 Zinc plated	20	
3	R275114224	M12 grade 10 zinc plated nut	40	
4	R275110865	M12 stainless steel washer	40	
5	R051191060	BS4518 medium nitrile o-ring	30	

Parker Worldwide

Europe, Middle East, Africa

AE – United Arab Emirates,
Dubai

Tel: +971 4 8127100
parker.me@parker.com

AT – Austria, Wiener Neustadt

Tel: +43 (0)2622 23501-0
parker.austria@parker.com

AT – Eastern Europe, Wiener
Neustadt

Tel: +43 (0)2622 23501 900
parker.easteurope@parker.com

AZ – Azerbaijan, Baku

Tel: +994 50 2233 458
parker.azerbaijan@parker.com

BE/LU – Belgium, Nivelles

Tel: +32 (0)67 280 900
parker.belgium@parker.com

BY – Belarus, Minsk

Tel: +375 17 209 9399
parker.belarus@parker.com

CH – Switzerland, Etoy

Tel: +41 (0)21 821 87 00
parker.switzerland@parker.com

CZ – Czech Republic, Klecany

Tel: +420 284 083 111
parker.czechrepublic@parker.com

DE – Germany, Kaarst

Tel: +49 (0)2131 4016 0
parker.germany@parker.com

DK – Denmark, Ballerup

Tel: +45 43 56 04 00
parker.denmark@parker.com

ES – Spain, Madrid

Tel: +34 902 330 001
parker.spain@parker.com

FI – Finland, Vantaa

Tel: +358 (0)20 753 2500
parker.finland@parker.com

FR – France, Contamine s/Arve

Tel: +33 (0)4 50 25 80 25
parker.france@parker.com

GR – Greece, Athens

Tel: +30 210 933 6450
parker.greece@parker.com

HU – Hungary, Budapest

Tel: +36 1 220 4155
parker.hungary@parker.com

IE – Ireland, Dublin

Tel: +353 (0)1 466 6370
parker.ireland@parker.com

IT – Italy, Corsico (MI)

Tel: +39 02 45 19 21
parker.italy@parker.com

KZ – Kazakhstan, Almaty

Tel: +7 7272 505 800
parker.easteurope@parker.com

NL – The Netherlands, Oldenzaal

Tel: +31 (0)541 585 000
parker.nl@parker.com

NO – Norway, Asker

Tel: +47 66 75 34 00
parker.norway@parker.com

PL – Poland, Warsaw

Tel: +48 (0)22 573 24 00
parker.poland@parker.com

PT – Portugal, Leca da Palmeira

Tel: +351 22 999 7360
parker.portugal@parker.com

RO – Romania, Bucharest

Tel: +40 21 252 1382
parker.romania@parker.com

RU – Russia, Moscow

Tel: +7 495 645-2156
parker.russia@parker.com

SE – Sweden, Spånga

Tel: +46 (0)8 59 79 50 00
parker.sweden@parker.com

SK – Slovakia, Banská Bystrica

Tel: +421 484 162 252
parker.slovakia@parker.com

SL – Slovenia, Novo Mesto

Tel: +386 7 337 6650
parker.slovenia@parker.com

TR – Turkey, Istanbul

Tel: +90 216 4997081
parker.turkey@parker.com

UA – Ukraine, Kiev

Tel: +380 44 494 2731
parker.ukraine@parker.com

UK – United Kingdom, Warwick

Tel: +44 (0)1926 317 878
parker.uk@parker.com

ZA – South Africa, Kempton Park

Tel: +27 (0)11 961 0700
parker.southafrica@parker.com

North America

CA – Canada, Milton, Ontario

Tel: +1 905 693 3000

US – USA, Cleveland

Tel: +1 216 896 3000

Asia Pacific

AU – Australia, Castle Hill

Tel: +61 (0)2-9634 7777

CN – China, Shanghai

Tel: +86 21 2899 5000

HK – Hong Kong

Tel: +852 2428 8008

IN – India, Mumbai

Tel: +91 22 6513 7081-85

JP – Japan, Tokyo

Tel: +81 (0)3 6408 3901

KR – South Korea, Seoul

Tel: +82 2 559 0400

MY – Malaysia, Shah Alam

Tel: +60 3 7849 0800

NZ – New Zealand, Mt Wellington

Tel: +64 9 574 1744

SG – Singapore

Tel: +65 6887 6300

TH – Thailand, Bangkok

Tel: +662 186 7000-99

TW – Taiwan, Taipei

Tel: +886 2 2298 8987

South America

AR – Argentina, Buenos Aires

Tel: +54 3327 44 4129

BR – Brazil, Sao Jose dos Campos

Tel: +55 800 727 5374

CL – Chile, Santiago

Tel: +56 2 623 1216

MX – Mexico, Apodaca

Tel: +52 81 8156 6000

European Product Information Centre

Free phone: 00 800 27 27 5374

(from AT, BE, CH, CZ, DE, DK, EE, ES, FI,
FR, IE, IL, IS, IT, LU, MT, NL, NO, PL, PT, RU,
SE, SK, UK, ZA)