

*Spare parts*  
**DRYER**  
*Antares*  
*(50Hz)*

*(Date 04.03.15)*



# Index

GENERAL TERMS OF SALES.....	2
SPARE PARTS ATT025-040.....	5
EXPLODED DRAWING ATT025.....	8
EXPLODED DRAWING ATT040.....	9
SPARE PARTS ATT060-090.....	10
EXPLODED DRAWING ATT060.....	13
EXPLODED DRAWING ATT090.....	14
SPARE PARTS ATT140-360.....	15
EXPLODED DRAWING ATT140.....	19
EXPLODED DRAWING ATT260/340 .....	20

**Introduction**

The following shall be regarded as the general terms of sale between Parker Hiross (Seller) and Purchaser. None of these terms may be added to, modified, superseded or otherwise altered by Purchaser, unless specifically agreed to, in writing and signed, by Seller. These terms shall, accordingly, supersede and modify any terms that may be contained in any letter or other from Purchaser. They also supersede any oral representations made by either party in connection with the transaction.

**Validity**

This "Parker Hiross Master Price List" cancels and supersedes all previous Parker Hiross Price Lists. Prices are valid starting from the date indicated in the Price List. This Price List is valid until written notice to the contrary, or the emission of a new Price List. Technical data contained in this publication is to be considered as indicative only. The manufacturer reserves the right to modify technical data at its own discretion and without prior notice.

**Quotation**

Seller has the right, at any time and even after the order, to make alterations to, or with draw (prior to order confirmation), its offers. Prices quoted shall always be regarded as indicative only.

**Acceptance of order**

Orders shall be regarded as accepted by Seller only after issuing the respective order confirmation. Seller's charges for cancelling booked and confirmed orders shall range up to 100% of the net order value, depending on completeness of the equipment and its reclamation value. Minimum accepted value for an individual order shall be Euro 200, or the equivalent in other currencies. Orders for lower values will be subject to a Euro 100 (or the equivalent in other currencies) order processing charge.

**Price**

Price shall be as stipulated in the order confirmation. All non Euro prices are nonetheless calculated from the Euro price, and then rounded to the nearest full digit. As a result there may be a minor difference between the listed and invoiced prices. In the event no price is stipulated, equipment shall be charged at Seller's prevailing Price list. Unless otherwise agreed, in writing, price shall be ex Seller's factory, with standard packing.

Seller reserves the right to modify prices at the confirmation of the order to Purchaser. If the confirmed price increase exceeds 5 (five) percentage points, Purchaser has the right to withdraw from the contract, upon written notice addressed to Seller within 2 (two) days from the date of the receipt of the communication concerning the price adjustment. Upon the expiration of such term, or with the acceptance of the goods' delivery by Purchaser, the adjustment is deemed to be accepted and binding between the parties.

The Price shall be valid for delivery as per the date agreed in the order confirmation. If Purchaser requests (in writing) any delay in shipping of the equipment, Seller will reserve the right to revise the price.

Changes to booked and confirmed orders shall be subject to a minimum net service charge corresponding to Euro 100 (or the equivalent in other currencies), to cover changes in documents. This charge may be increased, depending on order status and nature of requested modification.

**Delivery**

The delivery date shall be as indicated in the order confirmation. The delivery terms, indicated in the order confirmation, are to be considered as part of this General Terms of Sale. Acceptance of shipment by a common carrier or allocation of equipment to Purchaser shall constitute delivery. Thereupon responsibility shall pass to Purchaser, subject to Seller's right of stoppage in transit. Where a trade term has been agreed, it shall be interpreted in accordance with the INCOTERMS in force at time of contract. If no trade term is specifically agreed delivery shall be considered to be ExWorks. Unless expressly specified in the INCOTERMS, goods in transit always travel at Purchaser's risk. Purchaser will bear all costs involved in removing the goods from Seller's premises. Delivery of all or any part of the order is contingent upon Seller's ability to obtain supplies, raw materials and service through its regular sources of supply. Should Seller, temporally or permanently, be unable to deliver the products for reasons not imputable to the same such as force majeure, (e.g. earthquake, strikes, lockout, lack of means of transportation, authority ordinance, floods, etc.) it will be released from all delivery and indemnification obligations towards Purchaser for the entire duration of the period in which the impediment and its effects last. Upon the occurrence of such impediment, Seller will promptly inform Purchaser thereof. In the aforesaid cases, delays in delivery shall not give any right to Purchaser to claim for damages or to cancel the order. Delivery time shall commence from the date of the order confirmation, but not before Seller having received, from Purchaser, all necessary drawings and approvals, if any, or down payment. Partial deliveries shall not be refused by Purchaser and will be paid for at contract prices and terms. If the delay, not caused by an event of force majeure, exceeds 90 (ninety) days, Purchaser will be allowed to cancel the outstanding part of the order. Each party may terminate the purchase agreement in the event that its effects, due to events mentioned above, becomes excessively onerous and therefore the contract is no longer of interest for such party. If Seller performs the installation of goods, Purchaser will have to take care of and preserve the delivered goods, until the completion of installation. Purchaser shall pick up the purchased products at the dates agreed, unless otherwise agreed between the parties. Purchaser's requests in this regard shall be taken into consideration by Seller, provided that Purchaser has made its request at least 30 (thirty) days before the original delivery date. If Purchaser does not pick up the purchased goods at the agreed date, Seller will have the right to invoice and receive payment for any equipment not picked up. The costs of storage will be born by Purchaser.

**Reserve of property**

All goods supplied shall remain property of Seller until such time as full payment will have been received from Purchaser in settlement of all pertaining Seller's invoices. Cheques and bills of exchange issued by Purchaser will be considered as payment only after having been cashed by Seller's bank.

## Claims and complains

Purchaser shall inspect the delivered goods and notify Seller, in writing and within 8 (eight) days from the delivery date, of defects found or that may be found upon a preliminary inspection, or any other claim related to the goods. Should Purchaser fail to make such notification, the goods shall be deemed as definitely accepted and in compliance with what set forth in the contract, without being prejudicial to the possibility to report any hidden defect, assuming this is within the warranty period; in any case the notification of the defects must be communicated within 8 (eight) days from the discovery thereof. If the received goods have been damaged during transit, Purchaser will have to highlight this on the C.M.R. or on the Delivery note. Expenses related to the shipment of any eventual returns shall be borne by Purchaser. Possible objections concerning part of the goods delivered, or a single shipment of the same, shall have no effect on the rest of the order, nor on the payment of goods already received and not promptly challenged.

## Payment

Payment shall be upon those terms agreed to by Purchaser and Seller. In the event there is no agreement, payment shall be by Cash in Advance. Failure by Purchaser to effect payment at due date will result in Seller cancelling all express warranties, not with standing taking recourse to remedies provided by the law. In case of delayed payment, Purchaser will automatically be charged interest calculated pursuant to the Italian decree no. 231/2002, without the need for any notice of default. In the instance of equipment held subject to Purchaser's instructions, equipment for which Purchaser has failed to supply shipping instructions, or in any case where Seller, in its own sole discretion, determines any part of the equipment purchased by Purchaser should be held for Purchaser's account, Seller may invoice the equipment and Purchaser agrees to make payment at the maturity of the invoice so rendered. Equipment invoiced held at any location, for whatever reason, shall be at Purchaser's risk and Seller may charge for insurance and storage at prevailing rates.

## Resolution of contract

The terms of payment are fundamental elements, and any default in payments or any unilateral change constitutes the right of withdrawal for Seller to stop deliveries and consider any supply agreement as rescinded without notice, intimation or other. The same is valid for Seller in the event of changes in the economic-property conditions of Purchaser (Art. 1461 C.C.).

## Drawings and installation details

Drawings, models and instructions for the installation of equipment supplied are the exclusive property of Seller; Purchaser cannot pass these to any third party. Seller shall not warrant the correctness of drawings which have not been certified by Seller. Certified drawings shall only be available upon written request from Purchaser, and shall be charged at a price to be agreed upon. Seller reserves the right to, at any time prior to delivery of certified drawings to Purchaser, make any changes in model or design of equipment, including components thereof.

## Warranty

Seller warrants to Purchaser all equipment to be free from defects in material and workmanship for a period not exceeding 1 year from the date of installation of the equipment, but for a maximum of 18 months from the shipping date. This obligation is limited to repairing and replacing, at Seller's factory, any part found faulty during said period, with the following limitations:

- a) Warranty is effective only if equipment has been installed, commissioned and maintained in accordance with Seller's instructions (Parker Hiross User Manual) and, where necessary, connected to adequate electric, water and drain services, cleaned out correctly and placed into operation by a qualified technician. The effects of erosion, corrosion and normal wear-and-tear are specifically excluded from this warranty.
- b) Seller reserves the right to, for specific products grant warranty terms only on the condition that Commissioning has been performed by Seller's Service personnel or, failing this, Service personnel authorised by Seller beforehand. In the latter case the relevant Commissioning Report must be compiled by the authorised Service personnel and sent to Seller. Failure to adhere to this procedure will result in loss of warranty.
- c) Seller reserves the right to replace a product under warranty, and will accept no costs as to the removal and installation of the products.
- d) Seller reserves the right to change or improve the design of its products without assuming any obligation to modify any product previously manufactured.
- e) Poor maintenance or improper use will result in loss of warranty.
- f) Seller shall not assume responsibility for any labour expenses incurred by Purchaser in replacing or changing defective parts or equipment covered by this warranty.
- g) This warranty is granted to original Purchaser only and cannot be transferred, unless authorised in writing by Seller. Purchaser shall notify Seller of a defect within a maximum of 8 (eight) days from the discovery thereof, and in no case later than 8 (eight) days after expiry of the above stated warranty. Purchaser will notify fault by filling out the "Passport", as distributed by Seller.

Any claims against this warranty must be substantiated at the time the fault arises, and it will be at Seller's discretion to:

- h) Supply replacement parts ex-works Seller's factory,
  - or ii) repair parts locally, with travel/living/labour expenses at Purchaser's charge,
  - or iii) authorise Purchaser to have components repaired locally,
  - or iv) authorise Purchaser to buy replacement parts locally,
  - or v) require Purchaser to return damaged parts to Seller, prepaid, for repairs.

Seller has the right to ask for components, claimed as being faulty, to be returned to its factory, transport prepaid, for inspection, or to request Purchaser to keep these parts in stock for eventual inspection by Seller's representative. Seller is not obliged to make any guarantee payments before having had the opportunity to verify said claim in either manner described above. Any requests from Purchaser founded on the warranty clause or on asserted non-fulfilment thereof on the part of Seller or others shall not in any manner authorise Purchaser to delay or modify the agreed payment terms.

**Warranty waiver**

This is a written agreement between Seller and Purchaser, representing an alternative to the Warranty described previously. Should this agreement exist, Seller will grant Purchaser a 2% discount (included in the discount communicated by Seller to Purchaser) on the price of the products; in exchange Purchaser accepts to take over all costs which, according to the previous chapter, should be covered by Seller. QSR and LCD dryers, and eventually special products not listed in the present Master Price List, do not fall under the warranty waiver agreement, remaining with the previously described warranty. These costs include (but are not limited to):

- a) Costs arising from machine break down or malfunctioning due to faulty components (i.e. electrical defects on compressors, faulty pressure switches, defective control panels, etc.).
- b) Costs resulting from repair of isolated faults, not detected during quality controls, or any related secondary damage (i.e. incorrect wiring, leaks, etc.).

The only costs to be considered not covered by Warranty Waiver discount are the costs connected to rectifying clear defects resulting from design faults in equipment, as shown by recurring defect patterns on an international scale. In this case Seller will recognize to Purchaser the cost ExWorks of the faulty component, plus the labour cost to repair the equipment. Seller will evaluate the labour cost on a case-by-case basis.

**Liability for damage to property or other caused by goods**

Purchaser shall indemnify and hold Seller harmless for any damage caused by equipment to:

- a) any (movable or immovable) property, where damage occurs while equipment is in Purchaser's possession, or
- b) products manufactured by Purchaser, or products of which Purchaser's products form a part, or for loss or damage to any property, where damages caused by these products because of properties in the equipment.

Seller shall under no circumstances be liable for loss of production, loss of profit, or any other consequential economic loss. The above is valid both within and after the warranty period.

**Invalidity of provisions**

If any of these terms shall be held invalid, illegal or unenforceable, the validity of remaining provisions shall not in any way be affected or impaired thereby.

**Individual contracts**

For all individual contracts stipulated between Seller and Purchaser, any terms within these General Terms of Sale which are not covered in the individual contract will remain valid.

**Privilege**

Seller reserves the faculty to, in case of extended payment (even partial), make use of the right of privilege (art. 2762 C.C.). The right of privilege maintains its full validity even in the event of a change in the agreed payment conditions or concessions or extension, given that these events, under explicit agreement of Purchaser, do not constitute an extension of credit, with the present terms of sale remaining unchanged. In any case, the effects of Purchaser do not affect the credit situation and are reserved and accepted for cash convenience and without any prejudice of Seller's rights.

**Intellectual property**

Trademarks, commercial names or other distinctive marks on the goods are of exclusive property of Seller, and will not be altered, changed, removed or cancelled in any manner. Purchaser can use, to the limited purpose of resale of the goods to the public, the trademarks, commercial names and other distinctive marks, as well as other industrial exclusive rights or Know-how associated with the goods, which nonetheless remain the exclusive property of Seller. Any other utilization of the Intellectual Property, if not expressly granted by Seller in writing, will be considered a violation of the aforementioned exclusive rights of Seller, also under the profile of the contractual responsibility, and will be prosecuted.

**Confidentiality**

These Conditions, all Orders and any other information or material supplied by (or on behalf of) one party to the other are strictly confidential and will not be disclosed (in whole or in part) to any other person without the disclosing party's prior written consent. The receiving party will not make use of the disclosing party's name, or any other information contained in these Conditions (or supplied pursuant to them), for publicity purposes without the disclosing party's prior written consent.

**Privacy**

Purchaser declares to be aware that all data communicated will be handled and utilized exD. Lgs. 196/2003, according to what better specified in the a later agreement of the sales contract.

**Disputes**

All disputes arising from or in connection to the contract shall be judged according to Italian law. The Court of Padua (Italy) shall have the exclusive jurisdiction.

COMPONENTS	Pos.	ATT025	ATT040
Fridge compressor kit	① ⑧	398H474489	398H474426
Fan kit	③	398H474421	
Hot gas valve kits	⑧ ⑨	398H473109	398H474433
Electrical heating kit	⑳	398H471013	
Electrical kit	FU1-3÷ KA1÷KM1 ÷B2-B4÷C÷PI ÷ Coil	398H473485	
Oring kit blocks	⑮ ⑯ ㉔	RK-ORS-KE-MT10-95	
Normally closed Pilot valve maintenance kit	⑯	RKK10-K95/V1-V4	
Normally closed Open valve maintenance kit	⑮		
Maintenace outlet valve kit (26)	㉔	RKK10-K25/25/VSRV	
Solenoid Coil 230v kit	⑳	on request	
Refrigerant condenser	②	398H114752	398H114809
Evaporator/ Separator/ Air-air heat - exchanger	④	on request	on request
High pressure switch	⑤	-	398H354053
Refrigerant filter	⑧	398H206214	398H206218
Fan pressure switch	⑫	398H354378	
High temperatur switch	⑬	398H354307	398H354343
Oil filter element	⑭	CP3025XL	CP3040XL
Discharge filter element	⑰	398H291240	
Low pressure switch	㉑ ㉒	398H354054	
Dew point meter	㉕	ZHM100/450	
Air outlet valve	㉖	RKRv-BL.G1.KE-V2	
Dust filtee element	㉗	CP3025ZL	CP3040ZL
Condensate drain solenoid valve	㉘	ETV	
Air filter Element	⑳	CP3025ZL	CP3040ZL
Flowmeter	㉓	398H275916	
Full protection heater	PI1	398H271336	
Purge Air temperature PROBE	B2	398H275559	
Heater air outlet temperature PROBE 1 -2	B3 -B4	398H275893	

COMPONENTS	Pos.	ATT025	ATT040
Air inlet temperature PROBE	B7		398H275894
Electronic control	A1		398H474091
Diplay control	A2		398H275793
Main disconnecter switch	-		398H256416
Despac adsorbent pack*	-		DESPAC5WS
Front Panel	A		398H139359
Left side panel	B		398H137999
Right side panel	C		398H137736
Rear panel	D		398H139358
Cover panel	E		398H137478

**PREVENTIVE MAINTENANCE**

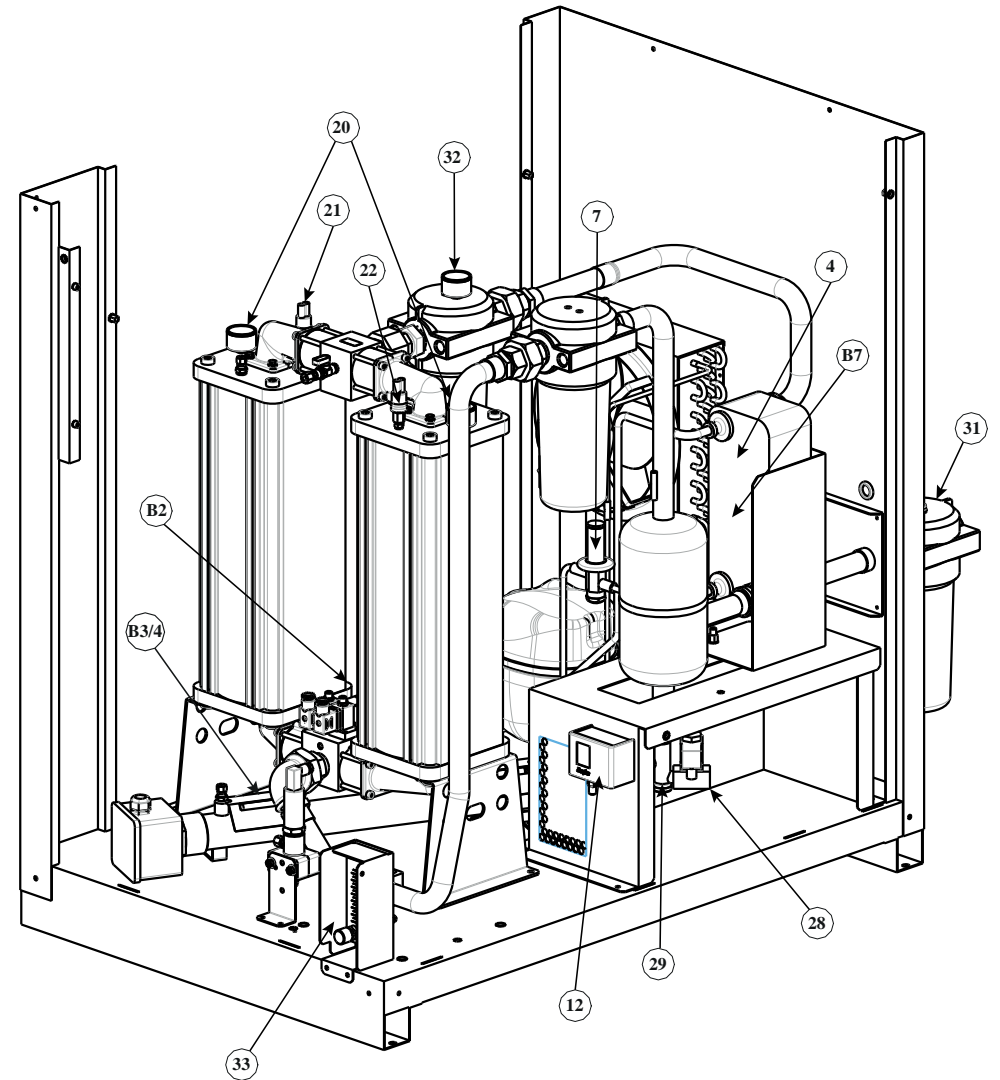
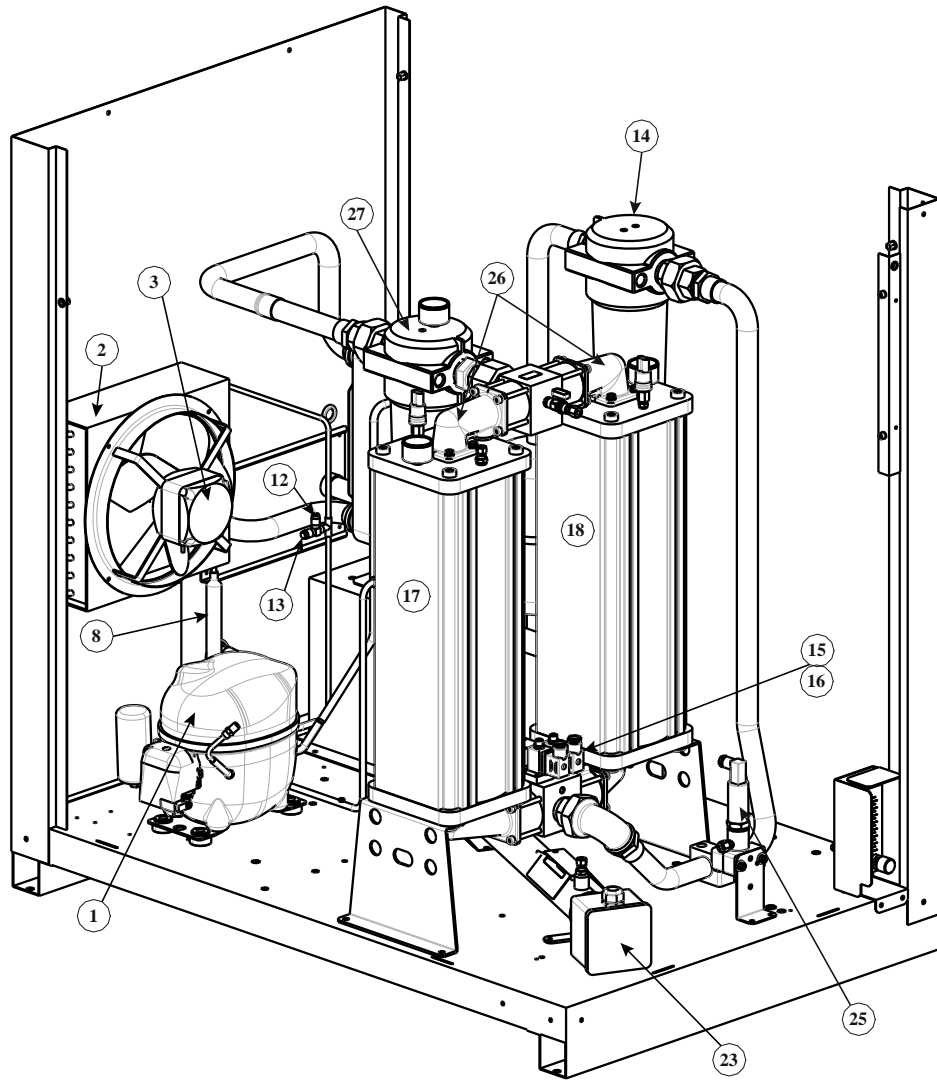
**ATT025**

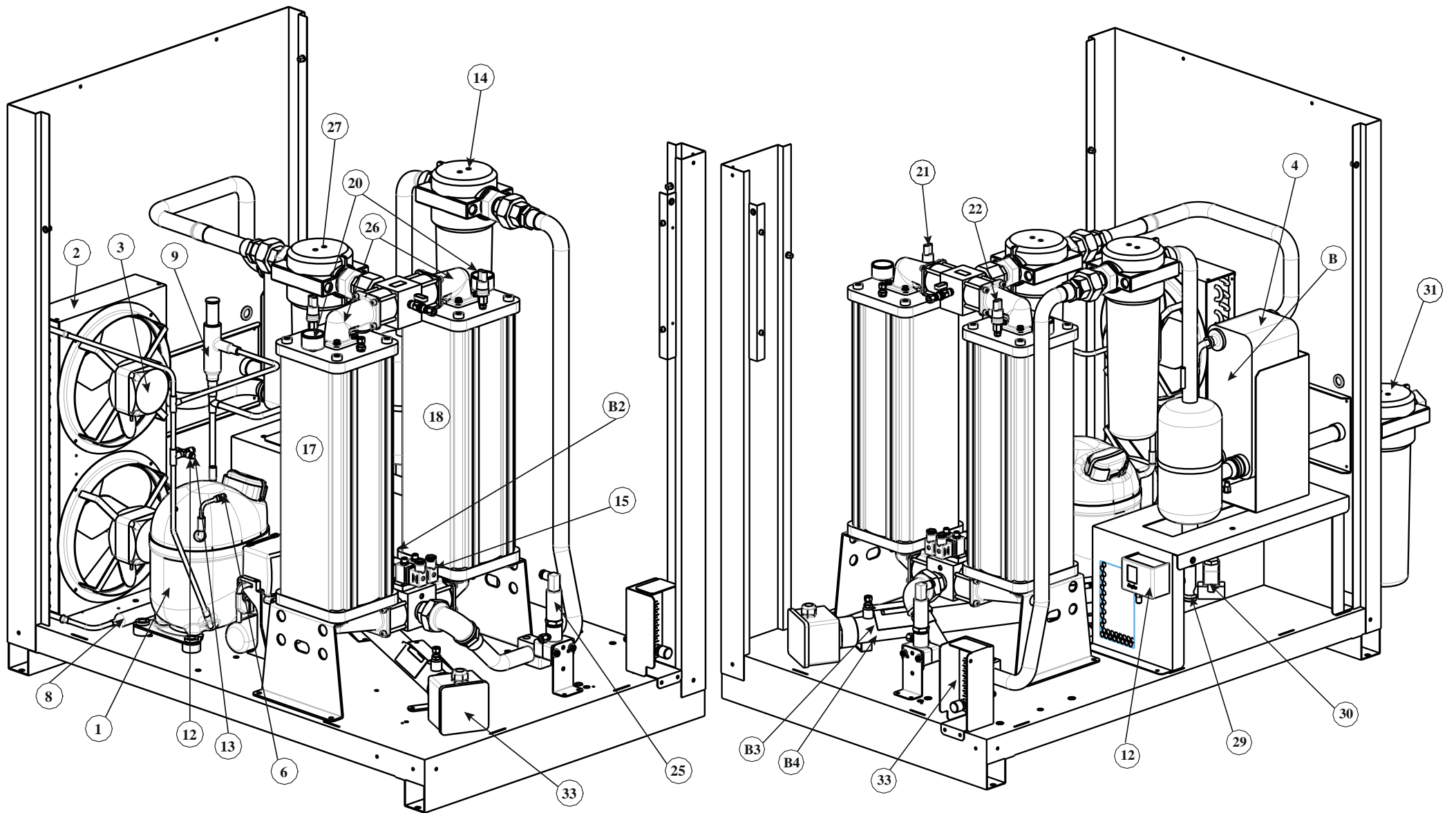
Kit / component	Quantity	Pos.	CODE	REPLACEMENT
Filter element	1	14	CP3025XL	Every 12 Month
	2	31/32	CP3025ZL	Every 12 Month
Solenoid valve	1	16	RKK10-K95/V1-V4	Every 12 Month
	1	15		Every 12 Month
Coil solenoid valve block 4pcs	1	15/16	RKESC-KE/KEN-230AV	Every 12 Month
Dew Point Sensor	1	25	ZHM100/450	Every 12 Month (recommended)
Oring set	1	15/16/26	RKK10-K25/25/VS	Every 24 Month
Wearing part for valve block	1	15/16		Every 24 Month
Wearing part non return	1	26	RKK10-K25/25/VSRV	Every 24 Month
Probe temperature (0/150°C) (wiring diagram)	1	B2	398H275559	Every 48 Month
Thermal resistance (wiring diagram)	2	B3/B4	398H275893	Every 48 Month
Probe temperature (-50/50°C) (wiring diagram)	1	B7	398H275895	Every 48 Month
Probe temperature (170°C) (wiring diagram)	2	RT1/RT2	398H275899	Every 48 Month
Despac adsorbent pack	3		DESPAC5WS	Every 48 Month
Silencer	1	19	398H291240	Every 48 Month (first time recommended after 12Month)



<b>ATT040</b>				
<b>Kit / component</b>	<b>Quantity</b>	<b>Pos.</b>	<b>CODE</b>	<b>REPLACEMENT</b>
Filter element	1	14	CP3040XL	Every 12 Month
	2	31/32	CP3040ZL	Every 12 Month
Solenoid valve	1	16	RKK10-K95/V1-V4	Every 12 Month
	1	15		Every 12 Month
Coil solenoid valve block 4pcs	1	15/16	RKESC-KE/KEN-230AV	Every 12 Month
Dew Point Sensor	1	25	ZHM100/450	Every 12 Month (recommended)
Oring set	1	15/16/26	RKK10-K25/25/VS	Every 24 Month
Wearing part for valve block	1	15/16		Every 24 Month
Wearing part non return	1	26	RKK10-K25/25/VSRV	Every 24 Month
Probe temperature (0/150°C)	1	B2	398H275559	Every 48 Month
Thermal resistance	2	B3/B4	398H275893	Every 48 Month
Probe temperature (-50/50°C)	1	B7	398H275895	Every 48 Month
Probe temperature (170°C)	2	RT1/RT2	398H275899	Every 48 Month
Despac adsorbent pack	3		DESPAC5WS	Every 48 Month
Silencer	1	19	398H291240	Every 48 Month (first time recommended after 12Month)

\* Dessiccant charge : 5 kg





COMPONENT		Pos.	ATT060	ATT090
Kit	Fridge compressor kit	(1)(7)	398H473004	398H473079
	Fan kit	(3)		398H473252
	Hot gas valve kits	(7)(8)		398H473137
	Electrical heating kit	(25)		398H471019
	First aid electrical kit	FU1-5÷ KA1 ÷ KM1 ÷ B2-B8 ÷ PI ÷ Coil		398H473486
	Inlet/purge valve bock	(40)		MV-BL.G1.5.ANTARIS
	Kit blocks oring	(28)(40)		RK-ORS-KE-MT10-95
	Maintenance outlet valve kit	(28)		RKK35-K95/40/VSRV
	ETV Discharge column2	(31)(32)		398H183109
	Air pressure manometer kit	(22)		on request
Individual spares	Refrigerant condenser	(2)		398H114791
	Evaporator/ Separator/ Air-air heat - exchanger	(4)(5)(9)		on request
	Refrigerant filter	(8)		398H206219
	Fan pressure switch	(10)		398H354272
	High pressure switch	(11)		398H354053
	Condensate drain solenoid valve	(13)(15)		ETV
	Low pressure switch	(23)(24)		398H354054
	Dew point meter	(27)		ZHM100/450
	Air outlet valve	(28)		RKRV-BL.G1.5.KE-V2
	Dust filter element	(29)	CP3040ZL	CP4040ZL
	Oil filter elementt	(30)	CP3040XL	CP4040XL
	Silencer	(33)		398H291240
	By-pass valve (optionale)	(34)		
	Flowmeter	(36)		398H275916
	Air filter Element	(37)	CP3040ZL	CP4040ZL
	Purge Air temperature sensor	B2		398H275559
	Discharge refrigerant temperature	B3		398H275559
	Heater air outlet temperature sensor	B4 B5		398H275893
	Adsorber inlet temperature sensor	B8		398H275895

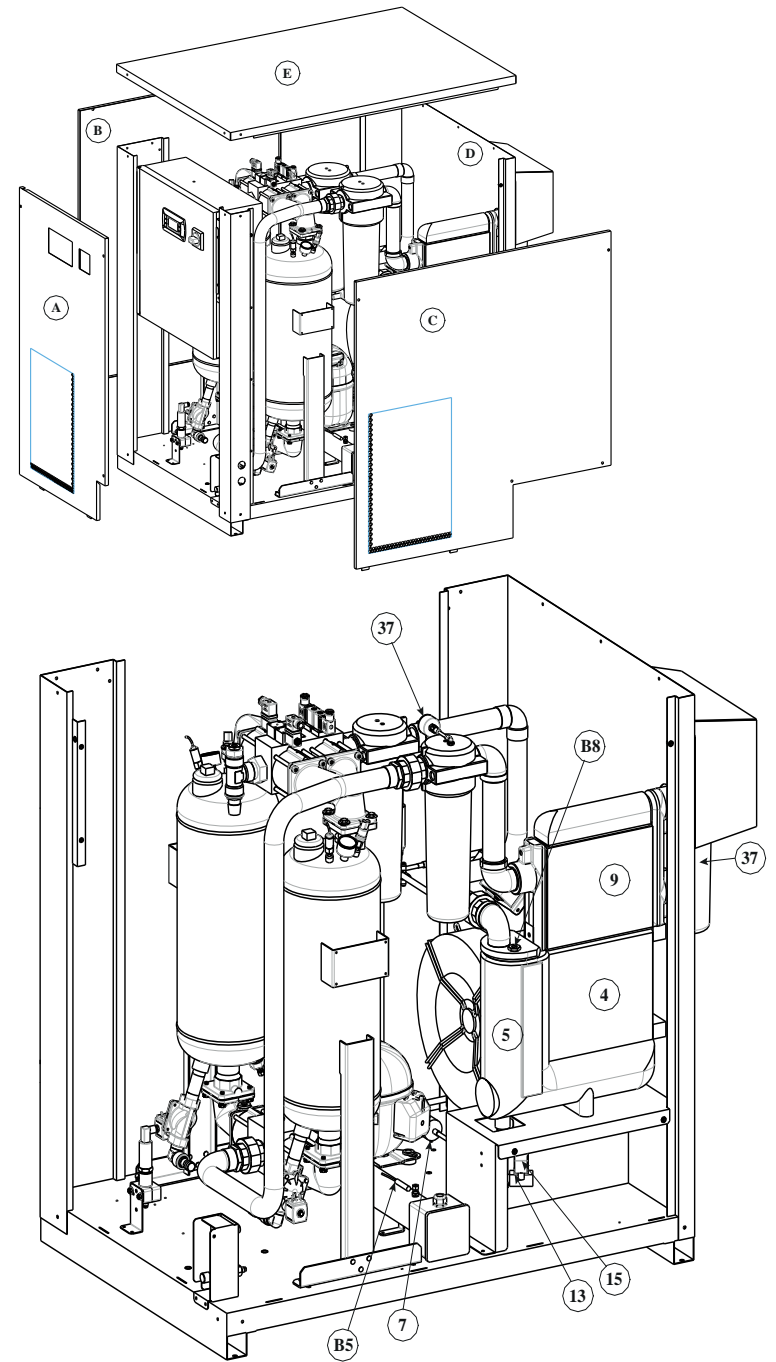
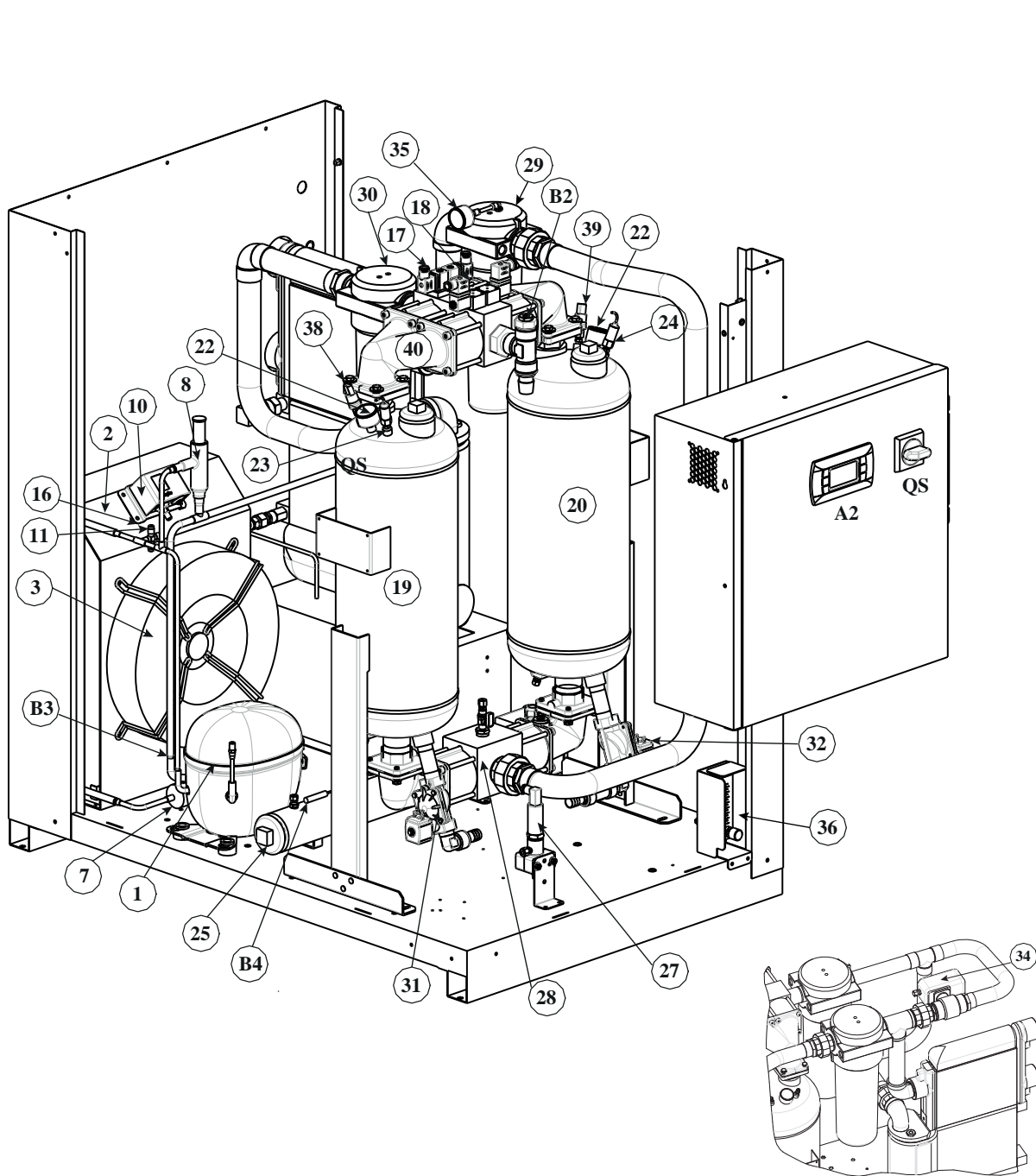
COMPONENT		Pos.	ATT060	ATT090
Individual spares	Full protection heater	PI1		398H271336
	Diplay control	A2		398H474091
	Electronic control	A1		398H275818
	Heater contactor	KM3 -KM4		on request
	Compressor/Fan automatic switch	QF1		on request
	Electrical Heater automatic switch	QF2		on request
	Main disconnecter switch	QS1		on request
	Auxiliary Tranformer	TC1		on request
	Despac adsorbent pack*	-		DESPAC5WS
	Front Panel	A		398H139370
	Left side panel	B		398H137745
	Right side panel	C		398H139371
	Rear panel	D		398H139369
	Solenoid coil 230	-		ESC-KE/KEN-230-AV

Despac adsorbent pack : 5Kg.

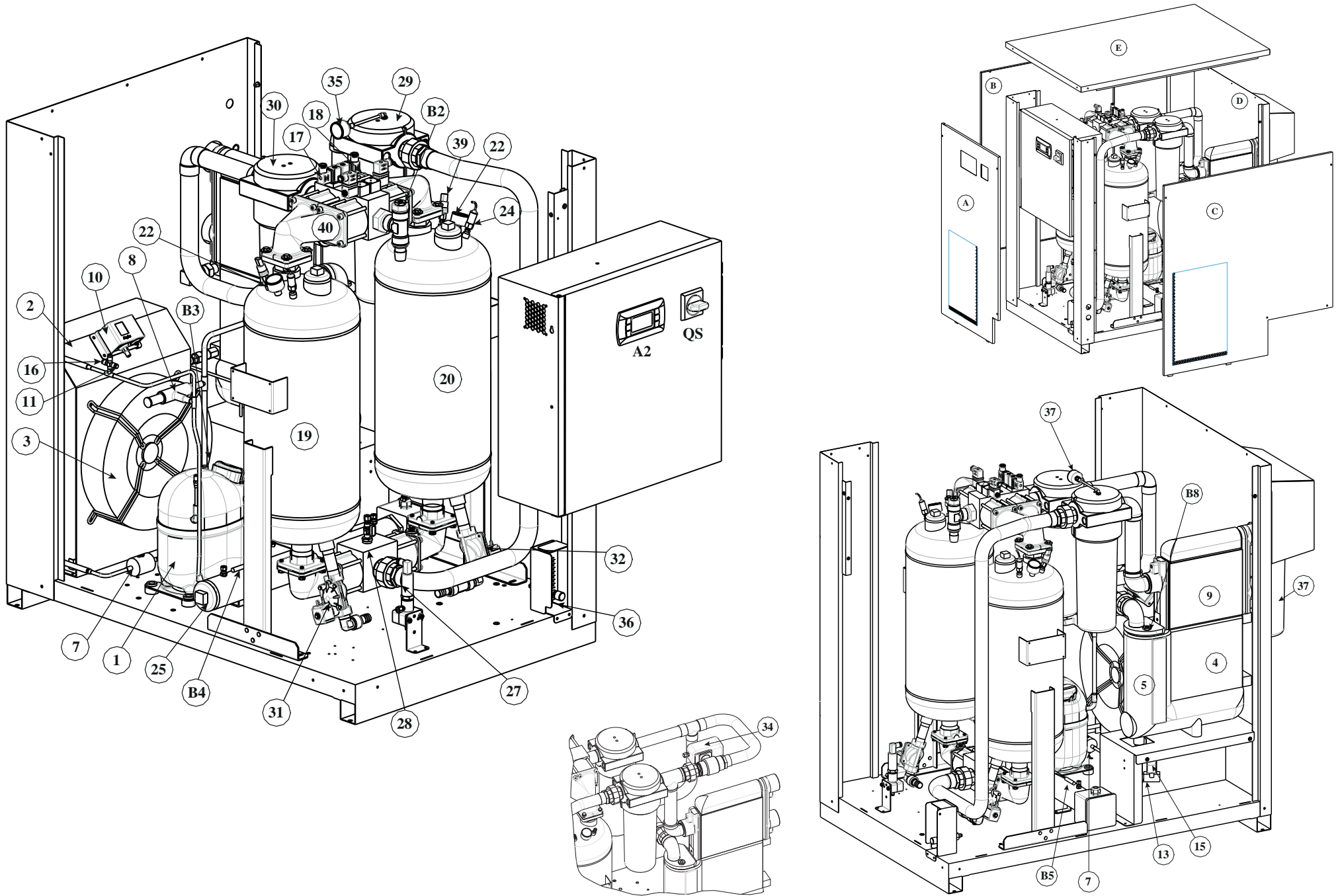
## PREVENTIVE MAINTENANCE

ATT060				
Kit / component	Quantity	Pos.	CODE	REPLACEMENT
Filter element	1	30	CP3040XL	Every 12 Month
	2	29/37	CP3040ZL	Every 12 Month
Coil solenoid valve block 4pcs	1	17/18	RKESC-KE/KEN-230AV	Every 12 Month
Dew Point Sensor	1	27	ZHM100/450	Every 12 Month (recommended)
Solenoid valve kit	1	40	RKK10-K95/V1-V4	Every 12 Month
Solenoid valve kit	1	40	RKK35-K95/40/VS	Every 24 Month
Wearing part no return valve	1	28	RKK35-K95/40/VSRV	Every 24 Month
Coil for solenoid valve block	2	31	398H254009	Every 48 Month
Pressure Transducer	2	38/39	398H275305	Every 48 Month
Probe temperature (0/150°C)	2	B2/B3	398H275559	Every 48 Month
Thermal resistance	2	B4/B5	398H275893	Every 48 Month
Probe temperature (-50/50°C)	1	B8	398H275895	Every 48 Month
Probe temperature (170°C)	2	RT1/RT2	398H275899	Every 48 Month
Despac adsorbent pack	4		DESPAC5WS	Every 48 Month
Silencer	1	33	398H291240	Every 48 Month (first time recommended after 12Month)

ATT090				
Kit / component	Quantity	Pos.	CODE	REPLACEMENT
Filter element	1	14	CP4040XL	Every 12 Month
	2	31/32	CP4040ZL	Every 12 Month
Coil solenoid valve block 4pcs	1	17/18	RKESC-KE/KEN-230AV	Every 12 Month
Dew Point Sensor	1	27	ZHM100/450	Every 12 Month (recommended)
Solenoid valve kit	1	40	RKK10-K95/V1-V4	Every 12 Month
Solenoid valve kit	1	40	RKK35-K95/40/VS	Every 24 Month
Wearing part no return valve	1	28	RKK35-K95/40/VSRV	Every 24 Month
Coil for solenoid valve block	2	31	398H254009	Every 48 Month
Pressure Transducer	2	38/39	398H275305	Every 48 Month
Probe temperature (0/150°C)	2	B2/B3	398H275559	Every 48 Month
Thermal resistance	2	B4/B5	398H275893	Every 48 Month
Probe temperature (-50/50°C)	1	B8	398H275895	Every 48 Month
Probe temperature (170°C)	2	RT1/RT2	398H275899	Every 48 Month
Despac adsorbent pack	6		DESPAC5WS	Every 48 Month
Silencer	1	33	398H291240	Every 48 Month (first time recommended after 12Month)









COMPONENTS		Pos.	ATT140	ATT260	ATT340
individual spares	Fridge compressor	①	398H147786	398H147763	398H147770
	Refrigerant condenser	②	398H114761	398H114796	398H114797
	Fan motor	③	398H473041	398H381397	
	Evaporator	④	on request	on request	on request
	Refrigerant filter	⑦	398H206221	398H206223	
	Hot gas valve kit	⑦⑧	398H473138	398H473139	
	Electrical kit	FU1-5 ÷ KA1 ÷ KM1 ÷ B2-B8 ÷ PI ÷ Coil	398H473487		
	Fan pressure switch	⑩	398H354372		
	High pressure switch	⑪	398H354053	398H354052	
	Safety low pressure switch	⑫	398H354054		
	Condensatedrain solenoid valve	⑬	398H698218		
	Air purge valve	⑱	-	398H378999Y030	
	Air filter element	⑳㉓	CP4065ZL ㉓	CP5080ZL ㉑	
	Air pressure manometer	㉒	P3D-KAB1AHN		
	Low pressure manometer	㉔㉕	398H354054	398H354115	
	Electrical heater kit	㉖	398H471020	398H471009	
	Dew point sensor	㉗	ZHM100/450		
	Wearing part for no return valve kit	㉘	RKK35-95/40/VSRV	-	
	3-way valve seals PTFE kit spare sphere o-ring kit	㉘	-	398H378999Y031 on request on request on request	
	Dust filter element	㉙	CP4065ZL	CP5080ZL	
	Oil filter element	㉚	CP4065XL	CP5080XL	
	ETV Discharge column	㉛	398H183111		
	Coil for solenoid valve	㉛㉜㉝	398H254009		
	Air purge silencer/filter	㉛ ㉛	398H291240 ㉛	398H291240 ㉛	
	Hot gas solenoid valve / Liquid solenoid valve	㉜ ㉜	398H378734		
	By-pass valve	㉝	optional		

COMPONENTS		Pos.	ATT140	ATT260	ATT340
individual spares	Pressure regulator kit	③⑦ ④①	-	398H473550	
	Inlet/purge valve bock	④①	MV-BL.G2.ANTARIS	-	
	Flowmeter	③⑧	398H275916		
	Air pressure sensor column	③⑨ ④①	398H275305		
	No return valve	④③	-	398H378151	
	Pneumatic valve without by-pass with by-pass	④④	-	398H473551 398H473552	
	Full protection heater PI2		398H271336		
	Purge Air temperature sensor / Discharge refrigerant temperature sensor	B2-B3	398H275559		
	Heater air outlet temperature sensor 1-2	B4-B5	398H275893		
	Ad inlet temperature sensor / Thermal mass temperature sensor	B9-B10	398H275894		
	Electronic control	A1	398H474092		
	Display control	A2	398H275393		
	Main disconnecter switch	QS1	398H256416	398H256419	
	Compressor/fan automatic switch/ Electrical heater automatic switch	QF1	398H256233		
	Electrical heater automatic switch	QF2		398H256233	
	Despac adsorbent pack *	-	DESPAC5WS		
	Front panel	A	398H139354		
	Left side panel/Front Left side panel	B/1B	398H139350		
	Back Left side panel	2B	-	398H139349	
	Right side panel/Condensate right side panel	C/1C	398H139375	398H139346	
	Back Right side panel	2C	-	398H139348	
	Rear panel	D	398H139374	398H139115	
	Fan Cover panel	E/1E	398H139376	398H139345	
	Back Cover panel	2E	-	398H137347	

Despac adsorbent pack : 5 Kg.

**PREVENTIVE MAINTENANCE**

<b>ATT140</b>				
<b>Kit / component</b>	<b>Quantity</b>	<b>Pos.</b>	<b>CODE</b>	<b>REPLACEMENT</b>
Filter element	1	30	CP4065XL	Every 12 Month
	2	29/33	CP4065ZL	Every 12 Month
Coil solenoid valve block 4pcs	1	18	RKESC-KE/KEN-230AV	Every 12 Month
Dew Point Sensor	1	27	ZHM100/450	Every 12 Month (recommended)
Solenoid valve kit	1	17	RKK10-K95/V1-V4	Every 12 Month
Solenoid valve kit	1	41	RKK35-K95/40/VS	Every 24 Month
Wearing part no return valve	1	28	RKK35-K95/40/VSRV	Every 24 Month
Coil for solenoid valve	4	31/32/34	398H254009	Every 48 Month
Coil for condensate drain solenoid valve	1	13	398H254055	Every 48 Month
Pressure Transducer	2	39/40	398H275305	Every 48 Month
Probe temperature (0/150°C)	2	B2/B3	398H275559	Every 48 Month
Thermal resistance	2	B4/B5	398H275893	Every 48 Month
Probe temperature (-50/50°C)	2	B9/B10	398H275895	Every 48 Month
Probe temperature (170°C)	3	RT1/RT2/RT3	398H275899	Every 48 Month
Despac adsorbent pack	8		DESPAC5WS	Every 48 Month
Silencer	1	21	398H291240	Every 48 Month (first time recommended after 12Month)

<b>ATT260</b>				
<b>Kit / component</b>	<b>Quantity</b>	<b>Pos.</b>	<b>CODE</b>	<b>REPLACEMENT</b>
Filter element	1	30	CP5080XL	Every 12 Month
	2	21/29	CP5080ZL	Every 12 Month
Dew Point Sensor	1	27	ZHM100/450	Every 12 Month (recommended)
Angle body valve	2	18	398H378999Y030	Every 24 Month
Solenoid valve	2	31	398H183111	Every 24 Month
Coil for solenoid valve	4	31/32/34	398H254009	Every 24 Month
Coil for condensate drain solenoid valve	1	13	398H254055	Every 48 Month
Pneumatic control kit	1	44	398H473551	Every 48 Month
Pressure Transducer	2	39/40	398H275305	Every 48 Month
Probe temperature (0/150°C)	2	B2/B3	398H275559	Every 48 Month
Thermal resistance	2	B4/B5	398H275893	Every 48 Month
Probe temperature (-50/50°C)	2	B9/B10	398H275895	Every 48 Month
Probe temperature (170°C)	3	RT1/RT2/RT3	398H275899	Every 48 Month
Despac adsorbent pack	15		DESPAC5WS	Every 48 Month
Silencer	1	33	398H291240	Every 48 Month (first time recommended after 12Month)

ATT340				
Kit / component	Quantity	Pos.	CODE	REPLACEMENT
Filter element	1	30	CP5080XL	Every 12 Month
	2	21/29	CP5080ZL	Every 12 Month
Dew Point Sensor	1	27	ZHM100/450	Every 12 Month (recommended)
Angle body valve	2	18	398H378999Y030	Every 24 Month
Solenoid valve	2	31	398H183111	Every 24 Month
Coil for solenoid valve	4	31/32/34	398H254009	Every 24 Month
Coil for condensate drain soleniod valve	1	13	398H254055	Every 48 Month
Pneumatic control kit	1	44	398H473551	Every 48 Month
Pressure Trasduter	2	39/40	398H275305	Every 48 Month
Probe temperature (0/150°C)	2	B2/B3	398H275559	Every 48 Month
Thermal resistance	2	B4/B5	398H275893	Every 48 Month
Probe temperature (-50/50°C)	2	B9/B10	398H275895	Every 48 Month
Probe temperature (170°C)	3	RT1/RT2/RT3	398H275899	Every 48 Month
Despac adsorbent pack	19		DESPAC5WS	Every 48 Month
Silencer	1	33	398H291240	Every 48 Month (first time recommended after 12Month)

