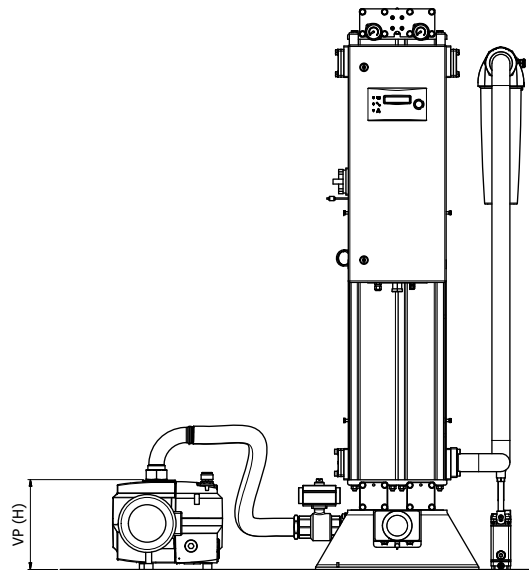
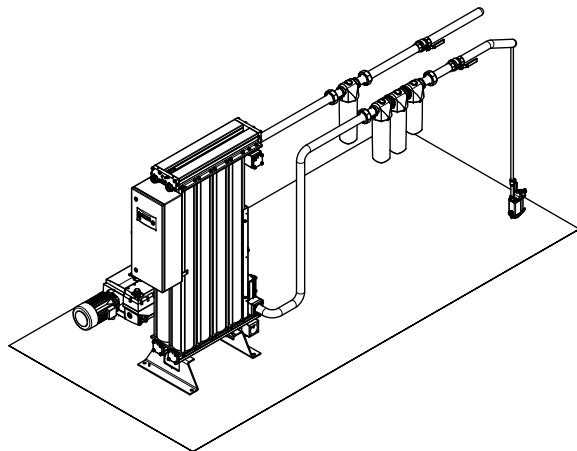


GROUND LEVEL



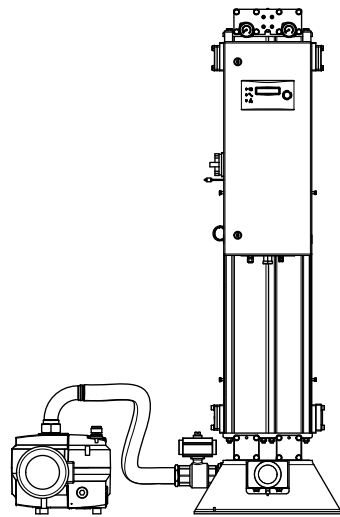
ECO No. 0033491	REV -
PLEASE CONSIDER THE ENVIRONMENT PRIOR TO PRINTING THIS DRAWING	
<b>DO NOT SCALE - IF IN DOUBT ASK</b>	
BASED ON BS 8888 DIMENSIONS IN MILLIMETRES	
GENERAL TOLERANCES UNLESS OTHERWISE STATED	
MACHINED DIMENSIONS	UP TO 300 ±0.3
	OVER 300 TO 600 ±0.5
POSITIONAL TOLERANCE	±0.13
PLAIN HOLES	±0.26
TAPPED HOLES	±0.13
SHAPE TOLERANCE TO BS 1174	0.13 TIR
CONCENTRICITY TOLERANCE	
MACHINED SURFACES INDICATED THUS	
SURFACE FINISH TO BS 1174	
VALUES IN MICROMETRES	
ANGLES ±1.0° (EXCEPT CHAMFERS)	
METRIC THREADS TO BS 8463 MED. CLASS	
EXTERNAL	INTERNAL
PIPE THREADS	
PRESSURE TIGHT TO BS 31	
SHEET METALWORK & FABRICATIONS	
SHEET METALWORK DIMENSIONS	
UP TO 500	±0.5
OVER 500 TO 1000	±1.0
OVER 1000	±1.5
FABRICATED PARTS DIMENSIONS	
UP TO 500	±2
OVER 500 TO 1000	±4
OVER 1000	±6
POSITIONAL TOLERANCE FOR FLAIN & TAPPED HOLES	
UP TO 500	±0.0
OVER 500	±0.0
Parker Hannifin Manufacturing Ltd domnick hunter Filtration & Separation Division Dukeway, Team Valley Gateshead, Tyne & Wear England, NE11 0BZ TEL +44 (0)191 402 9000 FAX +44 (0)191 482 6296 <a href="http://www.parker.com/dfs">www.parker.com/dfs</a>	
THIS DOCUMENT IS COPYRIGHT AND IS THE PROPERTY OF PARKER HANNIFIN LTD. IT MUST NOT BE COPIED IN WHOLE OR PART, USED FOR MANUFACTURE OF, OR OTHERWISE DISCLOSED WITHOUT PRIOR WRITTEN CONSENT OF THE COMPANY. © 2011 A1	

MXLE 104 INSTALLATION SHOWN

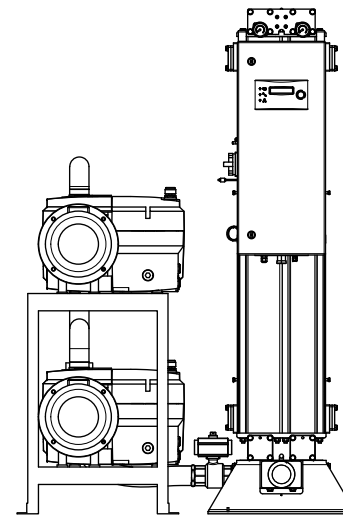
MATERIAL	SCALE		DRAWN	CHECKED	APPROVED	TITLE
GEN ARRGT.	1:9		NAME	KRS	SB	MXLE INSTALLATION DRAWING
			DATE	06/02/2013	19/02/2013	

DRG No.	SHEET
101-10281	1/2

Model	Pipe Size	Height (H)	Width (W)	Depth (D)	Dryer Weight	DIM (a)	DIM (b)	DIM (c)	DIM (d)	VP (H)	VP (W)	VP (D)	VAC Pump Weight
MXLE 102C	2"	1647mm (64.8")	793.5mm (31.5")	550mm (21.7")	265kg (583lbs)	360.5mm (14.2")	1461mm (57.5")	500mm (19.7")	322mm (12.7")	355mm (13.8")	900mm (35.4")	531mm (20.9")	129kg (284lbs)
MXLE 103C	2"	1647mm (64.8")	962.5mm (37.9")	550mm (21.7")	346kg (761lbs)	360.5mm (14.2")	1461mm (57.5")	500mm (19.7")	491mm (19.3")	355mm (13.8")	900mm (35.4")	531mm (20.9")	129kg (284lbs)
MXLE 103	2"	1892mm (74.5")	962.5mm (37.9")	550mm (21.7")	385kg (847lbs)	360.5mm (14.2")	1706mm (67.2")	500mm (19.7")	491mm (19.3")	385mm (15.2")	998mm (39.3")	531mm (20.9")	163kg (359lbs)
MXLE 104	2"	1892mm (74.5")	1131.5mm (44.6")	550mm (21.7")	480kg (1056lbs)	360.5mm (14.2")	1706mm (67.2")	500mm (19.7")	660mm (26.0")	385mm (15.2")	1084mm (42.7")	531mm (20.9")	178kg (392lbs)
MXLE 105	2.1/2"	1892mm (74.5")	1300.5mm (51.2")	550mm (21.7")	573kg (1261lbs)	360.5mm (14.2")	1706mm (67.2")	500mm (19.7")	829mm (32.6")	385mm (15.2")	1084mm (42.7")	531mm (20.9")	178kg (392lbs)
MXLE 106	2.1/2"	1892mm (74.5")	1469.5mm (57.9")	550mm (21.7")	667kg (1467lbs)	360.5mm (14.2")	1706mm (67.2")	500mm (19.7")	998mm (39.3")	1185mm (46.7")	1128mm (44.4")	585mm (23")	371kg (816lbs)
MXLE 107	2.1/2"	1892mm (74.5")	1641.5mm (64.6")	550mm (21.7")	761kg (1674lbs)	360.5mm (14.2")	1706mm (67.2")	500mm (19.7")	1167mm (45.9")	1185mm (46.7")	1128mm (44.4")	585mm (23")	386kg (849lbs)
MXLE 108	2.1/2"	1892mm (74.5")	1807.5mm (71.2")	550mm (21.7")	855kg (1881lbs)	360.5mm (14.2")	1706mm (67.2")	500mm (19.7")	1336mm (52.6")	1185mm (46.7")	1128mm (44.4")	585mm (23")	401kg (882lbs)



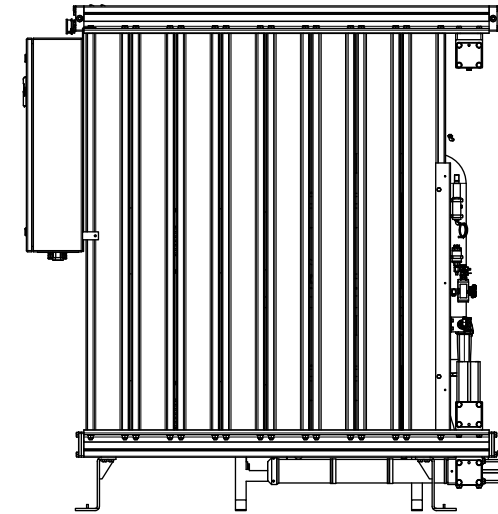
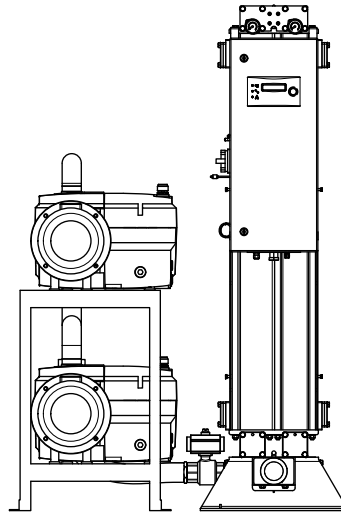
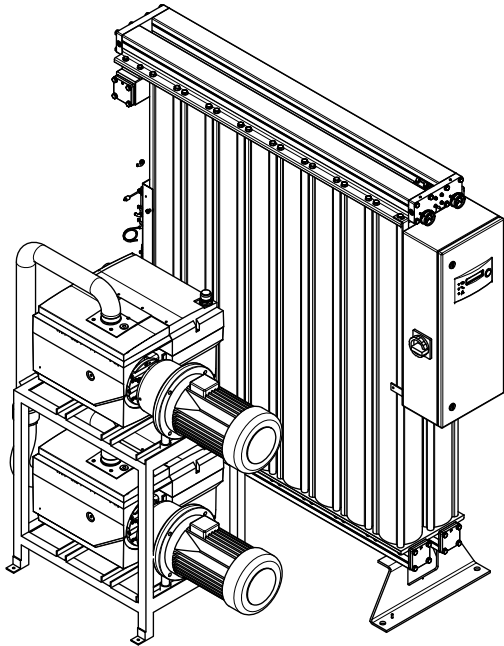
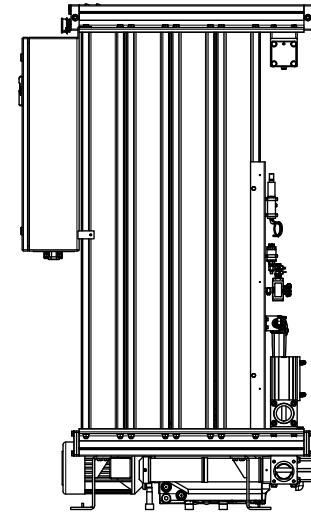
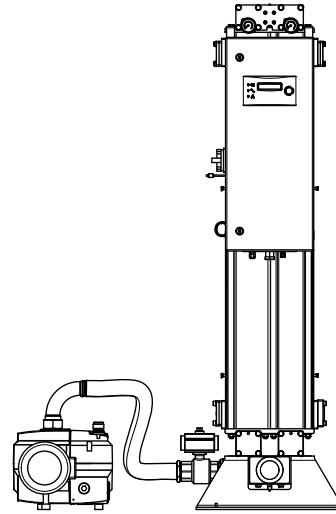
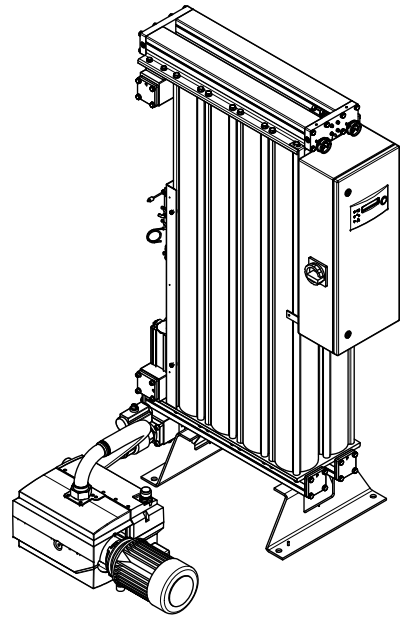
SINGLE VACUUM PUMP  
102C - 105



DUPLEX VACUUM PUMP  
106 - 108

ECO No. 0033491	REV -
PLEASE CONSIDER THE ENVIRONMENT PRIOR TO PRINTING THIS DRAWING	
<b>DO NOT SCALE - IF IN DOUBT ASK</b>	
BASED ON BS 8888 DIMENSIONS IN MILLIMETRES	
GENERAL TOLERANCES UNLESS OTHERWISE STATED	
MACHINED DIMENSIONS	±0.13
UP TO 300	±0.3
OVER 300 TO 600	±0.5
POSITIONAL TOLERANCE	±0.13
PLAIN HOLES	±0.26
TAPPED HOLES	±0.13 TIR
CONCENTRICITY TOLERANCE	0.13 TIR
MACHINED SURFACES INDICATED THUS	
SURFACE TEXTURE TO BS 1134	
VALUES IN MICROMETRES	
ANGLES ±1/2° (EXCEPT CHAMFERS)	
METRIC THREADS TO BS 843 MED. CLASS	
EXTERNAL	INTERNAL
PIPE THREADS	
PRESSURE TIGHT TO BS 21	
SHEET METALWORK & FABRICATIONS	
SHEET METALWORK DIMENSIONS	
UP TO 500	±0.5
OVER 500 TO 1000	±1.0
OVER 1000	±1.5
FABRICATED PARTS DIMENSIONS	
UP TO 500	±1
OVER 500 TO 1000	±1.5
OVER 1000	±2
POSITIONAL TOLERANCE FOR FLAT & TAPPED HOLES	
UP TO 500	±0.0
OVER 500	±0.0
Parker Hannifin Manufacturing Ltd domnick hunter Filtration & Separation Division Dukeway, Team Valley Gateshead, Tyne & Wear England, NE11 0JZ TEL +44 (0)191 402 9000 FAX +44 (0)191 482 6296 www.parker.com/dfs	
THIS DOCUMENT IS COPYRIGHT AND IS THE PROPERTY OF PARKER HANNIFIN LTD. IT MUST NOT BE COPIED IN WHOLE OR PART, USED FOR MANUFACTURE OF, OR OTHERWISE DISCLOSED WITHOUT PRIOR WRITTEN CONSENT OF THE COMPANY.	
DRG No.	SHEET
101-10281	2 / 2

MATERIAL	SCALE	DRAWN	CHECKED	APPROVED	TITLE
GEN ARRGT.	1:9	NAME	KRS	SB	MXLE INSTALLATION
		DATE	06/02/2013	19/02/2013	DRAWING



ECO No. 0033491	REV -
PLEASE CONSIDER THE ENVIRONMENT PRIOR TO PRINTING THIS DRAWING	
<b>DO NOT SCALE - IF IN DOUBT ASK</b>	
DIMENSIONS IN MILLIMETRES	
GENERAL TOLERANCES UNLESS OTHERWISE STATED	
MACHINED DIMENSIONS	Ø 1 TO 300 ±0.3
	Ø 300 TO 600 ±0.5
POSITIONAL TOLERANCE	Ø0.13
PLAIN HOLES	Ø0.26
TAPPED HOLES	Ø0.26
CONCENTRICITY TOLERANCE	0.13 TIR
MACHINED SURFACES INDICATED THUS	
SURFACE TEXTURE TO BS 1514	
VALUES IN MICROMETRES	
ANGLES	±1/2° (EXCEPT CHAMFERS)
METRIC THREADS TO BS 8413 MED. CLASS	
EXTERNAL	INTERNAL
PIPE THREADS	
PRESSURE TIGHT TO BS 21	
SHEET METALWORK & FABRICATIONS	
SHEET METALWORK DIMENSIONS	
UP TO 500	±0.5
OVER 500 TO 1000	±1.0
OVER 1000	±1.5
FABRICATED PARTS DIMENSIONS	
UP TO 500	±2
OVER 500 TO 1000	±4
OVER 1000	±6
POSITIONAL TOLERANCE FOR PLAIN & TAPPED HOLES	
UP TO 500	Ø1.0
OVER 500	Ø2.0



THIS DOCUMENT IS COPYRIGHT AND IS THE PROPERTY OF  
 PARKER HANNIFIN LTD. IT MUST NOT BE COPIED IN  
 WHOLE OR PART, USED FOR MANUFACTURE OF, OR  
 OTHERWISE DISCLOSED WITHOUT PRIOR  
 WRITTEN CONSENT OF THE COMPANY. © 2011 A1

MATERIAL	SCALE		DRAWN	CHECKED	APPROVED	TITLE
GEN ARRGT	1:10		NAME	KRS	SB	MXLE - VACUUM PUMP COMPARISON
			DATE	18/02/2013	19/02/2013	

DRG No.	SHEET
101-10282	1 / 1