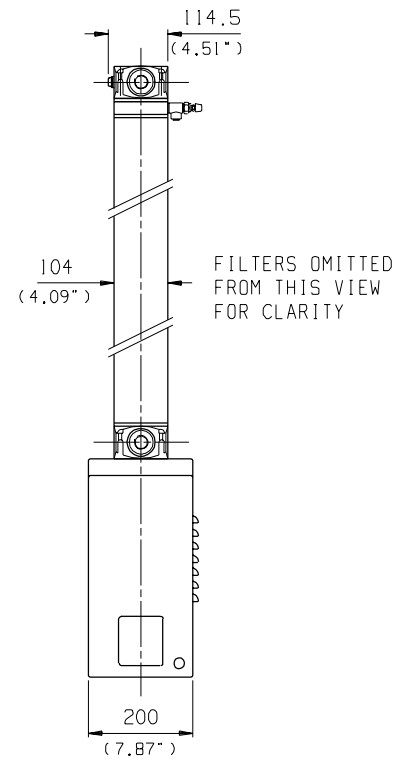
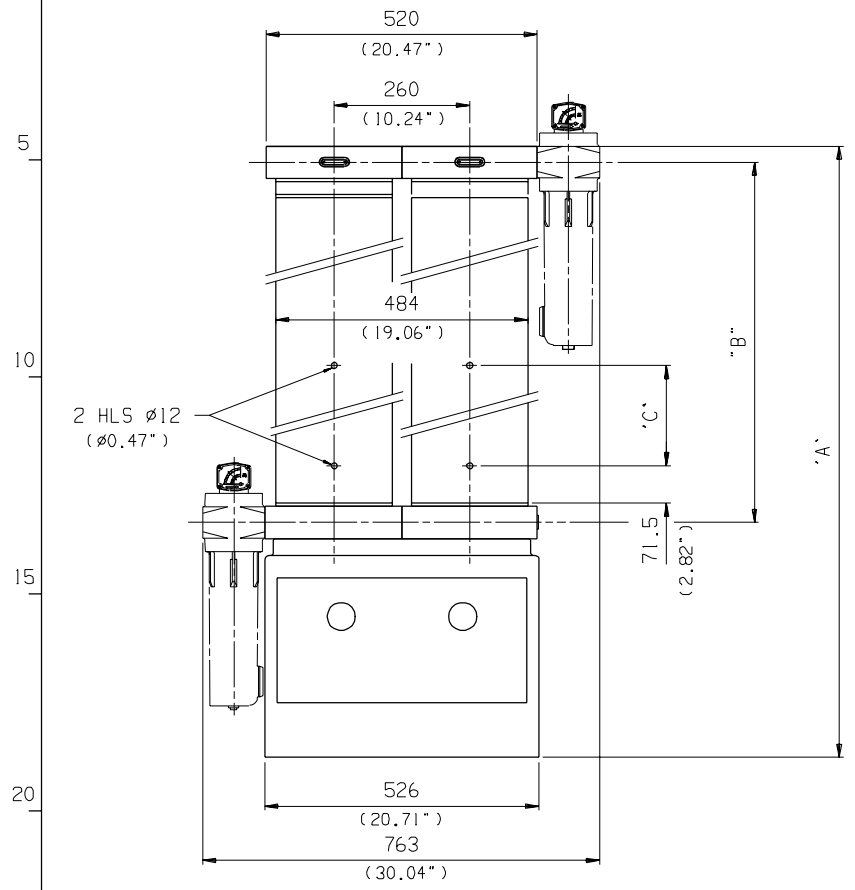


A B C D E F G H

BASED ON B.S.308

DO NOT SCALE IF IN DOUBT ASK

DIMENSIONS IN MILLIMETRES
DIMENSIONS () INCHES IMPERIAL



DUPLEX	METRIC mm			IMPERIAL (INCHES)		
	DIMEN 'A'	DIMEN 'B'	DIMEN 'C'	DIMEN 'A'	DIMEN 'B'	DIMEN 'C'
DM050	1414	932	341.5	(55.67")	(36.69")	(13.44")
DM060	1580	1098	424.5	(62.2")	(43.23")	(16.71")
DM080	1828	1346	548.5	(71.97")	(53.0")	(21.59")

REV	DCO No.	DATE	NAME
3	16723	300c+96	DD
2	11010	100c+95	JM
1	8858	9Nov 94	JM
0	5148	300c+91	JM



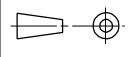
DOMNICK HUNTER
FILTERS LIMITED
DURHAM ROAD, BIRTLEY
Co., DURHAM, ENGLAND
Tel: 091 410 5121
Telex: 537282
Telefax: 091 410 7621

THE ORIGINAL OF THIS DRAWING IS COPYRIGHT AND CONTAINS CONFIDENTIAL INFORMATION. IT IS THE PROPERTY OF DOMNICK HUNTER FILTERS WITHOUT WHOSE PERMISSION IT MAY NOT BE COPIED, SHOWN OR HANDED TO A THIRD PARTY OR OTHERWISE USED AND IT IS TO BE RETURNED PROMPTLY UPON REQUEST TO DOMNICK HUNTER. ©1991 A3

GENERAL TOLERANCES UNLESS OTHERWISE STATED
.XX ±0.1 UP TO 300 +0.5 ANGLES OTHERWISE STATED
.X ±0.25 OVER 300 +1.0 * 1/2" METRIC THREADS TO B.S.3643 MEDIUM CLASS

MATERIAL
GEN. ARR'G'T.

SCALE
1 : .12



NAME	DRAWN	CHECKED	APPROVED	TITLE
DATE	JM	NC	NC	G.A. DM050-DM080
	300c+91	310c+91	5Nov91	

DRG. No	SHEET
101-2227	[of]

A B C D E F G H