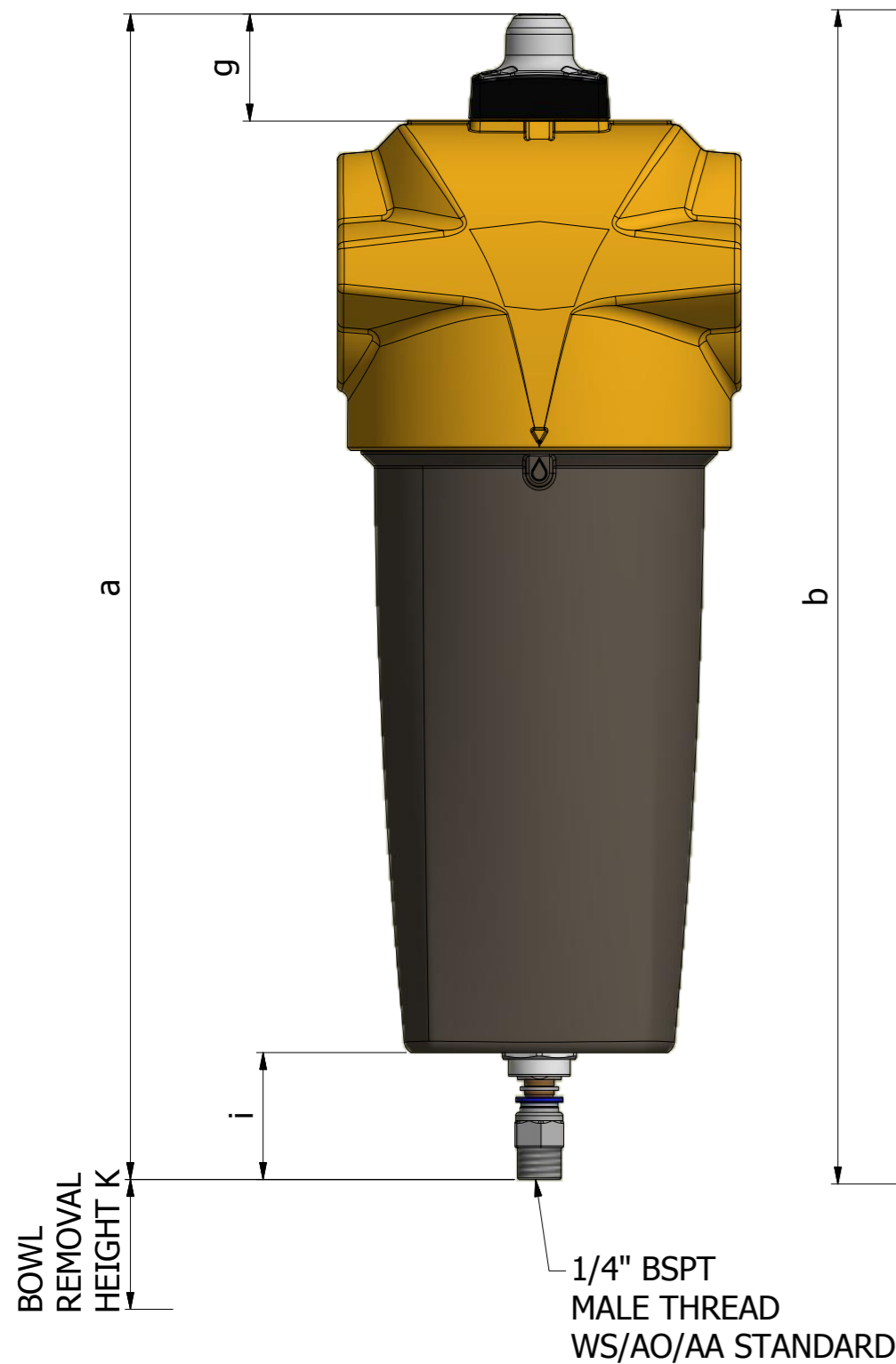
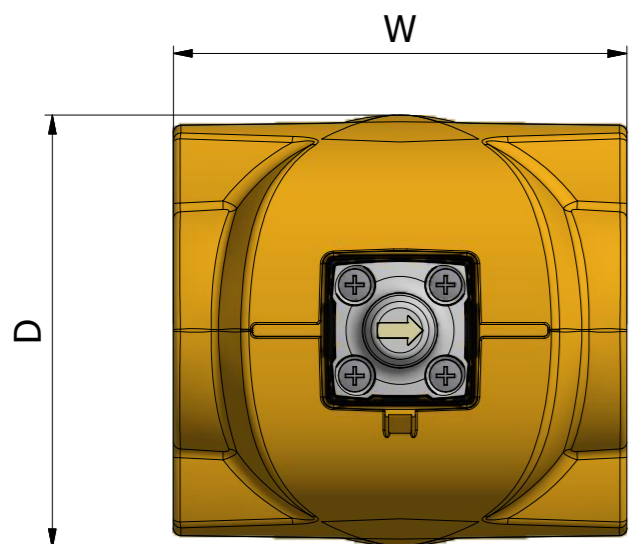
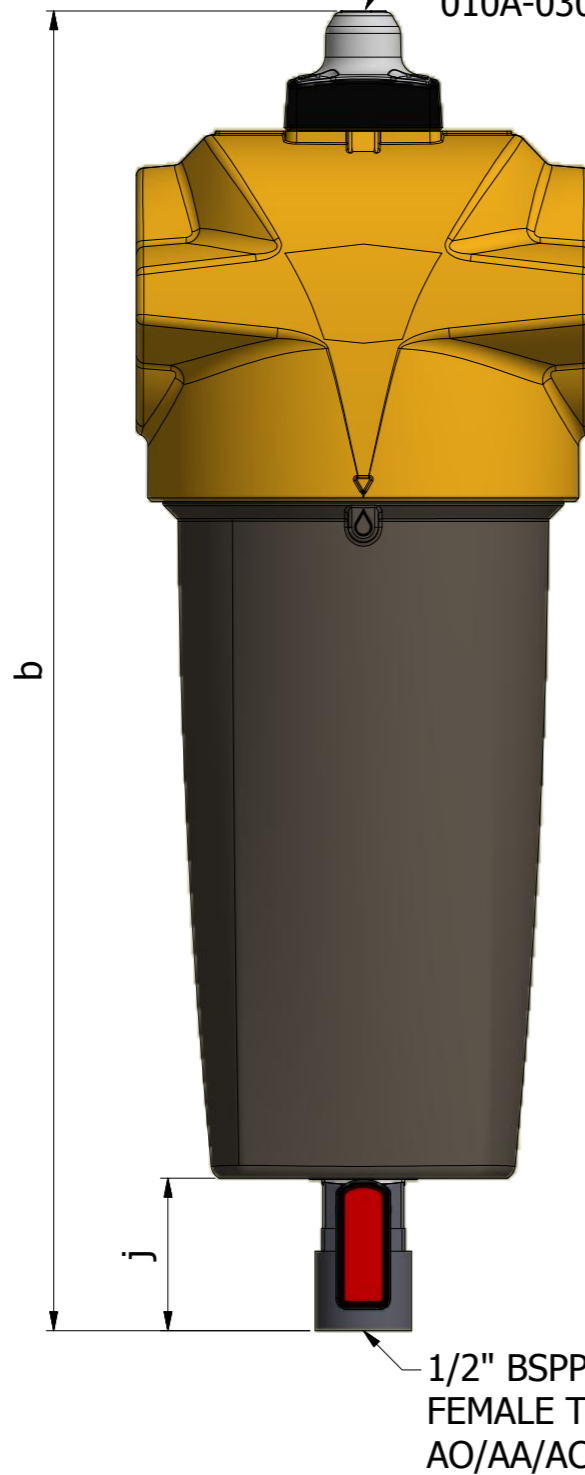


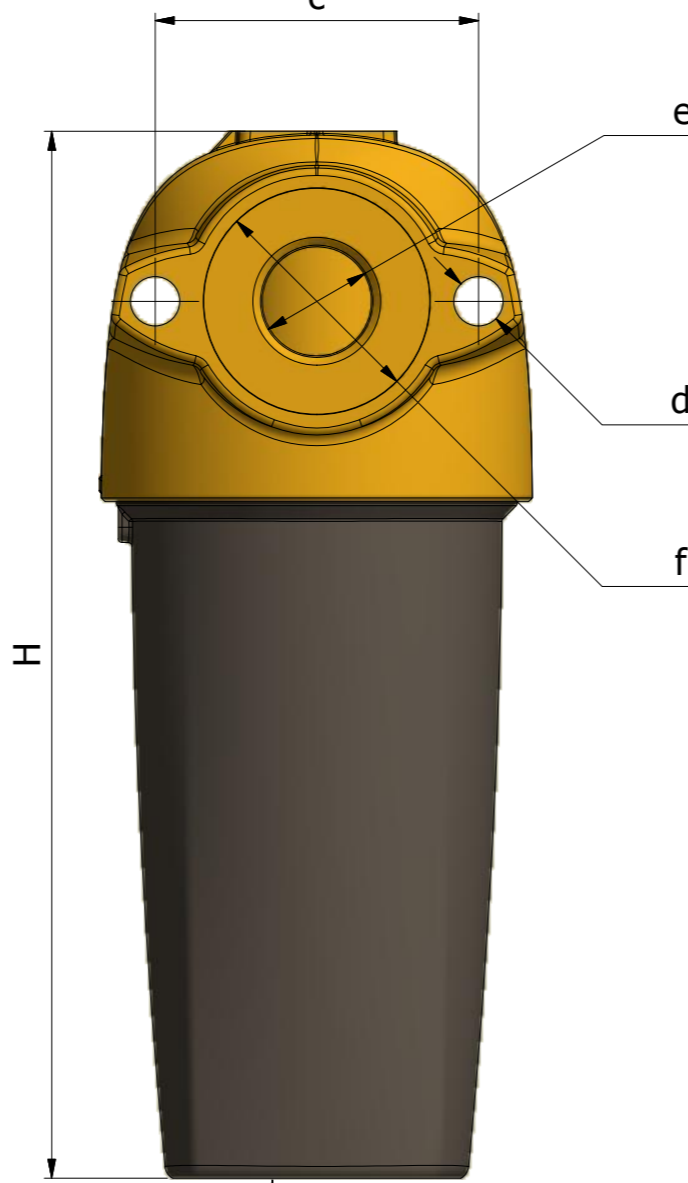
		HEIGHT (H)		WIDTH (W)		DEPTH (D)		WEIGHT		a		b		c		d		e	f		g		i		j		k		l	
		mm	ins	mm	ins	mm	ins	kg	lbs	mm	ins	mm	ins	mm	ins	mm	ins	ins	mm	ins	mm	ins	mm	ins	mm	ins	mm	ins	mm	ins
WS/F	010A	180.0	7.09	76.0	2.99	66	2.60	0.61	1.34	249.0	9.80	249.0	9.80	42.0	1.65	6.5	0.26	1/4"	30.0	1.18	31.0	1.22	38.0	1.50	38.0	1.50	50	1.97	-	-
WS/F	010B	180.0	7.09	76.0	2.99	66	2.60	0.61	1.34	249.0	9.80	249.0	9.80	42.0	1.65	6.5	0.26	3/8"	30.0	1.18	31.0	1.22	38.0	1.50	38.0	1.50	50	1.97	-	-
WS/F	010C	180.0	7.09	76.0	2.99	66	2.60	0.61	1.34	249.0	9.80	249.0	9.80	42.0	1.65	6.5	0.26	1/2"	30.0	1.18	31.0	1.22	38.0	1.50	38.0	1.50	50	1.97	-	-
WS/F	015C	238.5	9.39	89.0	3.50	83.5	3.29	1.16	2.55	307.5	12.11	307.5	12.11	62.0	2.44	9.0	0.35	1/2"	44.0	1.73	31.0	1.22	38.0	1.50	38.0	1.50	50	1.97	-	-
F	020C	238.5	9.39	89.0	3.50	83.5	3.29	1.12	2.58	307.5	12.11	307.5	12.11	62.0	2.44	9.0	0.35	1/2"	44.0	1.73	31.0	1.22	38.0	1.50	38.0	1.50	50	1.97	-	-
WS/F	020D	238.5	9.39	89.0	3.50	83.5	3.29	1.12	2.58	307.5	12.11	307.5	12.11	62.0	2.44	9.0	0.35	3/4"	44.0	1.73	31.0	1.22	38.0	1.50	38.0	1.50	50	1.97	-	-
WS/F	025D	277.0	10.91	120.0	4.72	114.5	4.50	2.21	4.86	346.0	13.62	346.0	13.62	85.5	3.37	13.0	0.51	3/4"	60.0	2.36	31.0	1.22	38.0	1.50	38.0	1.50	70	2.76	-	-
WS/F	025E	277.0	10.91	120.0	4.72	114.5	4.50	2.21	4.86	346.0	13.62	346.0	13.62	85.5	3.37	13.0	0.51	1"	60.0	2.36	31.0	1.22	38.0	1.50	38.0	1.50	70	2.76	-	-
WS/F	030G	367.0	14.45	120.0	4.72	114.5	4.50	2.68	5.91	436.0	17.17	436.0	17.17	85.5	3.37	13.0	0.51	1 1/2"	60.0	2.36	31.0	1.22	38.0	1.50	38.0	1.50	70	2.76	-	-
WS/F	035G	531.0	20.90	164.0	6.46	156.0	6.10	6.90	15.20	637.0	25.08	637.0	25.08	121.0	4.76	13.0	0.51	1 1/2"	92.0	3.62	68.0	2.68	38.0	1.50	38.0	1.50	100	3.94	2.50	0.1
WS/F	040H	623.0	24.50	164.0	6.46	156.0	6.10	7.30	16.10	729.0	28.70	729.0	28.70	121.0	4.76	13.0	0.51	2"	92.0	3.62	68.0	2.68	38.0	1.50	38.0	1.50	100	3.94	2.50	0.1
WS/F	045I	623.0	24.50	164.0	6.46	156.0	6.10	7.10	15.65	729.0	28.70	729.0	28.70	121.0	4.76	13.0	0.51	2 1/2"	92.0	3.62	68.0	2.68	38.0	1.50	38.0	1.50	100	3.94	2.50	0.1
WS/F	050I	745.0	29.30	192.0	7.56	183.0	7.20	10.30	22.71	851.0	33.50	851.0	33.50	140.0	5.51	13.0	0.51	2 1/2"	103.0	4.05	68.0	2.68	38.0	1.50	38.0	1.50	120	4.72	2.50	0.1
F	055I	935.0	36.80	192.0	7.56	183.0	7.20	15.30	33.73	1041.0	40.98	1041.0	40.98	140.0	5.51	13.0	0.51	2 1/2"	103.0	4.05	68.0	2.68	38.0	1.50	38.0	1.50	120	4.72	2.50	0.1
WS/F	055J	935.0	36.80	192.0	7.56	183.0	7.20	15.30	33.73	1041.0	40.98	1041.0	40.98	140.0	5.51	13.0	0.51	3"	103.0	4.05	68.0	2.68	38.0	1.50	38.0	1.50	120	4.72	2.50	0.1



DPI FITTED AS STANDARD TO AO, AA 010A-030G

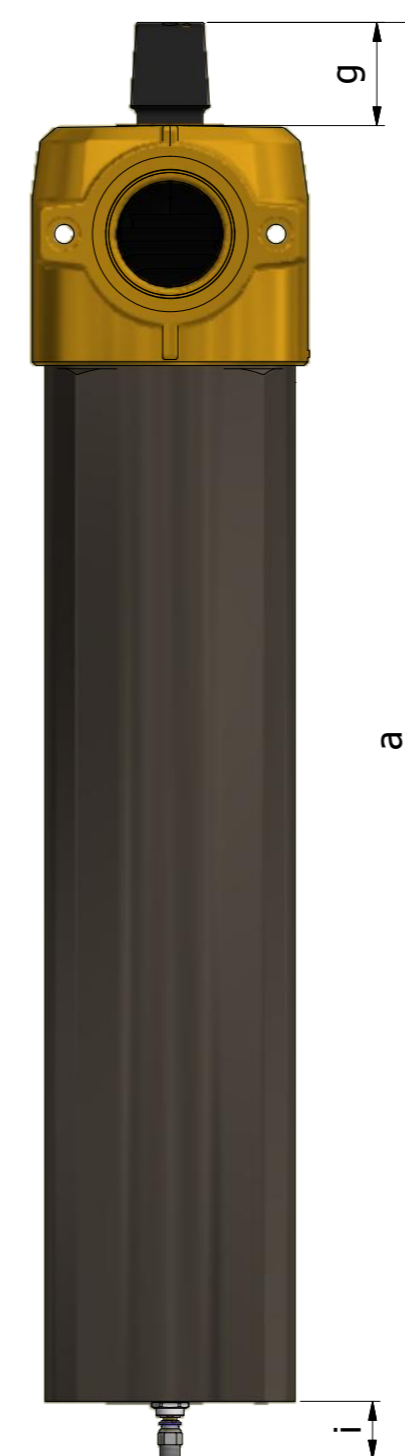


1/2" BSPP FEMALE THREAD AO/AA/ACS MANUAL DRAIN OPTION



REPRESENTATIVE BOWL FOR 010-045

OPTIONAL DPG AO, AA 035G-055J



REPRESENTATIVE BOWL FOR 050-055



ECO No. 0183139	REV A
PLEASE CONSIDER THE ENVIRONMENT PRIOR TO PRINTING THIS DRAWING	
DO NOT SCALE - IF IN DOUBT ASK	
BASED ON BS 8888 DIMENSIONS IN MILLIMETRES	
GENERAL TOLERANCES UNLESS OTHERWISE STATED	
MACHINED DIMENSIONS	
.XX ±0.13	UP TO 300 ±0.3
.X ±0.25	OVER 300 TO 600 ±0.5
POSITIONAL TOLERANCE	
PLAIN HOLES	Ø0.13
TAPPED HOLES	Ø0.26
CONCENTRICITY TOLERANCE	0.13 TIR
MACHINED SURFACES INDICATED THUS	
SURFACE TEXTURE TO BS 1134	
VALUES IN MICROMETRES	
ANGLES ±1/2° (EXCEPT CHAMFERS)	
METRIC THREADS TO BS 3643 MED. CLASS	
EXTERNAL	6g
INTERNAL	6H
PIPE THREADS	
PRESSURE TIGHT TO BS 21	
SHEET METALWORK & FABRICATIONS	
SHEET METALWORK DIMENSIONS	
UP TO 500	±0.5
OVER 500 TO 1000	±1.0
OVER 1000	±1.5
FABRICATED PARTS DIMENSIONS	
UP TO 500	±2
OVER 500 TO 1000	±4
OVER 1000	±6
POSITIONAL TOLERANCE FOR PLAIN & TAPPED HOLES	
UP TO 500	Ø1.0
OVER 500	Ø2.0
Parker Hannifin Manufacturing Ltd domnick hunter Filtration & Separation Division Dukesway, Team Valley Gateshead, Tyne & Wear England, NE11 0PZ TEL +44 (0)191 402 9000 FAX +44 (0)191 482 6296 www.parker.com/dhfs	
THIS DOCUMENT IS COPYRIGHT AND IS THE PROPERTY OF PARKER HANNIFIN LTD. IT MUST NOT BE COPIED IN WHOLE OR PART, USED FOR MANUFACTURE OF, OR OTHERWISE DISCLOSED WITHOUT PRIOR WRITTEN CONSENT OF THE COMPANY	
DRG No.	SHEET
101-10498	1 / 1

MATERIAL	SCALE		DRAWN	CHECKED	APPROVED	TITLE
GEN.ARRGT	1:2		RD	DT	GU	DIMENSIONAL SALES DRAWING
			20/12/2016	20/12/2016	20/12/2016	OIL-X FILTERS