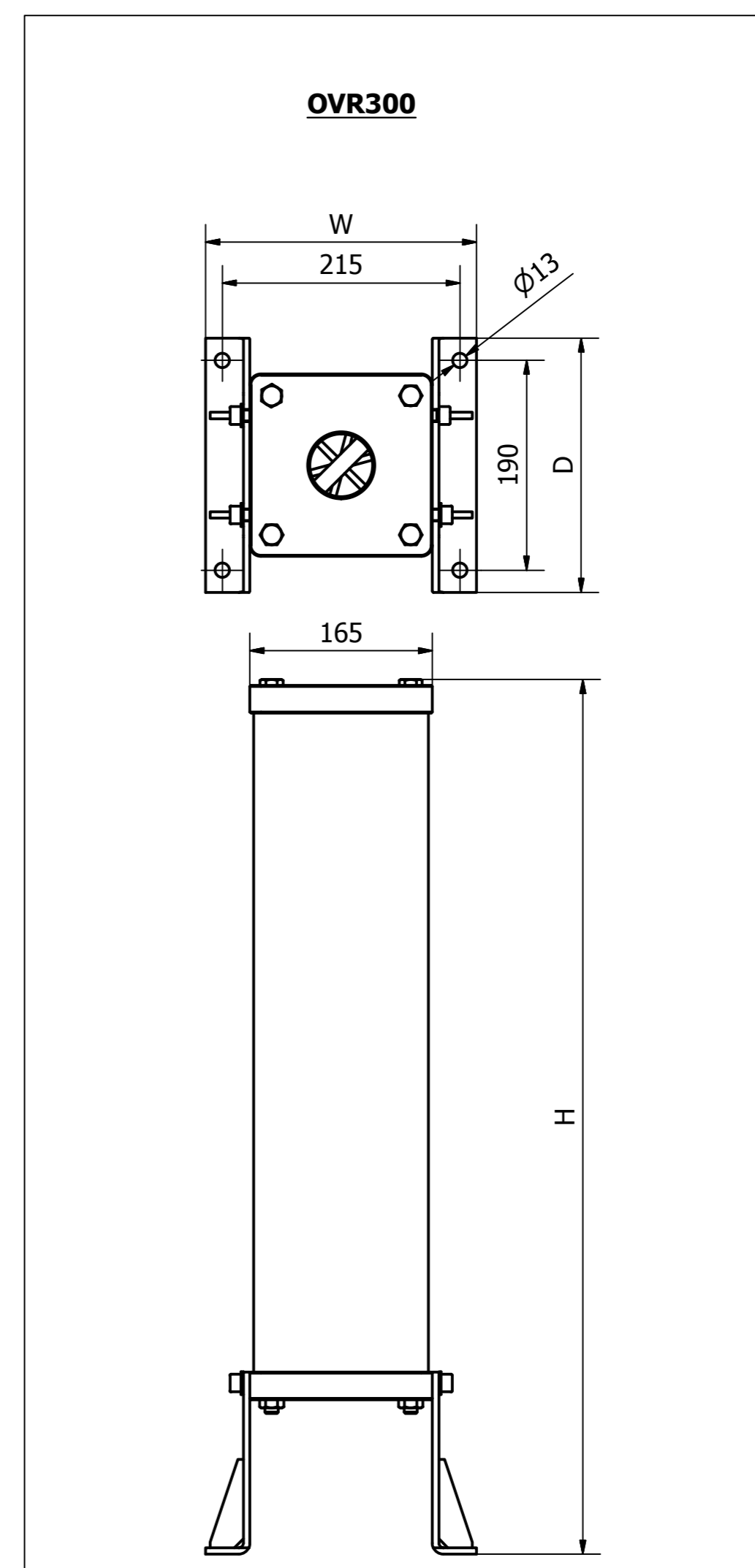
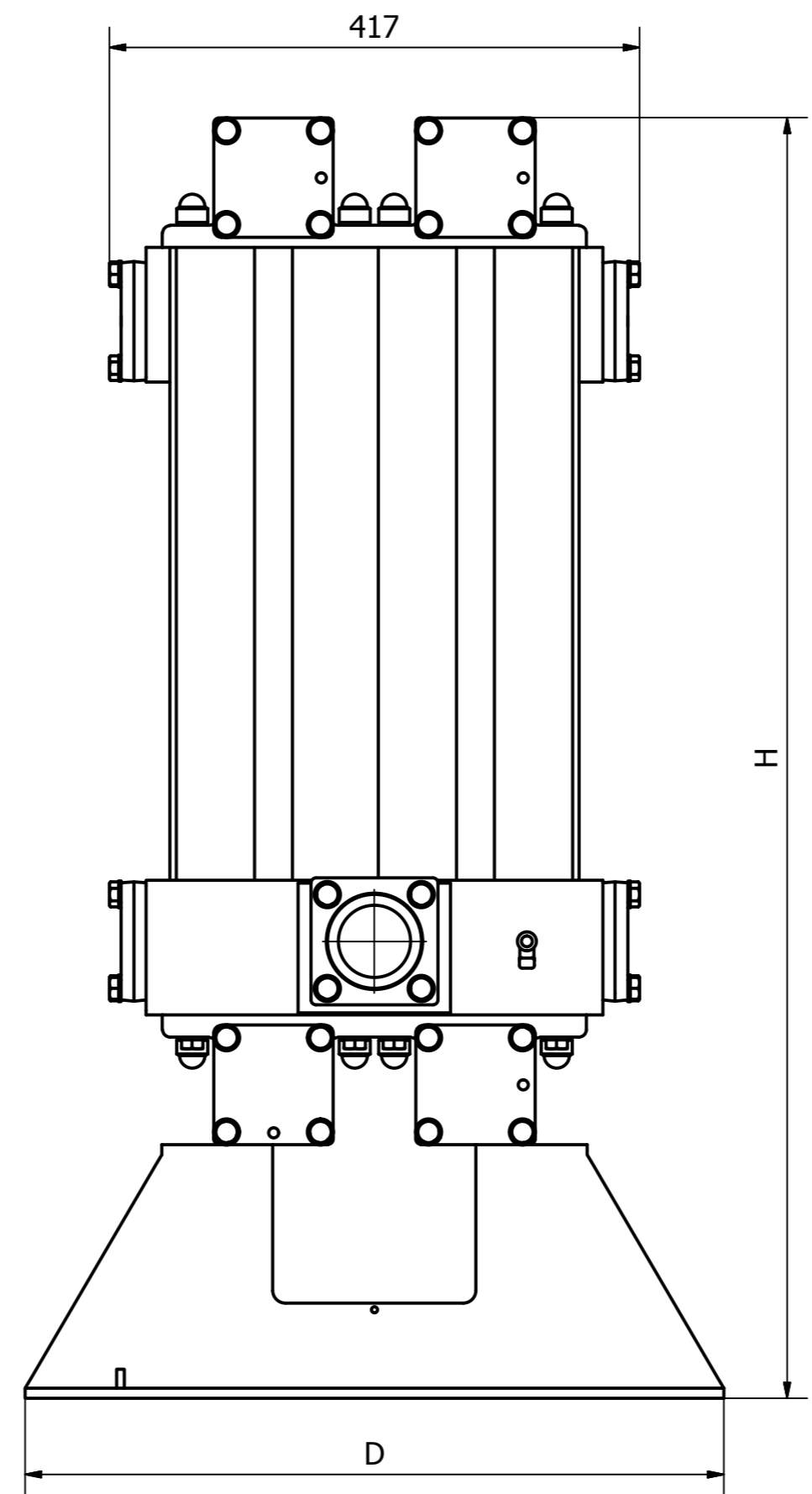
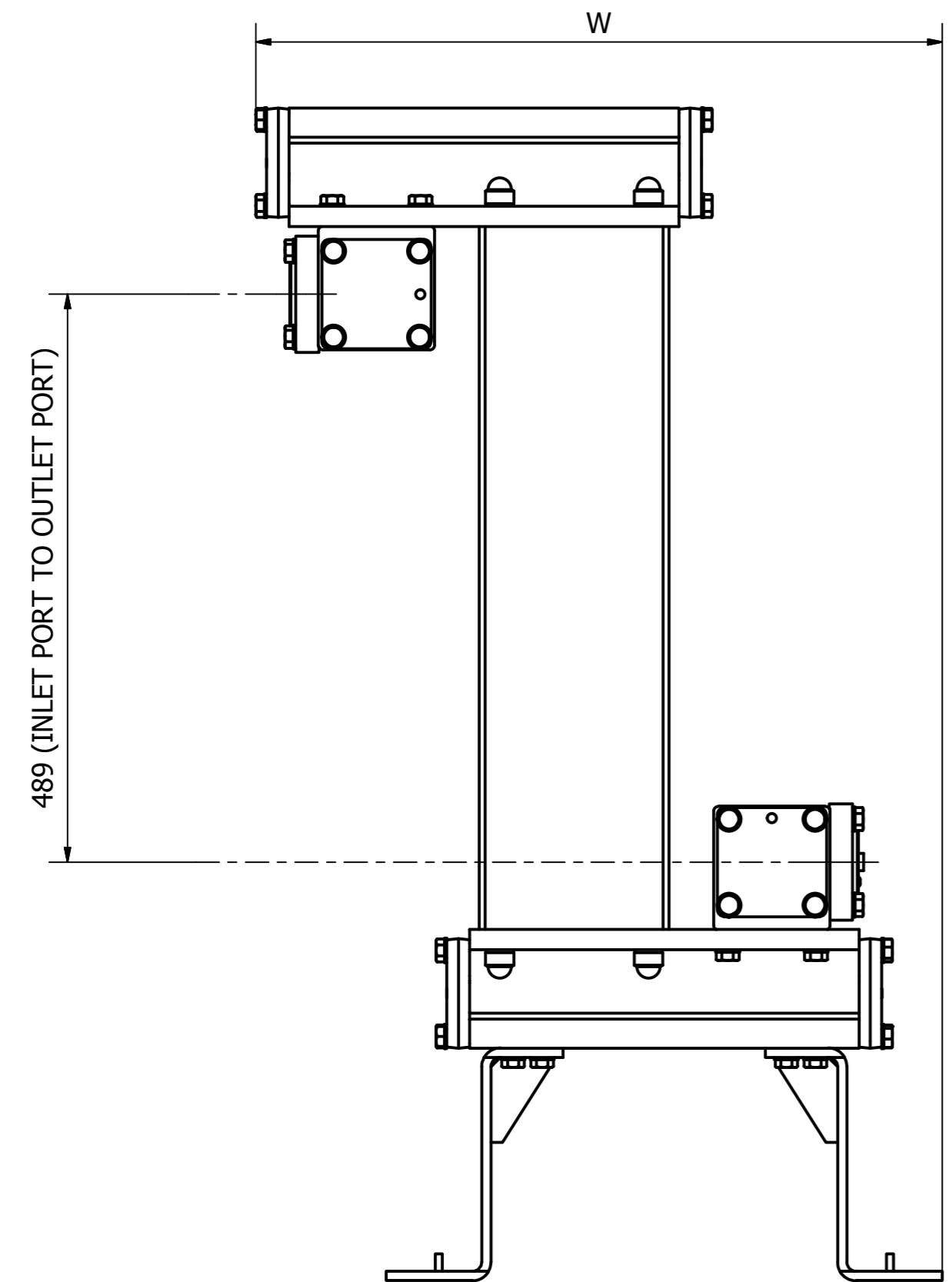


DIMENSIONS mm (Ins)									
MODEL	PORT SIZE	HEIGHT (H)		WIDTH (W)		DEPTH (D)		WEIGHT	
		mm	Ins	mm	Ins	mm	Ins	kg	lbs
OVR300	2"	792	31.2	478	18.8	393	15.5	28.5	63
OVR350	2"	1009	39.7	738	29.1	648	25.5	62.5	138
OVR400	2"	1009	39.7	883	34.8	648	25.5	71.5	158
OVR450	2 1/2"	1009	39.7	1036	40.8	648	25.5	92.8	205
OVR500	2 1/2"	1009	39.7	1205	47.4	648	25.5	100.6	222
OVR550	2 1/2"	1009	39.7	1374	54.1	648	25.5	120	265

NOTE

PLEASE ENSURE CLEARANCE OF 600mm ABOVE UNIT FOR SERVICE OF CARTRIDGE



ECO No. 0095637 REV -

PLEASE CONSIDER THE ENVIRONMENT PRIOR TO PRINTING THIS DRAWING

DO NOT SCALE - IF IN DOUBT ASK

BASED ON BS 8888 DIMENSIONS IN MILLIMETRES

GENERAL TOLERANCES UNLESS OTHERWISE STATED
 MACHINED DIMENSIONS
 .XX ±0.13 UP TO 300 ±0.3
 .X ±0.25 OVER 300 TO 600 ±0.5
 POSITIONAL TOLERANCE
 PLAIN HOLES Ø0.13
 TAPPED HOLES Ø0.26
 CONCENTRICITY TOLERANCE 0.13 TIR

MACHINED SURFACES INDICATED THUS
 SURFACE TEXTURE TO BS 1134
 VALUES IN MICROMETRES

ANGLES ±1/2° (EXCEPT CHAMFERS)

METRIC THREADS TO BS 3643 MED. CLASS
 EXTERNAL 6g INTERNAL 6h
 PIPE THREADS
 PRESSURE TIGHT TO BS 21

SHEET METALWORK & FABRICATIONS
 SHEET METALWORK DIMENSIONS
 UP TO 500 ±0.5
 OVER 500 TO 1000 ±1.0
 OVER 1000 ±1.5

FABRICATED PARTS DIMENSIONS
 UP TO 500 ±2
 OVER 500 TO 1000 ±4
 OVER 1000 ±6

POSITIONAL TOLERANCE FOR PLAIN & TAPPED HOLES
 UP TO 500 Ø1.0
 OVER 500 Ø2.0



Parker Hannifin Manufacturing Ltd
 domnick hunter Filtration & Separation Division
 Dukesway, Team Valley
 Gateshead, Tyne & Wear
 England, NE11 0PZ
 TEL +44 (0)191 402 9000
 FAX +44 (0)191 482 6296
 www.parker.com/dhms

THIS DOCUMENT IS COPYRIGHT AND IS THE PROPERTY OF PARKER HANNIFIN LTD. IT MUST NOT BE COPIED IN WHOLE OR PART, USED FOR MANUFACTURE OF, OR OTHERWISE DISCLOSED WITHOUT PRIOR WRITTEN CONSENT OF THE COMPANY

MATERIAL	SCALE	
GEN.ARRGT	1:5	

DRAWN	CHECKED	APPROVED	TITLE
NAME	ak015385	SS	GU
DATE	04/03/2015	05/03/2015	05/03/2015

OVR SALES DRAWING

DRG No.	SHEET
101-10430	1 / 1