

# CDAS / OFAS / FBP Compressed Air Treatment Systems

Vacuum Assisted Heatless  
Low Energy &  
Heatless Variants

CDAS HL & LE 100 - CDAS HL & LE 170  
OFAS HL & LE 100 - CDAS HL & LE 170  
FBP HL & LE 100 - CDAS HL & LE 170














Preventative Maintenance,  
Breakdown Spares and Repair Kits Guide

(EN)



# SERVICE INTERVALS - DRYER HL & LE

Description of Service Required		Service Recommended Every:						
Component	Operation	Daily	Weekly	Monthly	6 Months	12 Months	36 Months	60 Months
Dryer	Check POWER ON and STATUS / FAULT indicators.							
Dryer	Check for air leaks.							
Dryer	Check the pressure gauges during purging for excessive back pressure.							
Dryer	Check the condition of electrical supply cables and conduits.							
Dryer	Check for cyclic operation.							
Dryer	<b>Replace the exhaust silencers</b>							
Dryer	<b>Replace inlet / outlet / control air filter elements. Replace inlet filter / control air filter float drains.</b>							
Dryer	<b>Replace Dewpoint Hygrometer transmitter</b>							
Dryer	Check Operation of 5/2 Valves & Replace if Required							
Dryer	<b>Replace the valve seats and seals</b>							
Dryer	<b>Replace the Desiccant</b>							









## Key

	Check		Recommended Service
---	-------	---	---------------------

# CLEANING

Clean the equipment with a damp cloth only and avoid excessive moisture around any electrical sockets. If required you may use a mild detergent, however do not use abrasives or solvents as they may damage the warning labels on the equipment.

# SERVICE INTERVALS - HLVAP VACUUM PUMPS

Description of Service Required		Service Recommended Every:				
Component	Operation	Daily	Weekly	Monthly	6 Months	12 Months
Vacuum Pump	Check the oil level					
Vacuum Pump	Check the pipes and screws for leaks and to ensure they are seated properly and if necessary seal again or tighten up.					
Vacuum Pump	Check the terminal box and cable inlet holes for leaks and if necessary re-seal.					
Vacuum Pump	Clean the ventilation slots on the machine and the motor cooling ribs.					
Vacuum Pump	Clean the intake air and gas ballast valve filter.					
Vacuum Pump	Check for coupling wear.					
Vacuum Pump	<b>Replace the oil</b>					
Vacuum Pump	<b>Replace the oil and oil separation elements</b>					

## Key

	Check		Recommended Service
---	-------	---	---------------------

# PREVENTATIVE MAINTENANCE KITS - VACUUM PUMPS

CATALOGUE NUMBER	DESCRIPTION	TO SUIT PUMPS	6	12	18	24	30	36	QTY
M06.HLVAP-OL-01-100	6 Month Oil Change	HLVAP-OL-01-100 HLVAP-OL-02-100	✓	✗	✓	✗	✓	✗	1
M12.HLVAP-OL-01-100	12 Month Oil Change and Elements	HLVAP-OL-01-100 HLVAP-OL-02-100	✗	✓	✗	✓	✗	✓	1
M06.HLVAP-OL-01-110	6 Month Oil Change	HLVAP-OL-01-110 HLVAP-OL-02-110	✓	✗	✓	✗	✓	✗	1
M12.HLVAP-OL-01-110	12 Month Oil Change and Elements	HLVAP-OL-01-110 HLVAP-OL-02-110	✗	✓	✗	✓	✗	✓	1
M06.HLVAP-OL-01-120	6 Month Oil Change	HLVAP-OL-01-120 HLVAP-OL-02-120	✓	✗	✓	✗	✓	✗	1
M12.HLVAP-OL-01-120	12 Month Oil Change and Elements	HLVAP-OL-01-120 HLVAP-OL-02-120	✗	✓	✗	✓	✗	✓	1
M06.HLVAP-OL-01-130	6 Month Oil Change	HLVAP-OL-01-130 HLVAP-OL-02-130	✓	✗	✓	✗	✓	✗	1
M12.HLVAP-OL-01-130	12 Month Oil Change and Elements	HLVAP-OL-01-130 HLVAP-OL-02-130	✗	✓	✗	✓	✗	✓	1
M06.HLVAP-OL-01-140	6 Month Oil Change	HLVAP-OL-01-140 HLVAP-OL-02-140	✓	✗	✓	✗	✓	✗	1
M12.HLVAP-OL-01-140	12 Month Oil Change and Elements	HLVAP-OL-01-140 HLVAP-OL-02-140	✗	✓	✗	✓	✗	✓	1
M06.HLVAP-OL-01-150	6 Month Oil Change	HLVAP-OL-01-150 HLVAP-OL-02-150	✓	✗	✓	✗	✓	✗	1
M12.HLVAP-OL-01-150	12 Month Oil Change and Elements	HLVAP-OL-01-150 HLVAP-OL-02-150	✗	✓	✗	✓	✗	✓	1
M06.HLVAP-OL-01-160	6 Month Oil Change	HLVAP-OL-01-160 HLVAP-OL-02-160	✓	✗	✓	✗	✓	✗	1
M12.HLVAP-OL-01-160	12 Month Oil Change and Elements	HLVAP-OL-01-160 HLVAP-OL-02-160	✗	✓	✗	✓	✗	✓	1
M06.HLVAP-OL-01-170	6 Month Oil Change	HLVAP-OL-01-170 HLVAP-OL-02-170	✓	✗	✓	✗	✓	✗	1
M12.HLVAP-OL-01-170	12 Month Oil Change and Elements	HLVAP-OL-01-170 HLVAP-OL-02-170	✗	✓	✗	✓	✗	✓	1

CATALOGUE NUMBER	DESCRIPTION	KIT CONTENTS					
		OIL	OIL QTY	OIL FILTER	OIL SEPARATOR ELEMENTS	FILTER GAS BALLAST VALVE	GASKET
M06.HLVAP-OL-01-100	6 Month Oil Change	✓	10 L	✗	✗	✗	✗
M06.HLVAP-OL-01-110	6 Month Oil Change	✓	10 L	✗	✗	✗	✗
M06.HLVAP-OL-01-120	6 Month Oil Change	✓	10 L	✗	✗	✗	✗
M06.HLVAP-OL-01-130	6 Month Oil Change	✓	13 L	✗	✗	✗	✗
M06.HLVAP-OL-01-140	6 Month Oil Change	✓	13 L	✗	✗	✗	✗
M06.HLVAP-OL-01-150	6 Month Oil Change	✓	20 L	✗	✗	✗	✗
M06.HLVAP-OL-01-160	6 Month Oil Change	✓	23 L	✗	✗	✗	✗
M06.HLVAP-OL-01-170	6 Month Oil Change	✓	23 L	✗	✗	✗	✗
M12.HLVAP-OL-01-100	12 Month Oil Change and Elements	✓	10 L	✓	✓	✓	✓
M12.HLVAP-OL-01-110	12 Month Oil Change and Elements	✓	10 L	✓	✓	✓	✓
M12.HLVAP-OL-01-120	12 Month Oil Change and Elements	✓	10 L	✓	✓	✓	✓
M12.HLVAP-OL-01-130	12 Month Oil Change and Elements	✓	13 L	✓	✓	✓	✓
M12.HLVAP-OL-01-140	12 Month Oil Change and Elements	✓	13 L	✓	✓	✓	✓
M12.HLVAP-OL-01-150	12 Month Oil Change and Elements	✓	20 L	✓	✓	✓	✓
M12.HLVAP-OL-01-160	12 Month Oil Change and Elements	✓	23 L	✓	✓	✓	✓
M12.HLVAP-OL-01-170	12 Month Oil Change and Elements	✓	23 L	✓	✓	✓	✓

## 12 Month Service Kits - CDAS HL & LE

CATALOGUE NUMBER	DESCRIPTION	TO SUIT MODELS	12	24	36	48	60	QTY
M12.FSK.0400	12 Month Service Kit CDAS HL & LE	CDAS HL & LE 100 / CDAS HL & LE 110	✓	✓	✓	✓	✓	1
M12.FSK.0401	12 Month Service Kit CDAS HL & LE	CDAS HL & LE 120	✓	✓	✓	✓	✓	1
M12.FSK.0402	12 Month Service Kit CDAS HL & LE	CDAS HL & LE 130	✓	✓	✓	✓	✓	1
M12.FSK.0403	12 Month Service Kit CDAS HL & LE	CDAS HL & LE 140 / CDAS HL & LE 150	✓	✓	✓	✓	✓	1
M12.FSK.0404	12 Month Service Kit CDAS HL & LE	CDAS HL & LE 160 / CDAS HL & LE 170	✓	✓	✓	✓	✓	1

CATALOGUE NO	DESCRIPTION	TO SUIT MODEL	KIT CONTENTS	CODE	QTY
M12.FSK.0400	12 Month Service Kit CDAS HL & LE	CDAS HL & LE 100 CDAS HL & LE 110	Inlet Coalescing Filter Element Grade AO	040AO	1
			Inlet Coalescing Filter Element Grade AA	040AA	1
			Outlet Dry Particulate Filter Element Grade AO	040AO	1
			Pilot Air Coalescing Filter Element Grade AA	010AA	1
			Coalescing Filter Float Drains	M12.FD.0001	3
			Exhaust Silencer Kit	608620090	1
			Hygrometer Sensor	608203580	1
M12.FSK.0401	12 Month Service Kit CDASHL & LE	CDAS HL & LE 120	Inlet Coalescing Filter Element Grade AO	045AO	1
			Inlet Coalescing Filter Element Grade AA	045AA	1
			Outlet Dry Particulate Filter Element Grade AO	045AO	1
			Pilot Air Coalescing Filter Element Grade AA	010AA	1
			Coalescing Filter Float Drains	M12.FD.0001	3
			Exhaust Silencer Kit	608620090	1
			Hygrometer Sensor	608203580	1
M12.FSK.0402	12 Month Service Kit CDAS HL & LE	CDAS HL & LE 130	Inlet Coalescing Filter Element Grade AO	045AO	1
			Inlet Coalescing Filter Element Grade AA	045AA	1
			Outlet Dry Particulate Filter Element Grade AO	045AO	1
			Pilot Air Coalescing Filter Element Grade AA	010AA	1
			Coalescing Filter Float Drains	M12.FD.0001	3
			Exhaust Silencer Kit	608620090	2
			Hygrometer Sensor	608203580	1
M12.FSK.0403	12 Month Service Kit CDAS HL & LE	CDAS HL & LE 140 CDAS HL & LE 150	Inlet Coalescing Filter Element Grade AO	050AO	1
			Inlet Coalescing Filter Element Grade AA	050AA	1
			Outlet Dry Particulate Filter Element Grade AO	050AO	1
			Pilot Air Coalescing Filter Element Grade AA	010AA	1
			Coalescing Filter Float Drains	M12.FD.0001	3
			Exhaust Silencer Kit	608620090	2
			Hygrometer Sensor	608203580	1
M12.FSK.0404	12 Month Service Kit CDAS HL & LE	CDAS HL & LE 160 CDAS HL & LE 170	Inlet Coalescing Filter Element Grade AO	055AO	1
			Inlet Coalescing Filter Element Grade AA	055AA	1
			Outlet Dry Particulate Filter Element Grade AO	055AO	1
			Pilot Air Coalescing Filter Element Grade AA	010AA	1
			Coalescing Filter Float Drains	M12.FD.0001	3
			Exhaust Silencer Kit	608620090	3
			Hygrometer Sensor	608203580	1

# 12 Month Service Kits - OFAS HL & LE

CATALOGUE NUMBER	DESCRIPTION	TO SUIT MODELS	12	24	36	48	60	QTY
M12.FSK.0405	12 Month Service Kit OFAS HL & LE	OFAS HL & LE 100	✓	✓	✓	✓	✓	1
M12.FSK.0406	12 Month Service Kit OFAS HL & LE	OFAS HL & LE 110	✓	✓	✓	✓	✓	1
M12.FSK.0407	12 Month Service Kit OFAS HL & LE	OFAS HL & LE 120	✓	✓	✓	✓	✓	1
M12.FSK.0408	12 Month Service Kit OFAS HL & LE	OFAS HL & LE 130	✓	✓	✓	✓	✓	1
M12.FSK.0409	12 Month Service Kit OFAS HL & LE	OFAS HL & LE 140 / OFAS HL & LE 150	✓	✓	✓	✓	✓	1
M12.FSK.0410	12 Month Service Kit OFAS HL & LE	OFAS LE 160 / OFAS LE 170	✓	✓	✓	✓	✓	1

CATALOGUE NO	DESCRIPTION	TO SUIT MODEL	KIT CONTENTS	CODE	QTY
M12.FSK.0405	12 Month Service Kit OFAS HL & LE	OFAS HL & LE 100	Inlet Coalescing Filter Element Grade AO	040AO	1
			Inlet Coalescing Filter Element Grade AA	040AA	1
			Outlet Dry Particulate Filter Element Grade AO	040AO	1
			Pilot Air Coalescing Filter Element Grade AA	010AA	1
			OVR Carbon Stage Service Kit	P350VR	1
			Coalescing Filter Float Drains	M12.FD.0001	3
			Exhaust Silencer Kit	608620090	1
			Hygrometer Sensor	608203580	1
M12.FSK.0406	12 Month Service Kit OFAS HL & LE	OFAS HL & LE 110	Inlet Coalescing Filter Element Grade AO	040AO	1
			Inlet Coalescing Filter Element Grade AA	040AA	1
			Outlet Dry Particulate Filter Element Grade AO	040AO	1
			Pilot Air Coalescing Filter Element Grade AA	010AA	1
			OVR Carbon Stage Service Kit	P400OVR	1
			Coalescing Filter Float Drains	M12.FD.0001	3
			Exhaust Silencer Kit	608620090	1
			Hygrometer Sensor	608203580	1
M12.FSK.0407	12 Month Service Kit OFAS HL & LE	OFAS HL & LE 120	Inlet Coalescing Filter Element Grade AO	045AO	1
			Inlet Coalescing Filter Element Grade AA	045AA	1
			Outlet Dry Particulate Filter Element Grade AO	045AO	1
			Pilot Air Coalescing Filter Element Grade AA	010AA	1
			OVR Carbon Stage Service Kit	P400OVR	1
			Coalescing Filter Float Drains	M12.FD.0001	3
			Exhaust Silencer Kit	608620090	1
			Hygrometer Sensor	608203580	1
M12.FSK.0408	12 Month Service Kit OFAS HL & LE	OFAS HL & LE 130	Inlet Coalescing Filter Element Grade AO	045AO	1
			Inlet Coalescing Filter Element Grade AA	045AA	1
			Outlet Dry Particulate Filter Element Grade AO	045AO	1
			Pilot Air Coalescing Filter Element Grade AA	010AA	1
			OVR Carbon Stage Service Kit	P400OVR	1
			Coalescing Filter Float Drains	M12.FD.0001	3
			Exhaust Silencer Kit	608620090	2
			Hygrometer Sensor	608203580	1
M12.FSK.0409	12 Month Service Kit OFAS HL & LE	OFAS HL & LE 140 OFAS HL & LE 150	Inlet Coalescing Filter Element Grade AO	050AO	1
			Inlet Coalescing Filter Element Grade AA	050AA	1
			Outlet Dry Particulate Filter Element Grade AO	050AO	1
			Pilot Air Coalescing Filter Element Grade AA	010AA	1
			OVR Carbon Stage Service Kit	P450OVR	1
			Coalescing Filter Float Drains	M12.FD.0001	3
			Exhaust Silencer Kit	608620090	2
			Hygrometer Sensor	608203580	1
M12.FSK.0410	12 Month Service Kit OFAS HL & LE	OFAS HL & LE 160 OFAS HL & LE 170	Inlet Coalescing Filter Element Grade AO	055AO	1
			Inlet Coalescing Filter Element Grade AA	055AA	1
			Outlet Dry Particulate Filter Element Grade AO	055AO	1
			Pilot Air Coalescing Filter Element Grade AA	010AA	1
			OVR Carbon Stage Service Kit	P500OVR	1
			Coalescing Filter Float Drains	M12.FD.0001	3
			Exhaust Silencer Kit	608620090	3
			Hygrometer Sensor	608203580	1

# 12 Month Service Kits - FBP HL & LE

CATALOGUE NUMBER	DESCRIPTION	TO SUIT MODELS	12	24	36	48	60	QTY
M12.FSK.0411	12 Month Service Kit FBP HL & LE	FBP HL & LE 100	✓	✓	✓	✓	✓	1
M12.FSK.0412	12 Month Service Kit FBP HL & LE	FBP HL & LE 110	✓	✓	✓	✓	✓	1
M12.FSK.0413	12 Month Service Kit FBP HL & LE	FBP HL & LE 120	✓	✓	✓	✓	✓	1
M12.FSK.0414	12 Month Service Kit FBP HL & LE	FBP HL & LE 130	✓	✓	✓	✓	✓	1
M12.FSK.0415	12 Month Service Kit FBP HL & LE	FBP HL & LE 140 / FBP HL & LE 150	✓	✓	✓	✓	✓	1
M12.FSK.0416	12 Month Service Kit FBP HL & LE	FBP HL & LE 160 / FBP HL & LE 170	✓	✓	✓	✓	✓	1

CATALOGUE NO	DESCRIPTION	TO SUIT MODEL	KIT CONTENTS	CODE	QTY
M12.FSK.0411	12 Month Service Kit FBP HL & LE	FBP HL & LE 100	Inlet Coalescing Filter Element Grade AO	040AO	1
			Inlet Coalescing Filter Element Grade AA	040AA	1
			Outlet Dry Particulate Filter Element Grade AO	040AO	1
			Outlet Dry Particulate Filter Element Grade AA	040AA	1
			Pilot Air Coalescing Filter Element Grade AA	010AA	1
			OVR Carbon Stage Service Kit	P350VR	1
			Coalescing Filter Float Drains	M12.FD.0001	3
			Exhaust Silencer Kit	608620090	1
			Hygrometer Sensor	608203580	1
M12.FSK.0412	12 Month Service Kit FBP HL & LE	FBP HL & LE 110	Inlet Coalescing Filter Element Grade AO	040AO	1
			Inlet Coalescing Filter Element Grade AA	040AA	1
			Outlet Dry Particulate Filter Element Grade AO	040AO	1
			Outlet Dry Particulate Filter Element Grade AA	040AA	1
			Pilot Air Coalescing Filter Element Grade AA	010AA	1
			OVR Carbon Stage Service Kit	P400OVR	1
			Coalescing Filter Float Drains	M12.FD.0001	3
			Exhaust Silencer Kit	608620090	1
			Hygrometer Sensor	608203580	1
M12.FSK.0413	12 Month Service Kit FBP HL & LE	FBP HL & LE 120	Inlet Coalescing Filter Element Grade AO	045AO	1
			Inlet Coalescing Filter Element Grade AA	045AA	1
			Outlet Dry Particulate Filter Element Grade AO	045AO	1
			Outlet Dry Particulate Filter Element Grade AA	045AA	1
			Pilot Air Coalescing Filter Element Grade AA	010AA	1
			OVR Carbon Stage Service Kit	P400OVR	1
			Coalescing Filter Float Drains	M12.FD.0001	3
			Exhaust Silencer Kit	608620090	1
			Hygrometer Sensor	608203580	1
M12.FSK.0414	12 Month Service Kit FBP HL & LE	FBP HL & LE 130	Inlet Coalescing Filter Element Grade AO	045AO	1
			Inlet Coalescing Filter Element Grade AA	045AA	1
			Outlet Dry Particulate Filter Element Grade AO	045AO	1
			Outlet Dry Particulate Filter Element Grade AA	045AA	1
			Pilot Air Coalescing Filter Element Grade AA	010AA	1
			OVR Carbon Stage Service Kit	P400OVR	1
			Coalescing Filter Float Drains	M12.FD.0001	3
			Exhaust Silencer Kit	608620090	2
			Hygrometer Sensor	608203580	1
M12.FSK.0415	12 Month Service Kit FBP HL & LE	FBP HL & LE 140 FBP HL & LE 150	Inlet Coalescing Filter Element Grade AO	050AO	1
			Inlet Coalescing Filter Element Grade AA	050AA	1
			Outlet Dry Particulate Filter Element Grade AO	050AO	1
			Outlet Dry Particulate Filter Element Grade AA	050AA	1
			Pilot Air Coalescing Filter Element Grade AA	010AA	1
			OVR Carbon Stage Service Kit	P450OVR	1
			Coalescing Filter Float Drains	M12.FD.0001	3
			Exhaust Silencer Kit	608620090	2
			Hygrometer Sensor	608203580	1
M12.FSK.0416	12 Month Service Kit FBP HL & LE	FBP HL & LE 160 FBP HL & LE 170	Inlet Coalescing Filter Element Grade AO	055AO	1
			Inlet Coalescing Filter Element Grade AA	055AA	1
			Outlet Dry Particulate Filter Element Grade AO	055AO	1
			Outlet Dry Particulate Filter Element Grade AA	055AA	1
			Pilot Air Coalescing Filter Element Grade AA	010AA	1
			OVR Carbon Stage Service Kit	P500OVR	1
			Coalescing Filter Float Drains	M12.FD.0001	3
			Exhaust Silencer Kit	608620090	3
			Hygrometer Sensor	608203580	1

## 60 Month Service Kits (In Addition to 12 Month Service Kit)

CATALOGUE NUMBER	DESCRIPTION	TO SUIT MODEL	12	24	36	48	60	QTY
M60.DSK.0400	60 Month Service Kit CDAS HL & LE / OFAS HL & LE / FBP HL & LE (-20°C PDP/-40°C PDP)	CDAS HL & LE / OFAS HL & LE / FBP HL & LE MODEL 100	×	×	×	×	✓	1
M60.DSK.0401	60 Month Service Kit CDAS HL & LE / OFAS HL & LE / FBP HL & LE (-20°C PDP/-40°C PDP)	CDAS HL & LE / OFAS HL & LE / FBP HL & LE MODEL 110	×	×	×	×	✓	1
M60.DSK.0402	60 Month Service Kit CDAS HL & LE / OFAS HL & LE / FBP HL & LE (-20°C PDP/-40°C PDP)	CDAS HL & LE / OFAS HL & LE / FBP HL & LE MODEL 120	×	×	×	×	✓	1
M60.DSK.0403	60 Month Service Kit CDAS HL & LE / OFAS HL & LE / FBP HL & LE (-20°C PDP/-40°C PDP)	CDAS HL & LE / OFAS HL & LE / FBP HL & LE MODEL 130	×	×	×	×	✓	1
M60.DSK.0404	60 Month Service Kit CDAS HL & LE / OFAS HL & LE / FBP HL & LE (-20°C PDP/-40°C PDP)	CDAS HL & LE / OFAS HL & LE / FBP HL & LE MODEL 140	×	×	×	×	✓	1
M60.DSK.0405	60 Month Service Kit CDAS HL & LE / OFAS HL & LE / FBP HL & LE (-20°C PDP/-40°C PDP)	CDAS HL & LE / OFAS HL & LE / FBP HL & LE MODEL 150	×	×	×	×	✓	1
M60.DSK.0406	60 Month Service Kit CDAS HL & LE / OFAS HL & LE / FBP HL & LE (-20°C PDP/-40°C PDP)	CDAS HL & LE / OFAS HL & LE / FBP HL & LE MODEL 160	×	×	×	×	✓	1
M60.DSK.0407	60 Month Service Kit CDAS HL & LE / OFAS HL & LE / FBP HL & LE (-20°C PDP/-40°C PDP)	CDAS HL & LE / OFAS HL & LE / FBP HL & LE MODEL 170	×	×	×	×	✓	1

CATALOGUE NO	DESCRIPTION	TO SUIT MODEL	KIT CONTENTS	CODE	QTY
M60.DSK.0400	60 Month Service Kit CDAS HL & LE / OFAS HL & LE / FBP HL & LE (-20°C PDP/-40°C PDP)	CDAS HL & LE / OFAS HL & LE / FBP HL & LE MODEL 100	Valve Overhaul Kit	608730404	1
			Desiccant Kit AA	608203661	8
			Desiccant Kit MS	608203662	1
			Column Seal Kit	608620098	1

CATALOGUE NO	DESCRIPTION	TO SUIT MODEL	KIT CONTENTS	CODE	QTY
M60.DSK.0401	60 Month Service Kit CDAS HL & LE / OFAS HL & LE / FBP HL & LE (-20°C PDP/-40°C PDP)	CDAS HL & LE / OFAS HL & LE / FBP HL & LE MODEL 110	Valve Overhaul Kit	608730404	1
			Desiccant Kit AA	608203661	12
			Desiccant Kit MS	608203662	2
			Column Seal Kit	608620098	1

CATALOGUE NO	DESCRIPTION	TO SUIT MODEL	KIT CONTENTS	CODE	QTY
M60.DSK.0402	60 Month Service Kit CDAS HL & LE / OFAS HL & LE / FBP HL & LE (-20°C PDP/-40°C PDP)	CDAS HL & LE / OFAS HL & LE / FBP HL & LE MODEL 120	Valve Overhaul Kit	608730404	1
			Desiccant Kit AA	608203661	14
			Desiccant Kit MS	608203662	2
			Column Seal Kit	608620098	1

CATALOGUE NO	DESCRIPTION	TO SUIT MODEL	KIT CONTENTS	CODE	QTY
M60.DSK.0403	60 Month Service Kit CDAS HL & LE / OFAS HL & LE / FBP HL & LE (-20°C PDP/-40°C PDP)	CDAS HL & LE / OFAS HL & LE / FBP HL & LE MODEL 130	Valve Overhaul Kit	608730404	1
			Desiccant Kit AA	608203661	19
			Desiccant Kit MS	608203662	3
			Column Seal Kit	608620098	1

CATALOGUE NO	DESCRIPTION	TO SUIT MODEL	KIT CONTENTS	CODE	QTY
M60.DSK.0404	60 Month Service Kit CDAS HL & LE / OFAS HL & LE / FBP HL & LE (-20°C PDP/-40°C PDP)	CDAS HL & LE / OFAS HL & LE / FBP HL & LE MODEL 140	Valve Overhaul Kit	608730404	1
			Desiccant Kit AA	608203661	24
			Desiccant Kit MS	608203662	3
			Column Seal Kit	608620098	1

CATALOGUE NO	DESCRIPTION	TO SUIT MODEL	KIT CONTENTS	CODE	QTY
M60.DSK.0405	60 Month Service Kit CDAS HL & LE / OFAS HL & LE / FBP HL & LE (-20°C PDP/-40°C PDP)	CDAS HL & LE / OFAS HL & LE / FBP HL & LE MODEL 150	Valve Overhaul Kit	608730404	1
			Desiccant Kit AA	608203661	28
			Desiccant Kit MS	608203662	4
			Column Seal Kit	608620098	2

CATALOGUE NO	DESCRIPTION	TO SUIT MODEL	KIT CONTENTS	CODE	QTY
M60.DSK.0406	60 Month Service Kit CDAS HL & LE / OFAS HL & LE / FBP HL & LE (-20°C PDP/-40°C PDP)	CDAS HL & LE / OFAS HL & LE / FBP HL & LE MODEL 160	Valve Overhaul Kit	608730404	1
			Desiccant Kit AA	608203661	33
			Desiccant Kit MS	608203662	4
			Column Seal Kit	608620098	2

CATALOGUE NO	DESCRIPTION	TO SUIT MODEL	KIT CONTENTS	CODE	QTY
M60.DSK.0407	60 Month Service Kit CDAS HL & LE / OFAS HL & LE / FBP HL & LE (-20°C PDP/-40°C PDP)	CDAS HL & LE / OFAS HL & LE / FBP HL & LE MODEL 170	Valve Overhaul Kit	608730404	1
			Desiccant Kit AA	608203661	37
			Desiccant Kit MS	608203662	6
			Column Seal Kit	608620098	2

## 60 Month Service Kits (In Addition to 12 Month Service Kit)

CATALOGUE NUMBER	DESCRIPTION	TO SUIT MODEL	12	24	36	48	60	QTY
M60.DSK.0408	60 Month Service Kit CDAS HL & LE / OFAS HL & LE / FBP HL & LE (-70°C PDP)	CDAS HL & LE / OFAS HL & LE / FBP HL & LE MODEL 100	×	×	×	×	✓	1
M60.DSK.0409	60 Month Service Kit CDAS LE / OFAS LE / FBP LE (-70°C PDP)	CDAS LE / OFAS LE / FBP LE MODEL 110	×	×	×	×	✓	1
M60.DSK.0410	60 Month Service Kit CDAS LE / OFAS LE / FBP LE (-70°C PDP)	CDAS LE / OFAS LE / FBP LE MODEL 120	×	×	×	×	✓	1
M60.DSK.0411	60 Month Service Kit CDAS LE / OFAS LE / FBP LE (-70°C PDP)	CDAS LE / OFAS LE / FBP LE MODEL 130	×	×	×	×	✓	1
M60.DSK.0412	60 Month Service Kit CDAS LE / OFAS LE / FBP LE (-70°C PDP)	CDAS LE / OFAS LE / FBP LE MODEL 140	×	×	×	×	✓	1
M60.DSK.0413	60 Month Service Kit CDAS LE / OFAS LE / FBP LE (-70°C PDP)	CDAS LE / OFAS LE / FBP LE MODEL 150	×	×	×	×	✓	1
M60.DSK.0414	60 Month Service Kit CDAS LE / OFAS LE / FBP LE (-70°C PDP)	CDAS LE / OFAS LE / FBP LE MODEL 160	×	×	×	×	✓	1
M60.DSK.0415	60 Month Service Kit CDAS LE / OFAS LE / FBP LE (-70°C PDP)	CDAS LE / OFAS LE / FBP LE MODEL 170	×	×	×	×	✓	1

CATALOGUE NO	DESCRIPTION	TO SUIT MODEL	KIT CONTENTS	CODE	QTY
M60.DSK.0408	60 Month Service Kit CDAS HL & LE / OFAS HL & LE / FBP HL & LE (-70°C PDP)	CDAS HL & LE / OFAS HL & LE / FBP HL & LE MODEL 100	Valve Overhaul Kit	608730404	1
			Desiccant Kit WS	608203663	2
			Desiccant Kit MS	608203662	7
			Column Seal Kit	608620098	1

CATALOGUE NO	DESCRIPTION	TO SUIT MODEL	KIT CONTENTS	CODE	QTY
M60.DSK.0409	60 Month Service Kit CDAS HL & LE / OFAS HL & LE / FBP HL & LE (-70°C PDP)	CDAS HL & LE / OFAS HL & LE / FBP HL & LE MODEL 110	Valve Overhaul Kit	608730404	1
			Desiccant Kit WS	608203663	3
			Desiccant Kit MS	608203662	11
			Column Seal Kit	608620098	1

CATALOGUE NO	DESCRIPTION	TO SUIT MODEL	KIT CONTENTS	CODE	QTY
M60.DSK.0410	60 Month Service Kit CDAS HL & LE / OFAS HL & LE / FBP HL & LE (-70°C PDP)	CDAS HL & LE / OFAS HL & LE / FBP HL & LE MODEL 120	Valve Overhaul Kit	608730404	1
			Desiccant Kit WS	608203663	4
			Desiccant Kit MS	608203662	13
			Column Seal Kit	608620098	1

CATALOGUE NO	DESCRIPTION	TO SUIT MODEL	KIT CONTENTS	CODE	QTY
M60.DSK.0411	60 Month Service Kit CDAS HL & LE / OFAS HL & LE / FBP HL & LE (-70°C PDP)	CDAS HL & LE / OFAS HL & LE / FBP HL & LE MODEL 130	Valve Overhaul Kit	608730404	1
			Desiccant Kit WS	608203663	5
			Desiccant Kit MS	608203662	17
			Column Seal Kit	608620098	1

CATALOGUE NO	DESCRIPTION	TO SUIT MODEL	KIT CONTENTS	CODE	QTY
M60.DSK.0412	60 Month Service Kit CDAS HL & LE / OFAS HL & LE / FBP HL & LE (-70°C PDP)	CDAS HL & LE / OFAS HL & LE / FBP HL & LE MODEL 140	Valve Overhaul Kit	608730404	1
			Desiccant Kit WS	608203663	6
			Desiccant Kit MS	608203662	21
			Column Seal Kit	608620098	1

CATALOGUE NO	DESCRIPTION	TO SUIT MODEL	KIT CONTENTS	CODE	QTY
M60.DSK.0413	60 Month Service Kit CDAS HL & LE / OFAS HL & LE / FBP HL & LE (-70°C PDP)	CDAS HL & LE / OFAS HL & LE / FBP HL & LE MODEL 150	Valve Overhaul Kit	608730404	1
			Desiccant Kit WS	608203663	7
			Desiccant Kit MS	608203662	25
			Column Seal Kit	608620098	2

CATALOGUE NO	DESCRIPTION	TO SUIT MODEL	KIT CONTENTS	CODE	QTY
M60.DSK.0414	60 Month Service Kit CDAS HL & LE / OFAS HL & LE / FBP HL & LE (-70°C PDP)	CDAS HL & LE / OFAS HL & LE / FBP HL & LE MODEL 160	Valve Overhaul Kit	608730404	1
			Desiccant Kit WS	608203663	8
			Desiccant Kit MS	608203662	29
			Column Seal Kit	608620098	2

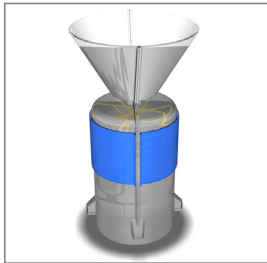
CATALOGUE NO	DESCRIPTION	TO SUIT MODEL	KIT CONTENTS	CODE	QTY
M60.DSK.0415	60 Month Service Kit CDAS HL & LE / OFAS HL & LE / FBP HL & LE (-70°C PDP)	CDAS HL & LE / OFAS HL & LE / FBP HL & LE MODEL 170	Valve Overhaul Kit	608730404	1
			Desiccant Kit WS	608203663	9
			Desiccant Kit MS	608203662	33
			Column Seal Kit	608620098	2

## Special Tools Required

The adsorbent desiccant material used in CDAS HL & LE / OFAS HL & LE / FBP HL & LE treatment systems is factory filled using a snowstorm filler. When the dryer is serviced, the replacement desiccant must also be filled using a Snowstorm Filler.

### Important Note:

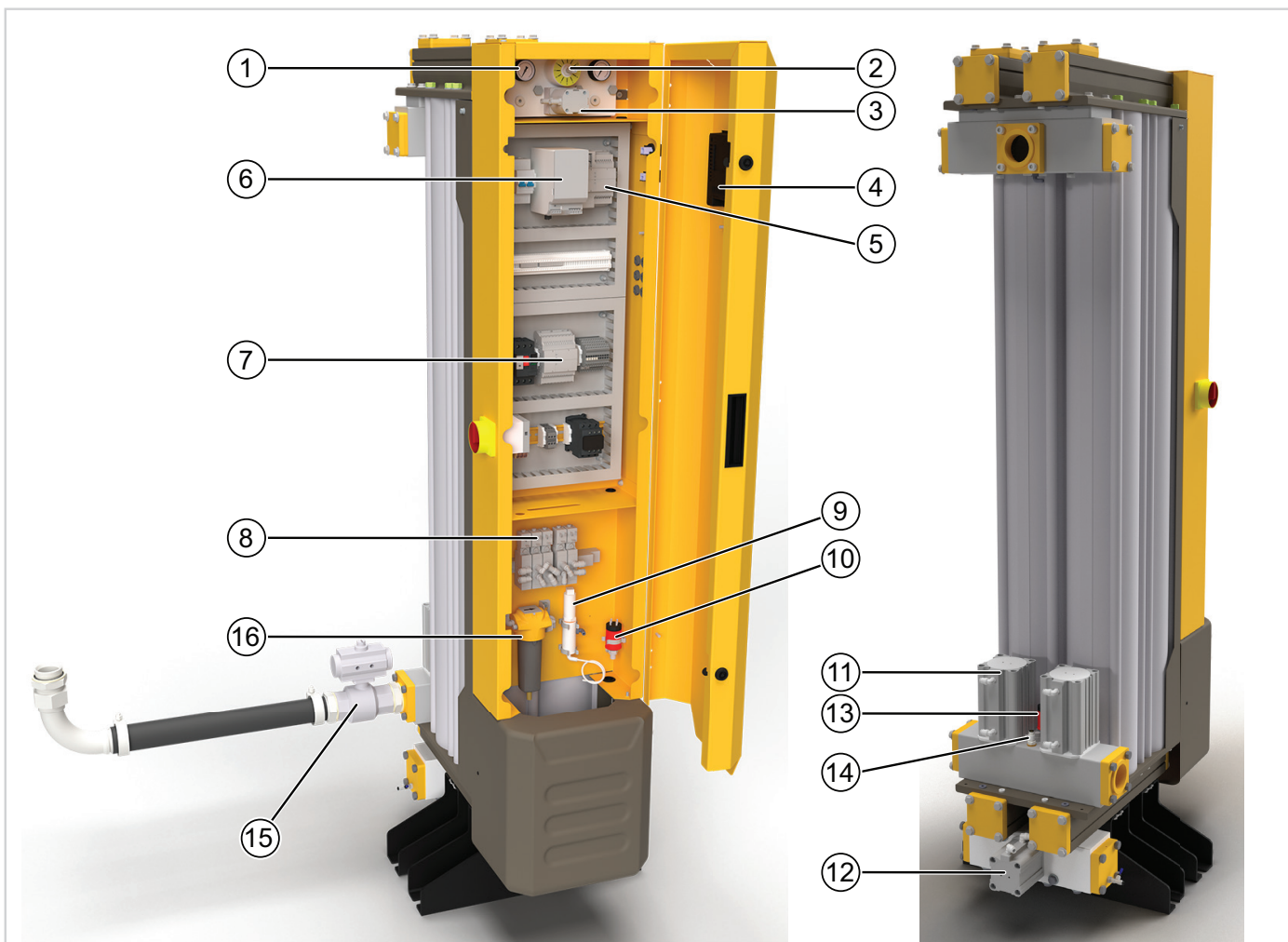
Failure to use a snowstorm filler when changing the desiccant material will result in a loss of outlet dewpoint, desiccant attrition, possible blocked outlet dry particulate filter and reduced desiccant lifetime.



CATALOGUE NO	DESCRIPTION	CONTENTS
608201051	Snowstorm Filler	Jumbo Snowstorm Filler

# BREAKDOWN SPARES

# BREAKDOWN SPARES - CDAS / OFAS / FBP HL & LE 100 - 170



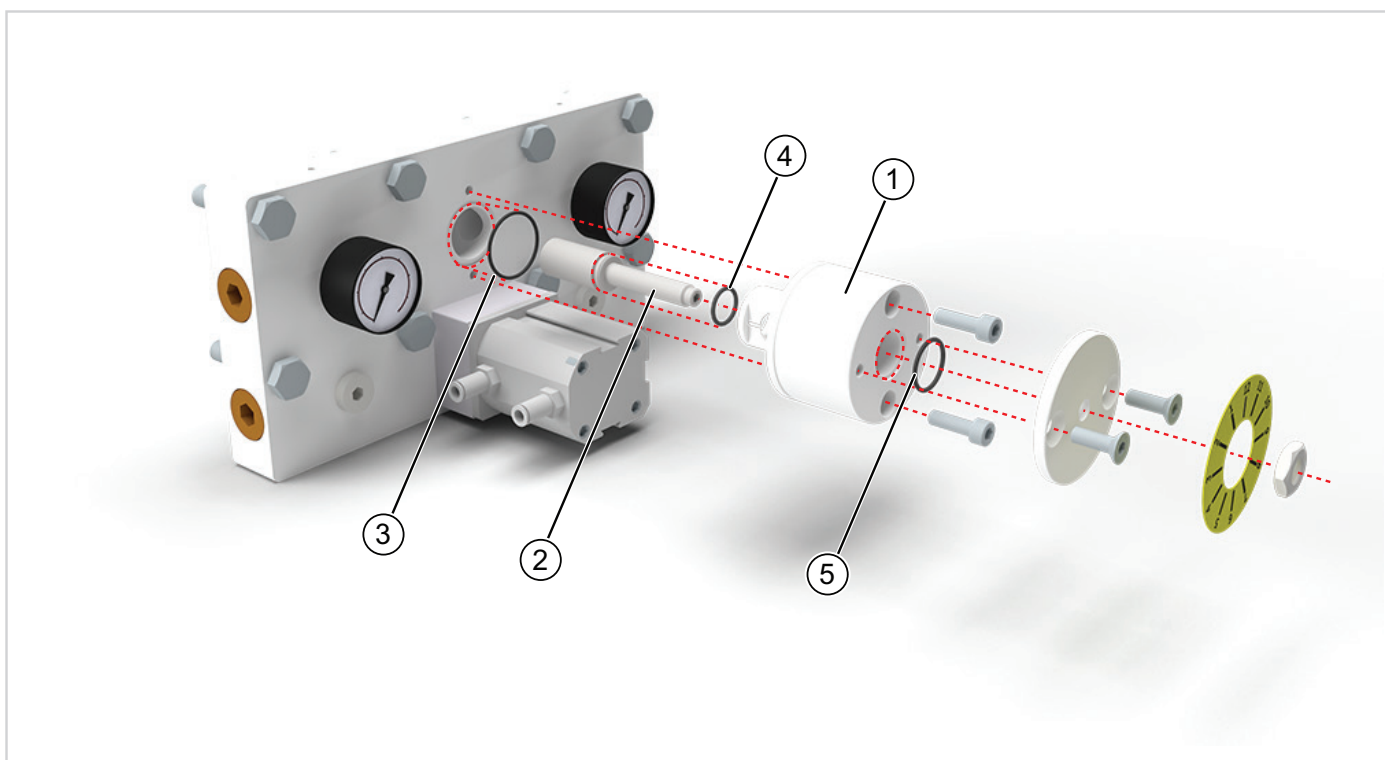
REFERENCE NO.	DESCRIPTION	REFERENCE NO.	DESCRIPTION
1	Column Pressure Gauges	9	Hygrometer Sensor
2	Purge Assembly	10	Sensor
3	QRV Assembly	11	Inlet Valve Assembly Valve Assembly
4	HMI Display	12	Exhaust Valve Assembly
5	PLC	13	Column Pressure Sensor
6	PSU	14	Outlet Temperature Sensor
7	Expansion Module	15	Vacuum Pump Return Valve
8	5 Bank Manifold	16	Filtration

# COLUMN PRESSURE GAUGES



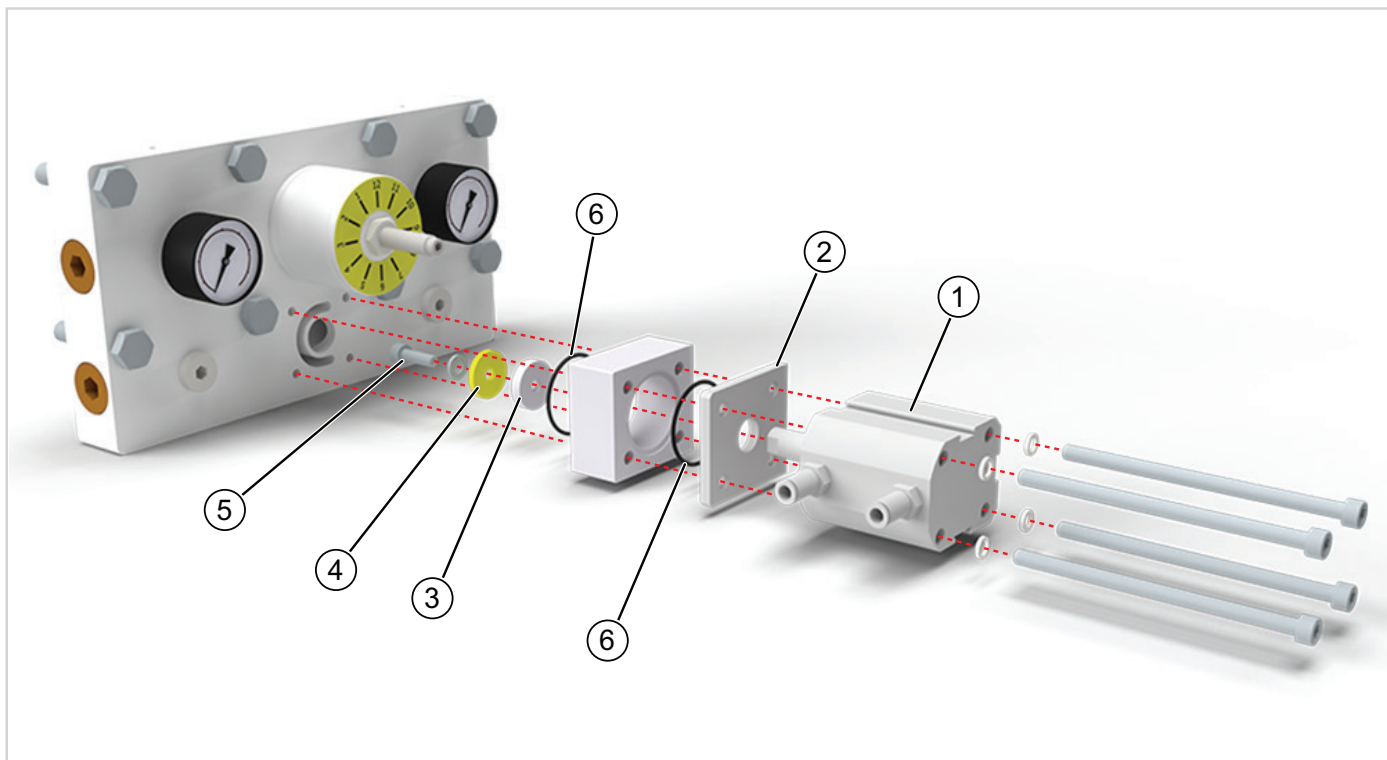
KIT NUMBER	DESCRIPTION	KIT CONTENTS		COMMENTS
608200162	KIT:Pressure Gauge	1	Pressure Gauge (x1)	-

# PURGE ASSEMBLY



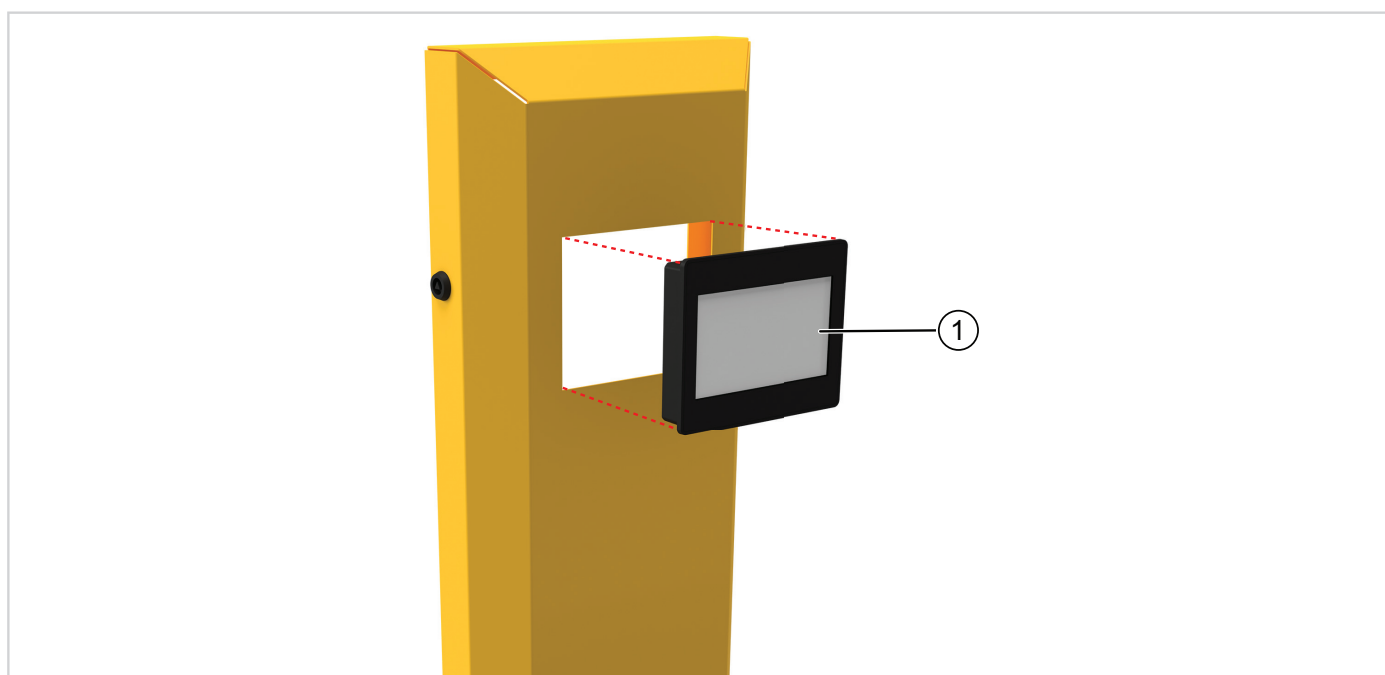
KIT NUMBER	DESCRIPTION	KIT CONTENTS		COMMENTS
608730420	CDASHL-LE Purge Outer	1	Purge Outer (x1)	-
		2	Purge Spindle (x1)	-
		3	O-Ring BS025 High Nitrile (x1)	-
		4	O-Ring BS015 High Nitrile (x1)	-
		5	O-Ring BS018 High Nitrile (x1)	-

## QRV ASSEMBLY



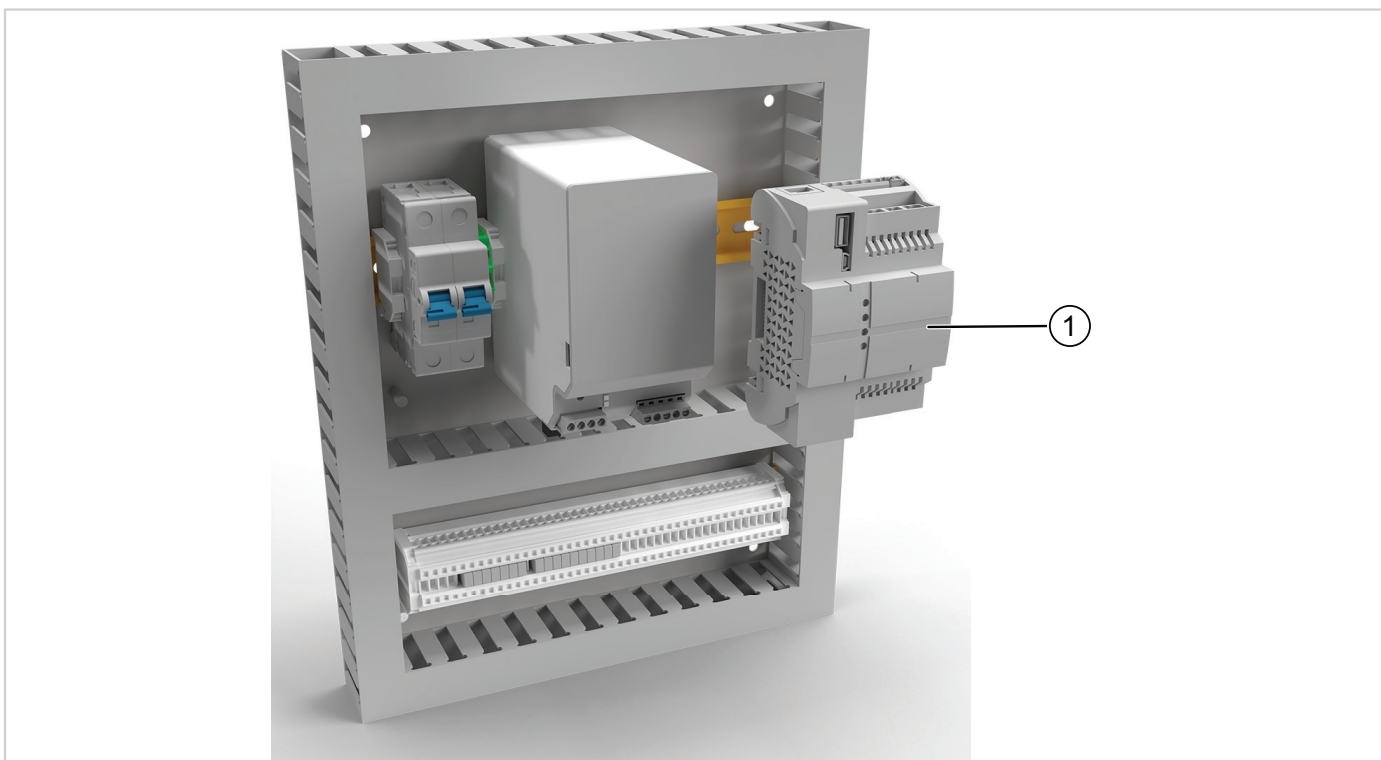
KIT NUMBER	DESCRIPTION	KIT CONTENTS	COMMENTS
608730402	QRV KIT HL-LE	1 32 Dia x 25 Stoke Compact Cylinder (x1)	-
		2 Valve Sealing Plate (x1)	-
		3 Check Valve Backing Disc (x1)	-
		4 Polyurethane Disc (x1)	-
		5 M6 x 20 Socket Head Screw (x1)	-
		6 O-Ring BS028 High Nitrile (x2)	-

## HMI DISPLAY



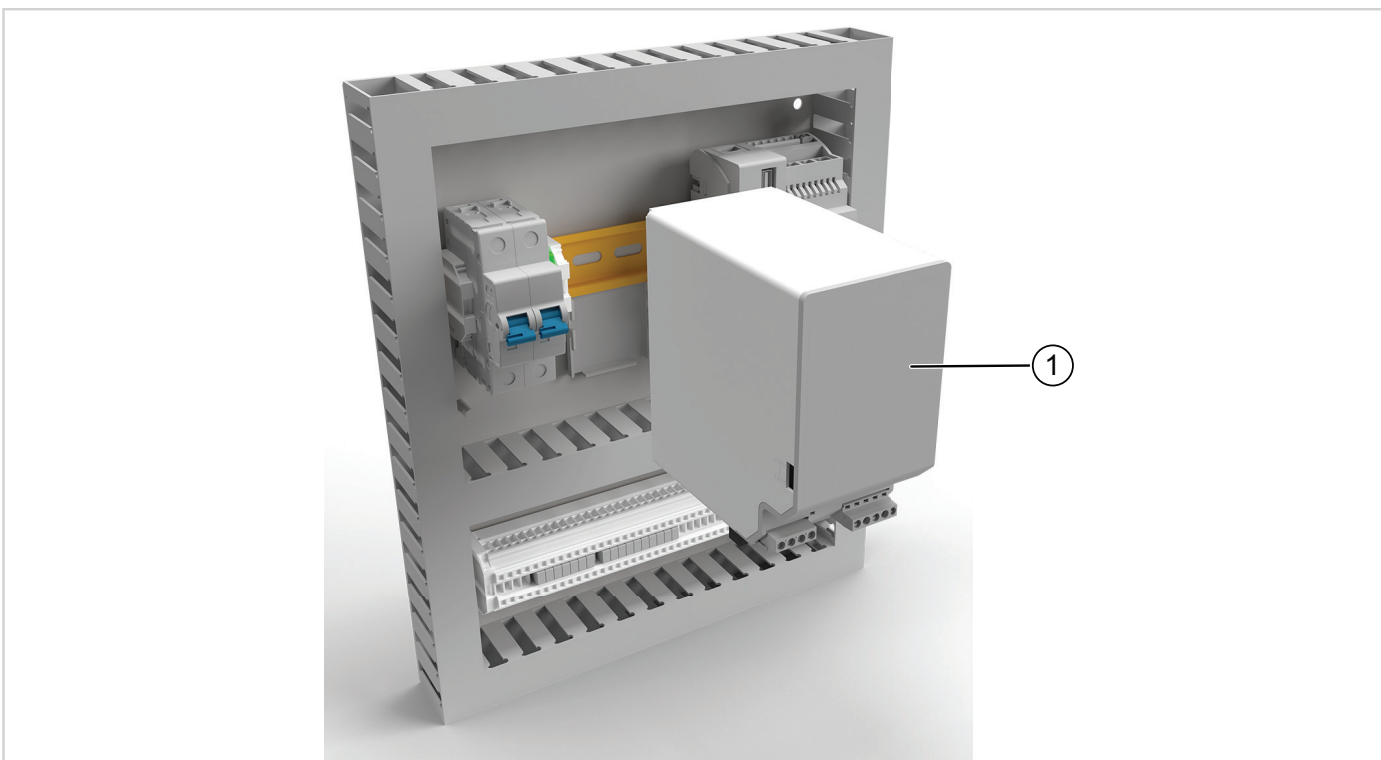
KIT NUMBER	DESCRIPTION	KIT CONTENTS	COMMENTS
608730416	KIT: HMI 7 Inch Display	1 HMI Display (x1)	-

## PLC



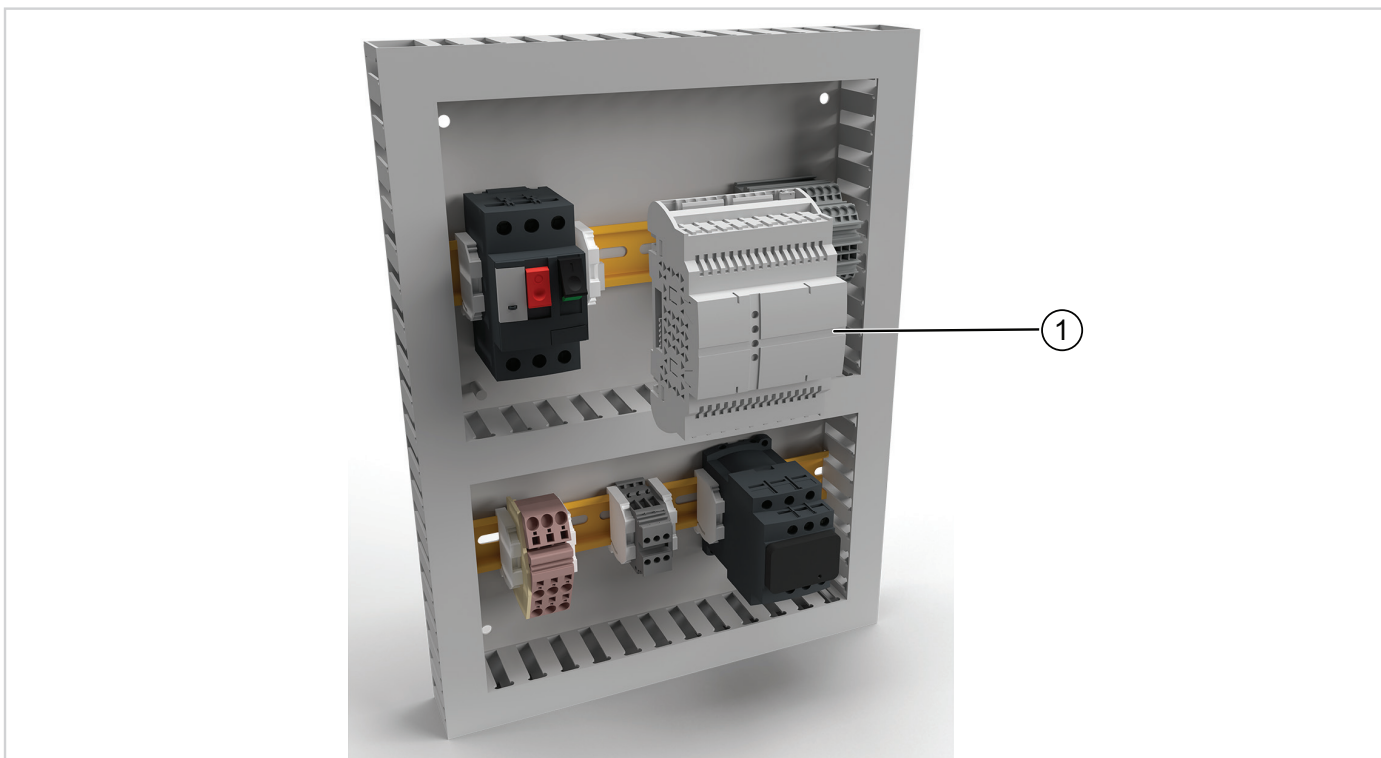
KIT NUMBER	DESCRIPTION	KIT CONTENTS		COMMENTS
608730421	KIT: CDASHL LE PLC	1	CDASHL-LE PLC (x1)	-

## PSU



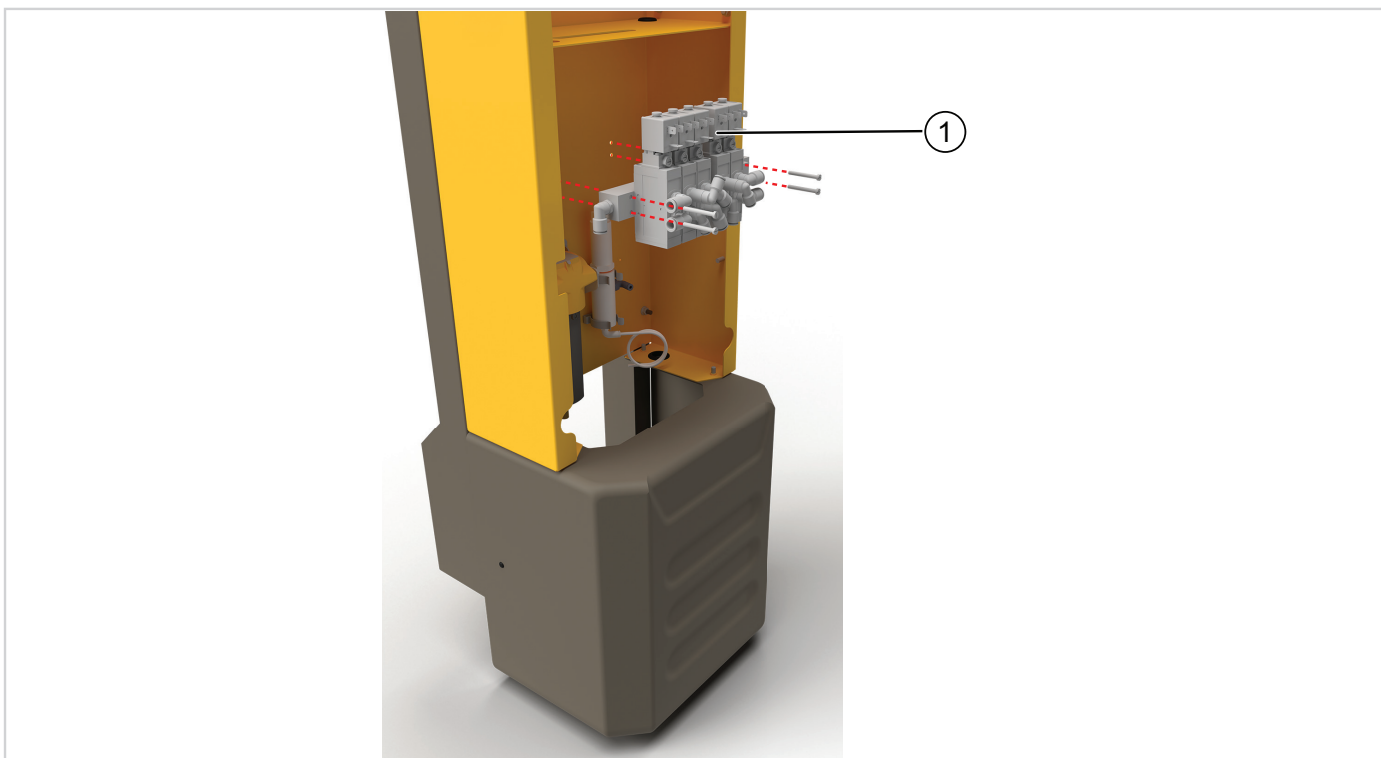
KIT NUMBER	DESCRIPTION	KIT CONTENTS		COMMENTS
608730423	KIT: CDASHL LE PSU	1	CDASHL-LE PSU (x1)	-

## EXPANSION MODULE



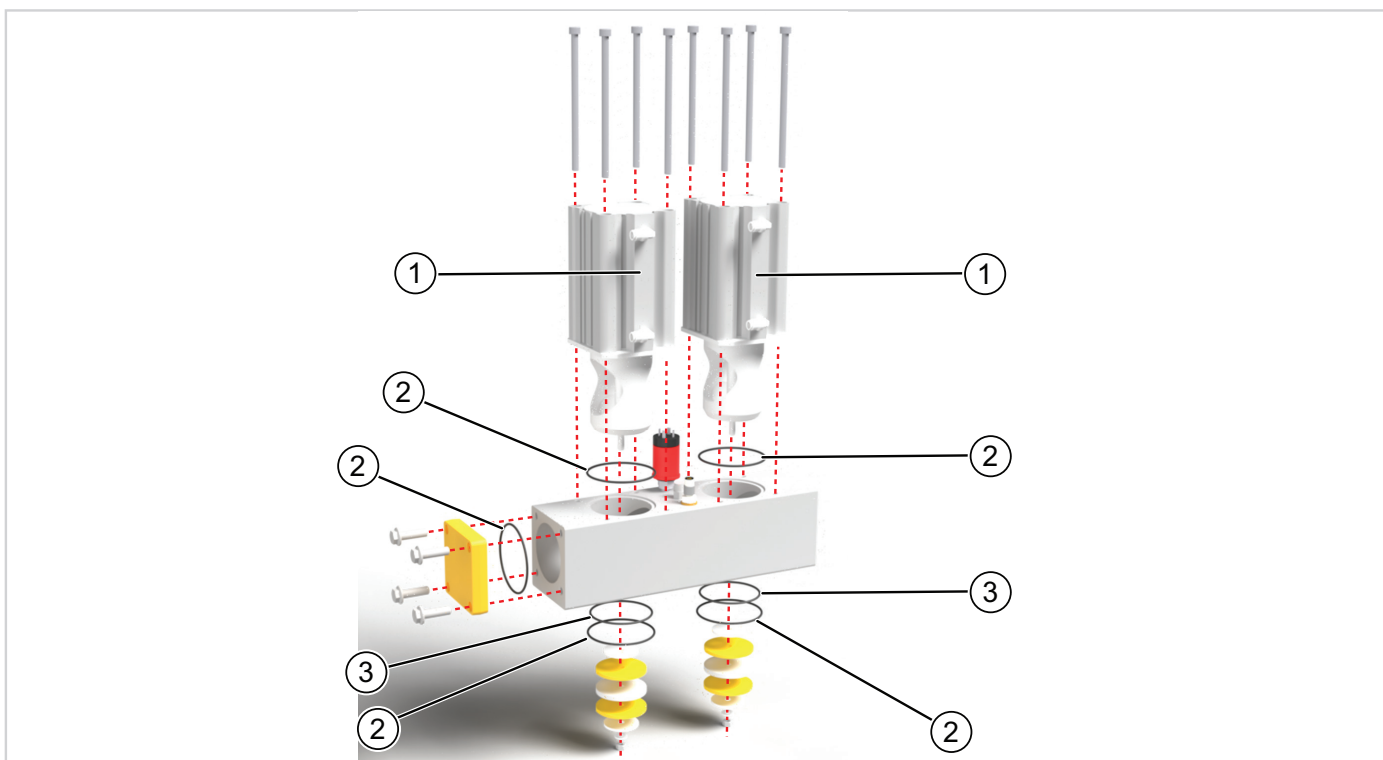
KIT NUMBER	DESCRIPTION		KIT CONTENTS	COMMENTS
608730422	KIT: CDASHL LE Expansion Module	1	CDASHL-LE Expansion Module (x1)	-

## 5 BANK MANIFOLD



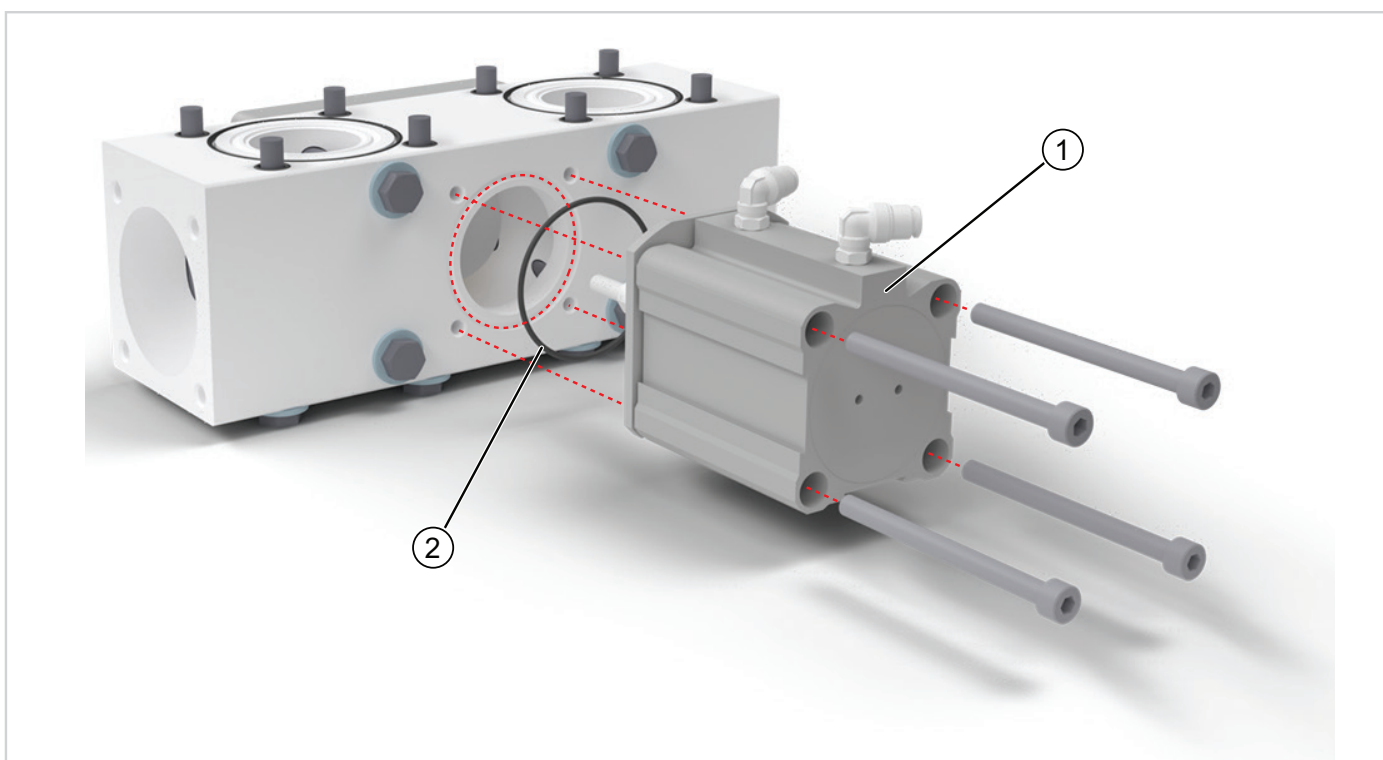
KIT NUMBER	DESCRIPTION		KIT CONTENTS	COMMENTS
608730403	Control Valve Kit HL-LE	1	5 Bank Manifold (x1)	-

## INLET VALVE ASSEMBLY



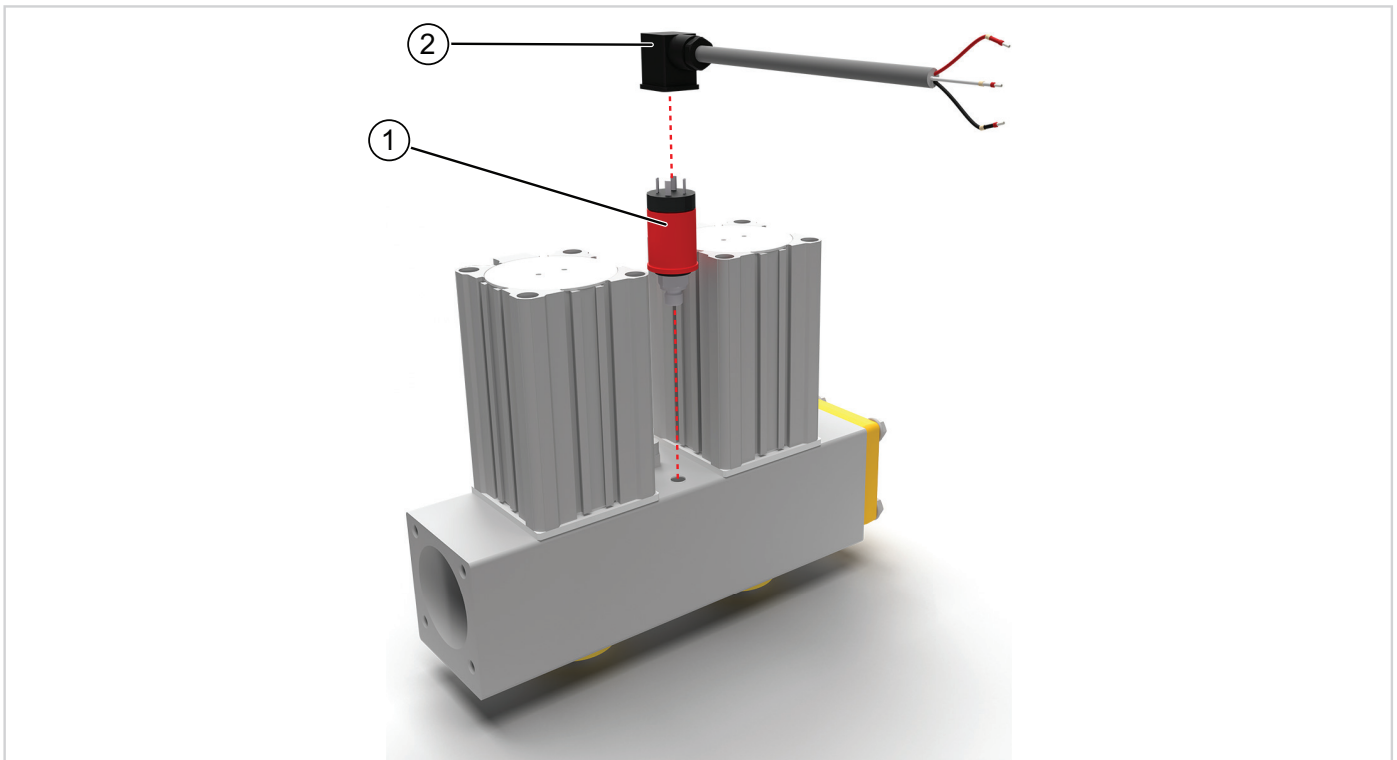
KIT NUMBER	DESCRIPTION	KIT CONTENTS		COMMENTS
608730400	Inlet Valve Kit HL-LE	1	CDASHL-LE Inlet Cylinder 80 Dia (x1)	-
		2	O-Ring BS152 High Nitrile (x5)	-
		3	O-Ring BS151 NBR (x2)	-

## EXHAUST VALVE ASSEMBLY



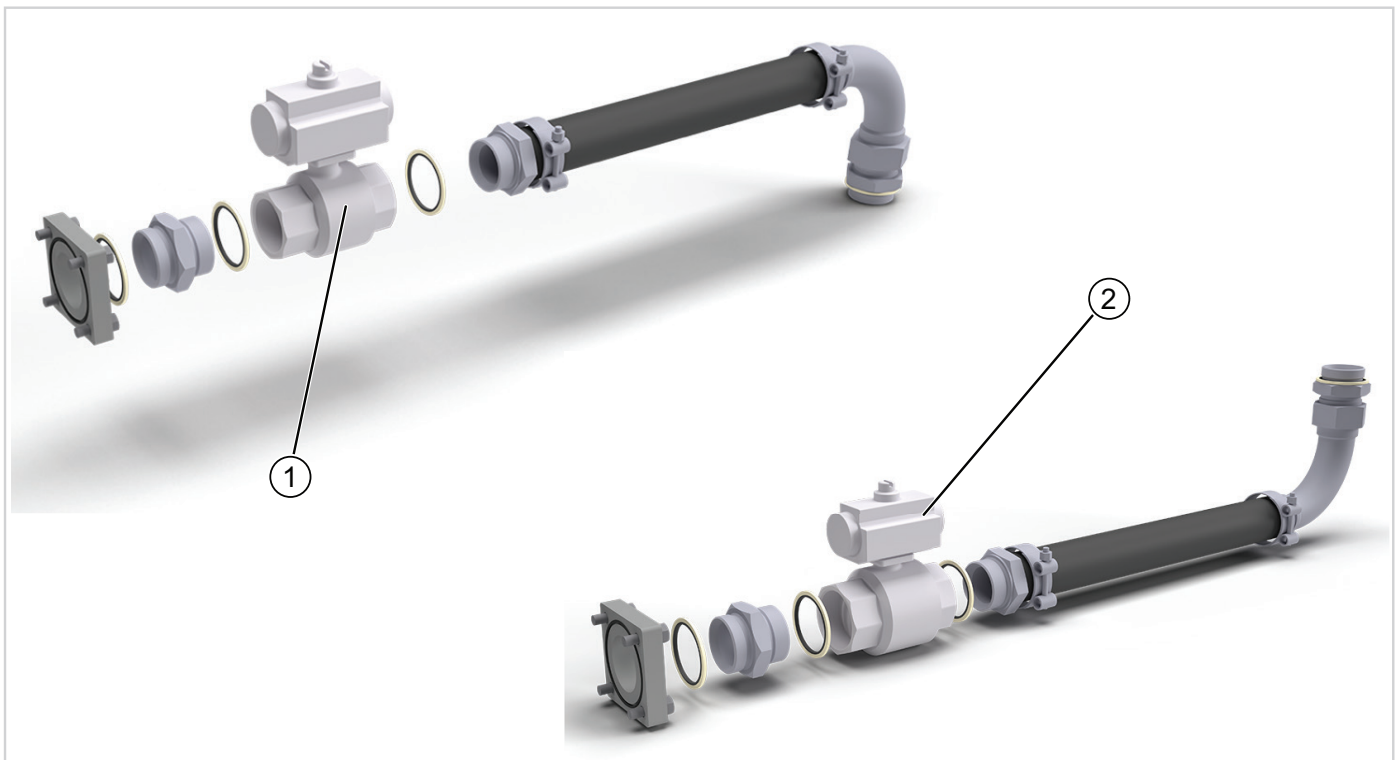
KIT NUMBER	DESCRIPTION	KIT CONTENTS		COMMENTS
608730401	Exhaust Valve Kit HL-LE	1	CDASHL-LE Exhaust Cylinder 63 Dia (x1)	-
		2	O-Ring BS148 High Nitrile (x1)	-

## COLUMN PRESSURE SENSOR



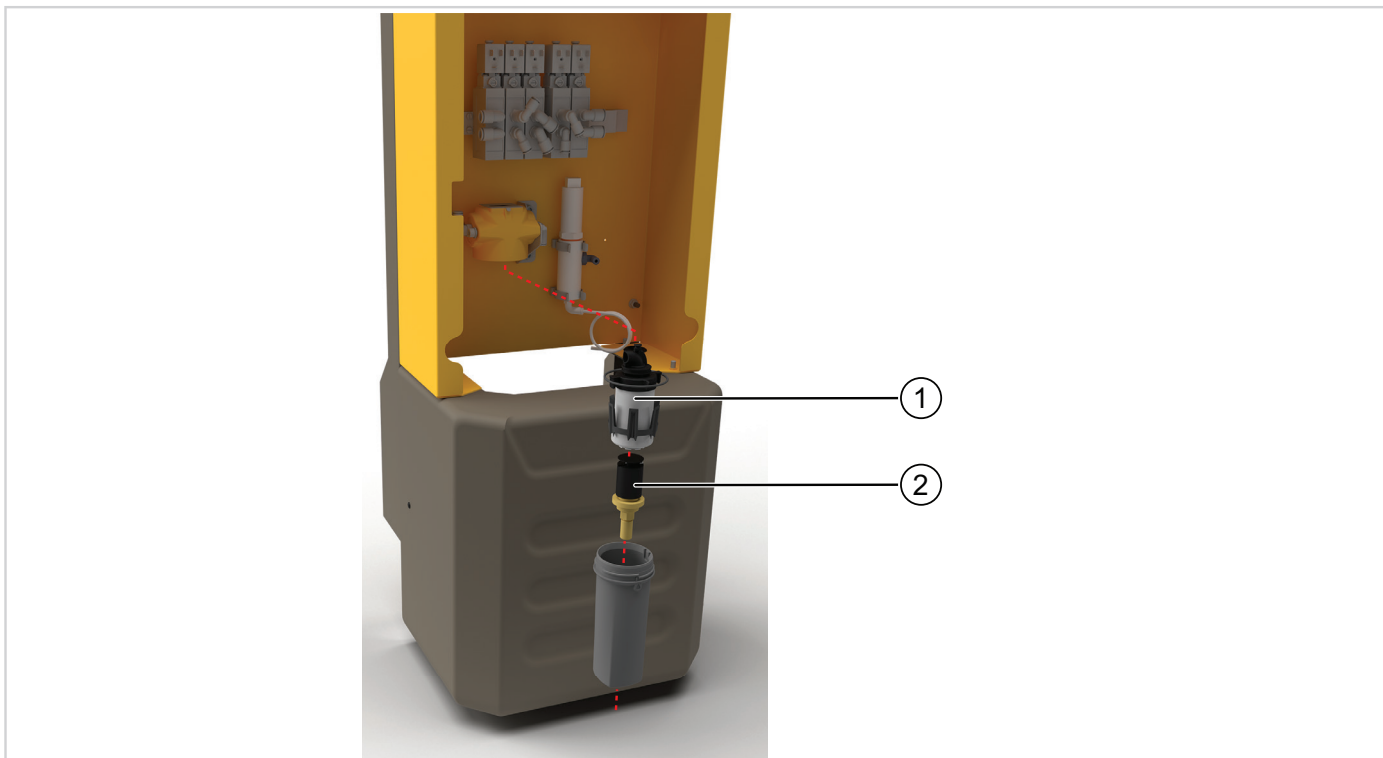
KIT NUMBER	DESCRIPTION	KIT CONTENTS		COMMENTS
608730405	Column Pressure Kit HL-LE	1	Pressure Sensor 1 to 13 Barg (x1)	-
		2	CDASHL-LE Column Pressure Cable (x1)	-

## VACUUM PUMP RETURN VALVES



KIT NUMBER	DESCRIPTION	KIT CONTENTS		COMMENTS
608730418	KIT: 2 Inch Spring Return Valve	1	2 Inch Spring Return Valve (x1)	CDAS/OFAS/FBP LE 100-140
608730417	KIT: 2.5 Inch Spring Return Valve	2	2.5 Inch Spring Return Valve (x1)	CDAS/OFAS/FBP LE 150-170

# FILTRATION ASSEMBLY



KIT NUMBER	DESCRIPTION	KIT CONTENTS		COMMENTS
P010AA	P010AA	1	P010AA (x1)	-
M12.FD.0001	KIT: Float Drain	2	Float Drain (x1)	-



**PARKER HANNIFIN MANUFACTURING LIMITED**

Gas Separation and Filtration Division EMEA  
Dukesway, Team Valley Trading Est  
Gateshead, Tyne and Wear  
England NE11 0PZ

Tel: +44 (0) 191 402 9000

Fax: +44 (0) 191 482 6296

[www.parker.com/gsfe](http://www.parker.com/gsfe)

