

- Single and multi element sanitary liquid housing
- Full range from 1 to 30 cartridges, 10" to 40" with different sockets and connections
- Cost effective housings without compromising quality
- Food grade EC 1935/2004 compliance
- Supplied with adjustable legs



Specifications

Materials of Construction

Housing: 316L/1.4404

Surface Finish

Internal: Mechanical polishing <math><0.8\mu\text{m Ra}</math>
External: Mechanical mirror polishing

Cartridge Socket: C [226]
Number of Cartridges: 1, 3, 5, 8, 12, 18, 24, 30

Technical Design Data

Design Code: PED 2014/68/EU
PED Category: SEP I, II, III
PED Fluid Group: 2
PED Fluid State: Liquid and gas
ATEX Regulation: Group 2, CAT 2, Gas & Dust
Fluid GR IIC, Zone 1 & 21

Design Pressure: 10 bar at -20 to 40°C
4 bar at -20 to 150°C

Certification: Supplied as standard with IOMI and vessel inspection certificate

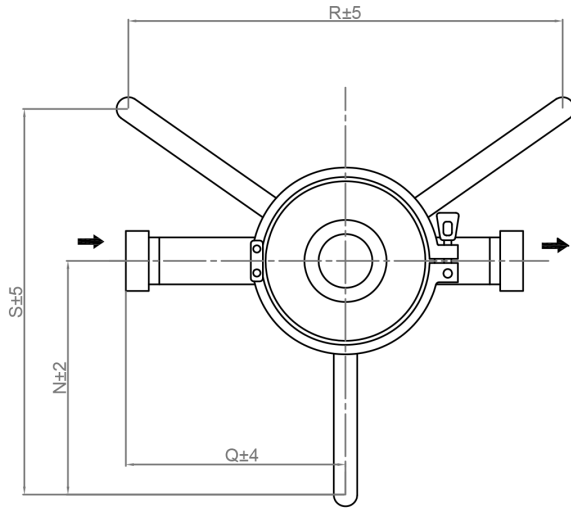
Dimensional Data Standard Connection

Vessel Model (Q)	Cartridge Length	ØD	R mm	S mm	N mm	C mm	E mm	Volume (litres)	PED Category
PUP011	01 x 10"	Ø101.6	339	326	207	790	300	3.0	4.3
PUP012	01 x 20"		339	326	207	1040	550	4.8	4.3
PHP013	01 x 30"		339	326	207	1290	800	6.7	I
PUP014	01 x 40"		339	326	207	1540	1050	8.6	I
PUP032	03 x 20"	Ø168	357	310	206	1065	540	12.6	I
PUP033	03 x 30"		357	310	206	1314	790	17.8	I
PUP034	03 x 40"		357	310	206	1564	1040	23.1	II
PUP052	05 x 20"	Ø219	400	347	231	1075	540	20	II
PUP053	05 x 30"		400	347	231	1325	790	29.1	II
PUP054	05 x 40"		400	347	231	1575	1040	38.2	II
PUP082	08 x 20"	Ø273	448	388	259	1096	540	35.5	II
PUP083	08 x 30"		448	388	259	1346	790	49.7	II
PUP084	08 x 40"		488	388	259	1596	1040	63.9	II
PUP123	12 x 30"	Ø350	425	410	279	1430	790	88	II
PUP124	12 x 40"		425	410	279	1680	1040	112	III
PUP183	18 x 30"	Ø400	505	480	304	1450	790	115	III
PUP184	18 x 40"		505	480	304	1700	1040	146	III
PUP243	24 x 30"	Ø450	465	455	-	1470	790	151	III
PUP244	24 x 40"		465	455	-	1720	1040	190	III
PUP303	30 x 30"	Ø550	550	550	-	1500	790	235	III
PUP304	30 x 40"		550	550	-	1750	1040	293	III

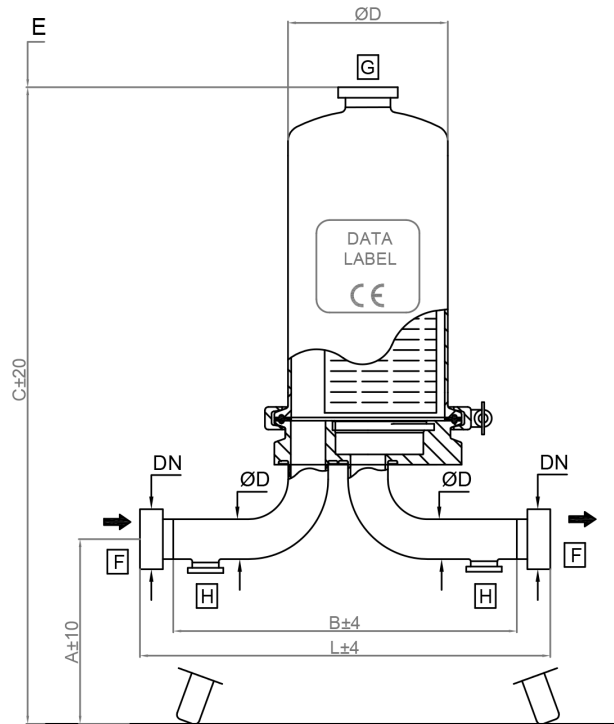
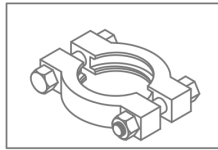
Vessel Model (Q)	Clamp	Without Drain			With Drain			DIN 11851 Male Part	Without Drain			With Drain			Butt Weld ASME BPE	Without Drain			With Drain		
		A	L	Q	A	L	Q		A	L	Q	A	L	Q		A	B	Q	A	B	Q
PUP01	1.0"	375	188	103	375	269	154	DN25	375	220	118	375	300	169	25.4 x 1.65	375	163	90	375	244	141
PUP03	1.5"	345	310	147	345	385	223	DN40	345	351	168	345	426	243	38.1 x 1.65	345	285	135	345	360	210
PUP05	2.0"	315	378	196	315	445	263	DN50	315	423	218	315	490	285	50.8 x 1.65	315	353	183	315	420	250
PUP08	2.0"	315	404	222	315	471	289	DN50	315	449	244	315	516	311	50.8 x 1.65	315	379	209	315	446	273
PUP12	2.5"	326	493	225	326	573	225	DN65	326	547	252	326	627	252	76.2 x 1.65	326	467	212	326	547	212
PUP18	2.5"	318	563	264	318	643	264	DN65	318	618	291	318	698	291	63.5 x 65	325	482	212	325	564	212
PUP24	2.5"	325	509	225	325	589	225	DN65	325	564	252	325	644	252	63.5 x 1.65	318	539	252	318	518	252
PUP30	3.0"	292	685	323	292	765	323	DN80	292	740	356	331	820	256	76.2 x 1.65	292	660	310	292	740	310

Dimensional Data Standard Connection

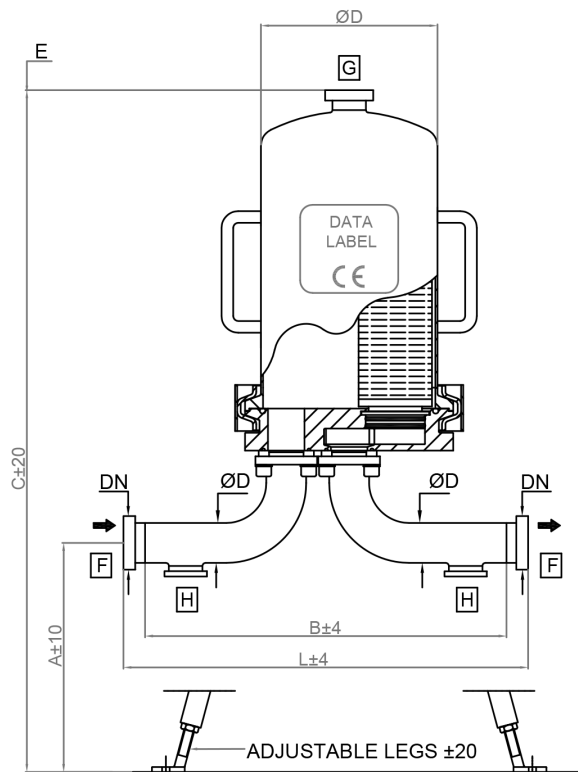
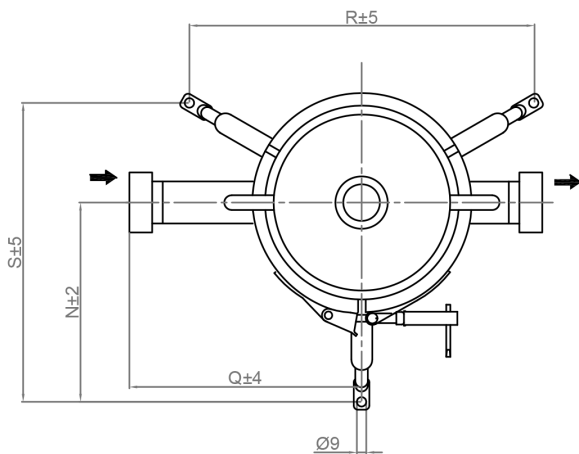
PUP cartridges quantity 01



PTFE GASKET IS SUPPLIED WITH DOUBLE BOLTED CLAMP

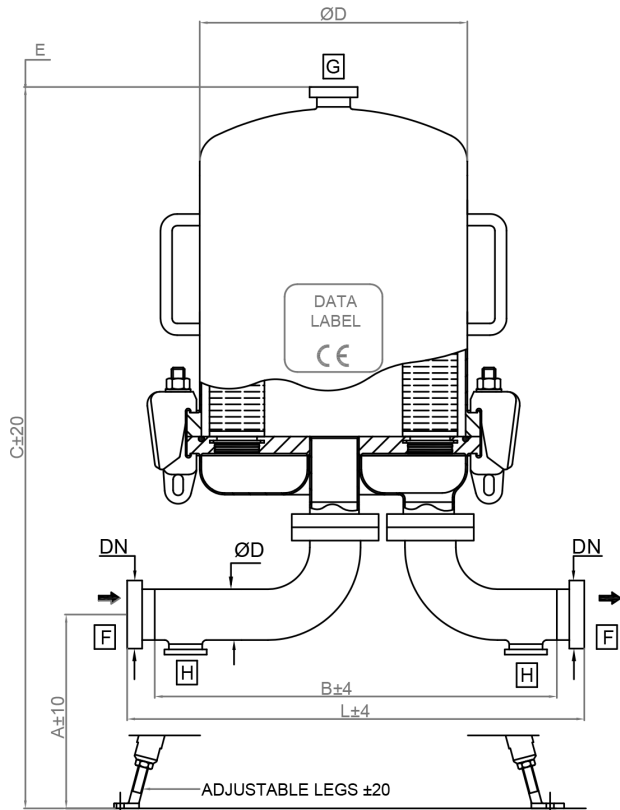
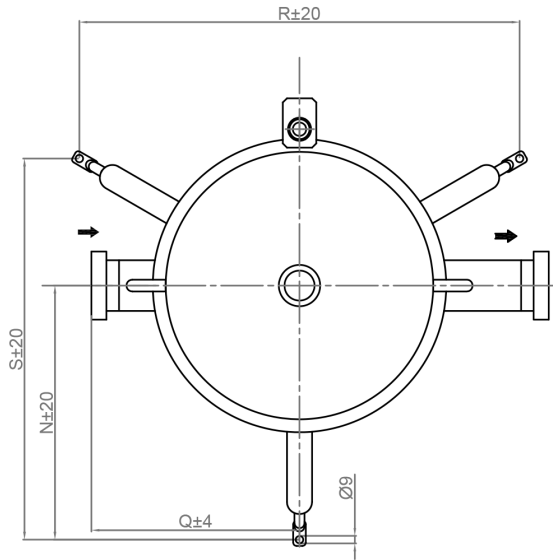


PUP cartridges quantity 03, 05, 08

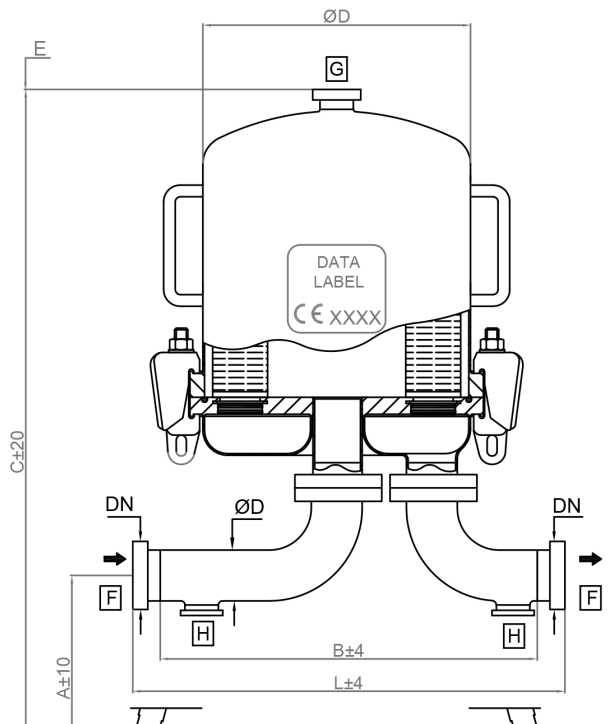
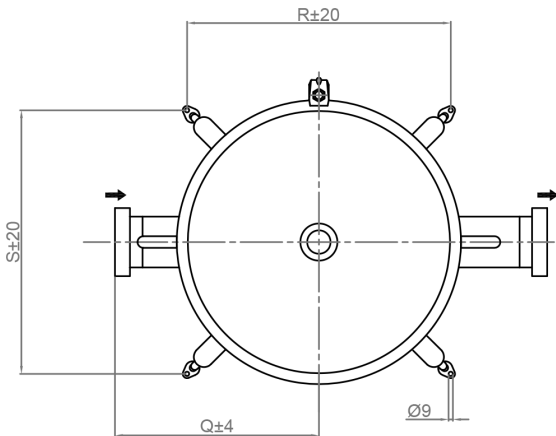


Dimensional Data Standard Connection

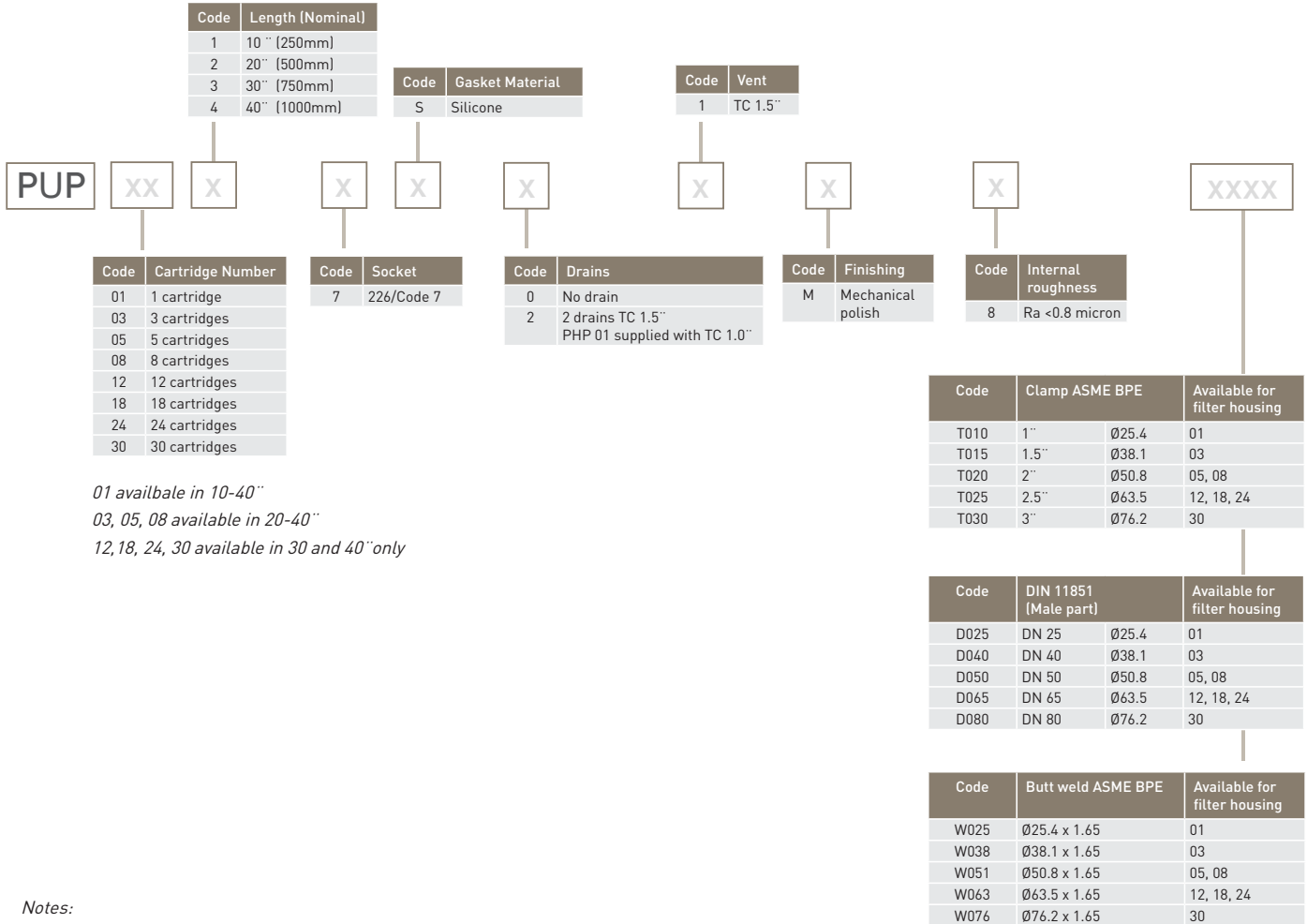
PUP cartridges quantity 12,18



PUP cartridges quantity 24, 30



Ordering Information



01 available in 10-40"

03, 05, 08 available in 20-40"

12, 18, 24, 30 available in 30 and 40" only

Notes:

Surface finish mechanical polish <0.8µm Ra guaranteed downstream only

Housings are supplied without blanking plugs on vent and drains