

## PUB Single and Demi Filter Housing

Air / gas filtration

- Flow efficient range of air / gas housings specifically designed for food and beverage applications
- Demi (TRUESEAL) and K-30" (226) housings
- Designed for gas filtration, includes plenum chamber for condensate handling
- Full material traceability
- Food grade compliance to EC1935/2004



### Specifications

#### Materials of Construction

Housing: 316L/1.4404

#### Surface Finish

Internal: Mechanical polishing <math><0.8\mu\text{m Ra}</math>  
External: Mechanical mirror polishing

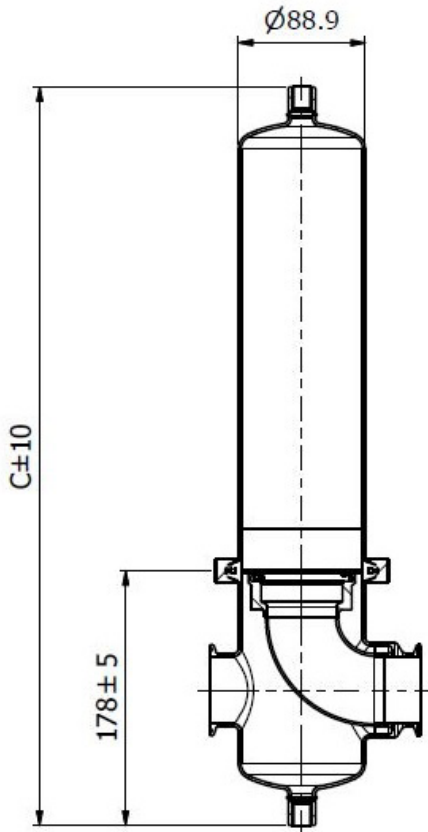
Cartridge Socket: C style (226), TRUESEAL  
Number of Cartridges: 1

#### Technical Design Data

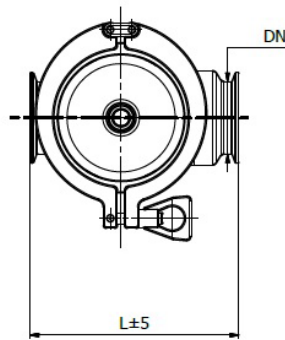
Directive: PED 2014/68/EU  
ATEX 2014/34/EU  
PED Category: Demi, K-20 - SEP (ART 4.3)  
30" - CAT 1  
PED Fluid Group: PHB Demi, Group 1&2  
PHB K-30", Group 2 only  
PED Fluid State: Gas  
ATEX Regulation: Group 2, CAT 2, Gas & Dust  
Fluid GR IIC, Zone 1 & 21  
Design Pressure: -1 to 10 bar @ -20°C to 150°C

Certification: Supplied as standard with IOMI and vessel inspection certificate

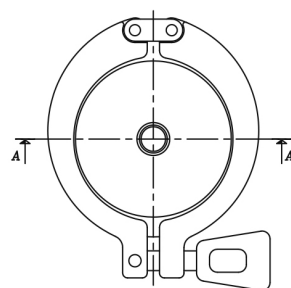
## Dimensions



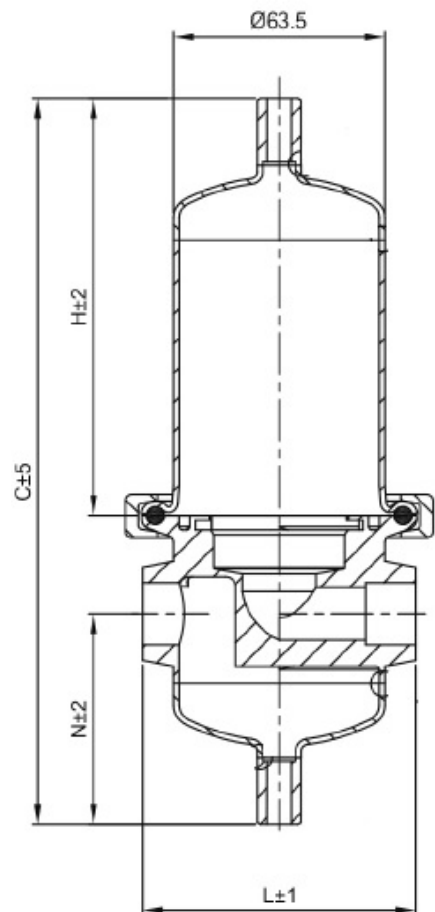
Model	K	10"	20"	30"
Cartridges number x Height (inches)	0.1 x 05"	01 x 10"	01 x 20"	01 x 03"
PED category	Art. 4.3	Art. 4.3	Art. 4.3	I
C mm (with vent)	380	500	750	1000
Total vessel volume litres	2.2	3.0	4.0	6.0
Bowl weight kg	0.7	1.1	1.9	2.7
Total net weight kg	2.6	3.0	4.0	5.0
Total weight packed kg	3.6	4.0	5.0	6.0



	Clamp ASME BPE	Weld ASME BPE	DIN11851
L mm (1.5"/ DN40)	139	262	188
L mm (2"/ DN50)	148	278	201

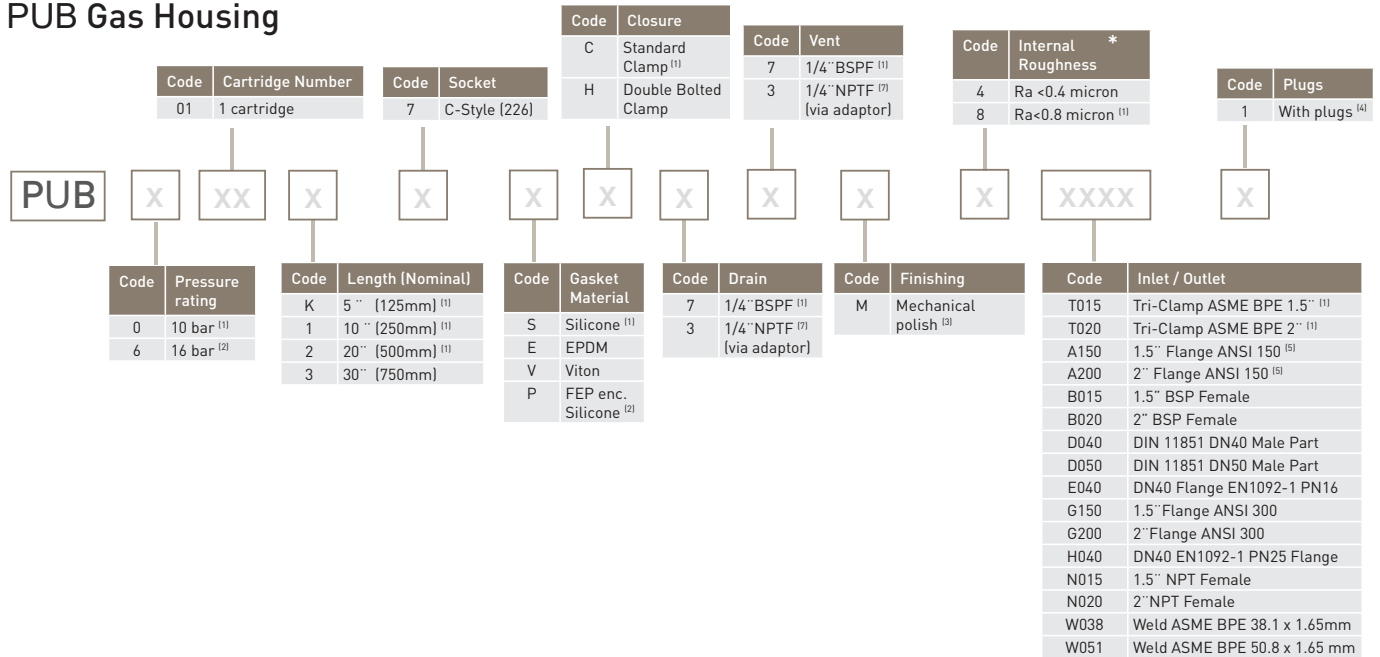


	Dimensional Data			
	BSPF 1/2"		BSPF 1.0"	
PED Category	Art 4.3		Art 4.3	
Cartridge height	2.5"	5"	2.5"	5"
C (mm)	198	254	212	268
H (mm)	111	167	111	167
N (mm)	59	59	67	67
L (mm)	82	82	92	92
Volume (Litres)	0.32	0.48	0.34	0.50

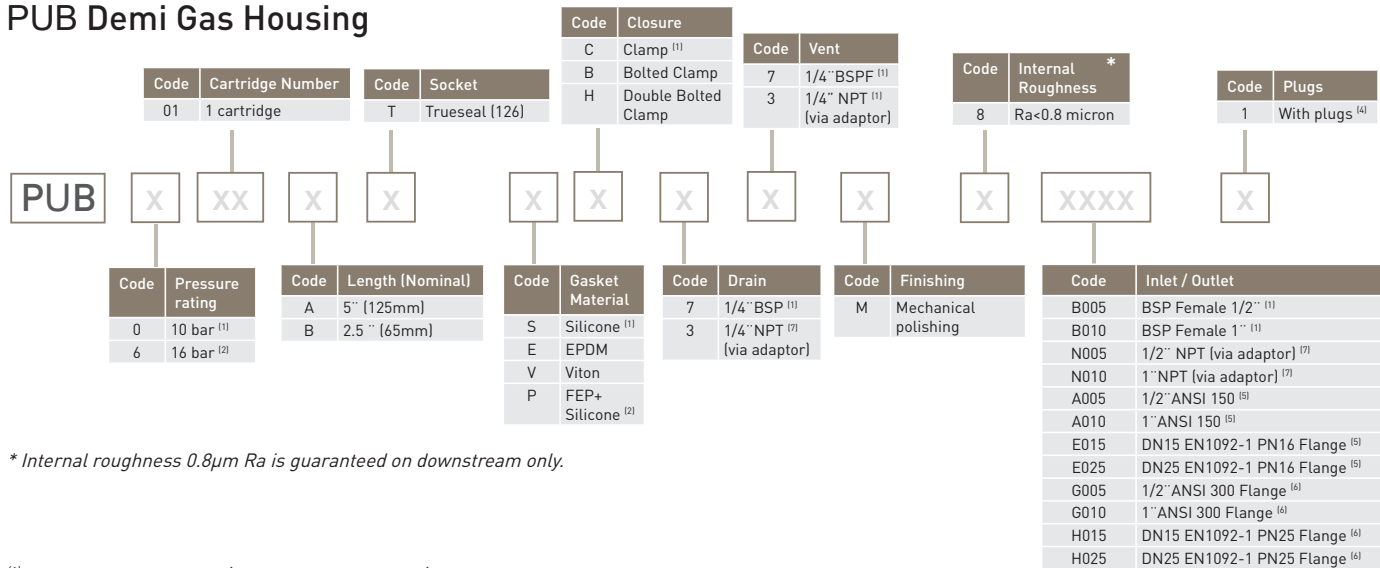


## Ordering Information

### PUB Gas Housing



### PUB Demi Gas Housing



\* Internal roughness 0.8µm Ra is guaranteed on downstream only.

<sup>(1)</sup> Standard Configuration (offers better lead-time)

<sup>(2)</sup> Requires double bolt clamp

<sup>(3)</sup> Mechanical Polish is specified as Fine Brush Satin Finish (internal surfaces)

<sup>(4)</sup> Plug gasket material only available as viton

<sup>(5)</sup> Available on 10 bar option only

<sup>(6)</sup> Available on 16 bar option only

<sup>(7)</sup> Vent and drain are NPT only with NPT inlet and outlet