

- Atmospheric pressure range of vent housings
- Available in 1, 3, 5, 8 and 12 round in 10 to 40"
- Range of industry standard connections
- Suitable for group 2 gases



Specifications

Materials of Construction

Housing: 316L/1.4404

Surface Finish

Internal: Mechanical polishing
External: Mechanical mirror polishing

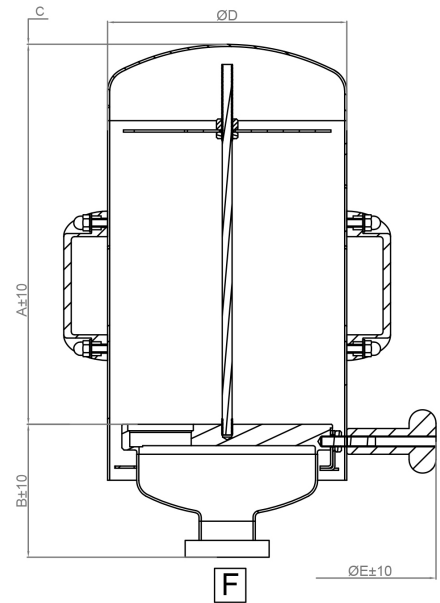
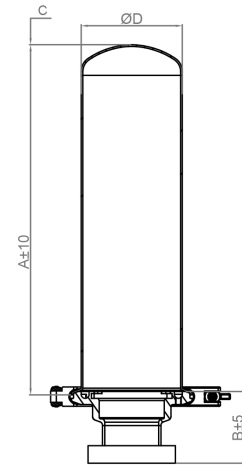
Cartridge Socket: C (226) style
Number of Cartridges: 1, 3, 5, 8, 12

ATEX Regulation: Group 2, CAT 2 Gas & Dust
Fluid GR IIC, Zone 1 & 21

Certification: Supplied as standard with IOMI and vessel inspection certificate

Dimensions

Cartridge number and height	A	B				Weld	C	Handles	ØD	ØE
		Clamp ASME BPE	DIN 11851 Liner Part	DIN 11851 Male part						
01 x 10"	315	43	59	64	70	300	No	88.9	130	
01 x 20"	565	43	59	64	70	550	No	88.9	130	
01 x 30"	815	43	59	64	70	800	No	88.9	130	
01 x 40"	1065	43	59	64	70	1050	No	88.9	130	
03 x 10"	351	97	127	126	143	300	No	219	400	
03 x 20"	601	97	127	126	143	550	Yes	219	400	
03 x 30"	851	97	127	126	143	800	Yes	219	400	
03 x 40"	1101	97	127	126	43	1050	Yes	219	400	
05 x 10"	345	106	133	142	150	300	No	219	400	
05 x 20"	595	106	133	142	150	550	Yes	219	400	
05 x 30"	845	106	133	142	150	800	Yes	219	400	
05 x 40"	1095	106	133	142	150	800	Yes	219	400	
08 x 10"	349	120	147	156	164	300	No	273	440	
08 x 20"	599	120	147	156	164	550	yes	273	440	
08 x 30"	849	120	147	156	164	800	yes	273	440	
08 x 40"	1099	120	147	156	164	1050	yes	273	440	
12 x 10"	346	N.A.	179	192	202	300	No	400	570	
12 x 20"	596	N.A.	179	192	202	550	Yes	400	570	
12 x 30"	846	N.A.	179	192	202	800	Yes	400	570	
12 x 40"	1096	N.A.	179	192	202	1050	Yes	400	570	



Ordering Information

PUV XX X 7 XXXX

Code	Cartridge Number
01	1 cartridge
03	3 cartridges
05	5 cartridges
08	8 cartridges
12	12 cartridges

Code	Length (Nominal)
1	10" (250mm)
2	20" (500mm)
3	30" (750mm)
4	40" (1000mm)

Code	Clamp ASME BPE ^F	Available for filter housing
T020	2"	01
T030	3"	03
T040	4"	05, 08

Code	DIN 11851 Liner Part ^F	Available for filter housing
L050	DN50	01
L080	DN80	03
L100	DN100	05, 08
L150	DN150	12

Code	DIN 11851 Male Part ^F	Available for filter housing
M050	DN50	01
M080	DN80	03
M100	DN100	05, 08
M150	DN150	12

Code	Weld ASME BPE ^F	Available for filter housing
W051	Ø50.8 x 1.65	01
W076	Ø76.2 x 1.65	03
W101	Ø101.2 x 2.11	05, 08

Code	Weld ISO 1127-1 ^F	Available for filter housing
W168	Ø168.3 x 2.00	12