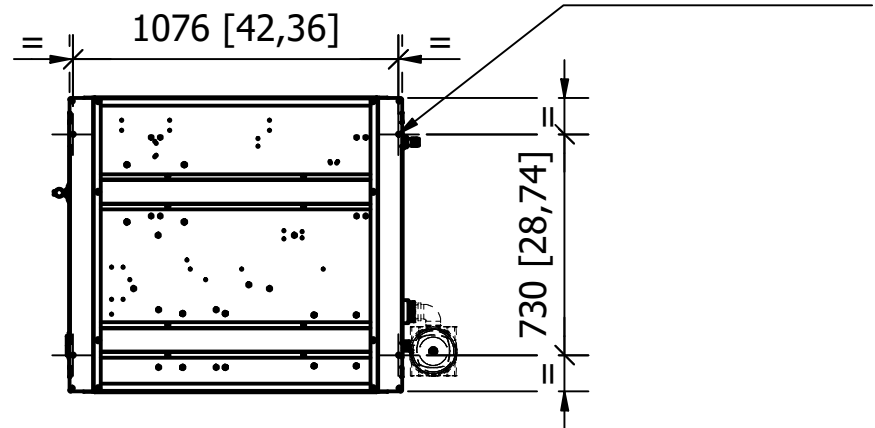
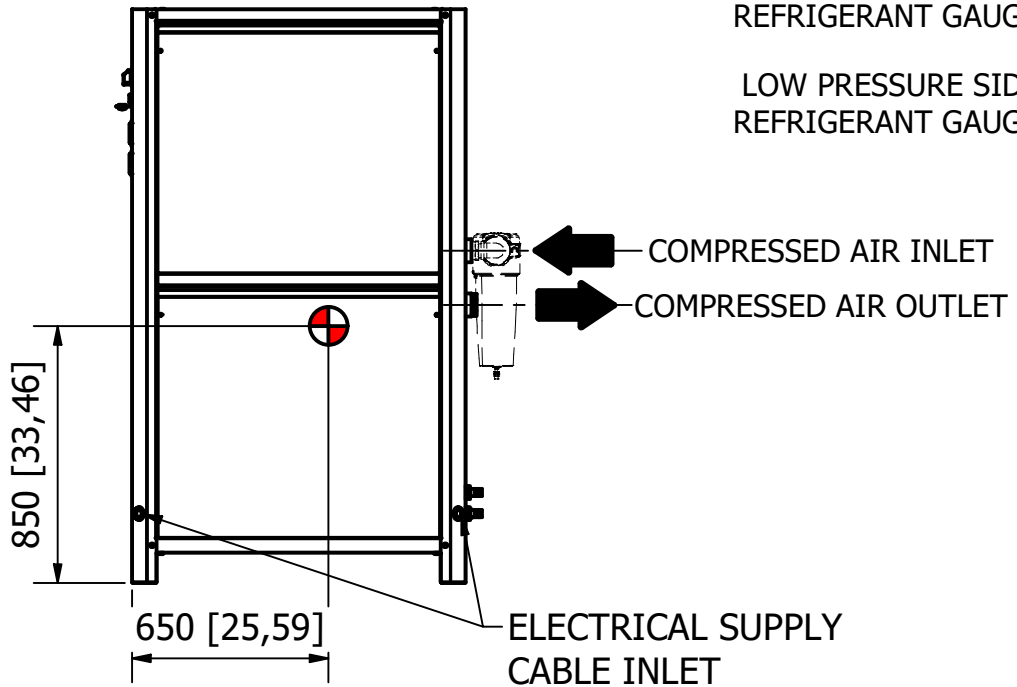


BOTTOM VIEW
BASE FIXING HOLES POSITION



RIGHT VIEW

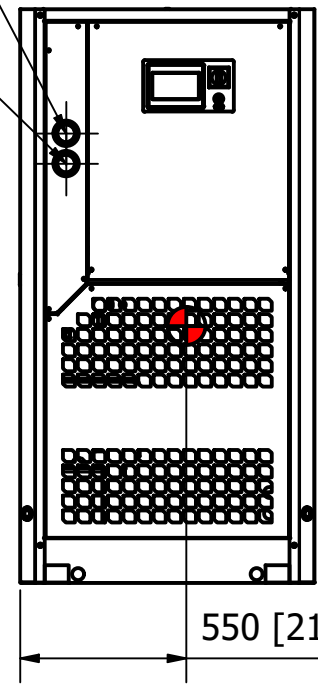


HIGH PRESSURE SIDE REFRIGERANT GAUGE
LOW PRESSURE SIDE REFRIGERANT GAUGE

COMPRESSED AIR INLET
COMPRESSED AIR OUTLET

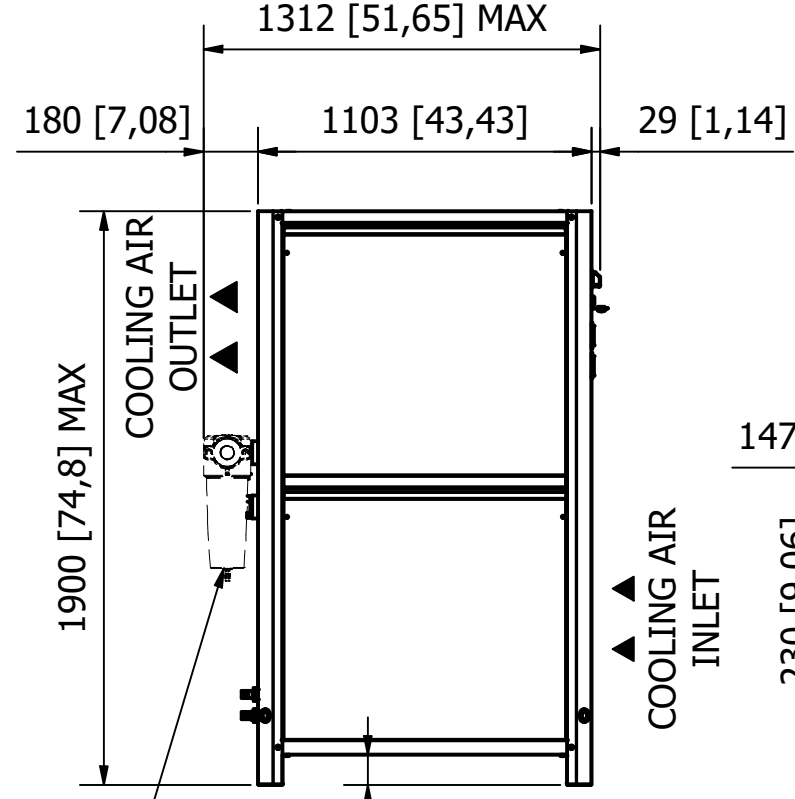
ELECTRICAL SUPPLY CABLE INLET

FRONT VIEW



FILTER SUPPLY LOOSE

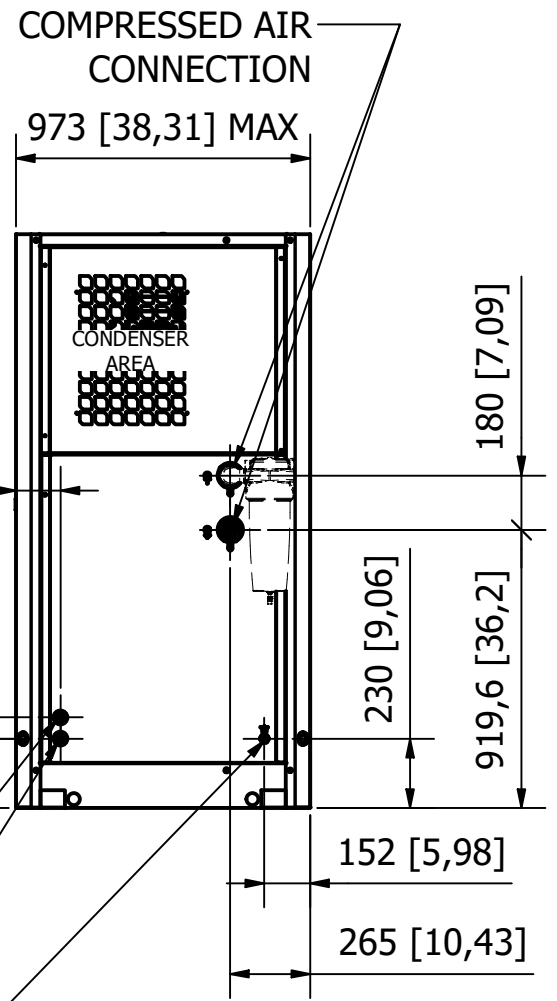
LEFT VIEW



COOLING AIR OUTLET

COOLING AIR INLET

BACK VIEW



COMPRESSED AIR CONNECTION

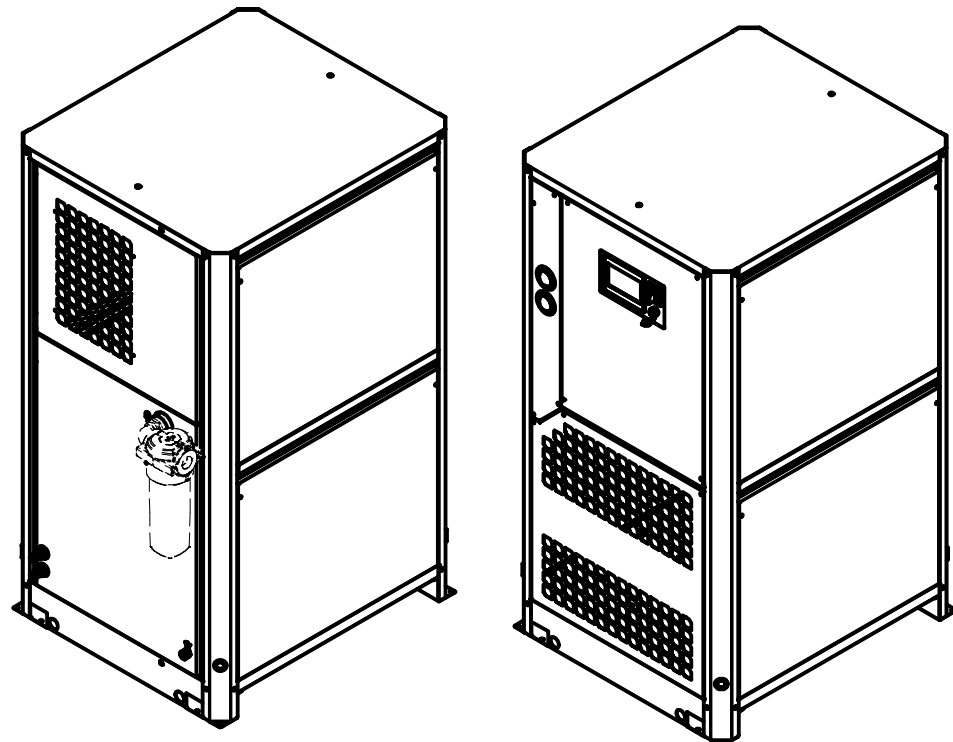
CONDENSER AREA

PURGE CONNECTION FOR PIPING Øint. 25mm

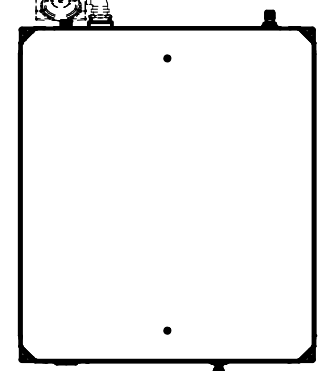
DISCHARGE CONNECTION FOR PIPING Øint. 25mm

CONDENSATE DRAIN 1/2" BSPP-F CONNECTION

MODEL 50Hz	COMPRESSED AIR CONNECTION
ATT+ 060	1"1/2 BSPP-F
ATT+ 090	1"1/2 BSPP-F



TOP VIEW



Parker Hiross Parker Hannifin Manufacturing S.r.l.
Gas Separation and Filtration Division EMEA - Strada Zona Industriale,4- 35020 - S. Angelo di Piove (PD) -ITALY

TOLERANCE UNI EN 22768 - mK UNI EN ISO 13920 - AE DIN 28005 ISO 1302	ECO Checked/Approved by ENOVIA process	DESCRIPTION OVERALL DIMENS.ATT+ 060/090 AIR COND. DIMENSIONI INGOMBRO ATT+ 060/090 AIR COND.
ISO 128-30 Method 1	AUTHOR MB238398	DATE 23/11/2022
UNITS MM	SCALE 1:25	MASS kg
DRAWING NO. H39AN0090L001		REV. -
JDE Cod. Art. (Optional)		FORMAT A3
SHEET 1 / 1		

THIS DOCUMENT CONTAINS INFORMATION THAT IS CONFIDENTIAL AND PROPRIETARY TO PARKER HANNIFIN MANUFACTURING - GAS SEPARATION AND FILTRATION DIVISION EMEA. THIS DOCUMENT IS FURNISHED ON THE UNDERSTANDING THAT THE DOCUMENT AND THE INFORMATION IT CONTAINS WILL NOT BE COPIED OR DISCLOSED TO OTHERS OR USED FOR ANY PURPOSE OTHER THAN CONDUCTING BUSINESS WITH PARKER, AND WILL BE RETURNED AND ALL FURTHER USE DISCONTINUED UPON REQUEST BY PARKER. THE RECIPIENT OF THIS DOCUMENT THROUGH ITS OWN ANALYSIS AND TESTING IS SOLELY RESPONSIBLE FOR MAKING THE FINAL SELECTION OF THE APPLICABLE SYSTEM AND COMPONENTS AND ASSURING THAT ALL PERFORMANCE, ENDURANCE, MAINTENANCE, SAFETY AND WARNING REQUIREMENTS OF THE APPLICATION ARE MET. COPYRIGHT PARKER, YEAR OF COPYRIGHT IS FIRST YEAR INDICATED ON THIS DOCUMENT. ALL RIGHTS RESERVED. Hiross is a registered trademark owned by Parker Hannifin S.p.A.