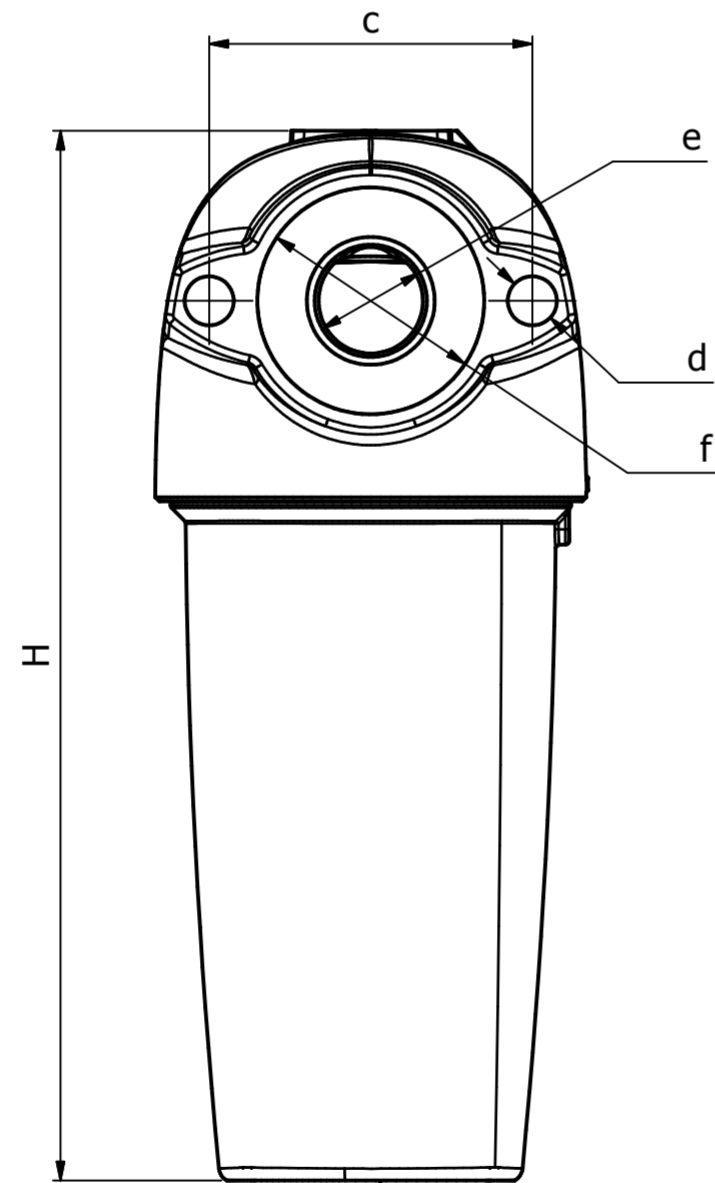
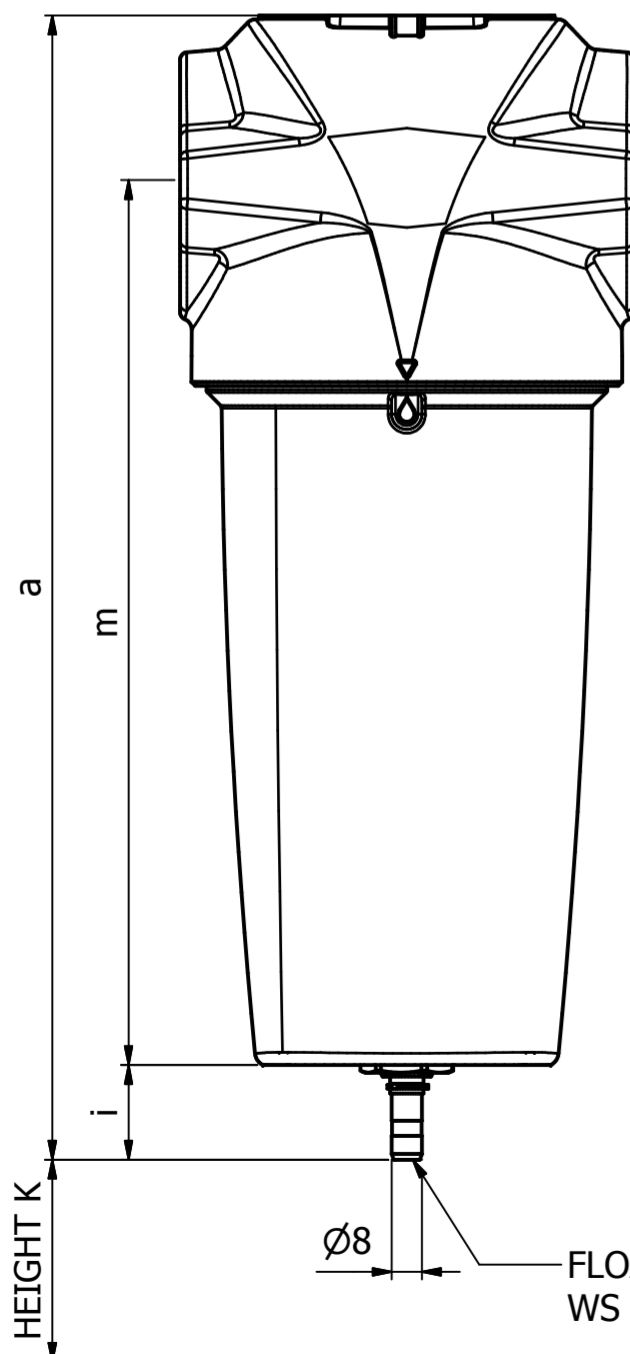
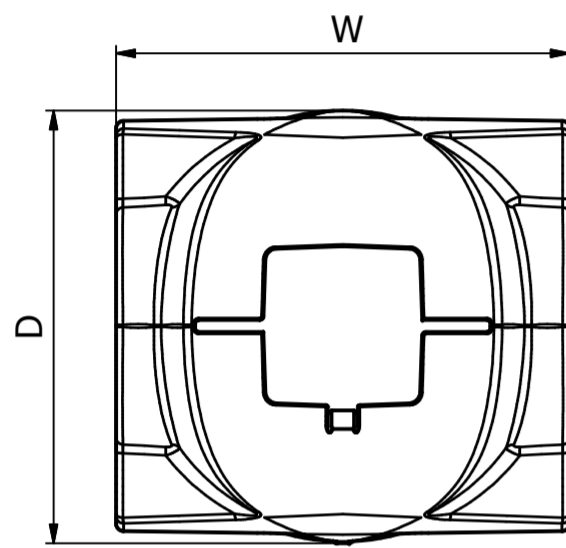
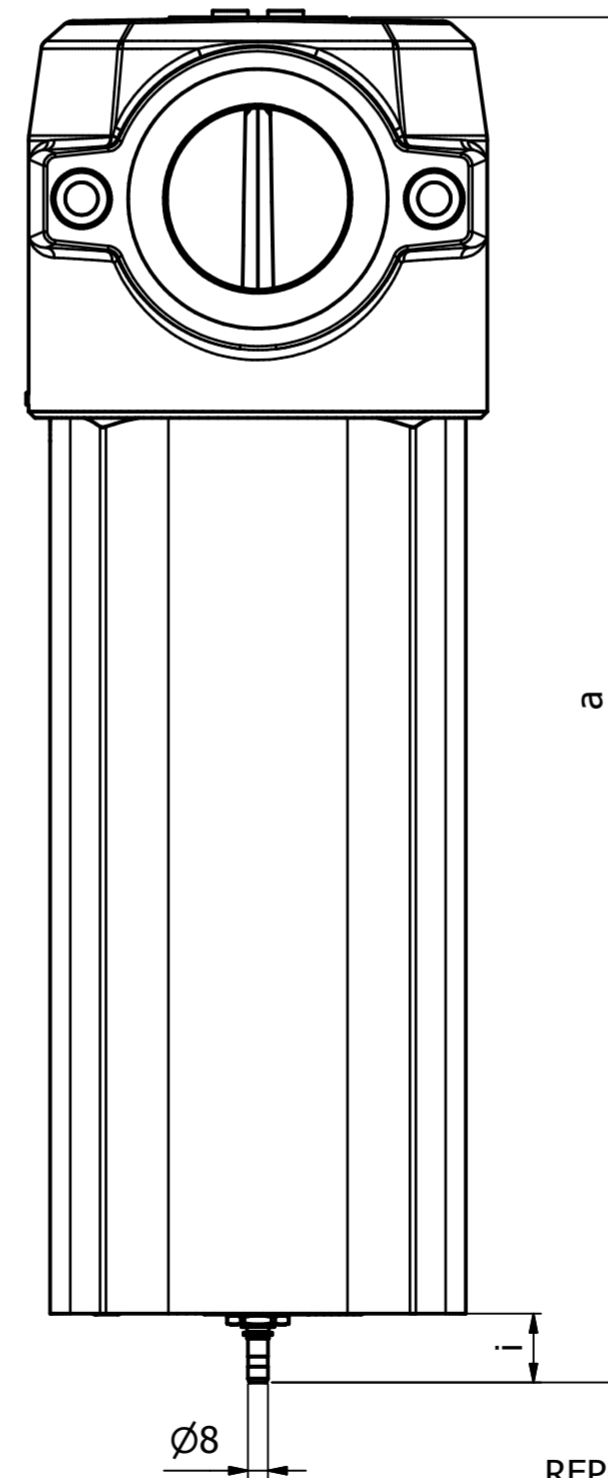


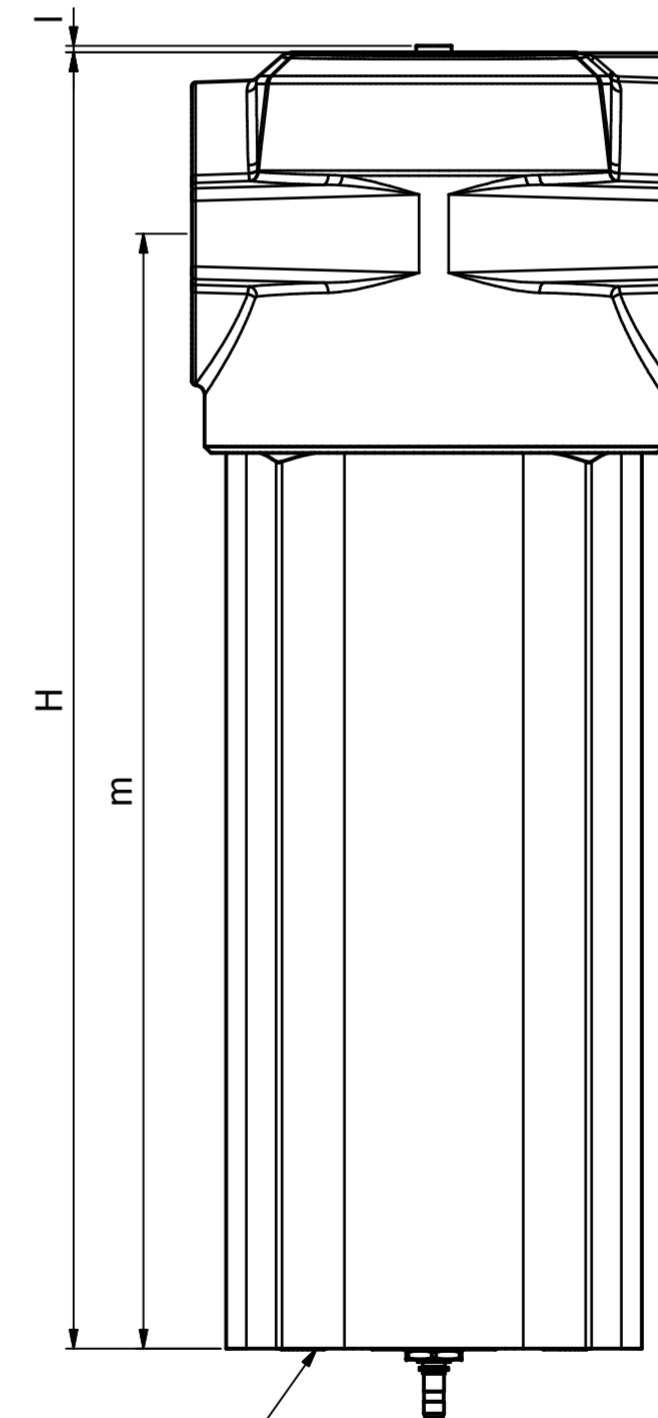
MODEL	HEIGHT (H)		WIDTH (W)		DEPTH (D)		WEIGHT		a		b		c		d		e	f		g		i		j		k		l		m	
	mm	ins	mm	ins	mm	ins	kg	lbs	mm	ins	mm	ins	mm	ins	mm	ins	ins	mm	ins	mm	ins	mm	ins	mm	ins	mm	ins	mm	ins		
WSP010A	180.0	7.09	76.0	2.99	65.0	2.56	0.80	1.76	210.0	8.26	-	-	42.0	1.65	6.5	0.26	1/4"	30.0	1.18	-	-	30.0	1.18	-	-	50.0	1.97	-	-	154.0	6.06
WSP010B	180.0	7.09	76.0	2.99	65.0	2.56	0.79	1.75	210.0	8.26	-	-	42.0	1.65	6.5	0.26	3/8"	30.0	1.18	-	-	30.0	1.18	-	-	50.0	1.97	-	-	154.0	6.06
WSP010C	180.0	7.09	76.0	2.99	65.0	2.56	0.78	1.72	210.0	8.26	-	-	42.0	1.65	6.5	0.26	1/2"	30.0	1.18	-	-	30.0	1.18	-	-	50.0	1.97	-	-	154.0	6.06
WSP015C	238.0	9.37	89.0	3.50	84.0	3.31	1.08	2.39	268.0	10.55	-	-	62.0	2.44	9.0	0.35	1/2"	44.0	1.73	-	-	30.0	1.18	-	-	50.0	1.97	-	-	202.0	7.95
WSP020D	238.0	9.37	89.0	3.50	84.0	3.31	1.35	2.98	268.0	10.55	-	-	62.0	2.44	9.0	0.35	3/4"	44.0	1.73	-	-	30.0	1.18	-	-	50.0	1.97	-	-	202.0	7.95
WSP025D	277.0	10.91	120.0	4.72	115.0	4.53	2.64	5.83	306.0	12.04	-	-	86.0	3.39	13.0	0.51	3/4"	60.0	2.36	-	-	30.0	1.18	-	-	70.0	2.76	-	-	232.0	9.13
WSP025E	277.0	10.91	120.0	4.72	115.0	4.53	2.64	5.83	306.0	12.04	-	-	86.0	3.39	13.0	0.51	1"	60.0	2.36	-	-	30.0	1.18	-	-	70.0	2.76	-	-	232.0	9.13
WSP030G	277.0	10.91	120.0	4.72	115.0	4.53	2.54	5.61	306.0	12.04	-	-	86.0	3.39	13.0	0.51	1 1/2"	60.0	2.36	-	-	30.0	1.18	-	-	70.0	2.76	-	-	232.0	9.13
WSP035G	440.0	17.32	164.0	6.46	157.0	6.18	6.69	14.74	470.0	18.5	-	-	121.0	4.76	13.0	0.51	1 1/2"	92.0	3.62	-	-	30.0	1.18	-	-	100.0	3.94	2.5	0.10	383.0	15.08
WSP040H	440.0	17.32	164.0	6.46	157.0	6.18	6.46	14.23	470.0	18.5	-	-	121.0	4.76	13.0	0.51	2"	92.0	3.62	-	-	30.0	1.18	-	-	100.0	3.94	2.5	0.10	383.0	15.08
WSP045I	440.0	17.32	164.0	6.46	157.0	6.18	6.28	13.85	470.0	18.5	-	-	121.0	4.76	13.0	0.51	2 1/2"	92.0	3.62	-	-	30.0	1.18	-	-	100.0	3.94	2.5	0.10	383.0	15.08
WSP050I	516.0	20.31	192.0	7.56	183.0	7.20	10.80	23.81	548.0	21.57	-	-	140.0	5.51	13.0	0.51	2 1/2"	103.0	4.06	-	-	32.0	1.25	-	-	120.0	4.72	2.5	0.10	444.0	17.48
WSP055J	516.0	20.31	192.0	7.56	183.0	7.20	10.83	23.89	548.0	21.57	-	-	140.0	5.51	13.0	0.51	3"	103.0	4.06	-	-	32.0	1.25	-	-	120.0	4.72	2.5	0.10	444.0	17.48



REPRESENTATIVE BOWL FOR 010-045



REPRESENTATIVE BOWL FOR 050-055



ECO No. 0302889 REV E

PLEASE CONSIDER THE ENVIRONMENT PRIOR TO PRINTING THIS DRAWING

DO NOT SCALE - IF IN DOUBT ASK

BASED ON BS 8888 DIMENSIONS IN MILLIMETRES

GENERAL TOLERANCES UNLESS OTHERWISE STATED

MACHINED DIMENSIONS
 .XX ±0.13 UP TO 300 ±0.3
 .X ±0.25 OVER 300 TO 600 ±0.5

POSITIONAL TOLERANCE
 PLAIN HOLES Ø0.13
 TAPPED HOLES Ø0.26
 CONCENTRICITY TOLERANCE 0.13 TIR

MACHINED SURFACES INDICATED THUS
 SURFACE TEXTURE TO BS 1134
 VALUES IN MICROMETRES

ANGLES ±1/2° (EXCEPT CHAMFERS)

METRIC THREADS TO BS 3643 MED. CLASS
 EXTERNAL 6g INTERNAL 6h
 PIPE THREADS
 PRESSURE TIGHT TO BS 21

SHEET METALWORK & FABRICATIONS
 SHEET METALWORK DIMENSIONS
 UP TO 500 ±0.5
 OVER 500 TO 1000 ±1.0
 OVER 1000 ±1.5

FABRICATED PARTS DIMENSIONS
 UP TO 500 ±2
 OVER 500 TO 1000 ±4
 OVER 1000 ±6

POSITIONAL TOLERANCE FOR PLAIN & TAPPED HOLES
 UP TO 500 Ø1.0
 OVER 500 Ø2.0

Parker | **domnick hunter**

Parker Hannifin Manufacturing Ltd
 domnick hunter Filtration & Separation Division
 Dukesway, Team Valley
 Gateshead, Tyne & Wear
 England, NE11 0PZ
 TEL +44 (0)191 402 9000
 FAX +44 (0)191 482 6296
 www.parker.com/dhfn

THIS DOCUMENT IS COPYRIGHT AND IS THE PROPERTY OF PARKER HANNIFIN LTD. IT MUST NOT BE COPIED IN WHOLE OR PART, USED FOR MANUFACTURE OF, OR OTHERWISE DISCLOSED WITHOUT PRIOR WRITTEN CONSENT OF THE COMPANY

© 2016 **A2**

MATERIAL	SCALE		DRAWN	CHECKED	APPROVED	TITLE	
GEN.ARRGT	1:2		NAME	RD	DT	DM	OIL-X WS P010 - P055 DIMS
			DATE	25/07/2017	25/07/2017	25/07/2017	

DRG No.	SHEET
101-10598	1 / 1