




## PNEUDRI MXS, MXA, MXP, MXP ATEX MX102 - MX110

Parts Manual

 Original Language

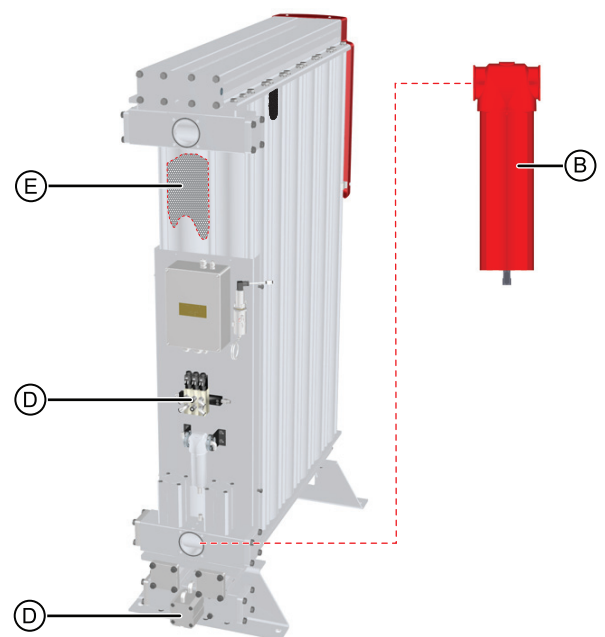
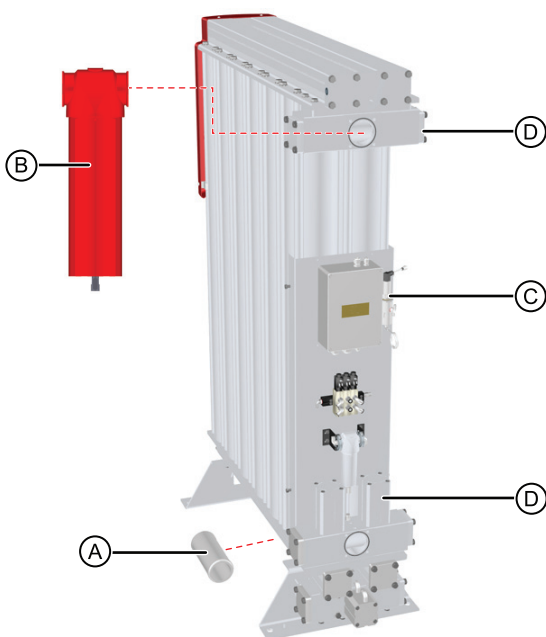
aerospace  
climate control  
electromechanical  
**filtration**  
fluid & gas handling  
hydraulics  
pneumatics  
process control  
sealing & shielding

# Service intervals

Description of Service Required		Service recommended every:					
Component	Operation	Day	Week	3-month	6-month	12-month	36-month
Dryer	Check POWER ON indicator is illuminated.	☞					
Dryer	Check STATUS / FAULT indicators located on the controller.	☞					
Dryer	Check for air leaks.		☞				
Dryer	Check the pressure gauges during purging for excessive back pressure.			☞			
Dryer	Check the condition of electrical supply cables and conduits.			☞			
Dryer	Check for cyclic operation.				☞		
Dryer	Replace the active exhaust silencers <b>Recommended Service A</b>					🔧	
Filtration	Replace the inlet, outlet and control air filters, and service drains. <b>Recommended Service B</b>					🔧	
Dryer	Replace / Calibrate dewpoint transmitter (DDS Units only). <b>Recommended Service C</b>					🔧	
Dryer	Replace the valve seats and seals. <b>Recommended Service D</b>						🔧
Dryer	Replace the Desiccant. <b>Recommended Service E</b>						🔧

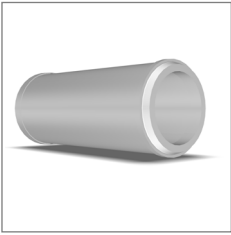
**Key:**

☞	Check	🔧	Replace
---	-------	---	---------



# Preventative Maintenance Kits

## Recommended Service A - Required every 12 months



Description	Catalogue Number	Technical Reference	Contents
Kit: Silencer Element	608620090	608620090	Silencer element

*Note. The number of kits required is dependent upon the model of dryer as illustrated below.*

Description	MX102c	MX103c	MX103	MX104	MX105	MX106	MX107	MX108	MX109	MX110
Kit: Silencer Element	1	1	1	2	2	2	3	3	3	3

## Recommended Service B - Required every 12 months



Current Parker domnick hunter Filter Service Kits to be supplied as standard. Please check the filter housing model numbers for correct element suitability.

## Recommended Service C - Required every 12 months



Description	Catalogue Number	Technical Reference	Contents
Kit: Service Exchange Hygrometer	608203580	608203580	Service Exchange transmitter Fixed orifice o-ring

*Note. One kit required for each dryer bank with dewpoint transmitter.*

## Recommended Service D - Required every 36 months

Description	Catalogue Number	Technical Reference	Contents
Kit: Valve Overhaul Kit <9 barg MXA/MXS	608620091	608620091	Inlet Valve Kit (Catalogue No.608620093)
			Outlet Valve Kit (Catalogue No.608620094)
			Exhaust Valve Kit (Catalogue No.608620095)
			Control Valve Kit MXA/MXS (Catalogue No.608620096)

Description	Catalogue Number	Technical Reference	Contents
Kit: Valve Overhaul Kit >9 barg MXA/MXS	608620092	608620092	Inlet Valve Kit (Catalogue No.608620093)
			Outlet Valve Kit (Catalogue No.608620094)
			Exhaust Valve Kit (Catalogue No.608620095)
			Control Valve Kit MXA/MXS (Catalogue No.608620096)
			Repressurisation Valve Kit (Catalogue No.608620097)

Description	Catalogue Number	Technical Reference	Contents
Kit: Valve Overhaul Kit <9 bar MXP	608620121	608620121	Inlet Valve Kit (Catalogue No.608620093)
			Outlet Valve Kit (Catalogue No.608620094)
			Exhaust Valve Kit (Catalogue No.608620095)
			Control Valve Kit MXP (Catalogue No.608620111)

Description	Catalogue Number	Technical Reference	Contents
Kit: Valve Overhaul Kit >9 bar MXP	608620122	608620122	Inlet Valve Kit (Catalogue No.608620093)
			Outlet Valve Kit (Catalogue No.608620094)
			Exhaust Valve Kit (Catalogue No.608620095)
			Control Valve Kit MXP (Catalogue No.608620096)
			Repressurisation Valve Kit (Catalogue No.608620097)

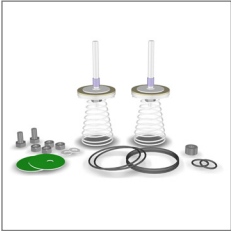
*Note. One overhaul kit is required for each dryer bank.*

**Inlet Valve Kit**



Description	Catalogue Number	Technical Reference	Contents
Kit: Inlet Valve	608620093	608620093	Cylinder valves Associated o-rings Fixing screws

**Outlet Valve Kit**



Description	Catalogue Number	Technical Reference	Contents
Kit: Outlet Valve	608620094	608620094	Valve spring assemblies Associated o-rings Fixing nuts and bolts

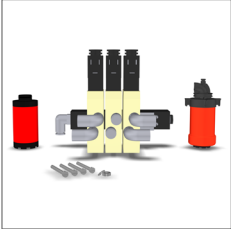
*The early dryers (serial number up to MX0806015) will require an upgrade using the outlet valve overhaul kit (Catalogue Number 608620209). Once upgraded the outlet valve kit listed above will be suitable for use on the next service.*

**Exhaust Valve Kit**



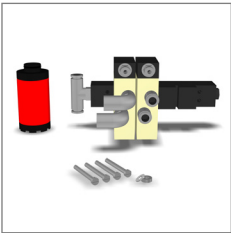
Description	Catalogue Number	Technical Reference	Contents
Kit: Exhaust Valve	608620095	608620095	Cylinder valve Elbow fittings Associated o-rings Fixing screws

**Control Valve Kit (MXA/MXS)**



Description	Catalogue Number	Technical Reference	Contents
Kit: Control Valve (MXA/MXS)	608620096	608620096	3-Bank solenoid valve 010AA filter element E009AA filter element Fixing screws

**Control Valve Kit (MXP)**



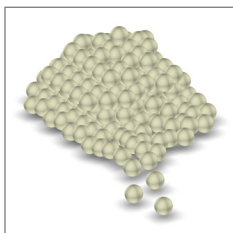
Description	Catalogue Number	Technical Reference	Contents
Kit: Control Valve MXP (Pneumatic)	608620111	608620111	2-Bank solenoid valve E009AA filter element Fixing screws

**Repressurisation Valve Kit (MXA/MXS)**



Description	Catalogue Number	Technical Reference	Contents
Kit: Repressurisation Valve	608620097	608620097	Cylinder valve Associated o-rings Fixing screws

**Recommended Service E - Required every 36 months**



Description	Catalogue Number	Technical Reference	Contents
Kit: Desiccant AA	608203661	608203661	11 Litre Container of AA
Kit: Desiccant MS	608203662	608203662	11 Litre Container of MS
Kit: Desiccant WS	608203663	608203663	11 Litre Container of WS

*Note. The quantity of desiccant material required is dependent upon the model of dryer and the specified dewpoint as illustrated below. Ensure that the dryer is filled using a Snowstorm filler and replace the column seals.*

**Desiccant Quantities**



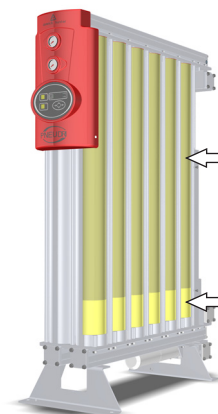
←100% AA

-20°C PDP



←10% MS  
←90% AA

-40°C PDP



←80% MS  
←20% WS

-70°C PDP

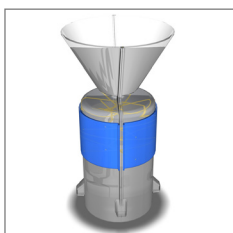
Description	MX102c		MX103c			MX103			MX104			MX105			MX106			MX107			MX108			MX109	MX110	
	-20	-40	-70	-20	-40	-70	-20	-40	-70	-20	-40	-70	-20	-40	-70	-20	-40	-70	-20	-40	-70	-20	-40	-70	-70	
Kit: Desiccant AA (11.2 Ltr)	9	8		13	12		16	14		21	19		26	24		31	28		36	33		41	37			
Kit: Desiccant MS (11.2 Ltr)		1	7		2	11		2	13		3	17		3	21		4	25		4	29		6	33	37	42
Kit: Desiccant WS (11.2 Ltr)			2			3				4		5			6		7		8				9	10	11	

**Column Seal Kits Snowstorm Filler**



Description	Catalogue Number	Technical Reference	Contents
Kit: Column Seals MX	608620098	608620098	Column o-rings Outlet plate o-ring

*Note. One kit is required for each dryer.*



Description	Catalogue Number	Technical Reference	Contents
Snowstorm Filler	608201051	608201051	Jumbo Snowstorm Filler

## ELEMENTS

Parker filters are designed to produce clean compressed air, gas and liquid to the highest industry standards. To maintain impeccable results, Elements within the filter must be replaced annually.

Choosing the Parker brand means you can be assured that Elements are readily available, affordable and the most energy efficient product of its kind on the market. The elements are also supplied in 100% recyclable packaging. An additional advantage of purchasing Parker Elements is that you will reduce your company's carbon footprint by 190kg. This is the equivalent of a 700 mile flight from Edinburgh to Berlin!

Parker Filter Elements also prove to be highly efficient when used in any leading competitor's filters.

## SPECIALISED SERVICES

Parker Specialist Service Engineers test on-site efficiency measuring many variables including airflow, pressure, temperature, dewpoint and power consumption.

Our team of highly trained experts are the best in the industry. They take into account a range of environmental factors that could affect your system's performance. The results from this Specialist Service are extremely accurate and produce invaluable information.

Importantly, Parker informed recommendations lead to significant savings for our customers, which mean they return time and time again for our advice and products.

## SUPPORT SERVICES

Parker Support Services are the first port of call for customers in need of help or guidance.

The fact that this team is responsible for the production of User Guides and Manuals gives you an insight into the level and detail of their parts and product knowledge.

Over-the-phone support is just one way in which Parker's extremely knowledgeable team, quickly reduces downtime or resolves product queries.

On some occasions engineers need to be on site to carry out a repair. In these cases, the local engineer will be quickly dispatched to ensure our customers can return to production as soon as possible.

One-to-one training can also be provided by our Support Services team. This has enabled hundreds of Parker distributors to gain an in-depth understanding. Training will also ensure distributors can make timely repairs and easily maintain their customers' products.

## PARTS

Parker Kits make everyday maintenance easy. They are available for all of our products and are simply value-for money. The Parts within the kits support our customers' varied maintenance, repair and overhaul activities.

Additionally, Preventative Maintenance Kits can be purchased for dryers and gas generators. These kits mean our customers dryer's and generator's can be serviced easily to ensure optimum performance.

An extensive range of durable Parker Parts can be obtained within 24 hours to any European, Middle East or African destination.

## M.R.O

Maintenance Repair & Overhaul - Parker Technicians are the industry's finest. Their skills and qualifications are annually approved to keep their product and legislation knowledge fresh and expertise relevant.

With this in mind, Parker offers onsite and on demand servicing to meet customers' unique requirements in a timely and efficient manner.

Parker MRO service ranges from a basic maintenance check covered under product warranty right through to a comprehensive programme, which even puts the onsite application under the microscope.

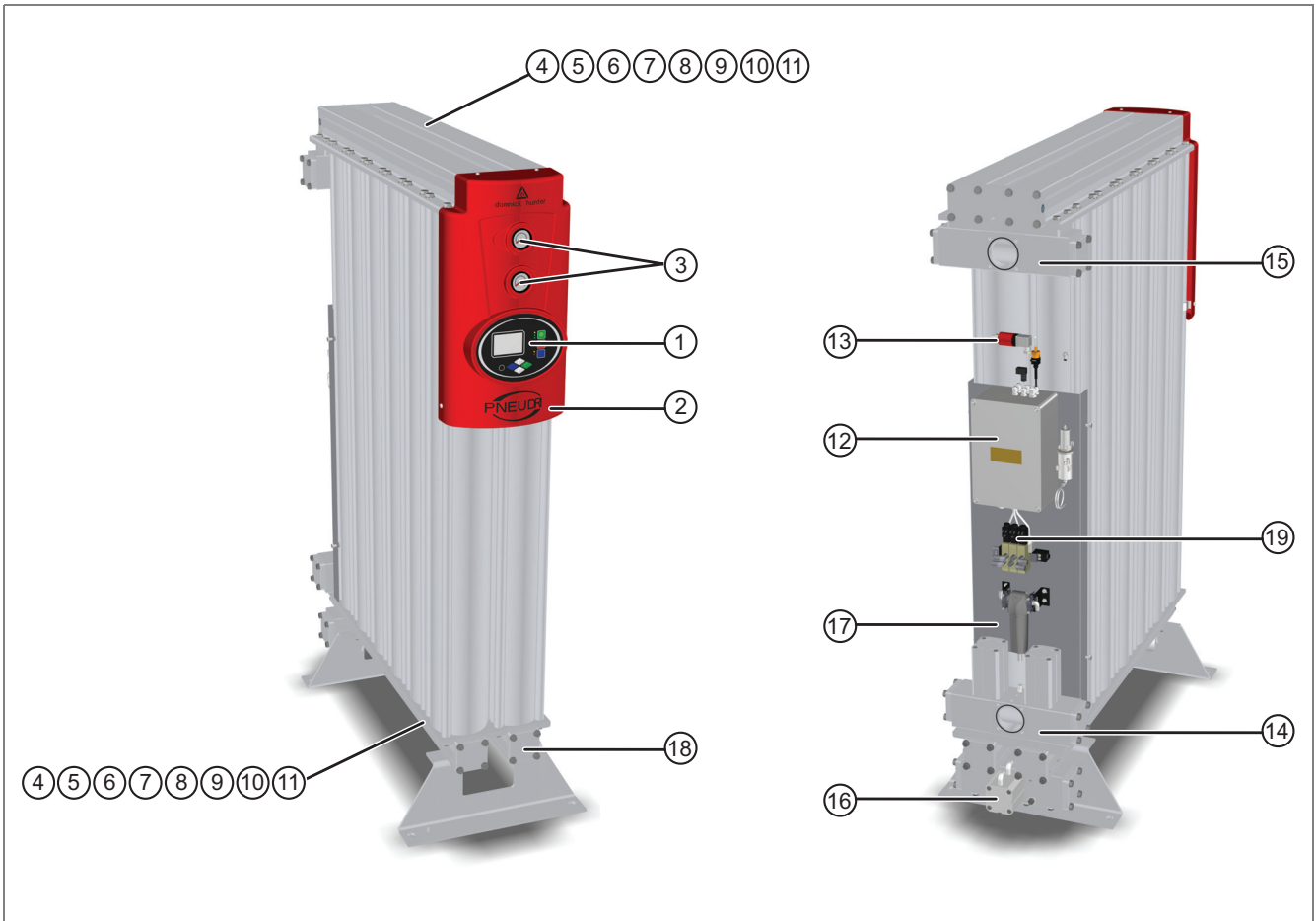
With customers at the heart of everything Parker does, the MRO service is no exception to this.

Parker Filter Elements also prove to be highly efficient when used in any leading competitor's filters.



# Repair Kits

## MXA

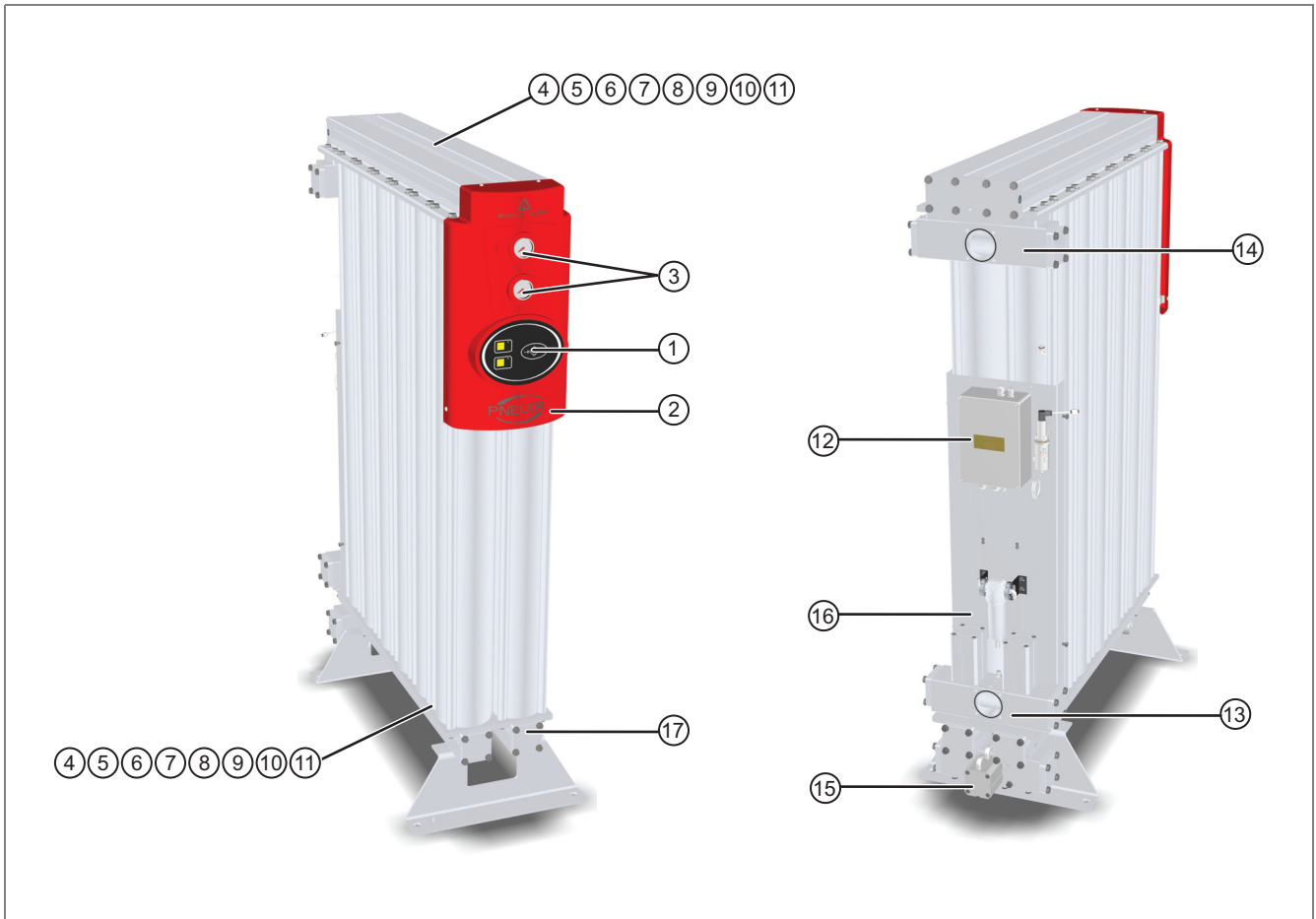


Ref.	Kit Number	Description	Kit Contents
1	608620101	MXA Electronic Facia	Includes fittings
2	608620110	Facia	Includes decals
3	608203613	Pressure Gauges	G1/8 4mm Adaptor
4	608620218	MX103 Manifolds	Inlet, Outlet and Seals
5	608620219	MX104 Manifolds	Inlet, Outlet and Seals
6	608620220	MX105 Manifolds	Inlet, Outlet and Seals
7	608620221	MX106 Manifolds	Inlet, Outlet and Seals
8	608620222	MX107 Manifolds	Inlet, Outlet and Seals
9	608622015	MX108 Manifolds	Inlet, Outlet and Seals
10	608620225	MX109 Manifolds	Inlet, Outlet and Seals
11	608620226	MX110 Manifolds	Inlet, Outlet and Seals
12	608204099	MXA Controller Assembly	N/A
13	608203615	Pressure Sensor	Cable Tie
14	608620215	Inlet Valve Block Assembly	Includes Fittings and Seals
15	608620216	Outlet Valve Block Assembly	Includes Fittings and Seals
16	608620217	Exhaust Valve Block Assembly	Includes Fittings and Seals
17	608622021	MX Rear Mounting Plate	N/A
18	608620207	MX Rear Block Endplates	N/A
19	608620096	3 Bank Control Valves	N/A

**Miscellaneous Kits**

<b>Kit Number</b>	<b>Description</b>	<b>Kit Contents</b>
608210038	8mm Black Nylon Tubing	N/A
608210044	8mm Yellow Nylon Tubing	N/A
608210045	8mm Green Nylon Tubing	N/A
608210046	8mm Blue Nylon Tubing	N/A
608210047	8mm Red Nylon Tubing	N/A
608622018	MX Cables	N/A
608203892	T3.15A Anti Surge Fuse	N/A
608620141	Purge Reconfiguration MX102c	Includes Fittings
608620142	Purge Reconfiguration MX103c	Includes Fittings
608620143	Purge Reconfiguration MX103	Includes Fittings
608620144	Purge Reconfiguration MX104	Includes Fittings
608620145	Purge Reconfiguration MX105	Includes Fittings
608620146	Purge Reconfiguration MX106	Includes Fittings
608620147	Purge Reconfiguration MX107	Includes Fittings
608620148	Purge Reconfiguration MX108	Includes Fittings
608620149	Purge Reconfiguration MX109	Includes Fittings
608620150	Purge Reconfiguration MX110	Includes Fittings

# MXS

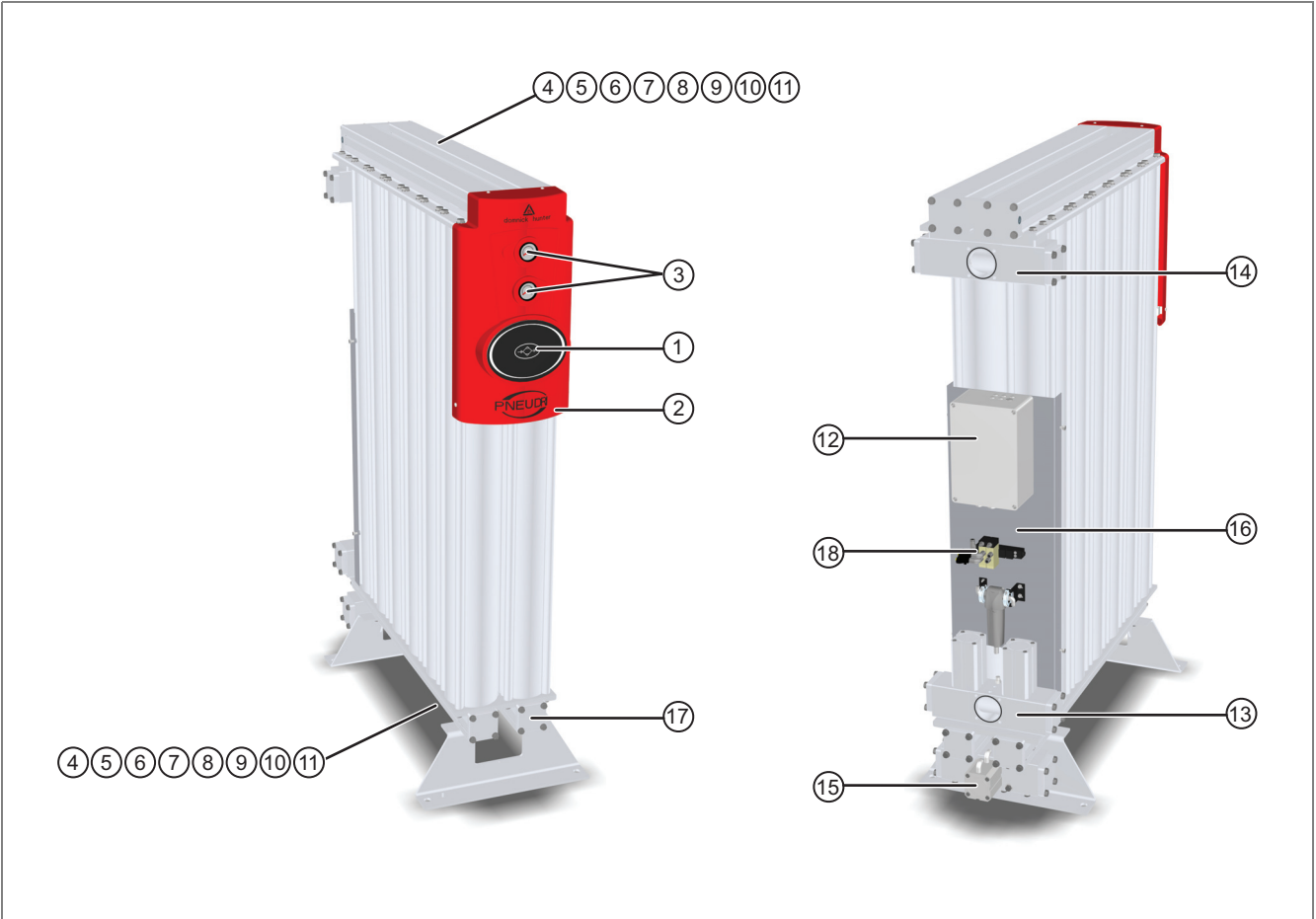


Ref.	Kit Number	Description	Kit Contents
1	608620099	MXS Electronic Facia	Includes fittings
2	608620110	Facia	Includes decals
3	608203613	Pressure Gauges	G1/8 4mm Adaptor
4	608620218	MX103 Manifolds	Inlet, Outlet and Seals
5	608620219	MX104 Manifolds	Inlet, Outlet and Seals
6	608620220	MX105 Manifolds	Inlet, Outlet and Seals
7	608620221	MX106 Manifolds	Inlet, Outlet and Seals
8	608620222	MX107 Manifolds	Inlet, Outlet and Seals
9	608622015	MX108 Manifolds	Inlet, Outlet and Seals
10	608620225	MX109 Manifolds	Inlet, Outlet and Seals
11	608620226	MX110 Manifolds	Inlet, Outlet and Seals
12	608620211	MXS Controller Assembly	N/A
13	608620215	Inlet Valve Block Assembly	Includes Fittings and Seals
14	608620216	Outlet Valve Block Assembly	Includes Fittings and Seals
15	608620217	Exhaust Valve Block Assembly	Includes Fittings and Seals
16	608622021	MX Rear Mounting Plate	N/A
17	608620207	MX Rear Block Endplates	N/A

**Miscellaneous Kits**

<b>Kit Number</b>	<b>Description</b>	<b>Kit Contents</b>
608210038	8mm Black Nylon Tubing	N/A
608210044	8mm Yellow Nylon Tubing	N/A
608210045	8mm Green Nylon Tubing	N/A
608210046	8mm Blue Nylon Tubing	N/A
608210047	8mm Red Nylon Tubing	N/A
608622018	MX Cables	N/A
608203892	T3.15A Anti Surge Fuse	N/A
608620141	Purge Reconfiguration MX102c	Includes Fittings
608620142	Purge Reconfiguration MX103c	Includes Fittings
608620143	Purge Reconfiguration MX103	Includes Fittings
608620144	Purge Reconfiguration MX104	Includes Fittings
608620145	Purge Reconfiguration MX105	Includes Fittings
608620146	Purge Reconfiguration MX106	Includes Fittings
608620147	Purge Reconfiguration MX107	Includes Fittings
608620148	Purge Reconfiguration MX108	Includes Fittings
608620149	Purge Reconfiguration MX109	Includes Fittings
608620150	Purge Reconfiguration MX110	Includes Fittings

# MXP

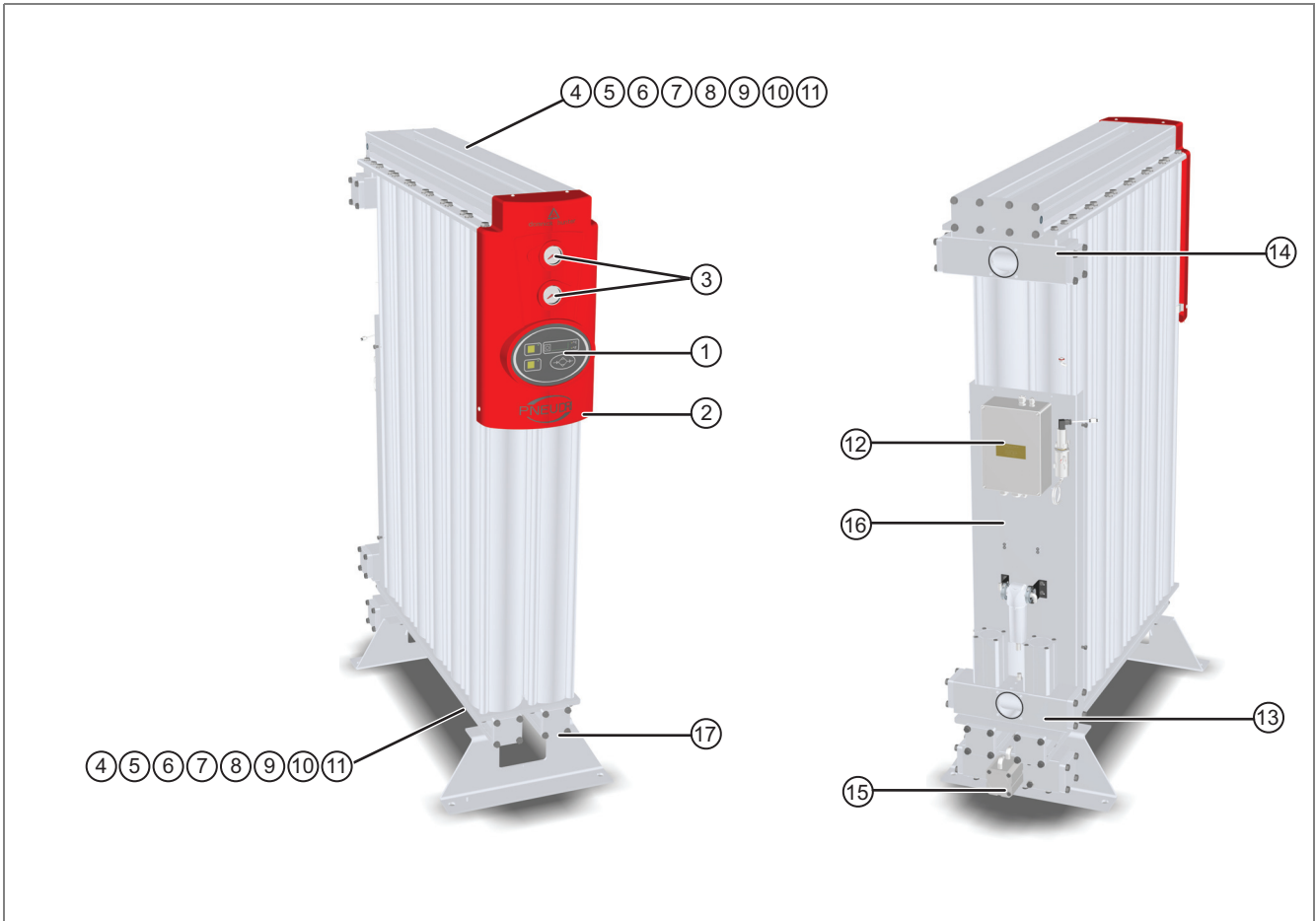


Ref.	Kit Number	Description	Kit Contents
1	608205000	MXP Facia	Includes fittings
2	608620110	Facia	Includes decals
3	608203613	Pressure Gauges	G1/8 4mm Adaptor
4	608620218	MX103 Manifolds	Inlet, Outlet and Seals
5	608620219	MX104 Manifolds	Inlet, Outlet and Seals
6	608620220	MX105 Manifolds	Inlet, Outlet and Seals
7	608620221	MX106 Manifolds	Inlet, Outlet and Seals
8	608620222	MX107 Manifolds	Inlet, Outlet and Seals
9	608622015	MX108 Manifolds	Inlet, Outlet and Seals
10	608620225	MX109 Manifolds	Inlet, Outlet and Seals
11	608620226	MX110 Manifolds	Inlet, Outlet and Seals
12	608620152	MXP Control Box and Valves	Includes Valves, Cam timer, Fittings and Tubing
13	608620215	Inlet Valve Block Assembly	Includes Fittings and Seals
14	608620216	Outlet Valve Block Assembly	Includes Fittings and Seals
15	608620217	Exhaust Valve Block Assembly	Includes Fittings and Seals
16	608622021	MX Rear Mounting Plate	N/A
17	608620207	MX Rear Block Endplates	N/A
18	608620111	Pneumatic Control Valve	Includes Fittings

**Miscellaneous Kits**

<b>Kit Number</b>	<b>Description</b>	<b>Kit Contents</b>
608210038	8mm Black Nylon Tubing	N/A
608210044	8mm Yellow Nylon Tubing	N/A
608210045	8mm Green Nylon Tubing	N/A
608210046	8mm Blue Nylon Tubing	N/A
608210047	8mm Red Nylon Tubing	N/A
608622018	MX Cables	N/A
608620141	Purge Reconfiguration MX102c	Includes Fittings
608620142	Purge Reconfiguration MX103c	Includes Fittings
608620143	Purge Reconfiguration MX103	Includes Fittings
608620144	Purge Reconfiguration MX104	Includes Fittings
608620145	Purge Reconfiguration MX105	Includes Fittings
608620146	Purge Reconfiguration MX106	Includes Fittings
608620147	Purge Reconfiguration MX107	Includes Fittings
608620148	Purge Reconfiguration MX108	Includes Fittings
608620149	Purge Reconfiguration MX109	Includes Fittings
608620150	Purge Reconfiguration MX110	Includes Fittings

# MXS DS

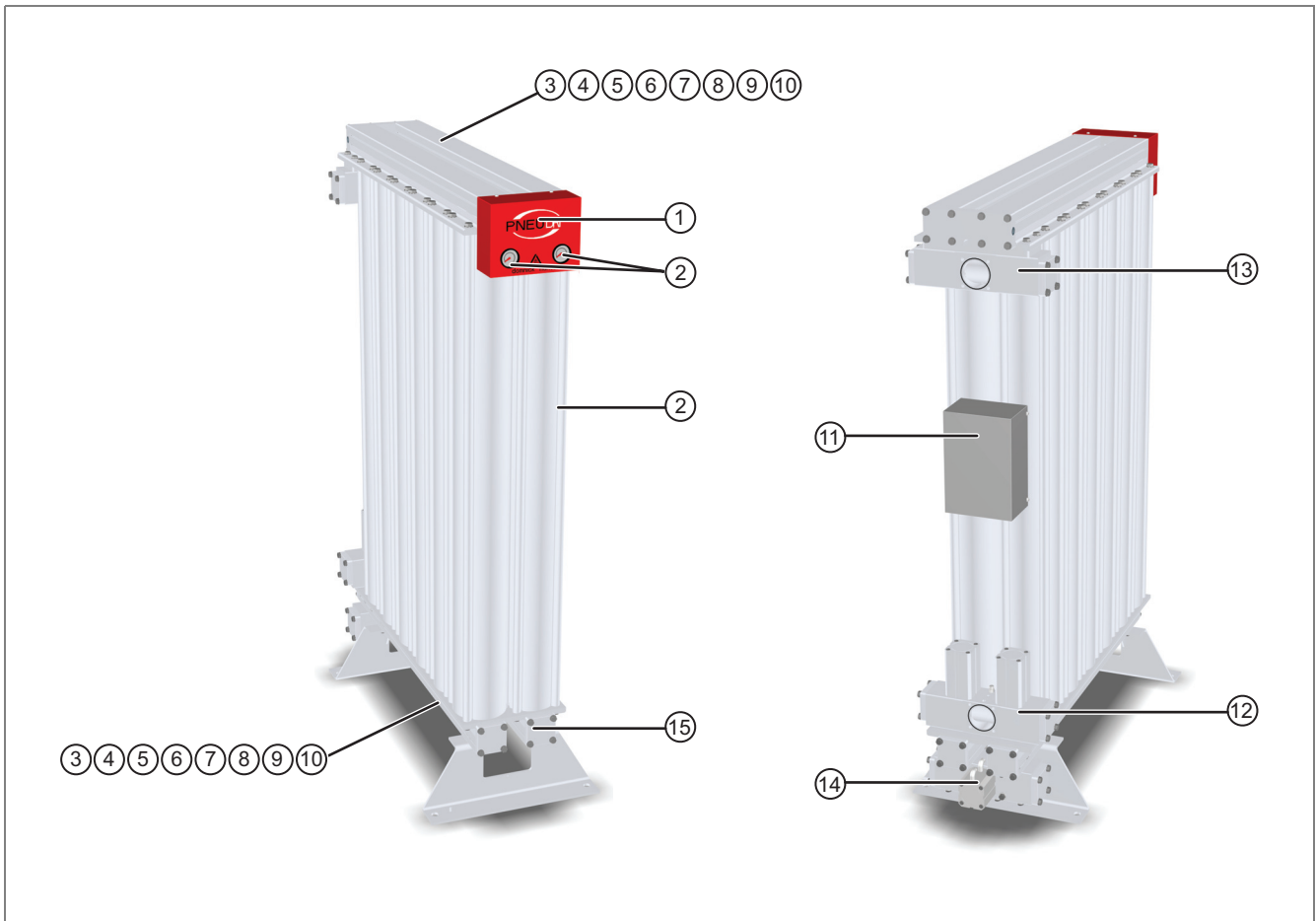


Ref.	Kit Number	Description	Kit Contents
1	608620100	MXS DS Electronic Facia	Includes fittings
2	608620110	Facia	Includes decals
3	608203613	Pressure Gauges	G1/8 4mm Adaptor
4	608620218	MX103 Manifolds	Inlet, Outlet and Seals
5	608620219	MX104 Manifolds	Inlet, Outlet and Seals
6	608620220	MX105 Manifolds	Inlet, Outlet and Seals
7	608620221	MX106 Manifolds	Inlet, Outlet and Seals
8	608620222	MX107 Manifolds	Inlet, Outlet and Seals
9	608622015	MX108 Manifolds	Inlet, Outlet and Seals
10	608620225	MX109 Manifolds	Inlet, Outlet and Seals
11	608620226	MX110 Manifolds	Inlet, Outlet and Seals
12	608620211	MXS Controller Assembly	N/A
13	608620215	Inlet Valve Block Assembly	Includes Fittings and Seals
14	608620216	Outlet Valve Block Assembly	Includes Fittings and Seals
15	608620217	Exhaust Valve Block Assembly	Includes Fittings and Seals
16	608622021	MX Rear Mounting Plate	N/A
17	608620207	MX Rear Block Endplates	N/A

**Miscellaneous Kits**

<b>Kit Number</b>	<b>Description</b>	<b>Kit Contents</b>
608210038	8mm Black Nylon Tubing	N/A
608210044	8mm Yellow Nylon Tubing	N/A
608210045	8mm Green Nylon Tubing	N/A
608210046	8mm Blue Nylon Tubing	N/A
608210047	8mm Red Nylon Tubing	N/A
608622018	MX Cables	N/A
608203892	T3.15A Anti Surge Fuse	N/A
608620141	Purge Reconfiguration MX102c	Includes Fittings
608620142	Purge Reconfiguration MX103c	Includes Fittings
608620143	Purge Reconfiguration MX103	Includes Fittings
608620144	Purge Reconfiguration MX104	Includes Fittings
608620145	Purge Reconfiguration MX105	Includes Fittings
608620146	Purge Reconfiguration MX106	Includes Fittings
608620147	Purge Reconfiguration MX107	Includes Fittings
608620148	Purge Reconfiguration MX108	Includes Fittings
608620149	Purge Reconfiguration MX109	Includes Fittings
608620150	Purge Reconfiguration MX110	Includes Fittings

# MXP ATEX



Ref.	Kit Number	Description	Kit Contents
1	608622026	MX ATEX Facia Assembly	Includes fittings
2	608203613	Pressure Gauges	G1/8 4mm Adaptor
3	608620218	MX103 Manifolds	Inlet, Outlet and Seals
4	608620219	MX104 Manifolds	Inlet, Outlet and Seals
5	608620220	MX105 Manifolds	Inlet, Outlet and Seals
6	608620221	MX106 Manifolds	Inlet, Outlet and Seals
7	608620222	MX107 Manifolds	Inlet, Outlet and Seals
8	608622015	MX108 Manifolds	Inlet, Outlet and Seals
9	608620225	MX109 Manifolds	Inlet, Outlet and Seals
10	608620226	MX110 Manifolds	Inlet, Outlet and Seals
11	608622027	MX ATEX Control Box Assembly	Includes Valves, Cam timer, Fittings and Tubing
12	608620215	Inlet Valve Block Assembly	Includes Fittings and Seals
13	608620216	Outlet Valve Block Assembly	Includes Fittings and Seals
14	608620217	Exhaust Valve Block Assembly	Includes Fittings and Seals
15	608620207	MX Rear Block Endplates	N/A

**Miscellaneous Kits**

<b>Kit Number</b>	<b>Description</b>	<b>Kit Contents</b>
608210038	8mm Black Nylon Tubing	N/A
608210044	8mm Yellow Nylon Tubing	N/A
608210045	8mm Green Nylon Tubing	N/A
608210046	8mm Blue Nylon Tubing	N/A
608210047	8mm Red Nylon Tubing	N/A
608622018	MX Cables	N/A
608620141	Purge Reconfiguration MX102c	Includes Fittings
608620142	Purge Reconfiguration MX103c	Includes Fittings
608620143	Purge Reconfiguration MX103	Includes Fittings
608620144	Purge Reconfiguration MX104	Includes Fittings
608620145	Purge Reconfiguration MX105	Includes Fittings
608620146	Purge Reconfiguration MX106	Includes Fittings
608620147	Purge Reconfiguration MX107	Includes Fittings
608620148	Purge Reconfiguration MX108	Includes Fittings
608620149	Purge Reconfiguration MX109	Includes Fittings
608620150	Purge Reconfiguration MX110	Includes Fittings

# Parker Worldwide

## Europe, Middle East, Africa

### **AE – United Arab Emirates,** Dubai

Tel: +971 4 8127100  
parker.me@parker.com

### **AT – Austria,** Wiener Neustadt

Tel: +43 (0)2622 23501-0  
parker.austria@parker.com

### **AT – Eastern Europe,** Wiener Neustadt

Tel: +43 (0)2622 23501 900  
parker.easteurope@parker.com

### **AZ – Azerbaijan,** Baku

Tel: +994 50 2233 458  
parker.azerbaijan@parker.com

### **BE/LU – Belgium,** Nivelles

Tel: +32 (0)67 280 900  
parker.belgium@parker.com

### **BY – Belarus,** Minsk

Tel: +375 17 209 9399  
parker.belarus@parker.com

### **CH – Switzerland,** Etoy

Tel: +41 (0)21 821 87 00  
parker.switzerland@parker.com

### **CZ – Czech Republic,** Klecany

Tel: +420 284 083 111  
parker.czechrepublic@parker.com

### **DE – Germany,** Kaarst

Tel: +49 (0)2131 4016 0  
parker.germany@parker.com

### **DK – Denmark,** Ballerup

Tel: +45 43 56 04 00  
parker.denmark@parker.com

### **ES – Spain,** Madrid

Tel: +34 902 330 001  
parker.spain@parker.com

### **FI – Finland,** Vantaa

Tel: +358 (0)20 753 2500  
parker.finland@parker.com

### **FR – France,** Contamine s/Arve

Tel: +33 (0)4 50 25 80 25  
parker.france@parker.com

### **GR – Greece,** Athens

Tel: +30 210 933 6450  
parker.greece@parker.com

### **HU – Hungary,** Budapest

Tel: +36 1 220 4155  
parker.hungary@parker.com

### **IE – Ireland,** Dublin

Tel: +353 (0)1 466 6370  
parker.ireland@parker.com

### **IT – Italy,** Corsico (MI)

Tel: +39 02 45 19 21  
parker.italy@parker.com

### **KZ – Kazakhstan,** Almaty

Tel: +7 7272 505 800  
parker.easteurope@parker.com

### **NL – The Netherlands,** Oldenzaal

Tel: +31 (0)541 585 000  
parker.nl@parker.com

### **NO – Norway,** Asker

Tel: +47 66 75 34 00  
parker.norway@parker.com

### **PL – Poland,** Warsaw

Tel: +48 (0)22 573 24 00  
parker.poland@parker.com

### **PT – Portugal,** Leca da Palmeira

Tel: +351 22 999 7360  
parker.portugal@parker.com

### **RO – Romania,** Bucharest

Tel: +40 21 252 1382  
parker.romania@parker.com

### **RU – Russia,** Moscow

Tel: +7 495 645-2156  
parker.russia@parker.com

### **SE – Sweden,** Spånga

Tel: +46 (0)8 59 79 50 00  
parker.sweden@parker.com

### **SK – Slovakia,** Banská Bystrica

Tel: +421 484 162 252  
parker.slovakia@parker.com

### **SL – Slovenia,** Novo Mesto

Tel: +386 7 337 6650  
parker.slovenia@parker.com

### **TR – Turkey,** Istanbul

Tel: +90 216 4997081  
parker.turkey@parker.com

### **UA – Ukraine,** Kiev

Tel: +380 44 494 2731  
parker.ukraine@parker.com

### **UK – United Kingdom,** Warwick

Tel: +44 (0)1926 317 878  
parker.uk@parker.com

### **ZA – South Africa,** Kempton Park

Tel: +27 (0)11 961 0700  
parker.southafrica@parker.com

## North America

### **CA – Canada,** Milton, Ontario

Tel: +1 905 693 3000

### **US – USA,** Cleveland

Tel: +1 216 896 3000

## Asia Pacific

### **AU – Australia,** Castle Hill

Tel: +61 (0)2-9634 7777

### **CN – China,** Shanghai

Tel: +86 21 2899 5000

### **HK – Hong Kong**

Tel: +852 2428 8008

### **IN – India,** Mumbai

Tel: +91 22 6513 7081-85

### **JP – Japan,** Tokyo

Tel: +81 (0)3 6408 3901

### **KR – South Korea,** Seoul

Tel: +82 2 559 0400

### **MY – Malaysia,** Shah Alam

Tel: +60 3 7849 0800

### **NZ – New Zealand,** Mt Wellington

Tel: +64 9 574 1744

### **SG – Singapore**

Tel: +65 6887 6300

### **TH – Thailand,** Bangkok

Tel: +662 186 7000-99

### **TW – Taiwan,** Taipei

Tel: +886 2 2298 8987

## South America

### **AR – Argentina,** Buenos Aires

Tel: +54 3327 44 4129

### **BR – Brazil,** Sao Jose dos Campos

Tel: +55 800 727 5374

### **CL – Chile,** Santiago

Tel: +56 2 623 1216

### **MX – Mexico,** Apodaca

Tel: +52 81 8156 6000

#### European Product Information Centre

Free phone: 00 800 27 27 5374

(from AT, BE, CH, CZ, DE, DK, EE, ES, FI,  
FR, IE, IL, IS, IT, LU, MT, NL, NO, PL, PT, RU,  
SE, SK, UK, ZA)

#### **Parker Hannifin Manufacturing Limited**

domnick hunter Filtration and Separation Division

Dukesway, Team Valley Trading Est

Gateshead, Tyne and Wear

England NE11 0PZ

Tel: +44 (0) 191 402 9000

Fax: +44 (0) 191 482 6296

www.parker.com/dhfn