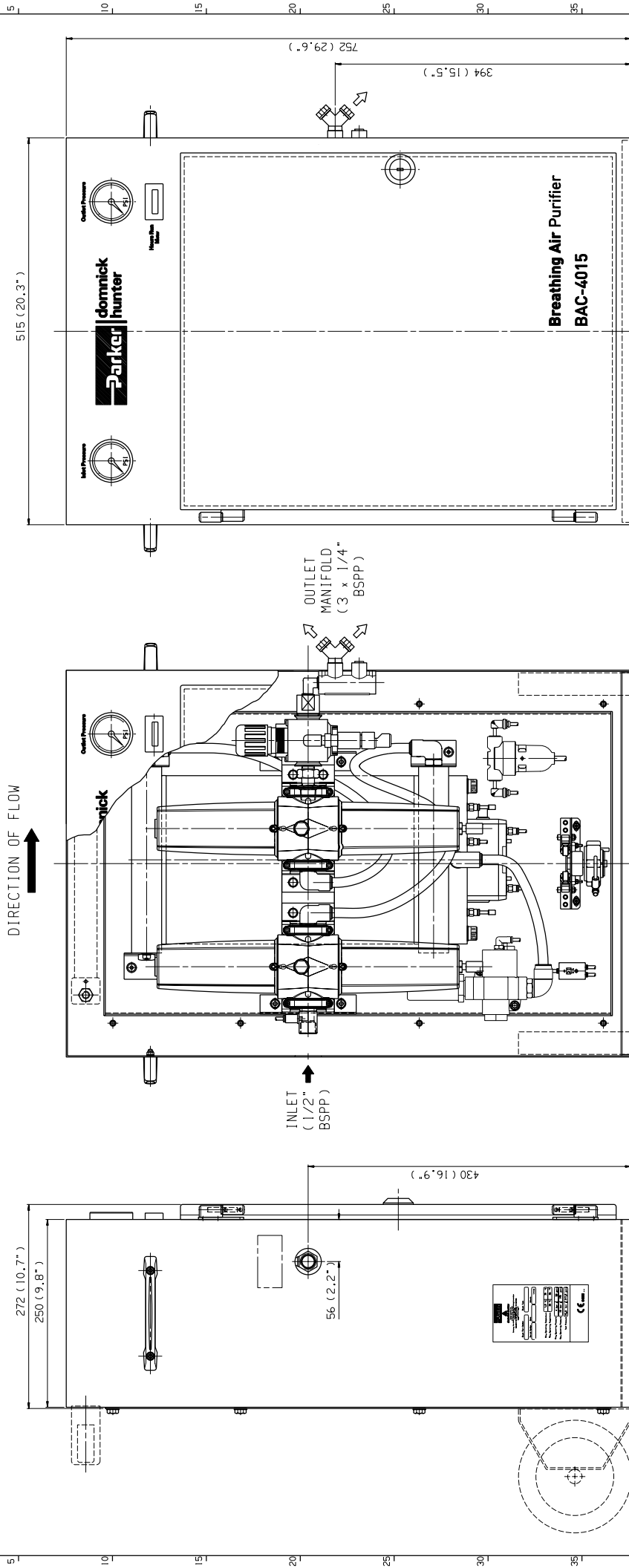


BASED ON B.S. 8888

DO NOT SCALE IF IN DOUBT ASK

DIMENSIONS IN MILLIMETRES



OPTIONAL WHEEL/HANDLE KIT
(SHOWN DOTTED)

INTERNAL LAYOUT

NOTES

- OUTLET FLOW @ 7 barg ... 91/s... (19 cfm).
- WEIGHT ... 40kg... (88.2 lbs).
- MAX. WORKING PRESSURE ... 10 barg (145 psig).
- MIN. WORKING PRESSURE ... 4 barg (58 psig).
- MAX. INLET TEMPERATURE ... 30°C... (86°F).
- MIN. INLET TEMPERATURE ... 1.5°C... (35°F).

FILTRATION

- STAGE 1 - GRADE AA
- STAGE 2 - GRADE AC
- STAGE 3 - DESICCANT DRYER
- STAGE 4 - GRADE HC
- STAGE 5 - GRADE AA

REV	DCO No.	DATE	NAME	LD
1	0042675	05Sep2013	LD	

Parker
domnick hunter

Head Office: Breathing Air Purifiers & Breathing Systems Division
 General: 011 44 (0)191 488 0000
 Fax: 011 44 (0)191 488 0000
 Email: domnick@parker.com
 www.parker.com/uk

THIS DOCUMENT IS COPYRIGHT AND IS THE PROPERTY OF PARKER HUNTER LTD. IT IS NOT TO BE REPRODUCED OR TRANSMITTED IN ANY FORM OR BY ANY MEANS, WITHOUT THE WRITTEN CONSENT OF THE COMPANY.

DRG. No	101-10325
SHEET	1 of 1

TITLE	BAC-4015 BA PURIFIER
APPROVED	05Sep2013
CHECKED	05Sep2013
DATE	05Sep2013
SCALE	1 : 1
MATERIAL GEN. ARRGT.	