



**INSTALLATION & MAINTENANCE INSTRUCTIONS
PURE2 PREMIUM PLUS**

0714

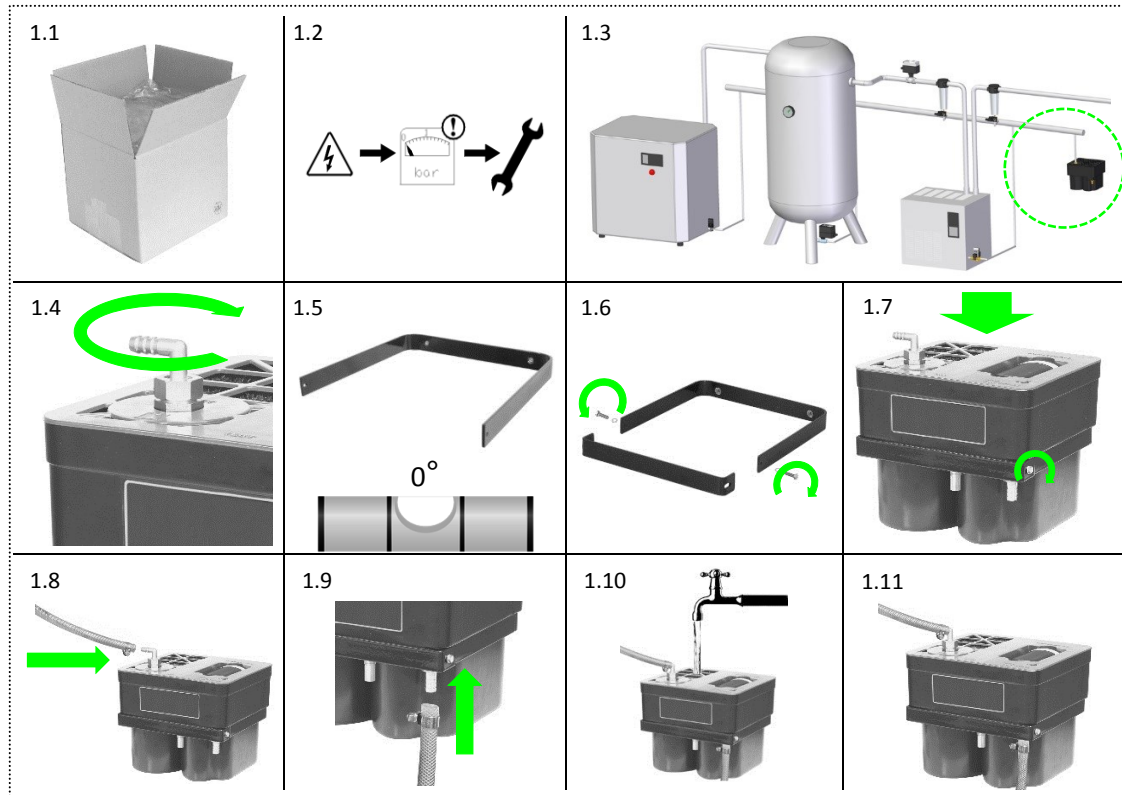
SAFETY AND PROPER USAGE

To ensure safe and enduring performance of this product, you must comply strictly with the instructions enclosed herein. Non-compliance with instructions or improper handling of the product will void your warranty! Usage of this product in conditions not specified in this manual or in contrary to the instructions hereby provided is considered IMPROPER. The manufacturer will not be held liable for any damages resulting from improper use of the product.

SAFETY & WARNING INSTRUCTIONS

- Observe valid and generally accepted safety rules when planning, installing and using this product.
- Take proper measures to prevent unintentional operation of the product or damage to it.
- Do not attempt to disassemble this product or lines in the system while they are under pressure.
- Always depressurise the compressed air system before working on the system.

It is important that personnel use safe working practices and observe all regulations and legal requirements for safety when operating this product. When handling, operating or carrying out maintenance on this product, personnel must employ safe engineering practices and observe all local health & safety requirements & regulations. International users refer to regulations that prevail within the country of installation. Most accidents, which occur during the operation and maintenance of machinery, are the result of failure to observe basic safety rules or precautions. An accident can often be avoided by recognising a situation that is potentially dangerous. Improper operation or maintenance of this product could be dangerous and result in an accident causing injury or death. The manufacturer cannot anticipate every possible circumstance, which may represent a potential hazard. The WARNINGS in this manual cover the most common potential hazards and are therefore not all-inclusive. If the user employs an operating procedure, an item of equipment or a method of working which is not specifically recommended by the manufacturer he must ensure that the product will not be damaged or made unsafe and that there is no risk to persons or property.



INSTALLATION INSTRUCTIONS

IMPORTANT NOTICE!

Before installing this product, make sure it complies with your request and that it suits your application!

1.1 Unpack the unit and visually inspect for any transport damage incurred after leaving our factory.

1.2 Depressurise the system before installation or maintenance is carried out!

1.3 Locate a suitable point in your compressor room to place your Condensate Cleaner. This point must be near a suitable sewage point. The unit is designed to easily fit against a wall or structure.

1.4 Screw the inlet nipple with rubber O-ring in to its marked location using a 22mm wrench.

Do not over tighten!

1.5 Mount the Mounting bracket (back) against a wall or other suitable structure.

Make sure the bracket is level.

1.6 After placing the Mounting bracket (back) you can place the front bracket and screws, using a 5mm wrench.

Do not tighten the screws. Make sure the front part of the bracket can be adjusted to fit the Condensate Cleaner.

1.7 Place the Condensate Cleaner and fix the bracket by tightening the screws.

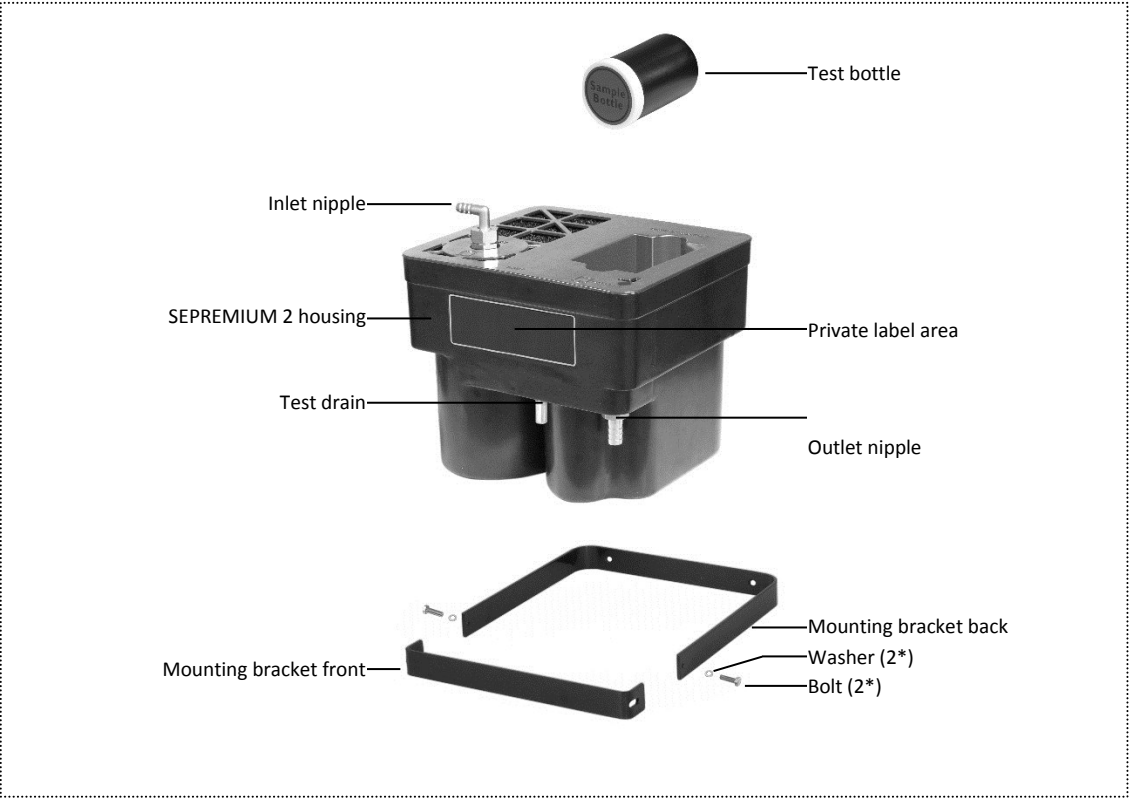
1.8 Connect the condensate collection pipe to the inlet.

1.9 Connect the outlet from the Condensate Cleaner to a suitable sewage point.

Make sure the condensate always flows down!

1.10 Fill the Condensate Cleaner with water until it is filled and water flows out of the outlet point.

1.11 Your Condensate Cleaner is ready for operation!



MAINTENANCE INSTRUCTIONS

2.1 *Depressurise the system before installation or maintenance is carried out!*

2.2 Remove the condensate supply hose from the inlet connection.

2.3 Remove the outlet hose from the outlet connection.

2.4 Unscrew the bracket screws and loosen the bracket.

2.5 Take the Condensate Cleaner out of the bracket.

2.6 Place a new Condensate Cleaner in the bracket.

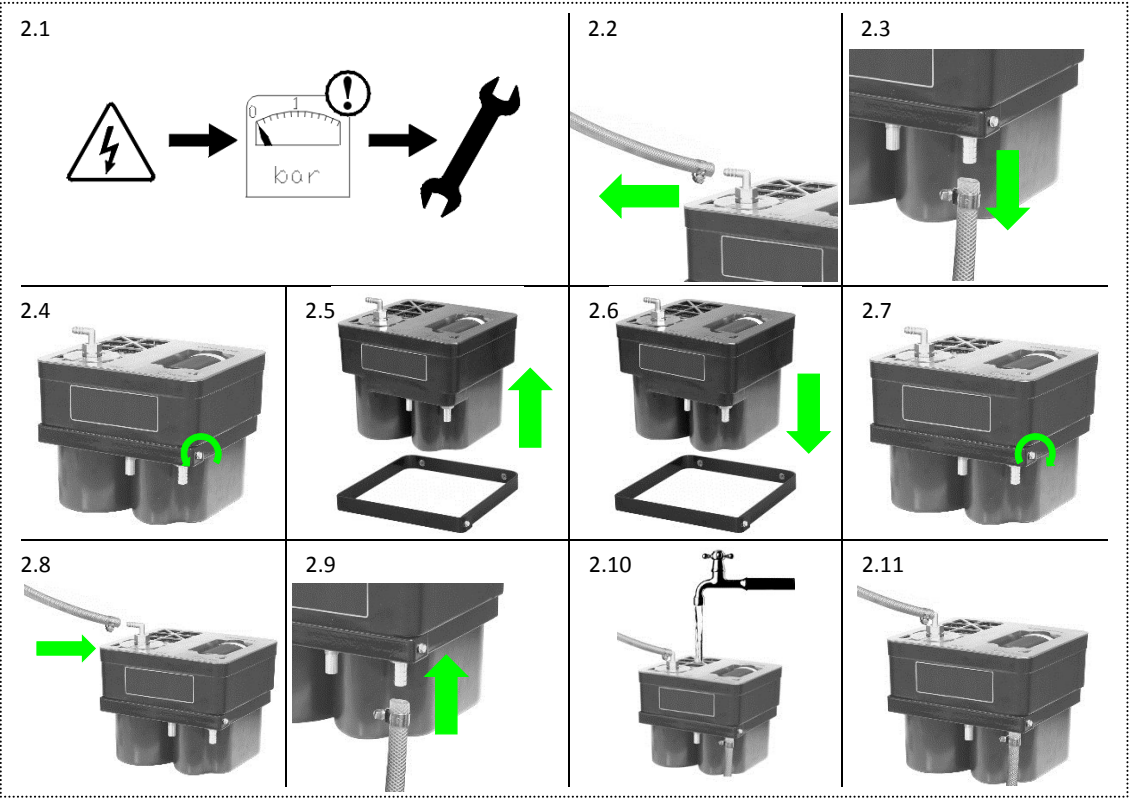
2.7 Fix the bracket and Condensate Cleaner by tightening the screws.

2.8 Reconnect the condensate collection pipe to the inlet.

2.9 Reconnect the outlet hose to the outlet connection.

2.10 Fill the Condensate Cleaner with water until it is filled and water flows out of the outlet point.

2.11 Your Condensate Cleaner is ready for operation!



TECHNICAL SPECIFICATIONS

Max. oil adsorption element's	Approx. 1,5 litre
Inlet connection	1/2" BSP
Outlet connection	1/2" BSP
Test drain	Yes
Housing material	ABS
Housing colour	Black
Lid colour	Grey
Mineral lubricants	Yes
Synthetic lubricants	Yes
Stabile condensate emulsions	Yes
Poly Glycol	Yes, <i>consult factory</i>
Max. compressor capacity	2 m ³ /min, <i>based on a 8 hours shift</i>

DIMENSIONS (mm)

