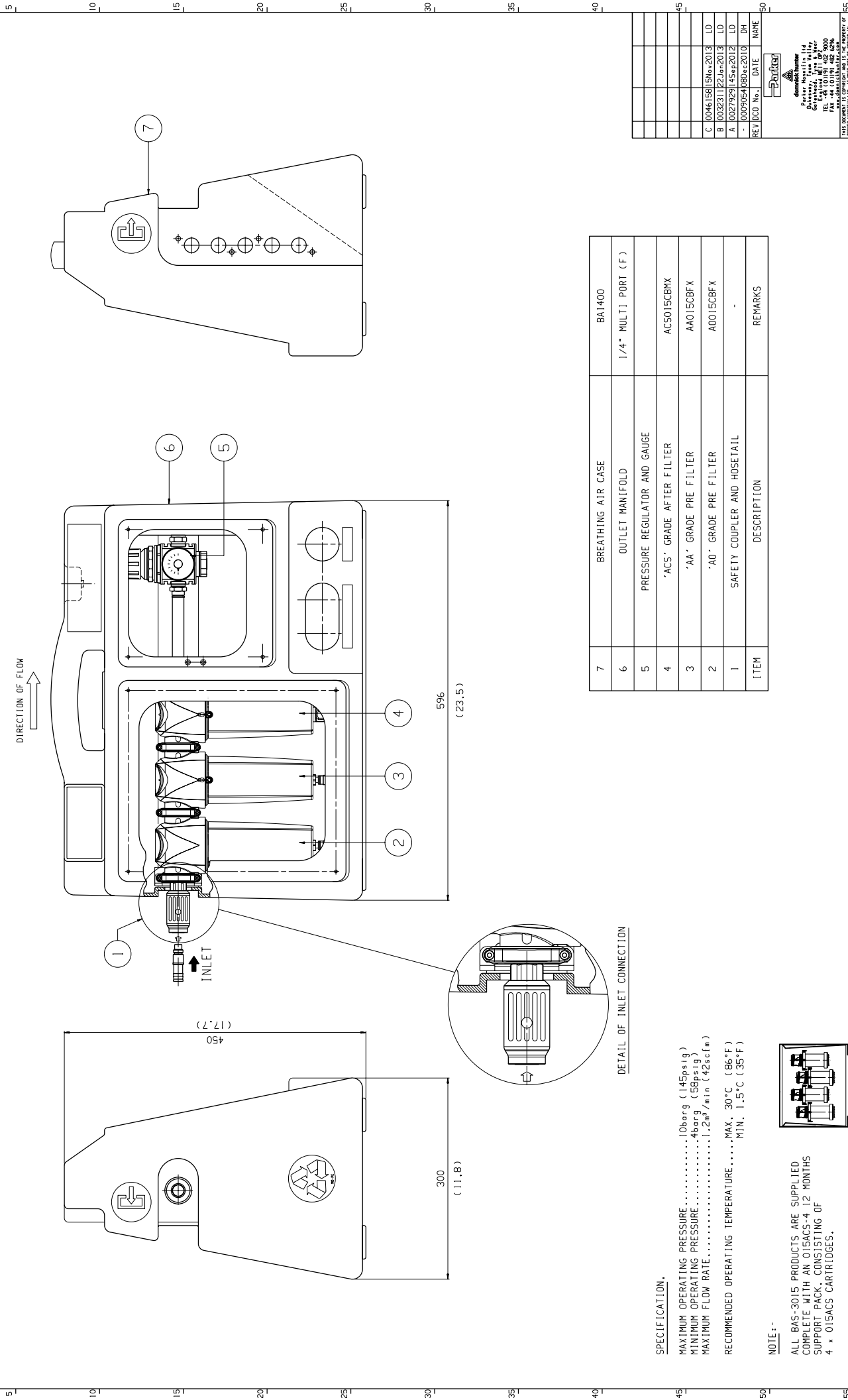


BASED ON B.S. 8888

DO NOT SCALE IF IN DOUBT ASK

DIMENSIONS IN MILLIMETRES

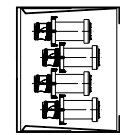


SPECIFICATION.

- MAXIMUM OPERATING PRESSURE.....10barg (145psig)
- MINIMUM OPERATING PRESSURE.....4barg (58psig)
- MAXIMUM FLOW RATE.....1.2m³/min (42scfm)
- RECOMMENDED OPERATING TEMPERATURE.....MAX. 30°C (86°F)
MIN. 1.5°C (35°F)

NOTE :-

ALL BAS-3015 PRODUCTS ARE SUPPLIED COMPLETE WITH AN 01SACS-4 12 MONTHS SUPPORT PACK, CONSISTING OF 4 x 01SACS CARTRIDGES.



ITEM	DESCRIPTION	REMARKS
7	BREATHING AIR CASE	BAI400
6	OUTLET MANIFOLD	1/4" MULTI PORT (F)
5	PRESSURE REGULATOR AND GAUGE	
4	'ACS' GRADE AFTER FILTER	AC5015CBMX
3	'AA' GRADE PRE FILTER	AA015CBFX
2	'AO' GRADE PRE FILTER	AO015CBFX
1	SAFETY COUPLER AND HOSETAIL	

DETAIL OF INLET CONNECTION



Parker
 Parker Hannifin Ltd
 Chesham, Bucks, UK
 Tel: +44 (0)1494 453000
 Fax: +44 (0)1494 482000
 Email: sales@parker.com

THIS DOCUMENT IS CONFIDENTIAL AND IS THE PROPERTY OF PARKER HANNIFIN LTD. IT IS TO BE KEPT IN STRICTLY CONFIDENTIAL AND NOT TO BE REPRODUCED OR TRANSMITTED IN ANY FORM OR BY ANY MEANS WITHOUT THE WRITTEN CONSENT OF THE COMPANY.

REV	DCO No.	DATE	NAME	NO.
				60

DRG. No.	101-10083
SHEET	1 of 1

SCALE	1 : 1
DATE	15/09/2011
BY	AK
CHECKED	ESR
APPROVED	ESR
TITLE	BAS-3015 SALES

MATERIAL	GEN. ARRGT.
SCALE	1 : 1

DATE	15/09/2011
BY	AK
CHECKED	ESR
APPROVED	ESR

MATERIAL	GEN. ARRGT.
SCALE	1 : 1

DATE	15/09/2011
BY	AK
CHECKED	ESR
APPROVED	ESR

MATERIAL	GEN. ARRGT.
SCALE	1 : 1

DATE	15/09/2011
BY	AK
CHECKED	ESR
APPROVED	ESR