

BASED ON B.S. 8888

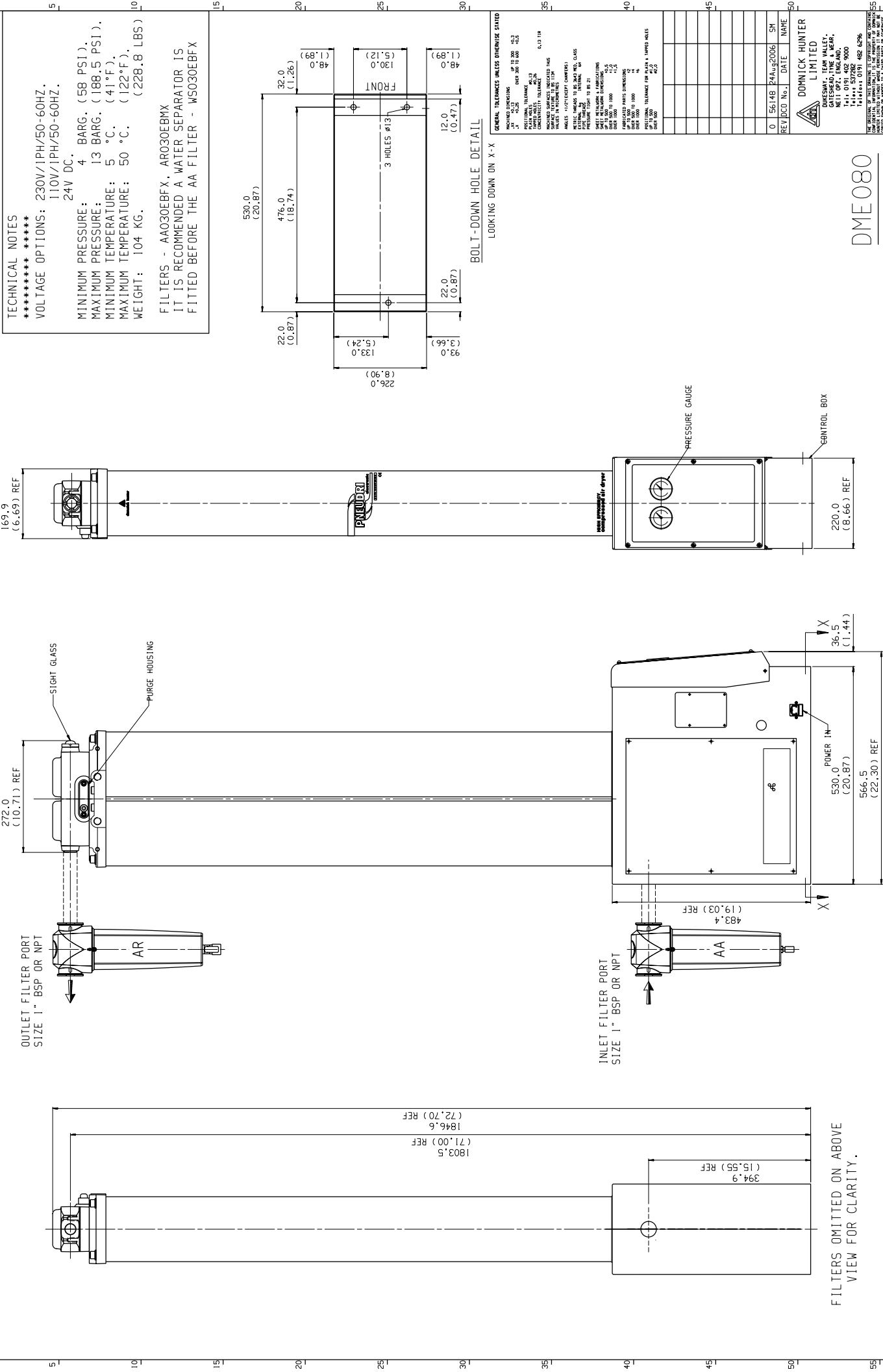
DO NOT SCALE IF IN DOUBT ASK

DIMENSIONS IN MILLIMETRES

TECHNICAL NOTES

 VOLTAGE OPTIONS: 230V/1PH/50-60HZ.
 110V/1PH/50-60HZ.
 24V DC.
 4 BARG. (58 PSI).
 13 BARG. (188.5 PSI).
 MINIMUM PRESSURE: 5 °C. (41°F).
 MAXIMUM PRESSURE: 50 °C. (122°F).
 MINIMUM TEMPERATURE: 50 °C. (122°F).
 MAXIMUM TEMPERATURE: 50 °C. (122°F).
 WEIGHT: 104 KG. (228.8 LBS).

FILTERS - AA030EBFX, AR030EBMX
 IT IS RECOMMENDED A WATER SEPARATOR IS
 FITTED BEFORE THE AA FILTER - W5030EBFX



GENERAL TOLERANCES UNLESS OTHERWISE STATED

MOVING DIMENSIONS	UP TO 300	±0.3
	300 TO 600	±0.5
	600 TO 900	±0.8
FIXED DIMENSIONS	UP TO 300	±0.2
	300 TO 600	±0.3
	600 TO 900	±0.5
ANGULAR DIMENSIONS		±0.1 PER DEGREE
CHAMFERED DIMENSIONS		±0.1 PER DEGREE
SPACED DIMENSIONS		±0.1 PER DEGREE
WELDED DIMENSIONS		±0.5 PER DEGREE
PERFORATED PARTS DIMENSIONS		±0.2 PER DEGREE
POSITIONAL TOLERANCE FOR PLATE & THREADED HOLES		±0.2 PER DEGREE

REV	DCO No.	DATE	NAME	SM
0	56.14B	24/AUG/2006		SM

DOMINICK HUNTER LIMITED
 GATERSHEAD, TYNE & WEAR,
 NE11 0PT, ENGLAND.
 T: +44 (0)191 482 9000
 F: +44 (0)191 482 6296
 E: sales@dominickhunter.com

THE DESIGN OF THIS DRAWING IS THE PROPERTY AND COPYRIGHT OF DOMINICK HUNTER LIMITED. NO PART OF THIS DRAWING IS TO BE REPRODUCED OR TRANSMITTED IN ANY FORM OR BY ANY MEANS, ELECTRONIC OR MECHANICAL, INCLUDING PHOTOCOPYING, RECORDING, OR BY ANY INFORMATION STORAGE AND RETRIEVAL SYSTEM, WITHOUT THE WRITTEN PERMISSION OF DOMINICK HUNTER LIMITED.

DME080

DRG. No	101-9276
SHEET	1 of 1
APPROVED	BY: [Signature]
CHECKED	BY: [Signature]
DATE	25/08/2006
SCALE	1 : 1
MATERIAL	GEN. ARRGT.
GEN. ARRGT.	
SCALE	1 : 1
DATE	25/08/2006
BY	[Signature]
CHECKED	[Signature]
APPROVED	[Signature]
TITLE	DME080 AA AND AR EVO FILTERS

FILTERS OMITTED ON ABOVE VIEW FOR CLARITY.